



WINDOW TECHNOLOGY  
DOOR TECHNOLOGY  
AUTOMATIC ENTRANCE SYSTEMS  
BUILDING MANAGEMENT SYSTEMS



DOOR TECHNOLOGY – ORDER CATALOG | SECTION 03.9



## FERCO & GU hinges for Wood, PVC & Aluminum

Securing technology for you







# 03.9

## FERCO & GU hinges for Wood, PVC & Aluminum

|                                 |         |
|---------------------------------|---------|
| 3D Adjustable Butt Hinges ..... | 03.9.5  |
| Drill-in Hinges.....            | 03.9.6  |
| GU Hinges.....                  | 03.9.11 |

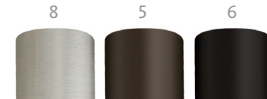


# 3D Adjustable Butt Hinges



### Three-way 4" x 4" Adjustable Hinges (Box of 3 Hinges)

| Description   | PU | Part Number      |
|---|----|------------------|
| Square + round corners                                | 1  | 6-C8070-AZ-L/R-8 |
| Square + round corners                                | 1  | 6-C8070-AZ-L/R-6 |
| Round + round corners                                 | 1  | 6-C8072-AZ-L/R-8 |
| Round + round corners                                 | 1  | 6-C8072-AZ-L/R-5 |
| Round + round corners                                 | 1  | 6-C8072-AZ-L/R-6 |
| PU = Packaging Unit                                   |    |                  |
| 8 = Stainless Steel, 5 = Dark Bronze PC, 6 = Black PC |    |                  |

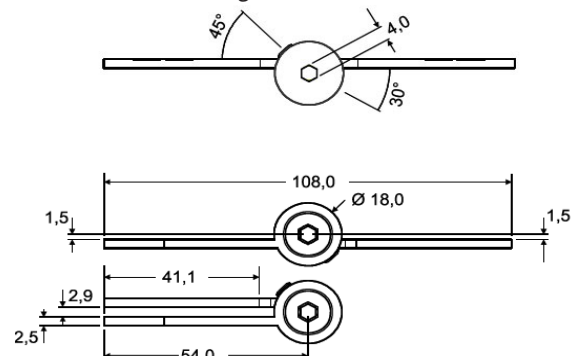
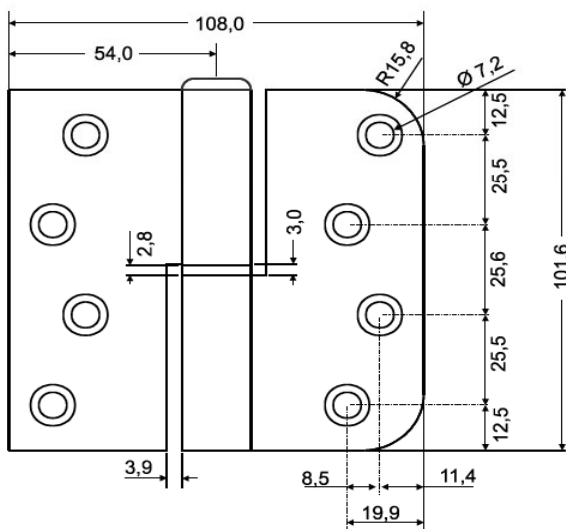


### The perfect solution to numerous hinge applications

- High-end 4" x 4" hinge that requires no special routing or preparation
- Provides an excellent solution for solving tricky field service problems due to its ability to be a drop in replacement for standard butt hinges
- Three-way adjustments for increase or decrease weather seal pressure on the panel
- Door panel adjustment can be done with door in closed position eliminating any adjustment guesswork
- No need for NRP due to unique barrel design

#### Additional information

- Made of 304 stainless steel
- Standard 4" x 4" size
- Frame leaf with rounded corners 5/8" R
- Door leaf with square corners or rounded corners
- Adjustable 3 ways:
  - Lateral  $\pm 2$ mm
  - Depth  $\pm 2$ mm
  - Height -2mm, +5mm
- For inswing or outswing doors
- #10 x 5/8", 3/4" and 1 1/4" stainless steel flat head screws with Quadrex socket are included
- Black adjustment bushings are included
- Allen keys are included
- Tested at 125lbs according to BHMA/ANSI A156.1 Grade 3



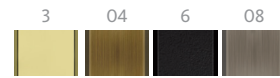


### Non-Adjustable Side Hung Sash Hinge - For Timber Elements

| Description    | Color         | PU  | Part Number    |
|----------------|---------------|-----|----------------|
| Drill-In Hinge | Bi- Chromated | 100 | 6-C8840-13-0-3 |
| Cover          | *             | 25  | 9-C8842-00-P-* |

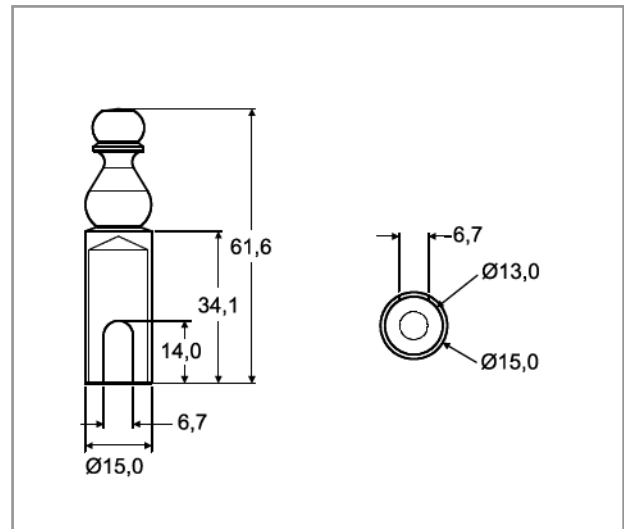
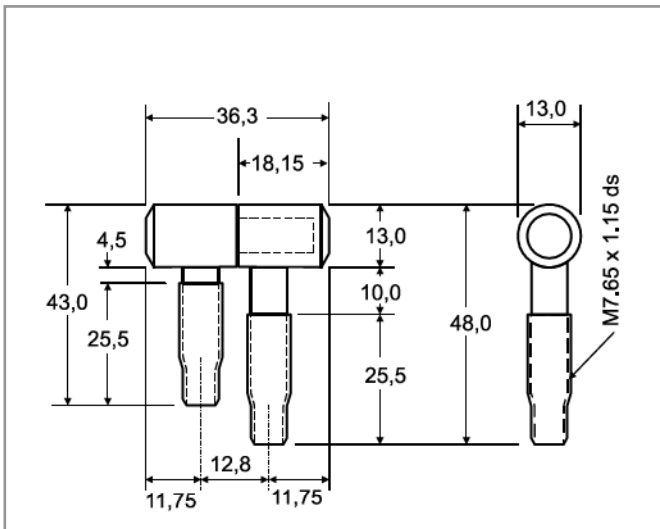
\* = Color      PU = Packaging Unit

3 = Polished Brass, 04 = Antique Brass, 6 = Black, 08 = Pewter



### Additional information

- Hinge made of steel
- 2 parts for sash with 2 hinges up to 80kg
- Cover made of solid brass
- Lacquered surface
- Used for overlap wood sashes





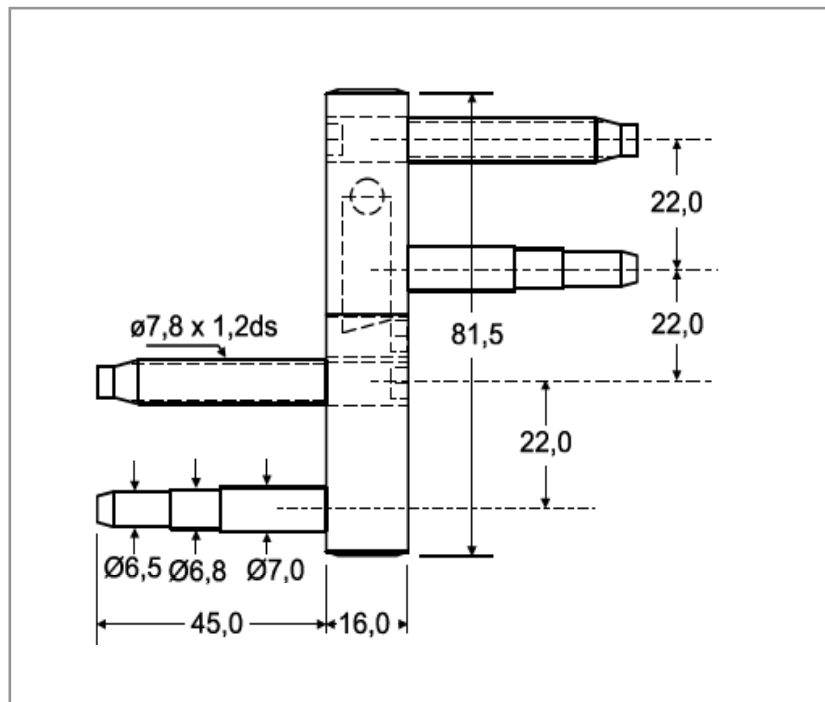
Safety set screw

### 3D Adjustable Drill-in Hinge - For Timber Elements

| Description                | Color         | PU | Part Number    |
|----------------------------|---------------|----|----------------|
| Inside Installation Hinge  | Bi- Chromated | 50 | 6-C8835-00-0-3 |
| Outside Installation Hinge | Zinc          | 50 | 6-C8836-00-0-1 |
| PU = Packaging Unit        |               |    |                |

#### Additional information

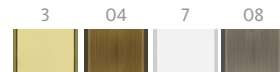
- Hinge made of steel
- Pivoting on nylon bushings
- Door hinge for timber sashes up to 130kg
- Adjustable on 3 axes





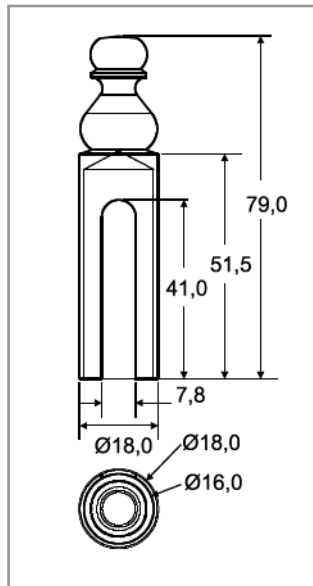
### Cover for 3D Adjustable Drill-in Hinge - For Timber Elements

| Description  | PU | Part Number         |
|--|----|---------------------|
| Cover  | 25 | 9-C8839-00-P-*      |
| * = Color  |    | PU = Packaging Unit |
| 3 = Polished Brass, 04 = Antique Brass, 7 = White, 08 = Pewter |    |                     |



#### Additional information

- Safety set screw on model 6-C8836 for outside installation
- Cover made of solid brass
- Lacquered surface
- Use with 3D Adjustable Drill-in hinge 6-C8835-00-0-3
- Cover 9-C8839-00-P-\* available in finish 3, 04 and 08







Safety set screw

### 3D Adjustable Drill-in Hinge - For PVC Elements

| Description               | Color        | PU                  | Part Number    |
|---------------------------|--------------|---------------------|----------------|
| Inside Installation Hinge | Bi-Chromated | 50                  | 6-C8835-00-0-3 |
| * = Color                 |              | PU = Packaging Unit |                |

#### Additional information

- Hinge made of steel
- Pivoting on nylon bushings
- Door hinge for timber sashes up to 130kg
- Adjustable on 3 axes

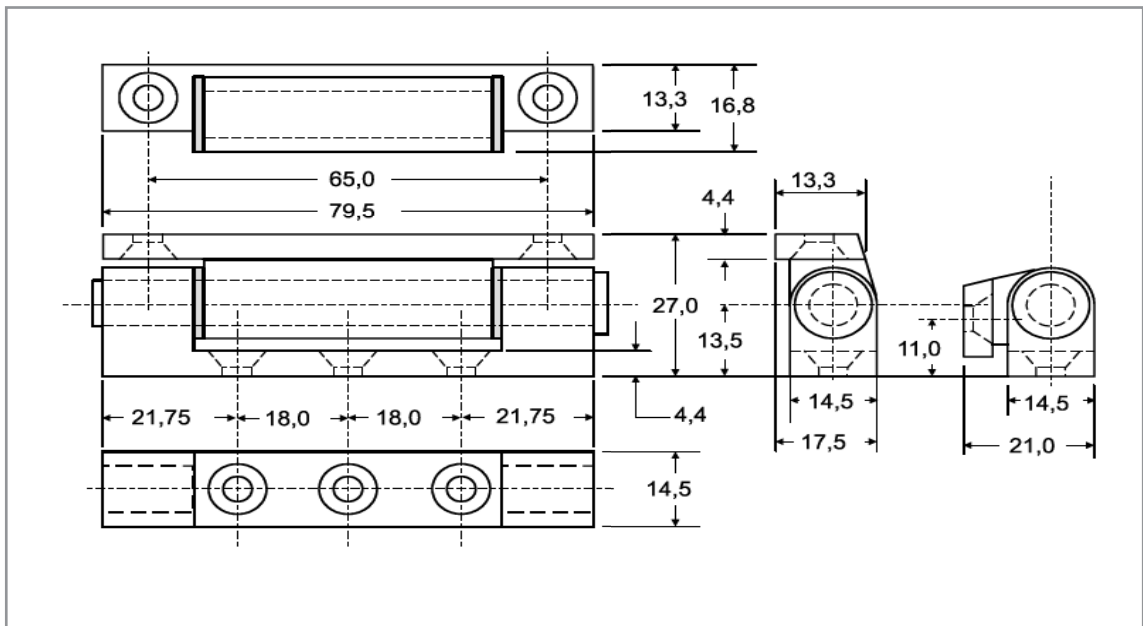


### Light Duty Butt Hinge - For PVC Elements

| Description         | PU | Part Number    |
|---------------------|----|----------------|
| Butt Hinge          | 25 | 6-C8830-00-0-7 |
| PU = Packaging Unit |    |                |

### Additional information

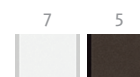
- Produced from high quality zinc die cast
- Pivoting on nylon bushings
- Stainless Steel securing pin
- Door hinge for sashes up to 60kg
- Suitable for side hung sash windows and light doors





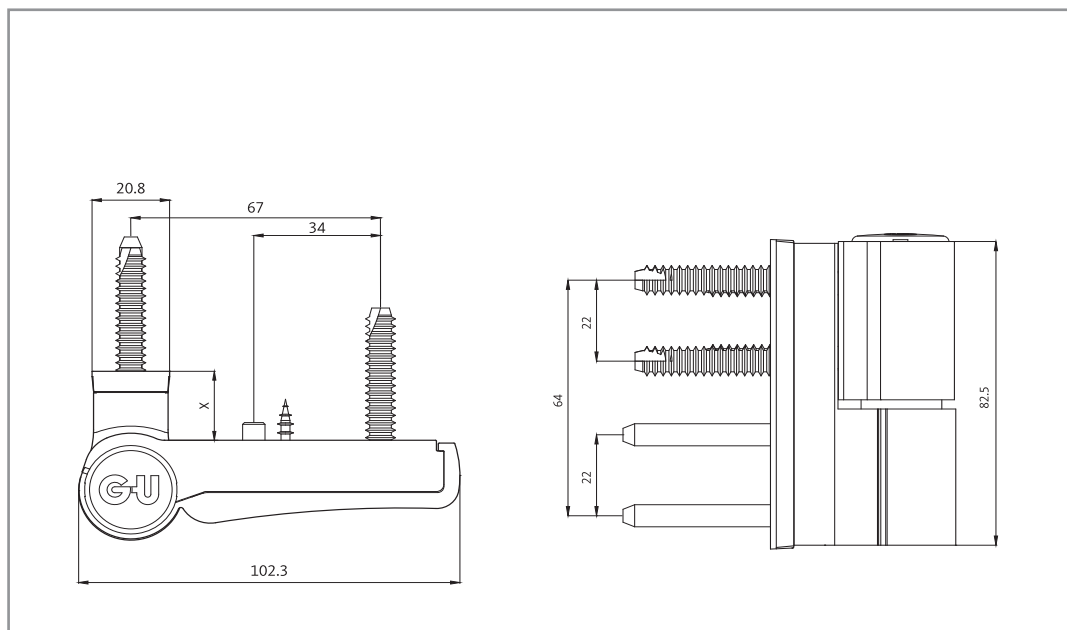
### Door hinges for elements of up to 120 kg - For PVC Elements

| Description                       | Overlap (mm) | PU                  | Part Number    |
|-----------------------------------|--------------|---------------------|----------------|
| GU G 812 - Individual pack        | 13.5 - 19.5  | 1                   | H-01404-00-0-* |
| GU G 812 - Multi-pack             | 13.5 - 19.5  | 24                  | H-01404-24-0-* |
| Drilling jig for the above hinges | -            | 1                   | H-01407-00-0-0 |
| * = Color                         |              | PU = Packaging Unit |                |
| 7 = White, 5 = Brown              |              |                     |                |



#### Additional information

- Simple service-friendly one-man-installation
- 3D adjustment using only one tool, no need to unhinge or support the element
- Simple installation requiring only 1 drill bit size
- Linear horizontal adjustment
- Hardened security pin
- Can withstand high loads up to 120 kg, depending on the profile design



#### Adjustment options

- Horizontal adjustment:  $\pm 4$  mm
- Vertical adjustment: +4 mm / -1 mm
- Gasket pressure adjustment: +1.5 mm / -1 mm



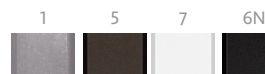


### Door hinges for elements of up to 160 kg - For PVC Elements

| Description               | Overlap (mm) | PU | Part Number   |
|---------------------------|--------------|----|---|
| GU G 816 -Individual pack | 13.5 - 19.5  | 1  | H-01408-00-0-7                                      |
| GU G 816 - Multi-pack     | 13.5 - 19.5  | 24 | H-01408-24-0-1<br>H-01408-24-0-6N<br>H-01408-24-0-7 |
| GU G 816 -Individual pack | 17 - 23      | 1  | H-01409-00-0-7                                      |
| GU G 816 -Multi-pack      | 17 - 23      | 24 | H-01409-24-0-1<br>H-01409-24-0-7<br>H-01409-24-0-9  |

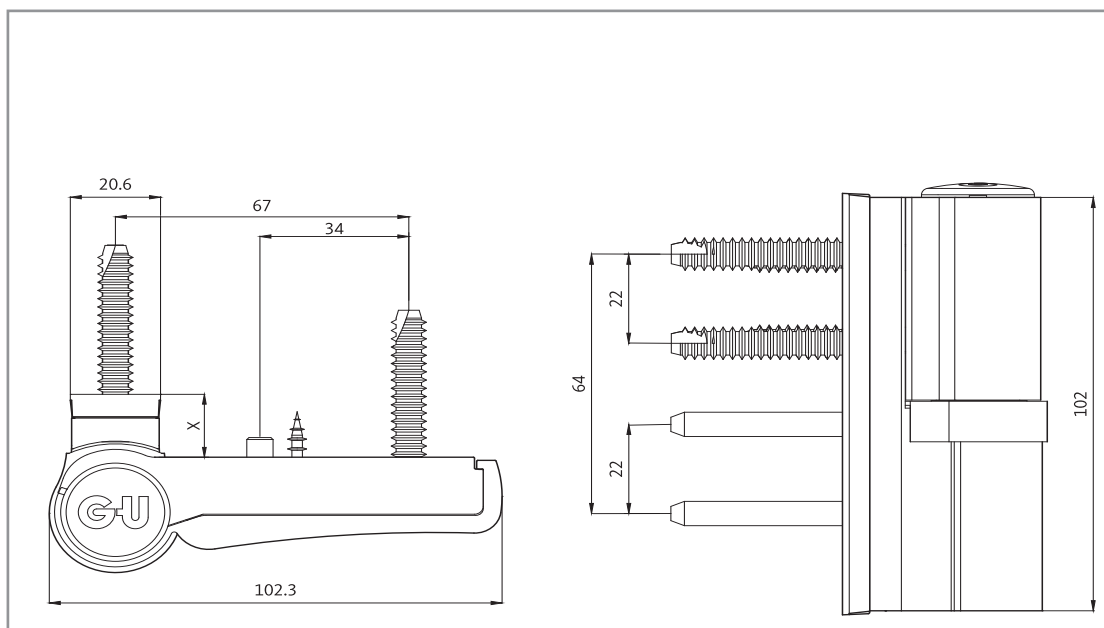
\* = Color      PU = Packaging Unit

1 = EV1 Anodised, 5 = Brown, 7 = White, 6N = Black, 9 = Finish On Demand



#### Additional information

- Simple service-friendly one-man-installation
- 3D adjustment using only one tool, no need to unhinge or support the element
- Simple installation requiring only 1 drill bit size
- Linear horizontal adjustment
- Hardened security pin
- Can withstand high loads up to 160 kg, depending on the profile design



#### Adjustment options

- Horizontal adjustment:  $\pm 4$  mm
- Vertical adjustment: +4 mm / -1 mm
- Gasket pressure adjustment: +1.5 mm / -1 mm



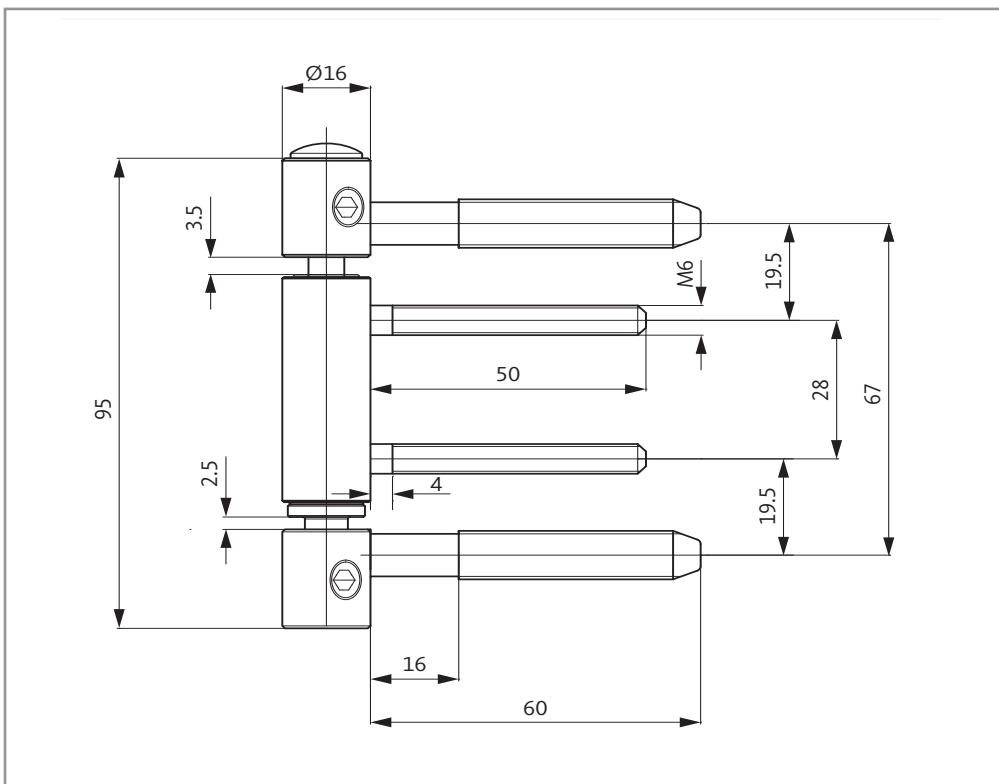


**GU D 312-16 3D – Drill-in hinge - up to 120 kg - For Timber Elements**

| Description                                   | PU | Part Number      |
|---|----|------------------|
| GU D 312-16 3D with secured pins - Galvanised | 1  | H-01700-00-L/R-1 |
| PU = Packaging Unit                           |    |                  |

**Additional information**

- For timber elements with particularly low overlap height and overlap gasket
- Can also be used on narrow sashes
- 3D adjustment possible
- Maintenance-free bearing system
- **Technical data :**
  - Hinge Ø 16 mm
  - Length of roll 95 mm
  - Leaf pins 6.0 x 50 mm
  - Frame pins 9.8 x 60 mm



**Adjustment options**

- Horizontal adjustment: ± 4 mm
- Vertical adjustment: +3 mm / -2.5 mm
- Gasket pressure adjustment: ±4 mm



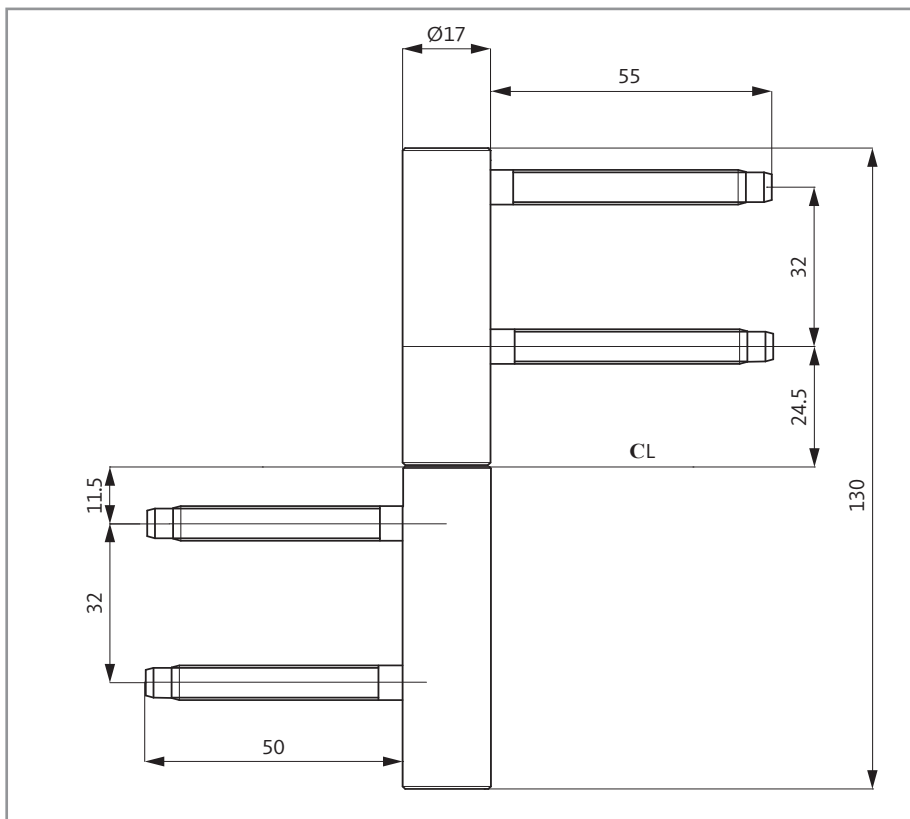


**GU D 212-17 3D – Drill-in hinge - up to 120 kg - For Timber Elements**

| Description                 | PU | Part Number    |
|-----------------------------|----|----------------|
| GU D 212-17 3D - Galvanised | 10 | H-01727-00-0-1 |
| PU = Packaging Unit         |    |                |

**Additional information**

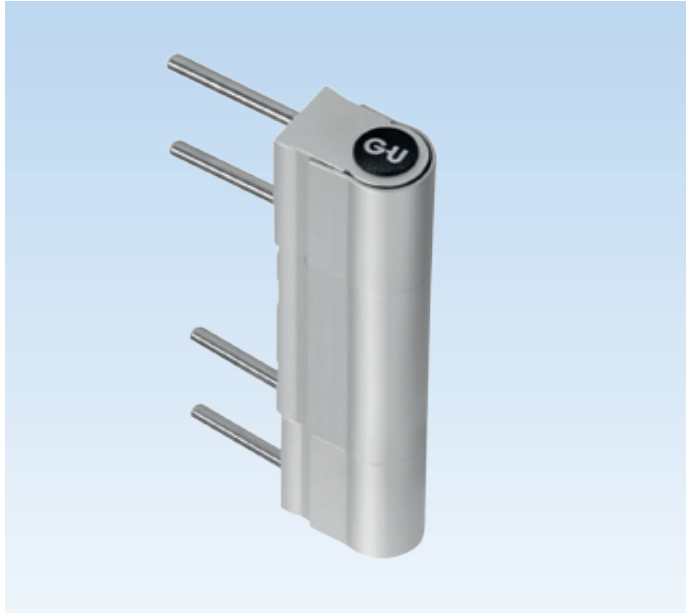
- For rebated timber elements
- Durable fixing using two threaded bolts respectively
- Additional threaded coupling at the top threaded bolt to stabilize the door hinge
- Comes with threaded coupling as standard
- 3D adjustment possible
- Maintenance-free bearing system lift off hinge
- Lift off hinge
- **Technical data :**
  - Hinge Ø 17 mm
  - Length of roll 130 mm
  - Leaf pins 8.0 x 55 mm
  - Frame pins 8.0 x 50 mm



**Adjustment options**

- Horizontal adjustment: ± 4 mm
- Vertical adjustment: +2.5 mm / -2 mm
- Gasket pressure adjustment: ±4 mm





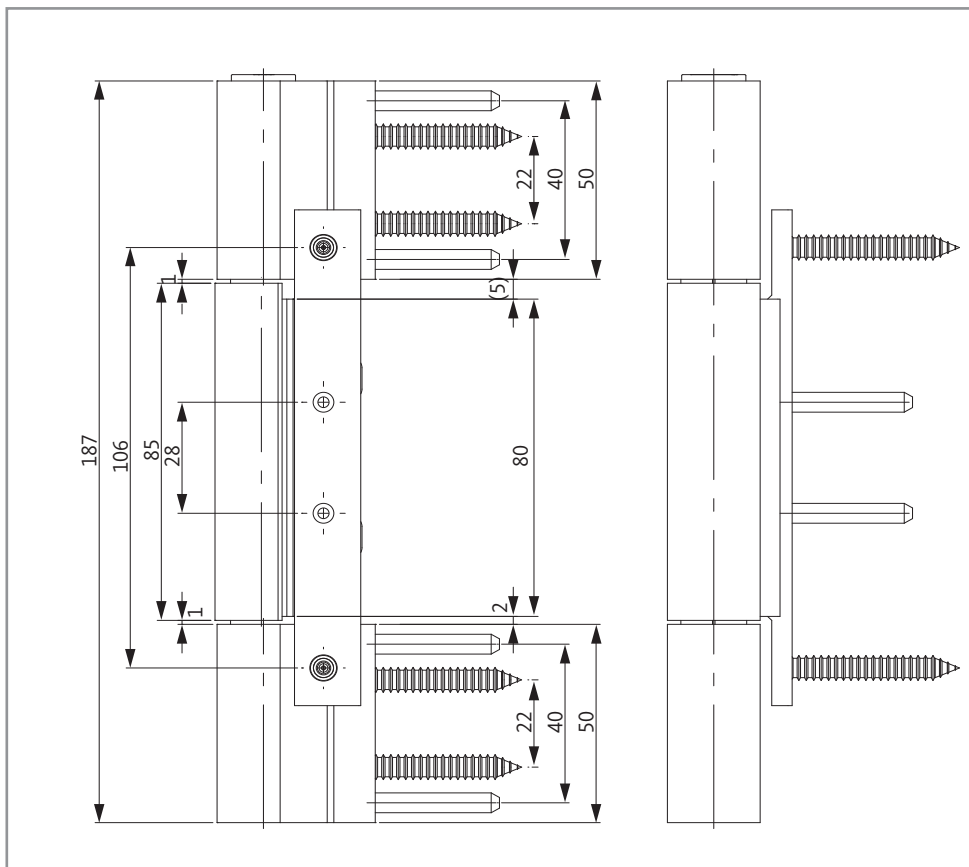
### GU R 816 3D – Barrel hinge - up to 160 kg - For PVC Elements

| Description                | Overlap (mm) | PU                  | Part Number    |
|----------------------------|--------------|---------------------|----------------|
| GU R 816 3D - Barrel Hinge | 16 - 21      | 1                   | H-01797-00-0-1 |
| * = Color                  |              | PU = Packaging Unit |                |

#### Additional information

- Simple service-friendly one-man-installation
- Slender and round – hinge diameter of only 22 mm
- Can be quickly and conveniently adjusted in three dimensions
- No barrel offset following lateral adjustment
- Increased burglar resistance, SKG-certified
- Hardened security pin
- Optional fixing accessories
- Can withstand high loads up to 160 kg, depending on the profile design

03  
9



#### Adjustment options

- Horizontal adjustment:  $\pm 3$  mm
- Vertical adjustment: +4 mm / -1 mm
- Gasket pressure adjustment: -1 mm



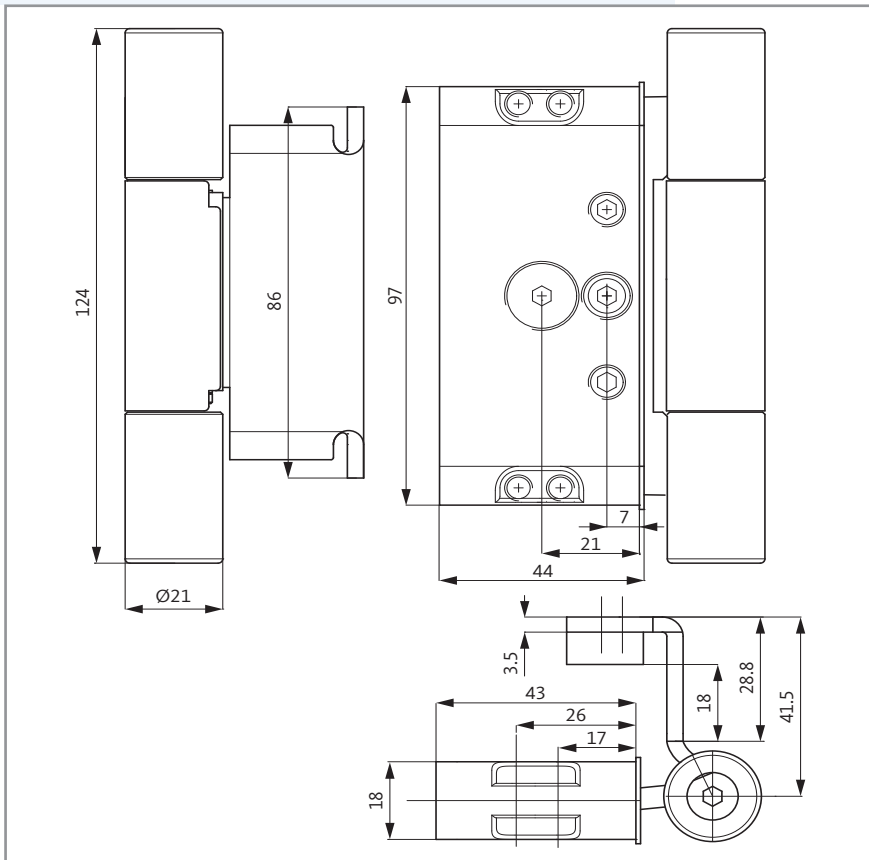


### GU M 516 3D – Mill-in hinge - up to 200 kg - For Timber Elements

| Description   | PU | Part Number         |
|---|----|---------------------|
| GU M 516 3D matt stainless steel without gasket-guide | 6  | H-01662-06-L/R-8    |
| * = Color   |    | PU = Packaging Unit |

#### Additional information

- Increased burglar resistance, can be used for system tests according to EN 1627 and seq./RC 3
- CE-certified according to EN 1935, can be used for doors in escape and rescue routes
- Can be quickly and conveniently adjusted in three dimensions and independently from each other
- Stable hinge seating during and after setting the door-hinges
- Can continuously withstand high loads
- Individual gasket-guide can be used for almost all rebate systems



#### Adjustment options

- Horizontal adjustment:  $\pm 2.5$  mm
- Vertical adjustment: +4 mm / -2 mm
- Gasket pressure adjustment: +3 mm / -1 mm







WINDOW TECHNOLOGY  
DOOR TECHNOLOGY  
AUTOMATIC ENTRANCE SYSTEMS  
BUILDING MANAGEMENT SYSTEMS

QUÉBEC / MARITIMES

Ferco Ferrures de Bâtiment Inc.  
2000, Rue Berlier  
Laval, QC H7L 4S4  
Canada

T 450 973-1437  
1 800 355-8810  
F 450 973-7661  
ferco@ferco.ca

ONTARIO / WESTERN PROVINCES

Ferco Architectural Hardware Inc.  
T 905 282-9588  
1 800 668-5310  
F 905 282-9915

UNITED STATES

Ferco Architectural Hardware Inc.  
T 1 800 927-1097  
F 1 888 454-0161

[www.ferco.ca](http://www.ferco.ca)

Securing technology for you

