



WINDOW TECHNOLOGY  
DOOR TECHNOLOGY  
AUTOMATIC ENTRANCE SYSTEMS  
BUILDING MANAGEMENT SYSTEMS



WINDOW TECHNOLOGY – ORDER CATALOG | SECTION 06.2



## Tilt&Turn Hardware – UNI-JET SCF PVC



Securing technology for you





# 06.2

## UNI-JET SCF PVC

DIRIGENT T&T Handle .....	06.2.5
LENTO T&T Handle .....	06.2.6
Tilt&Turn Sash .....	06.2.7
Turn-only Sash .....	06.2.13
Dummy-mullion Sash with ZH Lever-operated Gear .....	06.2.17
Jigs .....	06.2.19
Accessories .....	06.2.21

# UNI-JET Hardware System

## Product Information



### Application

Applications for UNI-JET Tilt&Turn and Turn-Only hardware:

- One sash windows and balcony doors
- Double sash windows and balcony doors without mullion
- Lockable one sash balcony doors
- Lockable double sash balcony doors without mullion
- Arched and pitched windows

### UNI-JET locking systems with automatic locking cam

UNI-JET locking systems are concealed in the rebate and operated with a single handle. All components are designed for a 16.2mm wide and 2.5mm deep hardware groove.

#### Locking cams

The locking cams of drive gears, stays, centre locks and corner drives are adjustable with Torx 15 and supported with springs to compensate for clearances, the spring travel is 1.2mm.

#### Snap-in and coupling connections

The drive gear and stay arm connections can be snapped into the centre locks. The connecting rods are coupled by means of double-sided teathed couplings, secured by means of overlapping gears.

All croppable locking components are fixed in Turn-Only position (installation position), corner drives and centre locks feature 4-leaf stainless steel springs.

### UNI-JET Tilt&Turn stays with integrated night vent

Tilt&Turn stays with optional night ventilation spring allow for one level or two level night ventilation positions. The stays feature an anti-slam device.

### The UNI-JET locking standard is "basic security"

The standard version of UNI-JET locking systems is "basic security". A Sec mushroom cam striker of steel is mounted horizontally at the bottom near the drive gear side in order to provide enhanced anti-jemmy security in this vulnerable area; this applies to all opening methods.

### Abbreviations

HH	Handle height
VHH	Variable handle height
LC	Locking cam
PC	Profile cylinder
Sec	Security hardware
SRH	Sash rebate height
SRW	Sash rebate width
ST	Sash thickness
T&T	Tilt&Turn
T-F	Tilt-First

### Hinge side versions

#### UNI-JET SCF

Fully concealed Tilt&Turn and Turn-Only hardware systems for windows with/without sash overlap

Hardware system with fully concealed pivot rest and stay bearings for windows with sash overlap. For timber and timber-aluminum compound windows and balcony doors with 12mm clearance. Sash weight up to 130kg, 3-way adjustable pivot rest.

#### Strikers, packers

The strikers and packers for different frame profiles must be selected according to table.

#### Drilling jigs, templates

Drilling jigs and templates required for hardware installation are specified in the installation drawings.

#### DIRIGENT turn handles

The attachment of the aluminum turn handles is concealed. The handle rosettes are provided with a study detent mechanism and fixed lugs. Lockable handles and service handles complete the turn handle range.

#### Standard surface sealing of Tilt&Turn hardware: ferGUard silver

The hardware components are made of high quality steel, zinc die cast and aluminum alloys. All locking components of Tilt&Turn hardware come with ferGUard silver surface sealing.

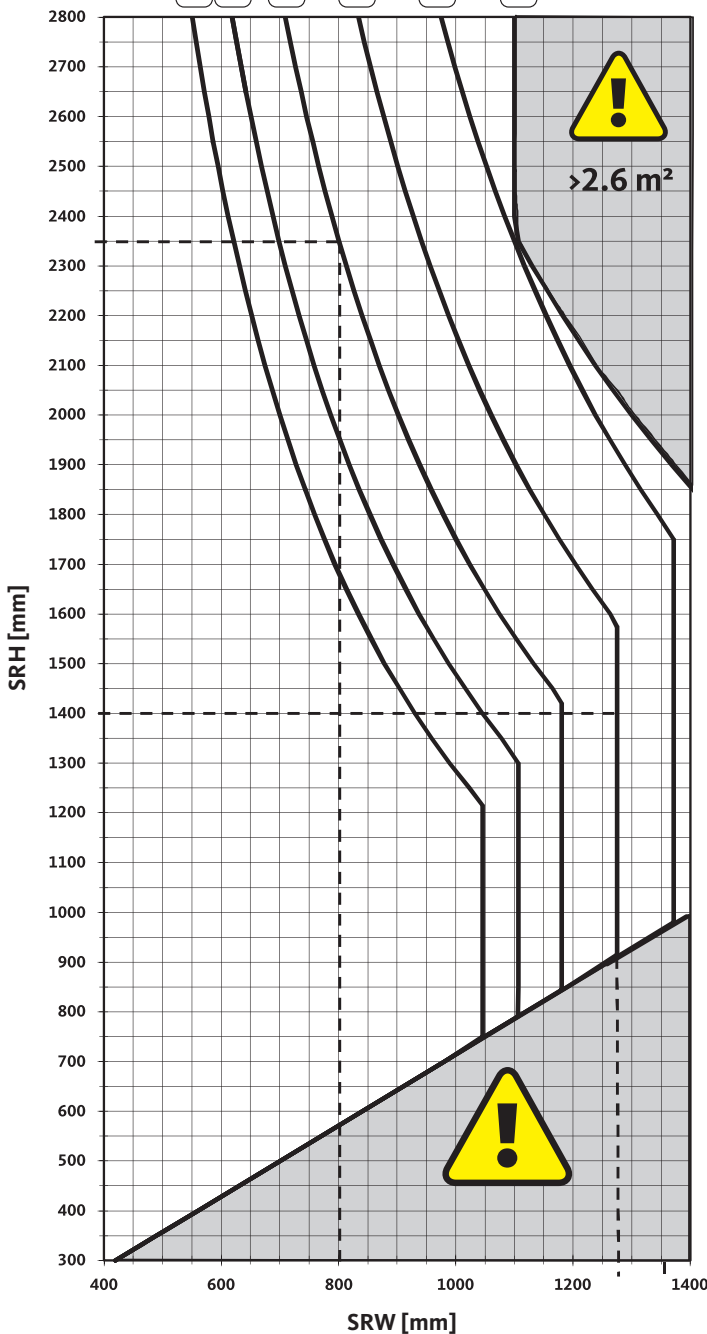
# Application Diagram UNI-JET SCF

Turn-only / Tilt&Turn Sash – Drawing No. 0-47359



## Infill weight

16.4 lb/ft <sup>2</sup>	14.3 lb/ft <sup>2</sup>	12.3 lb/ft <sup>2</sup>	10.2 lb/ft <sup>2</sup>	8.6 lb/ft <sup>2</sup>	7.9 lb/ft <sup>2</sup>
80 kg/m <sup>2</sup>	70 kg/m <sup>2</sup>	60 kg/m <sup>2</sup>	50 kg/m <sup>2</sup>	42 kg/m <sup>2</sup>	38 kg/m <sup>2</sup>



## Application diagram

- Verifications regarding the attachment of load-bearing components to the window system by the window fabricator according to TBDK with the following forces:
  - 3525 N at the stay-bearing
  - 3760 N at the pivot-rest
- Glass reduction GR ≥ 28 mm
- Profile weight PW ≤ 3.25 kg/m

## Attention

The maximum sash weight of 130 kg is only permitted in certain areas of the application diagram. Only sash formats to the left of the respective glass weight graph are permissible.

■ Format not permitted in the grey area.

## Reading examples

- Infill II weight = 60 kg/m<sup>2</sup>  
With SRW = 800 mm, the SRH max. = 2350 mm, which corresponds to a maximum sash weight of 123 kg.
- Infill II weight = 50 kg/m<sup>2</sup>  
With an SRW = 1275 mm, the max. SRH = 1400 mm, which corresponds to a maximum sash weight of 100 kg.

This application diagram is only valid in conjunction with the corresponding installation drawings 0-47107-DD.

For notes on intended use, see 0-46789.

## Test and calculation basis

- Tilt&Turn test according to QM 328 or RAL GZ 607/3 Appendix 2:
  - 15,000 Tilt&Turn cycles
  - 10,000 Turn-Only cycles
- Test formats:
  - SRW 900 x SRH 2300 : 130 kg
  - SRW 1300 x SRH 1200 : 100 kg

# DIRIGENT

## Tilt&Turn Handle



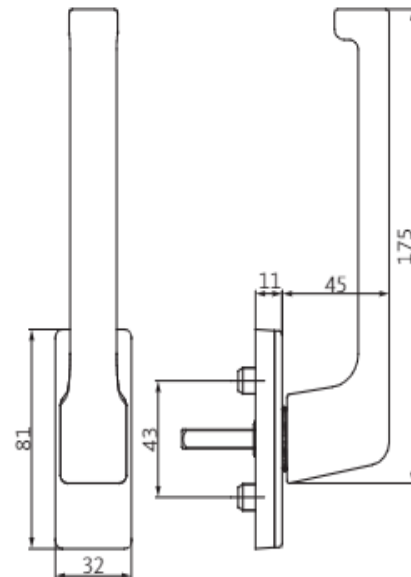
### DIRIGENT Handle

Description	PU	Part Number
<b>Sash Thickness 60mm</b>		
Handle with 7 x 33mm spindle	20	6-28072-33-0-*
M5 x 40mm screws (two required)	100	9-C5129-40-0-1
<b>Sash Thickness 70mm</b>		
Handle with 7 x 38mm spindle	20	6-28072-38-0-*
M5 x 50mm screws (two required)	100	9-C5129-50-0-1
PU = Packaging Unit, * = Color		
11 = Silver, 5 = Dark Brown, 6 = Black, 7 = White		



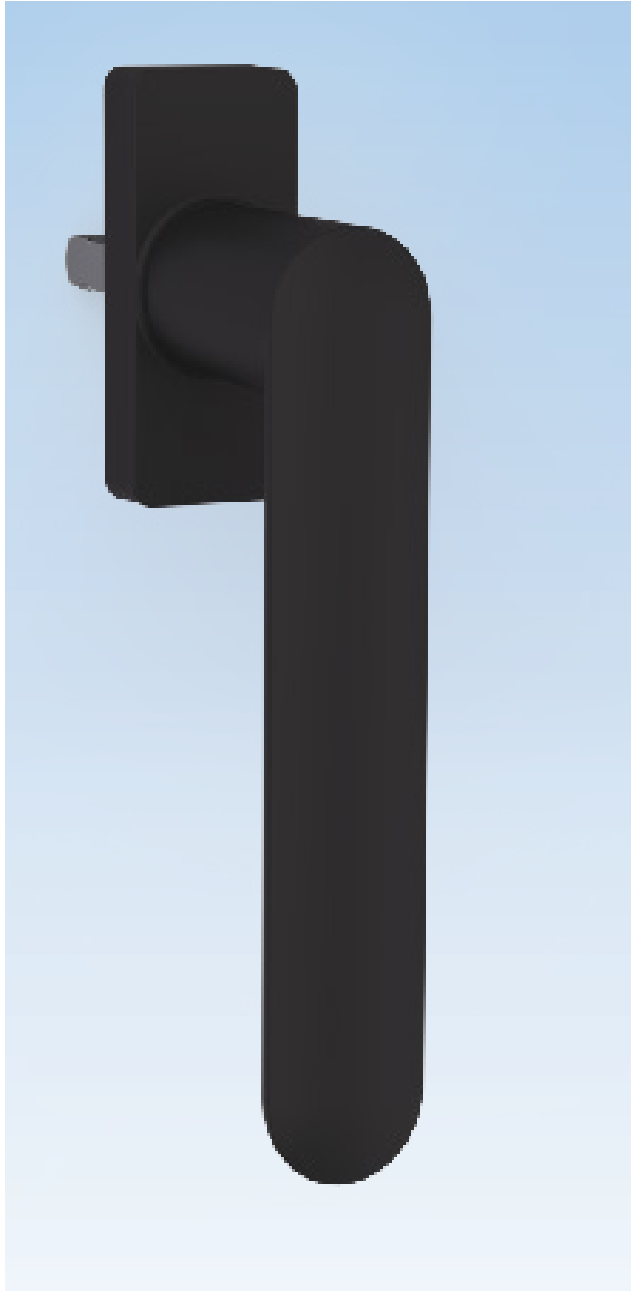
### Additional information

- Made of zinc die cast and aluminum
- Available in different finishes or white powder coated
- Installation screws are not included



# LENTO

## Tilt&Turn Handle



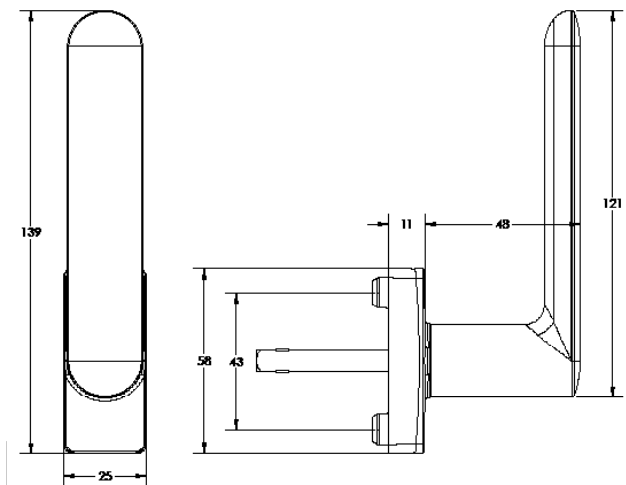
### LENTO Handle

Description	PU	Part Number
Handle with 7 x 40mm spindle	20	G-25676-40-0-*
* = Color		PU = Packaging Unit
C = Titanium, 7 = White, 6V = Flat Black		



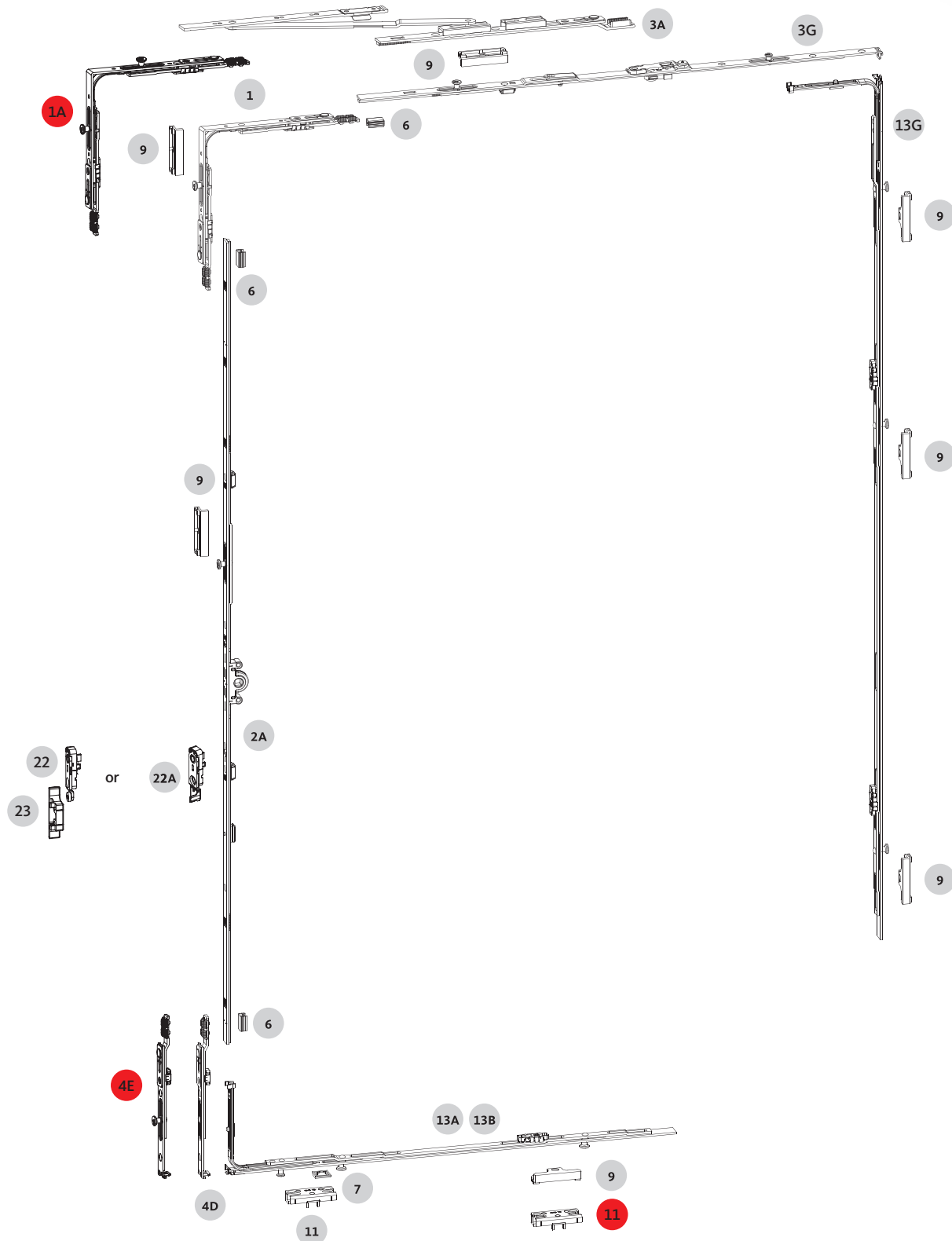
### Additional information

- Made of zinc die cast and aluminum
- Available in different painted and powder coated finishes
- Adjustable spindle from 10mm to 40mm
- Screws are included



# UNI-JET SCF Central Locking System

Tilt&Turn Sash – Variable Handle Height



06  
2

# UNI-JET SCF Central Locking System

Tilt&amp;Turn Sash – Variable Handle Height



## Standard Corner Transmission – Top

Item	SRW	SRH	LC	PU	Part Number
1	400-1600	391-2800	1	10	6-32021-00-0-1

## Security Corner Transmission – Top (Optional)

Item	SRW	SRH	LC	PU	Part Number
1A	400-1600	391-2800	2	10	6-31753-00-0-1

## T&T Gear 15 Backset – Variable Handle Height

Item	SRH	Length	G	LC	PU	Part Number
2A	350-450 [1]	363	155	-	10	G-22120-00-0-1
	480-590	270	240-295	-	10	G-22080-00-0-1
	591-750	430	295-375	-	10	G-22081-00-0-1
	751-1200	880	375-600	1	10	G-22082-00-0-1
	951-1450	1130	457-725	1	10	G-22083-00-0-1
	1201-1700	1380	600-850	2	10	G-22084-00-0-1
	1451-1950	1630	725-975	2	10	G-22085-00-0-1
	1951-2500	2130	975-1225	3	10	G-22086-00-0-1
[1] Optional fixed						

## Standard Gear Connector 180° – Bottom

Item	SRH	Length	LC	PU	Part Number
4D	480-2800	160	-	10	6-32303-00-0-1

## Security Gear Connector 180° – Bottom (Optional)

Item	SRH	Length	LC	PU	Part Number
4E	480-2800	160	1	10	6-33205-00-0-1

## T&T Centre-lock – Bottom Horizontal

Item	SRW	Length	LC	PU	Part Number
13B	280-750	215	1	10	6-32012-00-0-1
13A	751-950	530	2	10	6-32076-05-0-1
	951-1200	740	2	10	6-32076-07-0-1
	1201-1600	1050	3	10	6-32076-10-0-1

## Stay-guide

Item	SRW	Length	LC	PU	Part Number
	300-420 [2]	370	-	10	6-39074-03-0-1
	421-500 [3]	590	-	10	6-39074-06-0-1
	501-750	590	-	10	6-39074-06-0-1
	751-1000	840	1	10	6-39074-08-0-1
	951-1200	1040	1	10	6-39074-10-0-1

## Additional Stay for Tilt&Turn [4] [5]

Item	SRW	Length	LC	PU	Part Number
3A	1201-1400	250	-	10	6-39731-00-0-1
[4] To be used with 6-39074-10-0-1					

## Security Centre-lock – Hinge Side

Item	SRH	Length	LC	PU	Part Number
13G	360-730	220	1	10	6-32010-00-0-1
	451-720	330	2	10	6-32008-03-0-1
	721-1100	530	2	10	6-32008-05-0-1
	721-1350	740	2	10	6-32008-07-0-1
	1351-1700	1190	3	10	6-32008-12-0-1
	1701-2100	1450	3	10	6-32008-15-0-1
	2101-2500	1890	4	10	6-32008-19-0-1



# UNI-JET SFC Central Locking System

Tilt&amp;Turn Sash – Variable Handle Height



## Rod Guide

Item		PU	Part Number
6	Quantity as required [6]	100	8-00805-00-0-0

## Run-up Block

Item		PU	Part Number
7		100	9-41796-00-0-1

## Standard Striker

Item		PU	Part Number
9	Thermoplast - La Marquise	100	9-34907-03-0-1
	P.H. Tech - Twist	100	E-18949-00-0-1
	Rehau - 4500	100	9-35770-00-0-1
	Rehau - Geneo	100	9-44525-01-0-1
	Veka - Euroview 70	100	9-42972-00-0-1
	Vision Palladino 880 Series	100	9-38218-00-0-1

## T&T Striker (Security Striker Optional)

Item		PU	Part Number
11	Thermoplast - La Marquise	100	6-27831-05-0-1
	P.H. Tech - Twist	100	6-27831-06-0-1
	Rehau - 4500	100	6-31067-07-0-1
	Rehau - Geneo	100	6-30495-05-0-1
	Veka	100	6-31067-05-0-1
	Vision Palladino 880 series Mushroom Keeper	100	9-41825-00-0-1

## Failsafe (mishandling device)

Item		PU	Part Number
22A	Axis 13	100	6-31657-13-L/R-1
Only require for locking gears G-22082/3/4/5/6			

## Sash Lifter & Run-up Stop

Item		PU	Part Number
22	Sash lifter with mishandling device	100	6-29987-00-0-1
23	Run-up stop	100	acc. to profile
Only require for locking gears G-22082/3/4/5/6			

# UNI-JET SFC Central Locking System

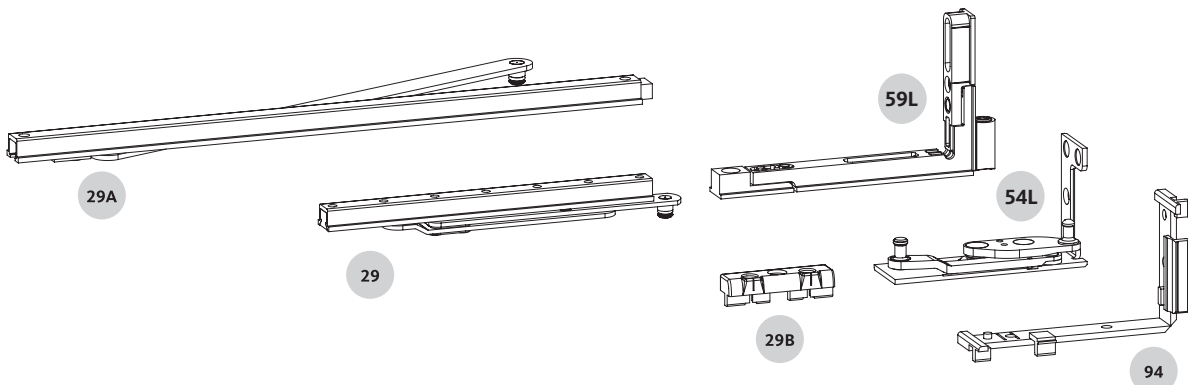
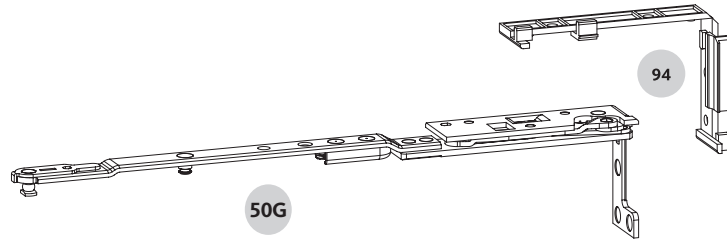
Tilt&Turn Sash – Variable Handle Height



- [1] SRH 280–390 only possible in conjunction with corner-drive S 6-32238 or corner-drive SLK 6-32224 and anti-slam device 9-38688-33. Installation according to drawing O-45986.
- [2] If the centre fixing (at the connecting rod) is detached and removed from the connecting rod prior to assembly of the stay-guide (in conjunction with corner-drive S 6-32238 or corner-drive SLK 6-32224), the SRW can be reduced to 390–419.
- [3] SRW 420–500 only possible in conjunction with corner-drive S 6-32238 or corner-drive SLK 6-32224. Installation according to drawing O-45986.
- [4] Use additional stay with SRW 1201–1400. Installation according to drawing O-46684.
- [5] With PVC windows it is necessary to use 2 profile-specific packers for each additional stay.
- [6] When cropping the faceplate by less than 150 mm or when the notches are still visible after cropping, rod guide 8-00805 should be positioned at least 65 mm from the faceplate end.
- [7] With SRH > 2350 or > 2450, extension 500, respectively 250 must be used.  
**VHH gear**  
SRH 2451–2700: use extension 250 uncropped and crop the drive-gear at the top (0 up to 250 mm) according to SRH.  
SRH 2701–2800: use extension 500 cropped to dim. 350 and crop the drivegear at the top (0 up to 100 mm) according to SRH.

# UNI-JET SCF – Tilt&Turn

Max. Sash Weight 130 kg



# UNI-JET SCF – Tilt&Turn

Max. Sash Weight 130 kg



## Tilt&Turn Stay-arm, Axis 13 – Frame

Item	SRW	Length	PU	Part Number
	300-420	250	10	6-37018-22-L/R-1
50G	421-750	320	10	6-37018-31-L/R-1
	751-1400	450	10	6-37018-46-L/R-1

## Pivot-rest – Frame

Item	SRW	Length	PU	Part Number
54L	300-1400	130	50	6-36031-00-L/R-1

## Packer – Frame

Item	Profiles (must order 1 L and 1 R)	PU	Part Number
94	Thermoplast - La Marquise	100	9-49604-01-L/R-1
	P.H. Tech - Twist	100	9-49604-17-L/R-1
	Rehau - 4500	100	9-49604-05-L/R-1
	Rehau - Geneo	100	9-49604-19-L/R-1
	Veka	100	9-49604-01-L/R-1
	Vision Palladino 880 Series	100	9-49604-07-L/R-1

## Corner-hinge, Axis 13 – Sash

Item	SRW	Length	PU	Part Number
59L	300-1400	130	50	6-40503-13-L/R-1

## Turn Restrictor – Sash

Item	SRW	Length	PU	Part Number
29	650-1400	180	10	6-39007-00-0-1

## Turn Restrictor with Brake – Sash

Item	SRW	Length	PU	Part Number
29A	800-1400	325	10	6-39900-00-0-1

## Connecting Piece – Frame

Item	SRW	Length	PU	Part Number
29B			100	9-45170-00-0-1

# UNI-JET SCF Central Locking System

Turn-only Sash – Variable Handle Height



# UNI-JET SCF Central Locking System

## Turn-only Sash – Variable Handle Height



### Gear Connector 90° – Top

Item	SRH	Length	LC	PU	Part Number
4A	280-2800	160	1	10	6-32104-00-0-1

### Rod Guide

Item		PU	Part Number
6	Quantity as required [1]	100	8-00805-00-0-0

### T&T Gear 15 Backset – Variable Handle Height

Item	SRH	Length	G	LC	PU	Part Number
2A	350-450 [1]	363	155	-	10	G-22120-00-0-1
	480-590	270	240-295	-	10	G-22080-00-0-1
	591-750	430	295-375	-	10	G-22081-00-0-1
	751-1200	880	375-600	1	10	G-22082-00-0-1
	951-1450	1130	457-725	1	10	G-22083-00-0-1
	1201-1700	1380	600-850	2	10	G-22084-00-0-1
	1451-1950	1630	725-975	2	10	G-22085-00-0-1
	1951-2500	2130	975-1225	3	10	G-22086-00-0-1
[1] Optional fixed						

### Run-up Block

Item		PU	Part Number
7		100	9-41796-00-0-1

### Standard Striker

Item		PU	Part Number
9	Thermoplast - La Marquise	100	9-34907-03-0-1
	P.H. Tech - Twist	100	E-18949-00-0-1
	Rehau - 4500	100	9-35770-00-0-1
	Rehau - Geneo	100	9-44525-01-0-1
	Veka - Euroview 70	100	9-42972-00-0-1

### Standard Gear Connector 180° – Bottom

Item	SRH	Length	LC	PU	Part Number
4D	480-2800	160	-	10	6-32303-00-0-1

### Security Gear Connector 180° – Bottom (Optional)

Item	SRH	Length	LC	PU	Part Number
4E	480-2800	160	1	10	6-33205-00-0-1

### Security Striker (Optional)

Item		PU	Part Number
11	Thermoplast - La Marquise	100	6-27831-05-0-1
	P.H. Tech - Twist	100	6-27831-06-0-1
	Rehau - 4500	100	6-31067-07-0-1
	Rehau - Geneo	100	6-30495-05-0-1
	Veka	100	6-31067-05-0-1

### Center-lock for Turn-Only Sash – Horizontal Top and Bottom

Item	SRW	Length	LC	PU	Part Number
13D	280-750	215	1	10	6-32010-00-0-1
13H	751-950	530	1	10	6-32075-05-0-1
	951-1200	740	1	10	6-32075-07-0-1
	1201-1600	1050	2	10	6-32075-10-0-1

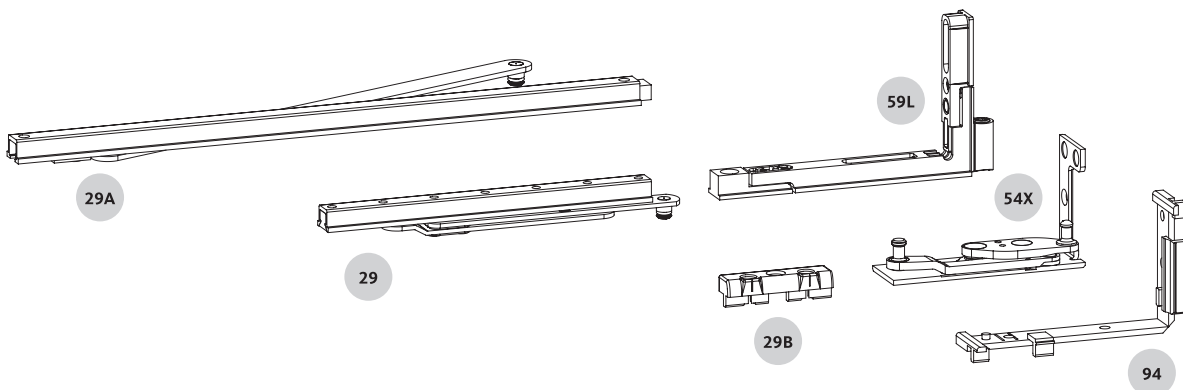
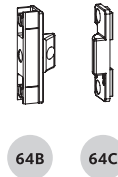
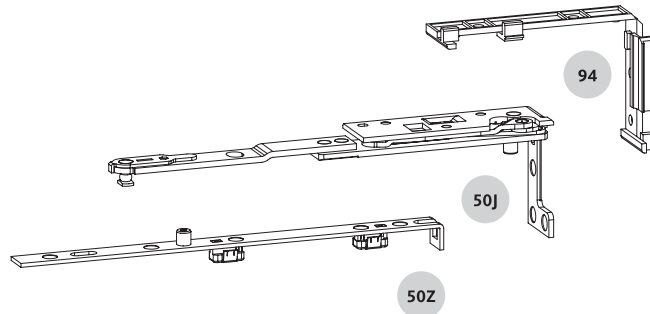
### Sash Lifter & Run-up Stop

Item		PU	Part Number
	Sash lifter with mishandling device	100	6-29987-00-0-1
23	Run-up stop	100	

[1] When cropping the faceplate by less than 150 mm or when the notches are still visible after cropping, rod guide 8-00805 should be positioned at least 65 mm from the faceplate end.

# UNI-JET SCF – Turn-only Sash

Max. Sash Weight 130 kg



# UNI-JET SCF – Turn-only Sash

Max. Sash Weight 130 kg



## Turn-only Stay Guide – Sash

Item	SRW	Length	PU	Part Number
50Z	390-1400	250	10	6-39075-01-0-1

## Turn-only Stay-arm, Axis 13 – Frame

Item	SRW	Length	PU	Part Number
50J	390-1400	320	10	6-37021-13-L/R-1

## Pivot-rest – Frame

Item	SRW	Length	PU	Part Number
54X	390-1400	130	50	6-36031-00-L/R-1

## Packer – Frame

Item	Profiles (must order 1 L and 1 R)	PU	Part Number
94	Energi - La Marquise	100	9-49604-01-L/R-1
	P.H. Tech - Twist	100	9-49604-17-L/R-1
	Rehau - 4500	100	9-49604-05-L/R-1
	Rehau - Geneo	100	9-49604-19-L/R-1
	Veka	100	9-49604-01-L/R-1

## Centre-closer, concealed

Item		PU	Part Number
64B	Sash part (adjustable)	100	6-34229-00-0-1
64C	Frame part		
	Thermoplast - La Marquise	100	9-40866-00-0-1
	P.H. Tech - Twist	100	
	Rehau - 4500	100	9-40565-07-0-1
	Rehau - Geneo	100	9-44549-00-0-1
	Veka - Euroview 70	100	9-40866-00-0-1

Number of centre-closers for:  
 SRH 721-1350 (1 piece)  
 SRH 1351-2100 (2 pieces)  
 SRH 2101-2800 (3 pieces)

## Corner-hinge, Axis 13 – Sash

Item	SRW	Length	PU	Part Number
59L	390-1400	130	50	6-40513-13-L/R-1

## Turn Restrictor – Sash

Item	SRW	Length	PU	Part Number
29	650-1400	180	10	6-39007-00-0-1

## Turn Restrictor with Brake – Sash

Item	SRW	Length	PU	Part Number
29A	800-1400	325	10	6-39900-00-0-1

## Connecting Piece – Frame

Item		PU	Part Number
29B		100	9-45170-00-0-1



# UNI-JET SCF Central Locking System

Dummy-mullion Sash with ZH Lever-operated Gear – Variable Handle Height



06  
2

# UNI-JET SCF Central Locking System

## Dummy-mullion Sash with ZH Lever-operated Gear – Variable Handle Height



### Standard Gear Connector 180° – Top

Item	SRH	Length		LC	PU	Part Number
4D	480-2800	160		-	10	6-32303-00-0-1

### Rod Guide

Item		PU	Part Number
6	Quantity as required [1]	100	8-00805-00-0-0

### ZH Lever-operated Gear – Variable Handle Height

Item	SRH	Length	G	S	PU	Part Number
24A	781-950	630	356-536	1	10	G-22170-00-0-1
	951-1450	1130	310-560	1	10	G-22171-00-0-1
	1451-1950	1630	310-560	2	10	G-22172-00-0-1
	1951-2450	2130	310-560	3	10	G-22173-00-0-1
	2451-2800 [3]	2130	310-560	3	10	G-22173-00-0-1
5C	2451-2700 [3]	250	-	-	10	8-00625-00-0-1
5E	2701-2800 [2] [3]	500	-		10	G-21040-00-0-1

### Run-up Block

Item		PU	Part Number
7		100	9-41796-00-0-1

### Standard Gear Connector 180° – Bottom

Item	SRH	Length		LC	PU	Part Number
4D	780-2800	160		-	10	6-32303-00-0-1

### Standard Striker

Item		PU	Part Number
9	Thermoplast - La Marquise	100	9-34907-03-0-1
	P.H. Tech - Twist	100	E-18949-00-0-1
	Rehau - 4500	100	9-35770-00-0-1
	Rehau - Geneo	100	9-44525-01-0-1
	Veka - Euroview 70	100	9-42972-00-0-1

### Center-lock – Horizontal Top and Bottom

Item	SRW	Length		LC	PU	Part Number
13D	280-750	215		1	10	6-32010-00-0-1
13Q	751-950	530		2	10	6-32008-05-0-1
	951-1200	740		2	10	6-32008-07-0-1
	1201-1600	1050		3	10	6-32008-10-0-1

### Security Striker (Optional)

Item		PU	Part Number
11	Thermoplast - La Marquise	100	6-27831-05-0-1
	P.H. Tech - Twist	100	6-27831-06-0-1
	Rehau - 4500	100	6-31067-07-0-1
	Rehau - Geneo	100	6-30495-05-0-1
	Veka	100	6-31067-05-0-1

[1] When cropping the faceplate by less than 150 mm or when the notches are still visible after cropping, rod guide 8-00805 should be positioned at least 65 mm from the faceplate end.

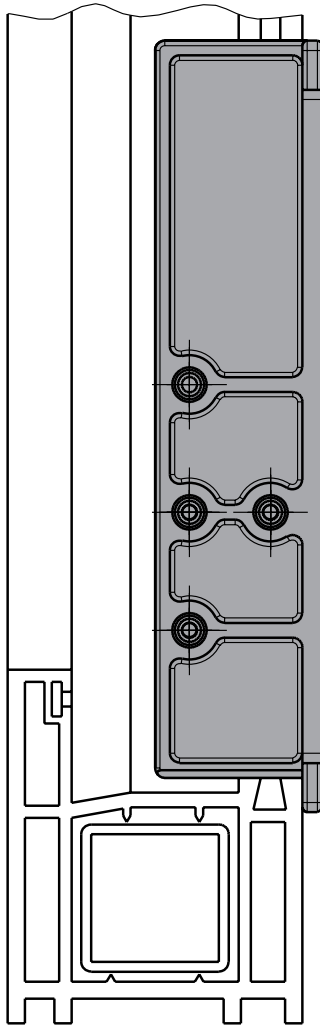
[2] With SRH > 2600, resp. > 2700, the screw-on standard striker 9-30256-00-0-1 must be screwed to the faceplate of extension G-21040-00-0-1.

[3] With SRH > 2350 or > 2450, extension 500, respectively 250 must be used.

#### VHH gear

SRH 2450–2700: use extension 250 uncropped and crop the drive-gear at the top (0 up to 250 mm) according to SRH.

SRH 2701–2800: use extension 500 cropped to dim. 350 and crop the drivegear at the top (0 up to 100 mm) according to SRH.



### Drilling Jig for Stay-arm and Pivot-rest

Description	PU	Part Number
Jig	1	6-34098-00-0-8
PU = Packaging Unit		



#### Multi Functional Adjusting Tool

Description	PU	Part Number
Includes ratchet and bits	1	6-37291-00-0-1
* = Color		PU = Packaging Unit



#### Construction Pull Handle for Stay-Bearing Pin

Description	PU	Part Number
Handle with 7mm square spindle and pull tap for stay-bearing pin	1	6-38513-02-0-9
* = Color		PU = Packaging Unit



### Torx 15 T-Key

Description	Color	PU	Part Number
Torx key	Steel	1	H-00346-15-0-0
* = Color		PU = Packaging Unit	



### Torx 15 Adjusting Key

Description	PU	Part Number
U-shaped 110 x 100 x 25mm	1	9-43631-00-0-6
* = Color		PU = Packaging Unit

06  
2



### Torx Allen Key for Unijet Cam Adjustment

Description	PU	Part Number
L-shaped 100 x 24mm	1	H-00809-15-0-0
* = Color		PU = Packaging Unit



#### D1 Screws for Hardware Installation

Description	Dimension mm	Color	PU	Part Number
D1 screws	4.2 x 20	Zinc	1000	E-12562-20-0-1
D1 screws	4.2 x 22	Zinc	1000	E-12562-22-0-1
D1 screws	4.2 x 25	Zinc	1000	E-12562-25-0-1
D1 screws	4.2 x 30	Zinc	1000	E-12562-30-0-1
D1 screws	4.2 x 35	Zinc	1000	E-12562-35-0-1
D1 screws	4.2 x 40	Zinc	1000	E-12562-40-0-1

\* = Color    PU = Packaging Unit

#### Product characteristics

- Classic hardware screw, incorporating the latest technology, with double-pitch thread
- Also ideal for thin-walled profiles
- High overtorquing and extraction values in PVC
- Roller-sorted quality for automatic screwing
- Steel, case hardened

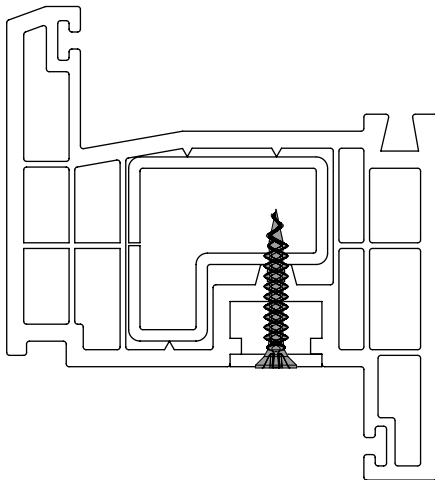
#### Applications

- Fastening of Tilt&Turn hardware in normal and thin-walled PVC profiles and also in steel or GFRP inserts
- Fastening of closing parts, hinges and bearings

#### Processing

- Screwing with speeds of approx. 1,500 to 2,000 rpm
- Can be screwed into steel; pre-drilling required (see technical data and requirements)
- Can be screwed into GFRP without pre-drilling

#### Installation diagram

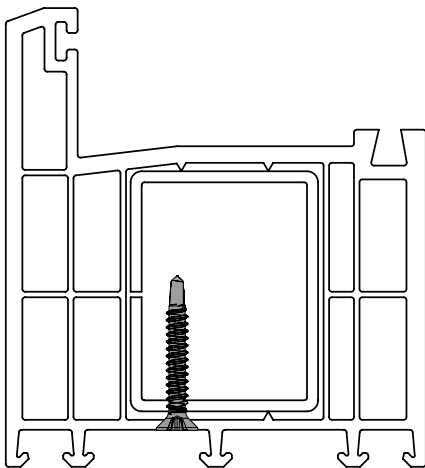


#### Technical data and requirements

Head diameter	7.3 mm
Drive	Philips PH 2
Thread type	Double-pitch thread
Sheet metal thickness	Pre-drill diameter
1.5 mm	3.0 mm
2.0 mm	3.2 mm
2.5 mm	3.5 mm



### Installation diagram



### B1 Screws for Hardware Installation

Description	Dimension mm	Color	PU	Part Number
B1 screws	3.9 x 13	Zinc	1000	E-12563-13-0-1
B1 screws	3.9 x 16	Zinc	1000	E-12563-16-0-1
B1 screws	3.9 x 19	Zinc	1000	E-12563-19-0-1
B1 screws	3.9 x 25	Zinc	1000	E-12563-25-0-1
B1 screws	3.9 x 32	Zinc	1000	E-12563-32-0-1
* = Color			PU = Packaging Unit	

### Product characteristics

- Roller-sorted quality for automatic screwing
- Steel, tempered

### Applications

- Fastening of steel reinforcement up to 3.0 mm in PVC windows in which the reinforcement is close together
- Fastening of hardware components

### Processing

- Screwing with speeds of approx. 1,500 to 2,000 rpm

### Technical data and requirements

Head diameter	7.5 mm
Drive	Philips PH 2
Thread type	ST thread







WINDOW TECHNOLOGY  
DOOR TECHNOLOGY  
AUTOMATIC ENTRANCE SYSTEMS  
BUILDING MANAGEMENT SYSTEMS

HEAD OFFICE

Ferco Architectural Hardware Inc.  
2000, Berlier St.  
Laval, QC H7L 4S4  
Tel.: 450 973-1437  
1 800 355-8810  
Fax: 450 973-7661  
ferco@ferco.ca

ONTARIO / WESTERN PROVINCES

Tel.: 905 282-9588  
1 800 668-5310  
Fax: 905 282-9915

UNITED STATES

Tel.: 1 800 927-1097  
Fax: 1 888 454-0161

[www.ferco.ca](http://www.ferco.ca)

Securing technology for you

