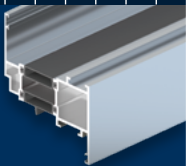




WINDOW TECHNOLOGY  
DOOR TECHNOLOGY  
AUTOMATIC ENTRANCE SYSTEMS  
BUILDING MANAGEMENT SYSTEMS



WINDOW TECHNOLOGY – ORDER CATALOGUE



## The Tilt&Turn hardware range ALU-JET 10

Edition 03/2024

Securing technology for you



# The Gretsch-Unitas group

Opening, moving, closing, securing – true to its motto "Securing technology for you", Gretsch-Unitas group provides groundbreaking solutions for window and door technology, automatic entrance systems and building management systems. With its system brands, the group delivers solutions for burglar inhibition on doors and windows, for barrier-free building, for doors in escape and rescue routes, extending to individual facade solutions for projects.



## Gretsch-Unitas GmbH Baubeschläge



GU in Ditzingen is the headquarters of the group, development, administration and the production of modern architectural hardware for window and door technology. Apart from different flexible assembly departments, the production site comprises a high-tech punching, galvanising and anodising facility.

## BKS GmbH



BKS manufactures mechanical and electronic locking cylinders, locks, locking systems and panic locks for escape and rescue routes. Harmonised mechanical and electronic system solutions are available for access control.

## FERCO International S.A.S.



Ferco is the largest production site for window hardware in France. As a subsidiary of the Gretsch-Unitas group, Ferco also offers customer support and distribution in France for all products of the group.



**GU Automatic**



GU Automatic offers innovative, secure and reliable solutions for automatic entrance systems and automatic door systems, revolving doors, all-glass sliding walls, security curved sliding doors and controlled physical access.

**ela-soft**



The successful GEMOS facility management and organisation system was designed by ela-soft, one of the market and technology leaders in the building technology branch.

Securing technology for you



# Design freedom thanks to the modular ALU-JET 10 hardware

ALU-JET features state-of-the-art technology which means it can meet the high expectations for windows and moving facade elements in commercial construction projects. The ALU-JET 10 central locking system is the modular basis for all special designs such as Parallel-Projecting, Horizontal-Pivot or Vertical-Pivot windows, as well as Swing&Slide and Top-Hung windows. Safety through tested quality: The ALU-JET is tested according to EN 13126-8 and certified by ift according to QM 328.

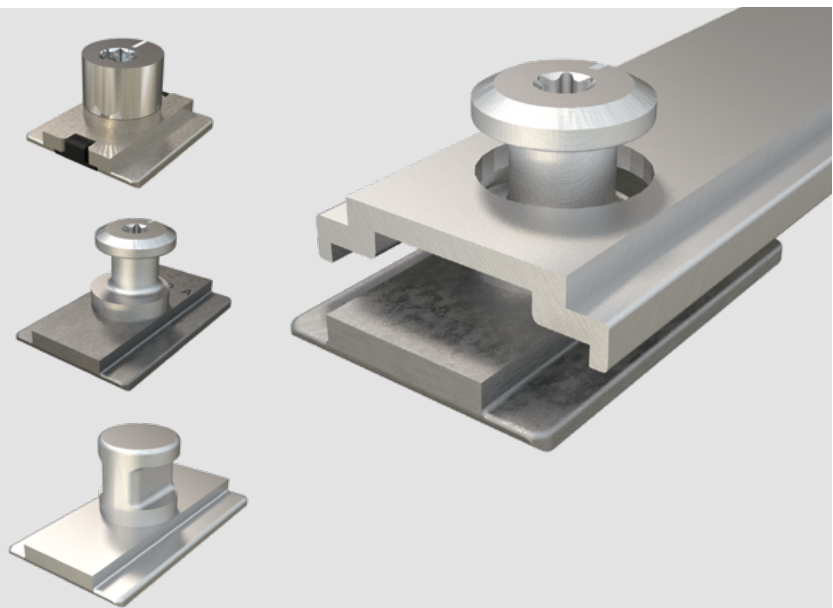


# ALU-JET 10 central locking system



## Product characteristics

- Universally applicable for all opening methods
- Uniform Ø 10 mm connecting rod holes for the coupling points and locking cams/handle connectors
- Burglar inhibition freely configurable: Further locking points can be added at any position of the connecting rod
- Leaf weights up to 300 kg possible
- Efficient installation:
  - toolless mounting of corner-drives
  - only one continuous connecting rod per sash side
  - fixed connecting rod length on hinge side and bottom sash side (prefabrication possible)
- Non-handed mishandling device integrated in the corner-drive



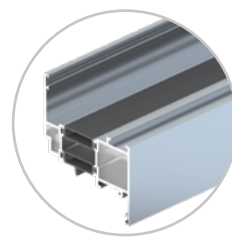
## Security with a system

Anti-jimmy locking cams insertable from underneath, suitable for all resistance classes from basic security to RC3 according to EN 1627

### Product overview

| Designation   | Rebate clearance [mm] | Frame grooves [mm] |        |       | Tested load-bearing capacity [kg] | Sash width [mm] | Sash height [mm] |
|---|-----------------------|--------------------|--------|-------|-----------------------------------|-----------------|------------------|
| ALU-JET 10 central locking system with ALU-JET 510 surface-mounted hinge-side | 11.5                  | 10/14              | 12/15  | 14/18 | 80 [1]<br>100 [2]                 | 395-1600        | 500-2400         |
| ALU-JET 10 central locking system with ALU-JET 710 surface-mounted hinge-side | 11.5                  | 10/14              | 12/15  | 14/18 | 130                               | 410-1700        | 500-2800         |
| ALU-JET 10 central locking system with ALU-JET CC610 concealed hinge-side     | 11.5                  | 10/14              | 12/15* | 14/18 | 150                               | 500-1600        | 500-2800         |

[1] Windows: SRW 1300 mm x SRH 1200 mm | [2] Balcony-doors: SRW 900 mm x SRH 2300 mm | \* on request  
For all stated weights and dimensions, please refer to our application diagrams and the manufacturer's profile information!  
For more information: [www.g-u.com](http://www.g-u.com)



# ALU-JET 510 and ALU-JET 710 surface-mounted hinge-sides



## ALU-JET 510

**Elegant aesthetics**  
The standard solution  
for all standard formats  
available on the market



### Product characteristics

- Universally applicable for Tilt&Turn, Tilt-First, Turn-Only and Tilt-Only sashes
- Efficient mounting through modularly preassembled modules
- Extensive range of surface finishes
- All components are non-handed
- Convenient hardware setting options
- Maintenance-free stay-hinges and corner-hinges





## ALU-JET 710

**Tried-and-tested technology**

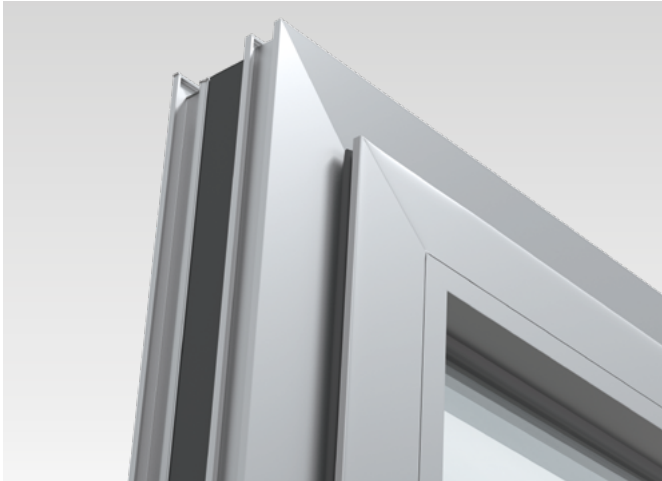
The project solution  
for heavy window elements

### Technical data

| Designation                            | Rebate clearance [mm] | Frame grooves [mm]      | Hinge-passage [mm] | Tested hardware load-bearing capacity [kg] | Sash width [mm] | Sash height [mm] |
|--|-----------------------|-------------------------|--------------------|--|-----------------|------------------|
| ALU-JET 510 surface-mounted hinge side | 11.5                  | 10/14<br>12/15<br>14/18 | 3.5                | 80 [1]<br>100 [2]                          | 395–1600        | 500–2400         |
| ALU-JET 710 surface-mounted hinge side | 11.5                  | 10/14<br>12/15<br>14/18 | 3.0                | 130  | 410–1700        | 500–2800         |

[1] Windows: SRW 1300 mm x SRH 1200 mm | [2] Balcony-doors: SRW 900 mm x SRH 2300 mm  
For all stated weights and dimensions, please refer to our application diagrams and the manufacturer's profile information!  
For more information: [www.g-u.com](http://www.g-u.com)

# ALU-JET CC610 concealed hinge-side

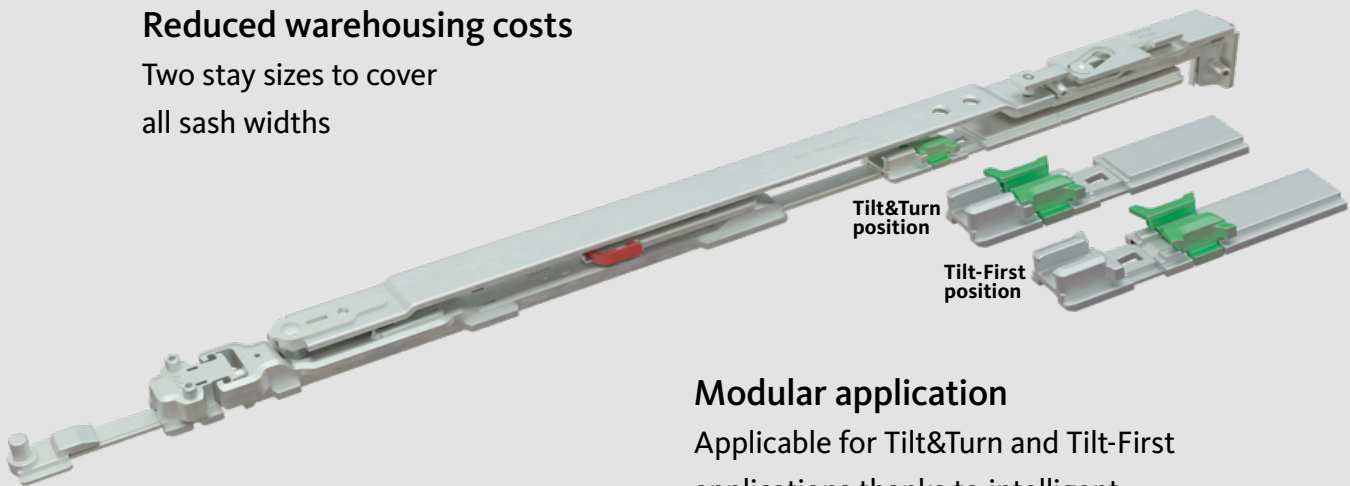


## Product characteristics

- Universally applicable for Tilt&Turn, Tilt-First, Turn-Only and Tilt-Only sashes
- Sash weights up to 150 kg possible without additional components
- For hinge-side locking on Turn-Only sashes, the central locking system can be guided through the Turn-Only stay-guide

## Reduced warehousing costs

Two stay sizes to cover all sash widths



## Modular application

Applicable for Tilt&Turn and Tilt-First applications thanks to intelligent clamping technology

### Product overview

| Designation                        | Rebate clearance [mm] | Frame grooves [mm]       | Tested hardware load-bearing capacity [kg] | Sash width [mm] | Sash height [mm] |
|------------------------------------|-----------------------|--------------------------|--|-----------------|------------------|
| ALU-JET CC610 concealed hinge-side | 11.5                  | 10/14<br>12/15*<br>14/18 | 150  | 500-1600        | 500-2800         |

\* on request  
For all stated weights and dimensions, please refer to our application diagrams and the manufacturer's profile information!  
For more information: [www.g-u.com](http://www.g-u.com)

# ALU-JET S800

The project solution for heavy facade elements up to 300 kg



## Product characteristics

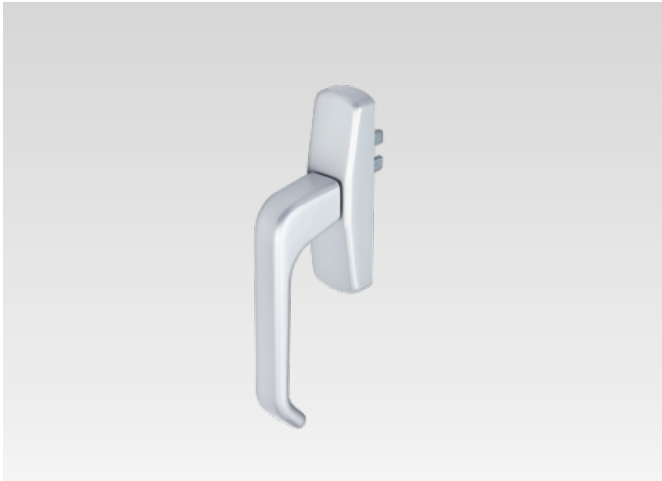
- Applicable for Turn-Only and Tilt-Only sashes
- Opening angle 180°
- For profile systems with hinge-passage from 7 mm
- Extensive range of surface finishes
- Maintenance-free, high-performance polymer bearings



## Product overview

| Designation                                  | Rebate clearance [mm] | Frame grooves [mm]      | Tested hardware load-bearing capacity [kg] | Sash width [mm]                | Sash height [mm]               |
|--|-----------------------|-------------------------|--|--------------------------------|--------------------------------|
| ALU-JET S800 Turn-Only hinge/Tilt-Only hinge | 11.5                  | 10/14<br>12/15<br>14/18 | 300  | max. 1700 [1]<br>max. 2800 [2] | max. 2800 [1]<br>max. 1700 [2] |

[1] Turn-Only sash | [2] Tilt-Only sash  
For all stated weights and dimensions, please refer to our application diagrams and the manufacturer's profile information!  
For more information: [www.g-u.com](http://www.g-u.com)



SPACIO geared turn handle

## Geared turn handles

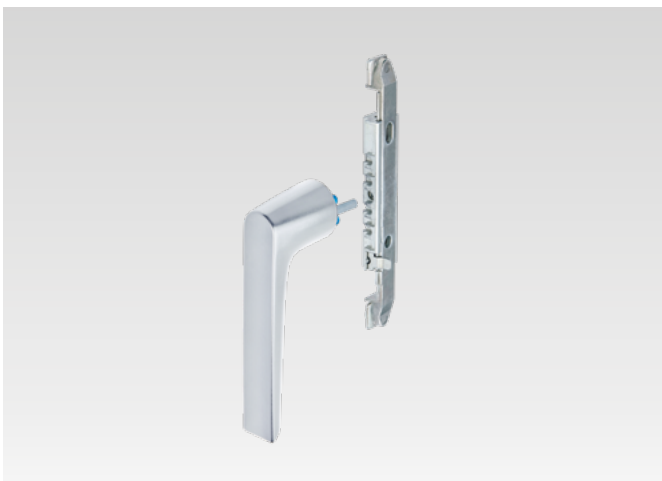
- Available in fork lengths of 22 mm and 33 mm
- With one carrier fork for all standard applications
- With two carrier forks for spreading function on Turn-Only sashes with 90° handle actuation angle
- Optionally with removable service handles
- Optionally tested in accordance with EN 1627



BELCANTO turn handle with insertable gear

## Turn handles in combination with insertable gear

- Extensive range of designs and surface finishes
- Optional versions:
  - lockable, for Tilt-First function
  - lockable with key or push-button
  - removable service handles
  - tested in accordance with EN 13126-3
  - tested in accordance with EN 1627
- Insertable gear:
  - optionally with mishandling device
  - optionally with anti-drill plate and connecting rod fixing for increased burglar resistance up to RC3 according to EN 1627



Rosette-free turn handle with insertable gear

## Rosette-free turn handles with insertable gear

- Turn handles without visible substructure for high design demands in projects
- Optional versions:
  - lockable, for Tilt-First function
  - lockable with key
- Installation without milling work on the aluminium profile
- Insertable gear:
  - with mishandling device



## Parallel-Projecting hardware

The special solution for sashes with weights up to 400 kg, opening widths up to 250 mm and sash heights up to 5000 mm. Parallel-Projecting windows can be created with a comprehensive range of GU stays for all frame materials, such as timber, PVC, aluminium and timber/aluminium.

## Turn-Only window hardware

Today's facades, with floor-to-ceiling glazing, are a challenge for standard hardware. Gretsch-Unitas meets these requirements with specially developed hinges for Turn-Only sashes. They are concealed in the rebate and can bear sash weights of up to 350 kg.

## Projecting Top-Hung hardware

This hardware range offers a number of different Projecting Top-Hung friction stays with opening angles from 20° to 50°. Sashes can be made to a height of 2500 mm. Projecting Top-Hung windows can be made with GU stays for all frame materials, such as timber, PVC, aluminium and timber/aluminium

## Special constructions

Our specialists have developed innovative opening mechanisms to meet individual customer requirements regarding ventilation elements in building envelopes. We draw on our many years of experience and creative ideas to produce solutions tailored to each project.

### Possible constructions / solutions with Parallel-Projecting windows

| Designation<br>Parallel-Projecting friction stay | Max. sash weight*<br>[kg] | Sash height<br>[mm] | Sash width<br>[mm] | Opening width [mm] |              |
|--|---------------------------|---------------------|--------------------|--------------------|--------------|
|  |                           |                     |                    | manual             | motor-driven |
| PAS350   | 100                       | 350– 750            | 350–2000           | 150                | 180          |
| PAS450   | 100                       | 450–1000            | 450–2000           | 180                | 250          |
| PAS670   | 200                       | 670–1500            | 670–2000           | 150                | 180          |
| PAS930   | 200                       | 930–2000            | 930–2000           | 180                | 250          |
| PAS1135  | 200                       | 1400–2100           | 1400–2000          | 180                | 250          |

\*Higher weights are possible if required

### Possible constructions / solutions with Turn-Only windows

| Designation                     | Max. sash weight<br>[kg] | Sash height<br>[mm] | Sash width<br>[mm] | Opening width<br>[°] |
|---------------------------------|--------------------------|---------------------|--------------------|----------------------|
| Concealed Turn-Only hinge       | 350                      | 425–3500            | 350–1600           | 95                   |
| Stainless steel Turn-Only hinge | 200                      | 430–2800            | 450–1400           | 180                  |

### Possible constructions / solutions with Projecting Top-Hung windows

| Designation<br>Projecting Top-Hung friction stay | Max. sash weight<br>[kg] | Sash height<br>[mm] | Sash width<br>[mm] | Opening width<br>[°] |
|--|--------------------------|---------------------|--------------------|----------------------|
| SKS40  | 40                       | 276– 640            | 450–2500           | 50                   |
| SKS50  | 50                       | 640– 800            | 450–2500           | 50                   |
| SKS65  | 65                       | 800–1100            | 450–2500           | 50                   |
| SKS65H   | 100                      | 600–1100            | 450–2500           | 30                   |
| SKS100   | 100                      | 1100–1500           | 520–2500           | 45                   |
| SKS100H  | 100                      | 1500–2000           | 520–2500           | 20                   |
| SKS180   | 180                      | 2000–2500           | 520–2500           | 20                   |





## 1.0 Central locking systems

Table of contents

17

## 2.0 Surface-mounted hinge-sides

Table of contents

93

## 3.0 Concealed hinge-sides

Table of contents

121

## 4.0 Frame components

Table of contents

133

## 5.0 Turn handles

Table of contents

141

## 6.0 Accessories

Table of contents

167

## 7.0 Additional information

Table of contents

181







## Standard hardware set overviews

|  |    |
|--|----|
| Tilt&Turn window with geared turn handle   | 18 |
| Tilt&Turn window with insertable gear  | 20 |
| Tilt-First window with geared turn handle  | 22 |
| Tilt-First window with insertable gear   | 24 |
| Turn-Only window with standard central locking system and geared turn handle                               | 26 |
| Turn-Only window with standard central locking system and geared turn handle, CC610 and hinge-side locking | 28 |
| Turn-Only window with standard central locking system and insertable gear                                  | 30 |
| Turn-Only window with standard central locking system and insertable gear, CC610 and hinge-side locking    | 32 |
| Turn-Only window with shoot-bolt and SPACIO geared turn handle (only frame groove 14/18)                   | 34 |
| Turn-Only window with shoot-bolt and ADAGIO-A geared turn handle (only frame groove 14/18)                 | 36 |
| Tilt-Only window with geared turn handle (surface-mounted hinge-side)                                      | 38 |
| Tilt-Only window with insertable gear (surface-mounted hinge-side)   | 40 |
| Tilt-Only window with geared turn handle (concealed hinge-side)  | 42 |
| Tilt-Only window with insertable gear (concealed hinge-side)   | 44 |
| Dummy mullion sash with central locking system in the sash groove (ST-FLN)                                 | 46 |
| Dummy mullion sash with central locking system with lever-operated gear in the double C groove (ST-DCN)    | 48 |
| Dummy mullion sash with central locking system with shoot-bolts in the double C groove (ST-DCN)            | 50 |

## RC2 Overviews of hardware sets

|  |    |
|--|----|
| Tilt&Turn and Turn-Only window with geared turn handle | 54 |
| Tilt&Turn and Turn-Only window with insertable gear    | 56 |
| Tilt-First window with geared turn handle              | 58 |
| Tilt-First window with insertable gear                 | 60 |

## RC3 Overviews of hardware sets

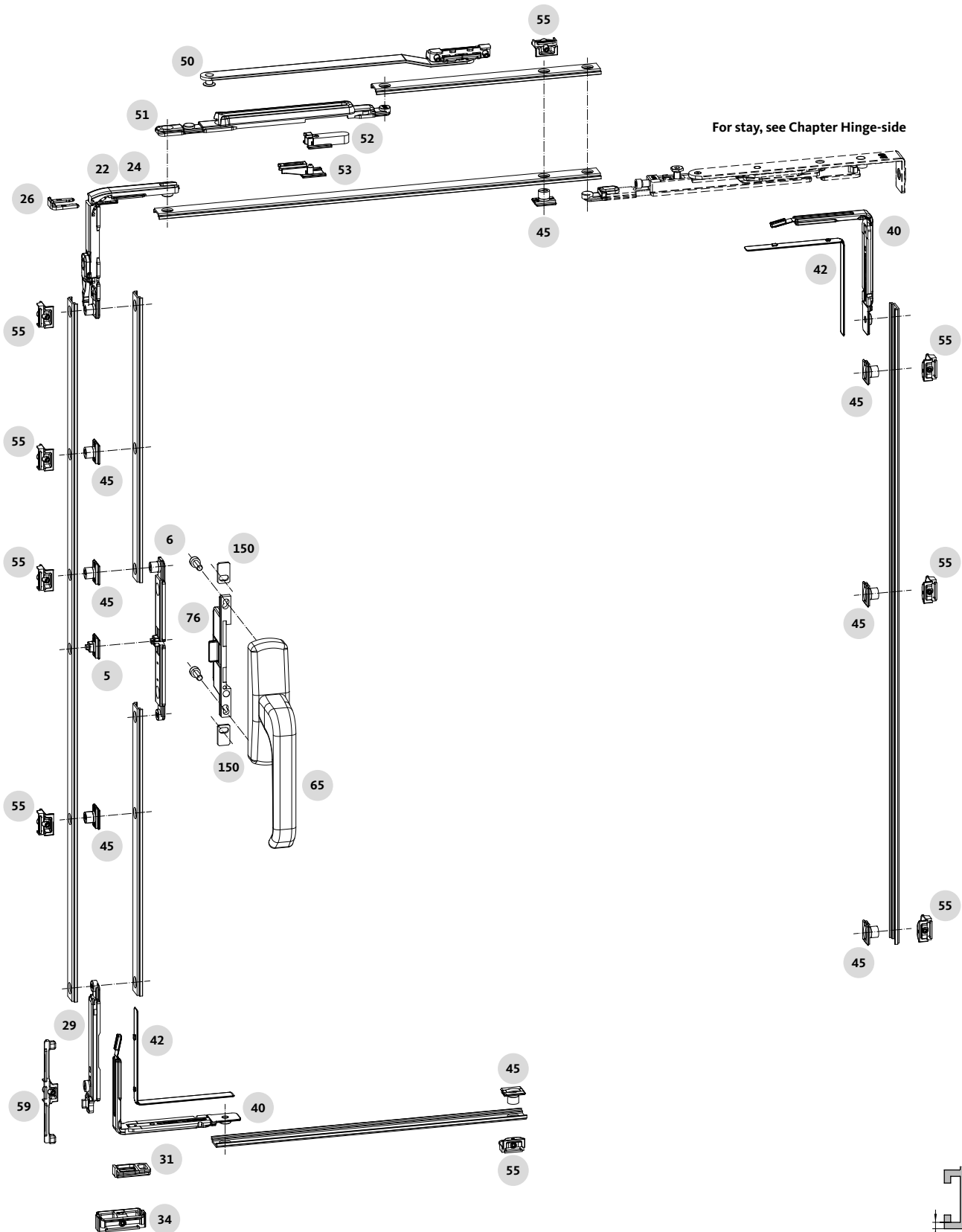
|  |    |
|--|----|
| Tilt&Turn window with geared turn handle | 62 |
| Tilt&Turn window with insertable gear    | 66 |

## Individual components

|  |    |
|--|----|
| Central locking system set   | 70 |
| Connector for geared turn handle   | 71 |
| Insertable gear / insertable lock  | 72 |
| Corner-drive   | 76 |
| Tilter   | 79 |
| Locking cam  | 80 |
| Run-up block, sash part  | 81 |
| Additional stay  | 82 |
| Hardware components for Tilt-Only windows (surface-mounted and concealed hinge-side)                   | 83 |
| Hardware components for dummy mullion sash with central locking system in the sash groove (ST-FLN)     | 85 |
| Hardware components for dummy mullion sash with central locking system in the double C groove (ST-DCN) | 88 |
| Accessories  | 91 |

# Standard hardware set overviews

## Tilt&Turn window with geared turn handle



## Standard hardware set overviews

## Tilt&amp;Turn window with geared turn handle



| Item | Description | Piece(s)    |              |              |              |              |              |              |              |              | PU | Qty. in K- set | Order number |
|------|-------------|-------------|--------------|--------------|--------------|--------------|--------------|--------------|--------------|--------------|----|----------------|--------------|
|      |             | SW 395-1200 |              |              | SW 1201-1350 |              |              | SW 1351-1700 |              |              |    |                |              |
|      |             | SH 500-1200 | SH 1201-2200 | SH 2201-2800 | SH 860-1200  | SH 1201-2200 | SH 2201-2800 | SH 960-1200  | SH 1201-2200 | SH 2201-2800 |    |                |              |

|    |  |          |          |          |          |          |          |          |          |          |           |   |                       |
|----|--|----------|----------|----------|----------|----------|----------|----------|----------|----------|-----------|---|-----------------------|
|    | <b>T&amp;T set, central locking system</b> | <b>1</b> | <b>1</b> | <b>1</b> | <b>1</b> | <b>1</b> | <b>1</b> | <b>1</b> | <b>1</b> | <b>1</b> | <b>10</b> | - | <b>K-19054-00-0-1</b> |
| 5  | Handle connector-pin                       | 1        | 1        | 1        | 1        | 1        | 1        | 1        | 1        | 1        | -         | 1 | 6-37090-00-0-1        |
| 22 | Corner-drive with M.D.                     | 1        | 1        | 1        | 1        | 1        | 1        | 1        | 1        | 1        | -         | 1 | 6-37120-00-0-1        |
| 26 | Clamping bracket                           | 1        | 1        | 1        | 1        | 1        | 1        | 1        | 1        | 1        | -         | 1 | 9-48157-00-0-1        |
| 29 | T&T tilter                                 | 1        | 1        | 1        | 1        | 1        | 1        | 1        | 1        | 1        | -         | 1 | 6-37258-00-0-1        |
| 31 | Run-up block, sash part                    | 1        | 1        | 1        | -        | -        | -        | -        | -        | -        | -         | 1 | 9-40404-00-0-1        |
| 34 | T&T fanlight hinge                         | 1        | 1        | 1        | 1        | 1        | 1        | 1        | 1        | 1        | -         | 1 | 6-37441-00-0-1        |

|    |                               |   |   |   |   |   |   |   |   |   |     |     |                |                |
|----|-------------------------------|---|---|---|---|---|---|---|---|---|-----|-----|----------------|----------------|
| 40 | Corner-drive C-L              | -   | 1 | 1 | 1 | 2 | 2 | 1 | 2 | 2 | 50  | -   | 6-37266-00-0-1 |                |
| 42 | Packer for corner-drive C-L * | -   | 1 | 1 | 1 | 2 | 2 | 1 | 2 | 2 | 100 | -   | 9-48466-00-0-1 |                |
| 45 | Locking cam                   | with hinge-side 510, 710                  | - | 2 | 4 | 2 | 4 | 6 | 2 | 4 | 6   | 100 | -              | 6-37111-00-0-8 |
|    |                               | with hinge-side CC610                     | - | 3 | 5 | 2 | 5 | 7 | 2 | 5 | 7   | 100 | -              |                |
|    |                               | with hinge-side 510, 710 connector item 6 | - | 1 | 4 | 2 | 3 | 6 | 2 | 3 | 6   | 100 | -              |                |
|    |                               | with hinge-side CC610 connector item 6    | - | 2 | 5 | 2 | 4 | 7 | 2 | 4 | 7   | 100 | -              |                |

|    |                                |                          |   |   |   |   |   |          |          |          |           |   |                       |
|----|--------------------------------|--------------------------|---|---|---|---|---|----------|----------|----------|-----------|---|-----------------------|
|    | <b>Set of additional stays</b> | -                        | - | - | - | - | - | <b>1</b> | <b>1</b> | <b>1</b> | <b>10</b> | - | <b>K-19013-00-0-1</b> |
| 50 | Stay-arm, additional stay      | -                        | - | - | - | - | - | 1        | 1        | 1        | -         | 1 | 6-37840-00-0-1        |
| 51 | Stay-guide, additional stay    | -                        | - | - | - | - | - | 1        | 1        | 1        | -         | 1 | 6-37841-00-0-1        |
| 52 | Opening restrictor             | with hinge-side 510, 710 | - | - | - | - | - | 1        | 1        | 1        | -         | 1 | 6-38803-00-0-1        |

|    |                             |                     |   |   |   |   |   |   |   |   |    |   |                |
|----|-----------------------------|---------------------|---|---|---|---|---|---|---|---|----|---|----------------|
| 53 | Adapter for additional stay | with hinge-side 510 | - | - | - | - | - | 1 | 1 | 1 | 10 | - | 9-50638-00-0-1 |
|----|-----------------------------|---------------------|---|---|---|---|---|---|---|---|----|---|----------------|

|    |                                       |                          |           |   |   |   |   |   |   |   |   |   |     |     |                |                |
|----|---------------------------------------|--------------------------|-----------|---|---|---|---|---|---|---|---|---|-----|-----|----------------|----------------|
| 55 | Striker                               | with hinge-side 510, 710 | for A=2.0 | 1 | 3 | 5 | 3 | 5 | 7 | 3 | 5 | 7 | 100 | -   | 6-37261-01-0-1 |                |
|    |                                       |                          | for A=1.5 |   |   |   |   |   |   |   |   |   |     | 100 | -              | 6-37261-02-0-1 |
|    |                                       | with hinge-side CC610    | for A=2.0 | 1 | 4 | 6 | 3 | 6 | 8 | 3 | 6 | 8 | 100 | -   | 6-37261-01-0-1 |                |
|    |                                       |                          | for A=1.5 |   |   |   |   |   |   |   |   |   |     | 100 | -              | 6-37261-02-0-1 |
| 59 | T&T striker                           |                          | for A=2.0 | 1 | 1 | 1 | 1 | 1 | 1 | 1 | 1 | 1 | 100 | -   | 6-39907-01-0-1 |                |
|    |                                       |                          | for A=1.5 |   |   |   |   |   |   |   |   |   |     | 100 | -              | 6-39907-02-0-1 |
| 65 | SPACIO geared turn handle with screws |                          | HP 96/104 | 1 | 1 | 1 | 1 | 1 | 1 | 1 | 1 | 1 | 10  | -   | G-46551-96-0-1 |                |
|    |                                       |                          | HP 84/98  |   |   |   |   |   |   |   |   |   |     | 10  | -              | G-46551-00-0-1 |

## As an alternative to item 22

|    |   |           |          |          |          |          |          |          |          |          |          |           |    |                       |
|----|---|-----------|----------|----------|----------|----------|----------|----------|----------|----------|----------|-----------|----|-----------------------|
| 76 | Mishandling device                            | HP 96/104 | 1        | 1        | 1        | 1        | 1        | 1        | 1        | 1        | 1        | 10        | -  | 6-31065-40-0-1        |
|    |   | HP 84/98  |          |          |          |          |          |          |          |          |          |           | 10 | -                     |
|    | <b>Corner-drive without M.D.</b>              |           | <b>1</b> | <b>1</b> | <b>1</b> | <b>1</b> | <b>1</b> | <b>1</b> | <b>1</b> | <b>1</b> | <b>1</b> | <b>50</b> | -  | <b>K-19774-00-0-1</b> |
| 24 | Corner-drive without M.D. (only with item 76) |           | 1        | 1        | 1        | 1        | 1        | 1        | 1        | 1        | 1        | -         | 1  | 6-37264-00-0-1        |
| 26 | Clamping bracket                              |           | 1        | 1        | 1        | 1        | 1        | 1        | 1        | 1        | 1        | -         | 1  | 9-48157-00-0-1        |

## As an alternative to item 5

|   |                                      |  |   |   |   |   |   |   |   |   |   |    |   |                |
|---|--------------------------------------|--|---|---|---|---|---|---|---|---|---|----|---|----------------|
| 6 | Connector for divided connecting rod |  | 1 | 1 | 1 | 1 | 1 | 1 | 1 | 1 | 1 | 50 | - | 6-37257-00-0-1 |
|---|--------------------------------------|--|---|---|---|---|---|---|---|---|---|----|---|----------------|

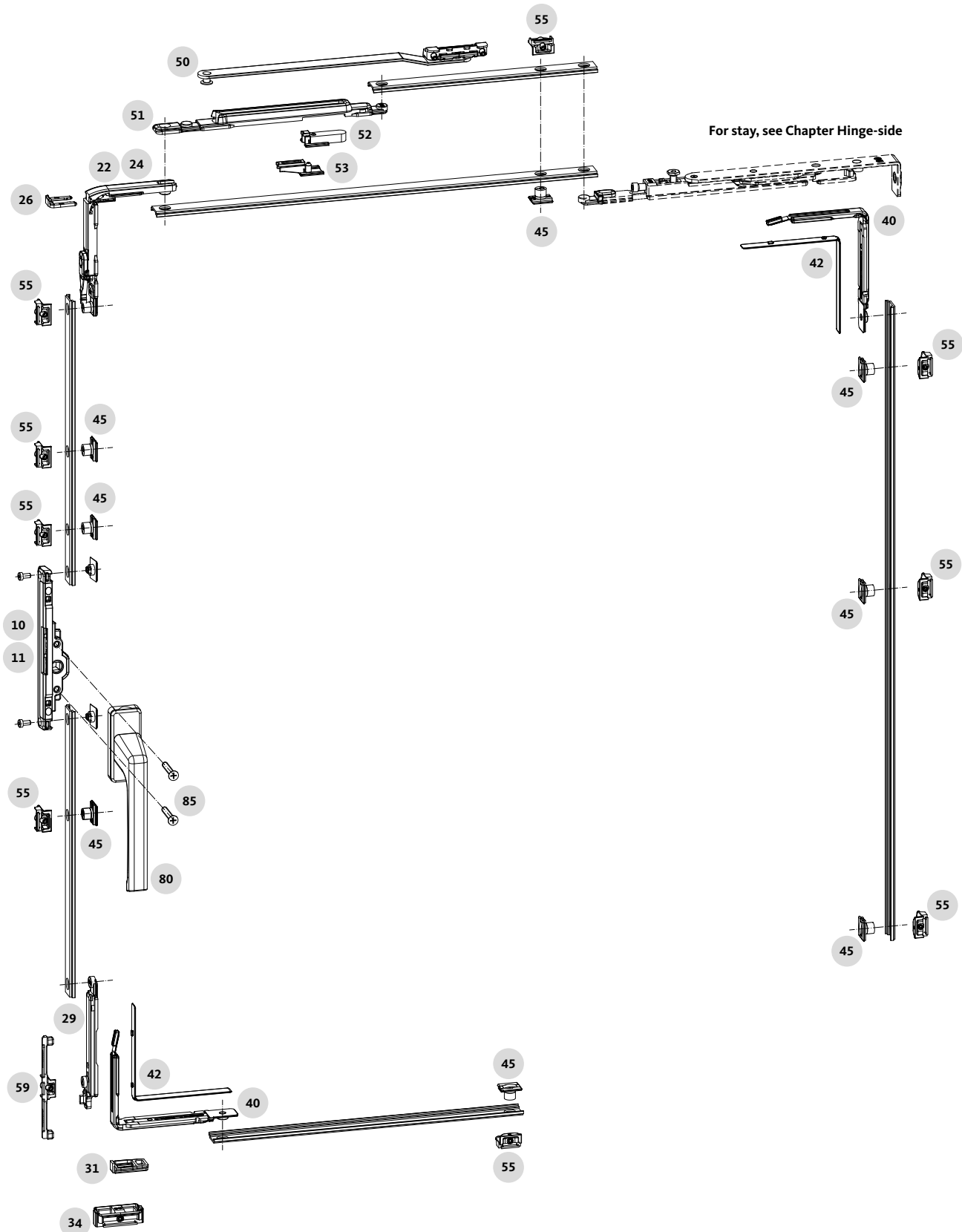
## Accessories

|     |  |  |   |   |   |   |   |   |   |   |   |     |   |                |
|-----|--|--|---|---|---|---|---|---|---|---|---|-----|---|----------------|
| 150 | Packer plate for geared turn handle ** |  | 2 | 2 | 2 | 2 | 2 | 2 | 2 | 2 | 2 | 100 | - | 9-50091-00-0-8 |
|-----|--|--|---|---|---|---|---|---|---|---|---|-----|---|----------------|

\* Only with deep groove 13.6-15 mm wide and 5.5-7 mm deep. | \*\* For reinforcement of the sash overlap. Recommended for larger, heavier sashes.

# Standard hardware set overviews

## Tilt&Turn window with insertable gear



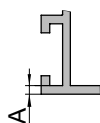
# Standard hardware set overviews

## Tilt&Turn window with insertable gear



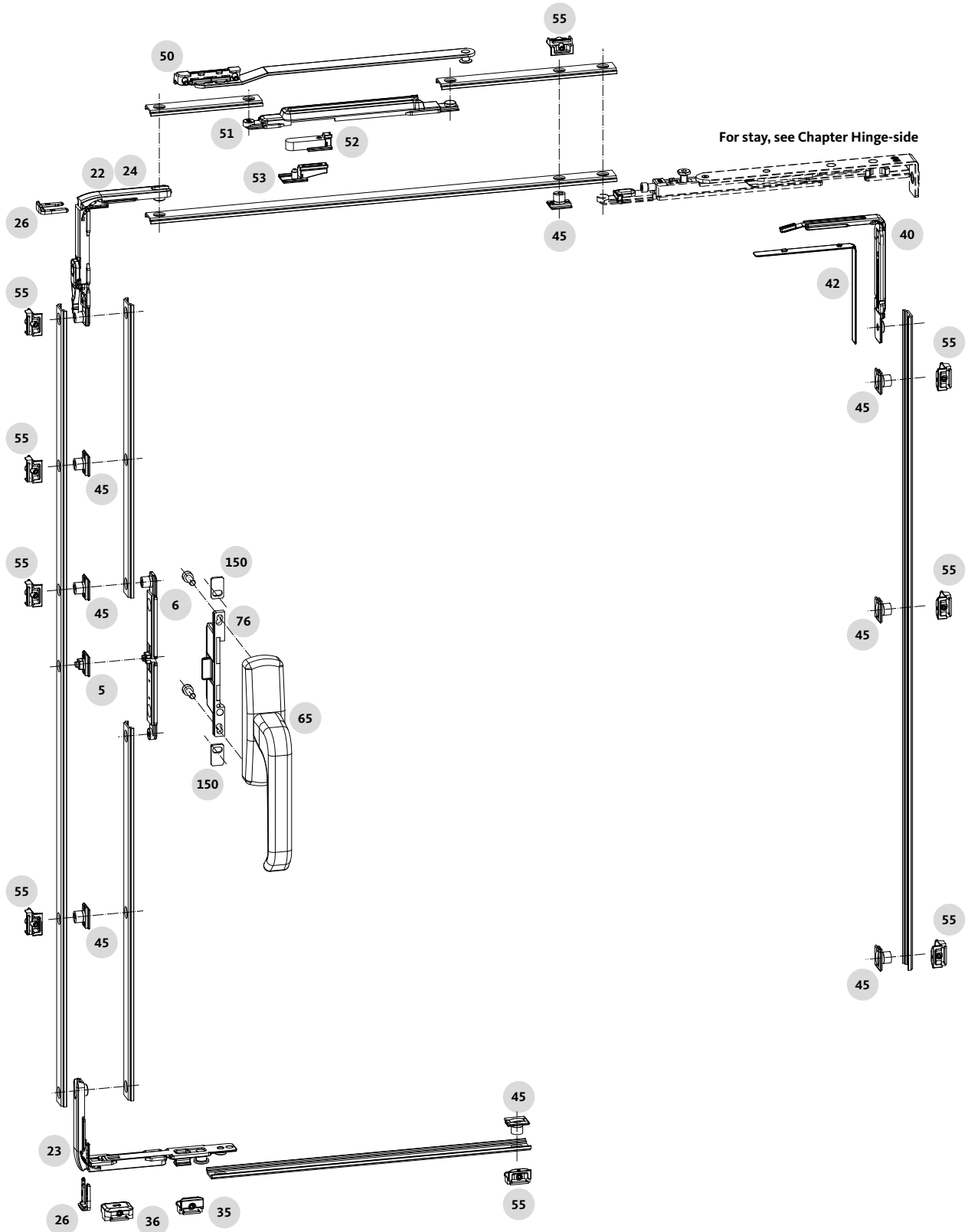
| Item | Description                                   | Piece(s)                           |              |              |              |              |              |              |              |              | PU        | Qty. in K-set | Order number          |                |
|------|---|------------------------------------|--------------|--------------|--------------|--------------|--------------|--------------|--------------|--------------|-----------|---------------|-----------------------|----------------|
|      |   | SW 395-1200                        |              |              | SW 1201-1350 |              |              | SW 1351-1700 |              |              |           |               |                       |                |
|      |   | SH 500-1200                        | SH 1201-2200 | SH 2201-2800 | SH 860-1200  | SH 1201-2200 | SH 2201-2800 | SH 960-1200  | SH 1201-2200 | SH 2201-2800 |           |               |                       |                |
| 10   | Insertable gear w/o M.D.                      | 1                                  | 1            | 1            | 1            | 1            | 1            | 1            | 1            | 1            | 10        | -             | K-21013-00-0-1        |                |
|      | <b>T&amp;T set, central locking system</b>    | <b>1</b>                           | <b>1</b>     | <b>1</b>     | <b>1</b>     | <b>1</b>     | <b>1</b>     | <b>1</b>     | <b>1</b>     | <b>1</b>     | <b>10</b> | -             | <b>K-19054-00-0-1</b> |                |
| -    | Handle connector-pin                          | -                                  | -            | -            | -            | -            | -            | -            | -            | -            | -         | 1             | 6-37090-00-0-1        |                |
| 22   | Corner-drive with M.D.                        | 1                                  | 1            | 1            | 1            | 1            | 1            | 1            | 1            | 1            | -         | 1             | 6-37120-00-0-1        |                |
| 26   | Clamping bracket                              | 1                                  | 1            | 1            | 1            | 1            | 1            | 1            | 1            | 1            | -         | 1             | 9-48157-00-0-1        |                |
| 29   | T&T tilter                                    | 1                                  | 1            | 1            | 1            | 1            | 1            | 1            | 1            | 1            | -         | 1             | 6-37258-00-0-1        |                |
| 31   | Run-up block, sash part                       | 1                                  | 1            | 1            | -            | -            | -            | -            | -            | -            | -         | 1             | 9-40404-00-0-1        |                |
| 34   | T&T fanlight hinge                            | 1                                  | 1            | 1            | 1            | 1            | 1            | 1            | 1            | 1            | -         | 1             | 6-37441-00-0-1        |                |
| 40   | Corner-drive C-L                              | -                                  | 1            | 1            | 1            | 2            | 2            | 1            | 2            | 2            | 50        | -             | 6-37266-00-0-1        |                |
| 42   | Packer for corner-drive C-L *                 | -                                  | 1            | 1            | 1            | 2            | 2            | 1            | 2            | 2            | 100       | -             | 9-48466-00-0-1        |                |
| 45   | Locking cam                                   | with hinge-side 510, 710           | -            | 2            | 4            | 2            | 4            | 6            | 2            | 4            | 6         | 100           | -                     | 6-37111-00-0-8 |
|      |   | with hinge-side CC610              | -            | 3            | 5            | 2            | 5            | 7            | 2            | 5            | 7         | 100           | -                     |                |
|      | <b>Set of additional stays</b>                | -                                  | -            | -            | -            | -            | -            | <b>1</b>     | <b>1</b>     | <b>1</b>     | <b>10</b> | -             | <b>K-19013-00-0-1</b> |                |
| 50   | Stay-arm, additional stay                     | -                                  | -            | -            | -            | -            | -            | 1            | 1            | 1            | -         | 1             | 6-37840-00-0-1        |                |
| 51   | Stay-guide, additional stay                   | -                                  | -            | -            | -            | -            | -            | 1            | 1            | 1            | -         | 1             | 6-37841-00-0-1        |                |
| 52   | Opening restrictor                            | with hinge-side 510, 710           | -            | -            | -            | -            | -            | -            | 1            | 1            | 1         | -             | 1                     | 6-38803-00-0-1 |
| 53   | Adapter for additional stay                   | with hinge-side 510                | -            | -            | -            | -            | -            | -            | 1            | 1            | 1         | 10            | -                     | 9-50638-00-0-1 |
| 55   | Striker                                       | with hinge-side 510, 710 for A=2.0 | 1            | 3            | 5            | 3            | 5            | 7            | 3            | 5            | 7         | 100           | -                     | 6-37261-01-0-1 |
|      |   | with hinge-side 510, 710 for A=1.5 | -            | -            | -            | -            | -            | -            | -            | -            | -         | 100           | -                     | 6-37261-02-0-1 |
|      |   | with hinge-side CC610 for A=2.0    | 1            | 4            | 6            | 3            | 6            | 8            | 3            | 6            | 8         | 100           | -                     | 6-37261-01-0-1 |
|      |   | with hinge-side CC610 for A=1.5    | -            | -            | -            | -            | -            | -            | -            | -            | -         | 100           | -                     | 6-37261-02-0-1 |
| 59   | T&T striker                                   | for A=2.0                          | 1            | 1            | 1            | 1            | 1            | 1            | 1            | 1            | 1         | 100           | -                     | 6-39907-01-0-1 |
|      |   | for A=1.5                          | -            | -            | -            | -            | -            | -            | -            | -            | -         | 100           | -                     | 6-39907-02-0-1 |
| 80   | DIRIGENT-F turn handle                        | 1                                  | 1            | 1            | 1            | 1            | 1            | 1            | 1            | 1            | 10        | -             | 6-28072-25-0-11       |                |
| 85   | Countersunk screw M5x30                       | 2                                  | 2            | 2            | 2            | 2            | 2            | 2            | 2            | 2            | 2         | 100           | -                     | 9-13255-30-0-1 |
|      | <b>Alternative to item 10 with item 22</b>    |                                    |              |              |              |              |              |              |              |              |           |               |                       |                |
| 11   | Insertable gear with M.D.                     | 1                                  | 1            | 1            | 1            | 1            | 1            | 1            | 1            | 1            | 10        | -             | K-21012-00-0-1        |                |
|      | <b>Corner-drive without M.D.</b>              | <b>1</b>                           | <b>1</b>     | <b>1</b>     | <b>1</b>     | <b>1</b>     | <b>1</b>     | <b>1</b>     | <b>1</b>     | <b>1</b>     | <b>50</b> | -             | <b>K-19774-00-0-1</b> |                |
| 24   | Corner-drive without M.D. (only with item 11) | 1                                  | 1            | 1            | 1            | 1            | 1            | 1            | 1            | 1            | -         | 1             | 6-37264-00-0-1        |                |
| 26   | Clamping bracket                              | 1                                  | 1            | 1            | 1            | 1            | 1            | 1            | 1            | 1            | -         | 1             | 9-48157-00-0-1        |                |

\* Only with deep groove with groove width 13.6-15 mm and groove depth 5.5-7 mm.



# Standard hardware set overviews

## Tilt-First window with geared turn handle



# Standard hardware set overviews



## Tilt-First window with geared turn handle



| Item | Description | Piece(s)    |              |              |              |              |              |              |              |              | PU | Qty. in K-set | Order number |
|------|-------------|-------------|--------------|--------------|--------------|--------------|--------------|--------------|--------------|--------------|----|---------------|--------------|
|      |             | SW 395-1200 |              |              | SW 1201-1350 |              |              | SW 1351-1700 |              |              |    |               |              |
|      |             | SH 500-1200 | SH 1201-2200 | SH 2201-2800 | SH 860-1200  | SH 1201-2200 | SH 2201-2800 | SH 960-1200  | SH 1201-2200 | SH 2201-2800 |    |               |              |

|    |                                       |          |          |          |          |          |          |          |          |          |           |   |                       |
|----|---------------------------------------|----------|----------|----------|----------|----------|----------|----------|----------|----------|-----------|---|-----------------------|
|    | <b>TF set, central locking system</b> | <b>1</b> | <b>1</b> | <b>1</b> | <b>1</b> | <b>1</b> | <b>1</b> | <b>1</b> | <b>1</b> | <b>1</b> | <b>10</b> | - | <b>K-19084-00-0-1</b> |
| 5  | Handle connector-pin                  | 1        | 1        | 1        | 1        | 1        | 1        | 1        | 1        | 1        | -         | 1 | 6-37090-00-0-1        |
| 22 | Corner-drive with M.D.                | 1        | 1        | 1        | 1        | 1        | 1        | 1        | 1        | 1        | -         | 1 | 6-37120-00-0-1        |
| 23 | Tilt corner-drive TF                  | 1        | 1        | 1        | 1        | 1        | 1        | 1        | 1        | 1        | -         | 1 | 6-38687-00-0-1        |
| 26 | Clamping bracket                      | 2        | 2        | 2        | 2        | 2        | 2        | 2        | 2        | 2        | -         | 2 | 9-48157-00-0-1        |
| 35 | Tilt-First striker                    | 1        | 1        | 1        | 1        | 1        | 1        | 1        | 1        | 1        | -         | 1 | 6-38686-00-0-1        |
| 36 | Run-up block tilt corner-drive TF     | 1        | 1        | 1        | 1        | 1        | 1        | 1        | 1        | 1        | -         | 1 | 6-38696-00-0-1        |

|    |                               |   |   |   |   |   |   |   |   |   |     |     |                |                |
|----|-------------------------------|---|---|---|---|---|---|---|---|---|-----|-----|----------------|----------------|
| 40 | Corner-drive C-L              | -   | 1 | 1 | - | 1 | 1 | - | 1 | 1 | 50  | -   | 6-37266-00-0-1 |                |
| 42 | Packer for corner-drive C-L * | -   | 1 | 1 | - | 1 | 1 | - | 1 | 1 | 100 | -   | 9-48466-00-0-1 |                |
| 45 | Locking cam                   | with hinge-side 510, 710                  | - | 2 | 4 | 2 | 4 | 6 | 2 | 4 | 6   | 100 | -              | 6-37111-00-0-8 |
|    |                               | with hinge-side CC610                     | - | 3 | 5 | 2 | 5 | 7 | 2 | 5 | 7   | 100 | -              |                |
|    |                               | with hinge-side 510, 710 connector item 6 | - | 1 | 4 | 2 | 3 | 6 | 2 | 3 | 6   | 100 | -              |                |
|    |                               | with hinge-side CC610 connector item 6    | - | 2 | 5 | 2 | 4 | 7 | 2 | 4 | 7   | 100 | -              |                |

|    |                                |                          |   |   |   |   |   |          |          |          |           |   |                       |
|----|--------------------------------|--------------------------|---|---|---|---|---|----------|----------|----------|-----------|---|-----------------------|
|    | <b>Set of additional stays</b> | -                        | - | - | - | - | - | <b>1</b> | <b>1</b> | <b>1</b> | <b>10</b> | - | <b>K-19013-00-0-1</b> |
| 50 | Stay-arm, additional stay      | -                        | - | - | - | - | - | 1        | 1        | 1        | -         | 1 | 6-37840-00-0-1        |
| 51 | Stay-guide, additional stay    | -                        | - | - | - | - | - | 1        | 1        | 1        | -         | 1 | 6-37841-00-0-1        |
| 52 | Opening restrictor             | with hinge-side 510, 710 | - | - | - | - | - | 1        | 1        | 1        | -         | 1 | 6-38803-00-0-1        |

|    |                             |                     |   |   |   |   |   |   |   |   |    |   |                |
|----|-----------------------------|---------------------|---|---|---|---|---|---|---|---|----|---|----------------|
| 53 | Adapter for additional stay | with hinge-side 510 | - | - | - | - | - | 1 | 1 | 1 | 10 | - | 9-50638-00-0-1 |
|----|-----------------------------|---------------------|---|---|---|---|---|---|---|---|----|---|----------------|

|    |                                       |                                    |   |   |   |   |   |   |   |   |   |     |     |                |                |
|----|---------------------------------------|------------------------------------|---|---|---|---|---|---|---|---|---|-----|-----|----------------|----------------|
| 55 | Striker                               | with hinge-side 510, 710 for A=2.0 | 1 | 3 | 5 | 3 | 5 | 7 | 3 | 5 | 7 | 100 | -   | 6-37261-01-0-1 |                |
|    |                                       | with hinge-side 510, 710 for A=1.5 |   |   |   |   |   |   |   |   |   |     | 100 | -              | 6-37261-02-0-1 |
|    |                                       | with hinge-side CC610 for A=2.0    | 1 | 4 | 6 | 3 | 6 | 8 | 3 | 6 | 8 |     | 100 | -              | 6-37261-01-0-1 |
|    |                                       | with hinge-side CC610 for A=1.5    |   |   |   |   |   |   |   |   |   |     | 100 | -              | 6-37261-02-0-1 |
| 65 | SPACIO geared turn handle with screws | HP 96/104                          | 1 | 1 | 1 | 1 | 1 | 1 | 1 | 1 | 1 | 10  | -   | G-46551-96-0-1 |                |
|    |                                       | HP 84/98                           |   |   |   |   |   |   |   |   |   |     | 10  | -              | G-46551-00-0-1 |

**Alternative to item 22**

|    |   |           |          |          |          |          |          |          |          |          |          |           |                |                       |
|----|---|-----------|----------|----------|----------|----------|----------|----------|----------|----------|----------|-----------|----------------|-----------------------|
| 76 | Mishandling device                            | HP 96/104 | 1        | 1        | 1        | 1        | 1        | 1        | 1        | 1        | 1        | 10        | -              | 6-31065-40-0-1        |
|    |   | HP 84/98  |          |          |          |          |          |          |          |          |          |           | 10             | -                     |
|    | <b>Corner-drive without M.D.</b>              |           | <b>1</b> | <b>1</b> | <b>1</b> | <b>1</b> | <b>1</b> | <b>1</b> | <b>1</b> | <b>1</b> | <b>1</b> | <b>50</b> | -              | <b>K-19774-00-0-1</b> |
| 24 | Corner-drive without M.D. (only with item 76) |           | 1        | 1        | 1        | 1        | 1        | 1        | 1        | 1        | -        | 1         | 6-37264-00-0-1 |                       |
| 26 | Clamping bracket                              |           | 1        | 1        | 1        | 1        | 1        | 1        | 1        | 1        | -        | 1         | 9-48157-00-0-1 |                       |

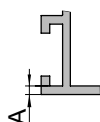
**Alternative to item 5**

|   |                                      |  |   |   |   |   |   |   |   |   |   |    |   |                |
|---|--------------------------------------|--|---|---|---|---|---|---|---|---|---|----|---|----------------|
| 6 | Connector for divided connecting rod |  | 1 | 1 | 1 | 1 | 1 | 1 | 1 | 1 | 1 | 50 | - | 6-37257-00-0-1 |
|---|--------------------------------------|--|---|---|---|---|---|---|---|---|---|----|---|----------------|

**Accessories**

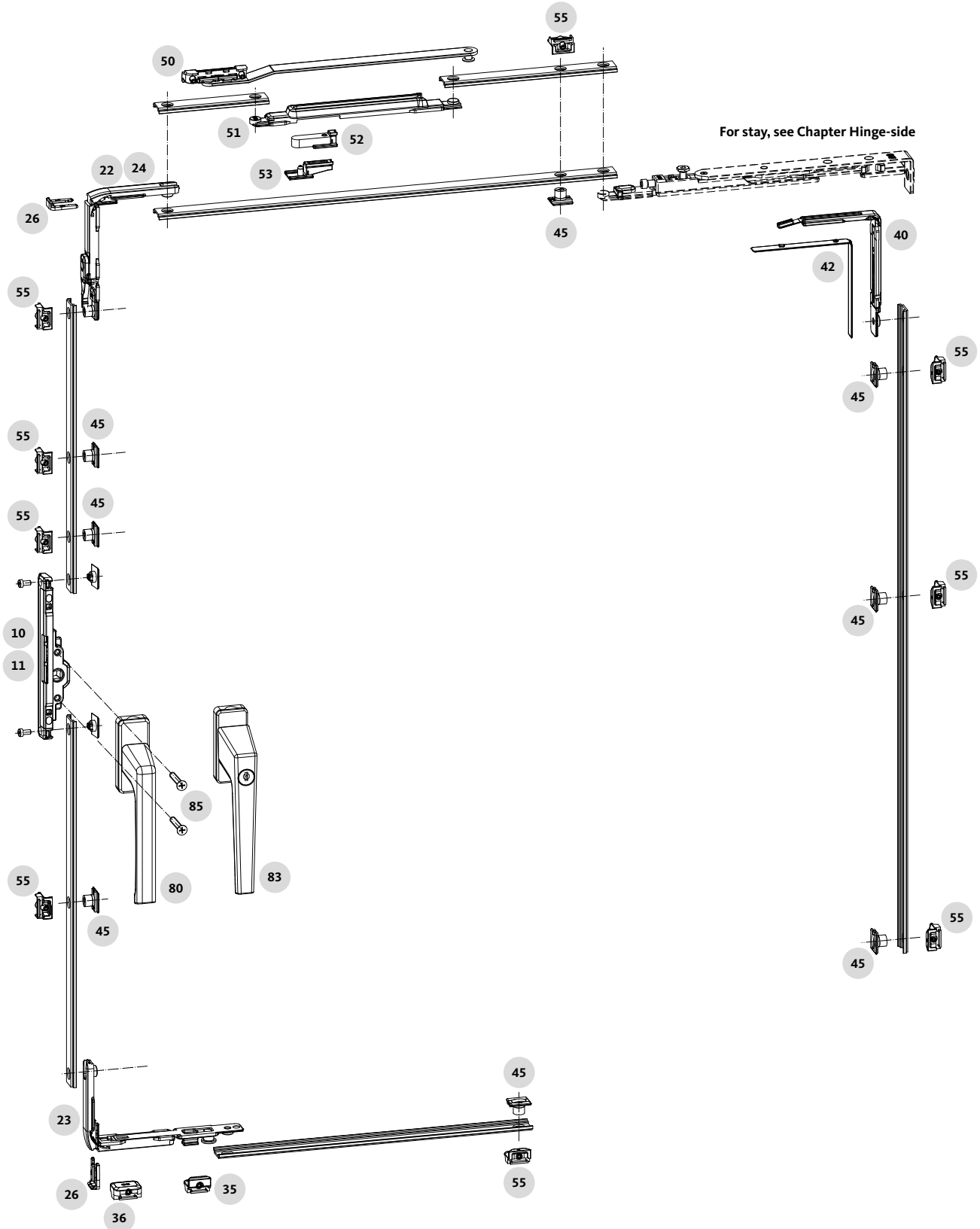
|     |  |  |   |   |   |   |   |   |   |   |   |     |   |                |
|-----|--|--|---|---|---|---|---|---|---|---|---|-----|---|----------------|
| 150 | Packer plate for geared turn handle ** |  | 2 | 2 | 2 | 2 | 2 | 2 | 2 | 2 | 2 | 100 | - | 9-50091-00-0-8 |
|-----|--|--|---|---|---|---|---|---|---|---|---|-----|---|----------------|

\* Only with deep groove 13.6-15 mm wide and 5.5-7 mm deep. | \*\* For reinforcement of the sash overlap. Recommended for larger, heavier sashes.



# Standard hardware set overviews

## Tilt-First window with insertable gear





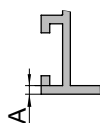
# Standard hardware set overviews

## Tilt-First window with insertable gear



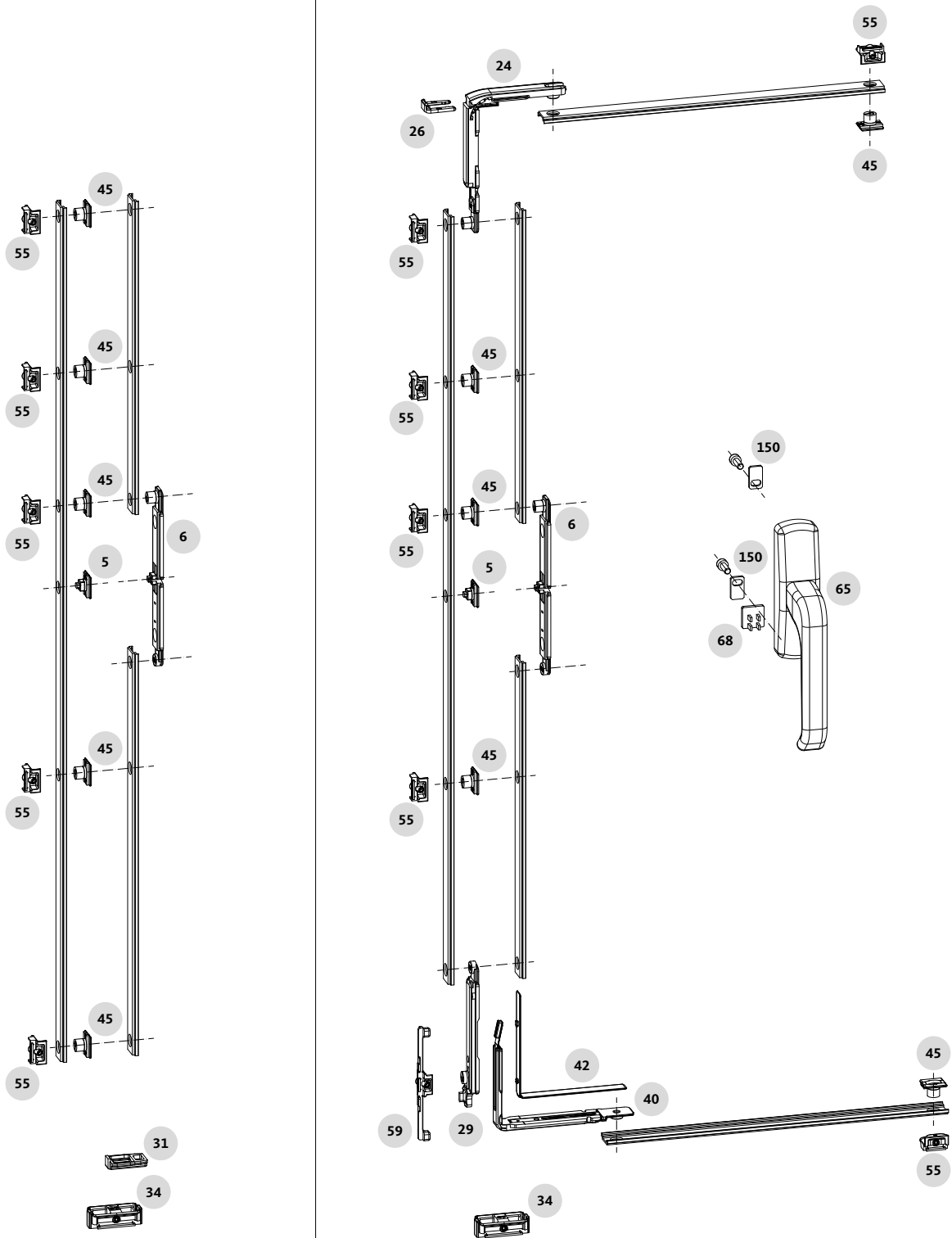
| Item                                       | Description                                   | Piece(s)                           |              |              |              |              |              |              |              |              | PU        | Qty. in K-set | Order number          |                |
|--|---|------------------------------------|--------------|--------------|--------------|--------------|--------------|--------------|--------------|--------------|-----------|---------------|-----------------------|----------------|
|  |   | SW 395-1200                        |              |              | SW 1201-1350 |              |              | SW 1351-1700 |              |              |           |               |                       |                |
|  |   | SH 500-1200                        | SH 1201-2200 | SH 2201-2800 | SH 860-1200  | SH 1201-2200 | SH 2201-2800 | SH 960-1200  | SH 1201-2200 | SH 2201-2800 |           |               |                       |                |
| 10   | Insertable gear w/o M.D.                      | 1                                  | 1            | 1            | 1            | 1            | 1            | 1            | 1            | 1            | 10        | -             | K-21013-00-0-1        |                |
|  | <b>TF set, central locking system</b>         | <b>1</b>                           | <b>1</b>     | <b>1</b>     | <b>1</b>     | <b>1</b>     | <b>1</b>     | <b>1</b>     | <b>1</b>     | <b>1</b>     | <b>10</b> | <b>-</b>      | <b>K-19084-00-0-1</b> |                |
| -  | Handle connector-pin                          | -                                  | -            | -            | -            | -            | -            | -            | -            | -            | -         | 1             | 6-37090-00-0-1        |                |
| 22   | Corner-drive with M.D.                        | 1                                  | 1            | 1            | 1            | 1            | 1            | 1            | 1            | 1            | -         | 1             | 6-37120-00-0-1        |                |
| 23   | Tilt corner-drive TF                          | 1                                  | 1            | 1            | 1            | 1            | 1            | 1            | 1            | 1            | -         | 1             | 6-38687-00-0-1        |                |
| 26   | Clamping bracket                              | 2                                  | 2            | 2            | 2            | 2            | 2            | 2            | 2            | 2            | -         | 2             | 9-48157-00-0-1        |                |
| 35   | Tilt-First striker                            | 1                                  | 1            | 1            | 1            | 1            | 1            | 1            | 1            | 1            | -         | 1             | 6-38686-00-0-1        |                |
| 36   | Run-up block tilt corner-drive TF             | 1                                  | 1            | 1            | 1            | 1            | 1            | 1            | 1            | 1            | -         | 1             | 6-38696-00-0-1        |                |
| 40   | Corner-drive C-L                              | -                                  | 1            | 1            | -            | 1            | 1            | -            | 1            | 1            | 50        | -             | 6-37266-00-0-1        |                |
| 42   | Packer for corner-drive C-L *                 | -                                  | 1            | 1            | -            | 1            | 1            | -            | 1            | 1            | 100       | -             | 9-48466-00-0-1        |                |
| 45   | Locking cam                                   | with hinge-side 510, 710           | -            | 2            | 4            | 2            | 4            | 6            | 2            | 4            | 6         | 100           | -                     | 6-37111-00-0-8 |
|  |   | with hinge-side CC610              | -            | 3            | 5            | 2            | 5            | 7            | 2            | 5            | 7         | 100           | -                     |                |
|  | <b>Set of additional stays</b>                | <b>-</b>                           | <b>-</b>     | <b>-</b>     | <b>-</b>     | <b>-</b>     | <b>-</b>     | <b>1</b>     | <b>1</b>     | <b>1</b>     | <b>10</b> | <b>-</b>      | <b>K-19013-00-0-1</b> |                |
| 50   | Stay-arm, additional stay                     | -                                  | -            | -            | -            | -            | -            | 1            | 1            | 1            | -         | 1             | 6-37840-00-0-1        |                |
| 51   | Stay-guide, additional stay                   | -                                  | -            | -            | -            | -            | -            | 1            | 1            | 1            | -         | 1             | 6-37841-00-0-1        |                |
| 52   | Opening restrictor                            | with hinge-side 510, 710           | -            | -            | -            | -            | -            | -            | 1            | 1            | 1         | -             | 1                     | 6-38803-00-0-1 |
| 53   | Adapter for additional stay                   | with hinge-side 510                | -            | -            | -            | -            | -            | -            | 1            | 1            | 1         | 10            | -                     | 9-50638-00-0-1 |
| 55   | Striker                                       | with hinge-side 510, 710 for A=2.0 | 1            | 3            | 5            | 3            | 5            | 7            | 3            | 5            | 7         | 100           | -                     | 6-37261-01-0-1 |
|  |   | with hinge-side 510, 710 for A=1.5 |              |              |              |              |              |              |              |              |           | 100           | -                     | 6-37261-02-0-1 |
|  |   | with hinge-side CC610 for A=2.0    | 1            | 4            | 6            | 3            | 6            | 8            | 3            | 6            | 8         | 100           | -                     | 6-37261-01-0-1 |
|  |   | with hinge-side CC610 for A=1.5    |              |              |              |              |              |              |              |              |           | 100           | -                     | 6-37261-02-0-1 |
| 80   | DIRIGENT-F turn handle                        | 1                                  | 1            | 1            | 1            | 1            | 1            | 1            | 1            | 1            | 10        | -             | 6-28072-25-0-11       |                |
| 83   | DIRIGENT turn handle Tilt-First, lockable     | 1                                  | 1            | 1            | 1            | 1            | 1            | 1            | 1            | 1            | 10        | -             | 6-31557-29-0-11       |                |
| 85   | Countersunk screw M5x30                       | 2                                  | 2            | 2            | 2            | 2            | 2            | 2            | 2            | 2            | 100       | -             | 9-13255-30-0-1        |                |
| <b>Alternative to item 10 with item 22</b> |   |                                    |              |              |              |              |              |              |              |              |           |               |                       |                |
| 11   | Insertable gear with M.D.                     | 1                                  | 1            | 1            | 1            | 1            | 1            | 1            | 1            | 1            | 10        | -             | K-21012-00-0-1        |                |
|  | <b>Corner-drive without M.D.</b>              | <b>1</b>                           | <b>1</b>     | <b>1</b>     | <b>1</b>     | <b>1</b>     | <b>1</b>     | <b>1</b>     | <b>1</b>     | <b>1</b>     | <b>50</b> | <b>-</b>      | <b>K-19774-00-0-1</b> |                |
| 24   | Corner-drive without M.D. (only with item 11) | 1                                  | 1            | 1            | 1            | 1            | 1            | 1            | 1            | 1            | -         | 1             | 6-37264-00-0-1        |                |
| 26   | Clamping bracket                              | 1                                  | 1            | 1            | 1            | 1            | 1            | 1            | 1            | 1            | -         | 1             | 9-48157-00-0-1        |                |

\* Only with deep groove with groove width 13.6-15 mm and groove depth 5.5-7 mm.



# Standard hardware set overviews

Turn-Only window with standard central locking system and geared turn handle



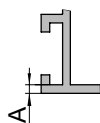
# Standard hardware set overviews

## Turn-Only window with standard central locking system and geared turn handle



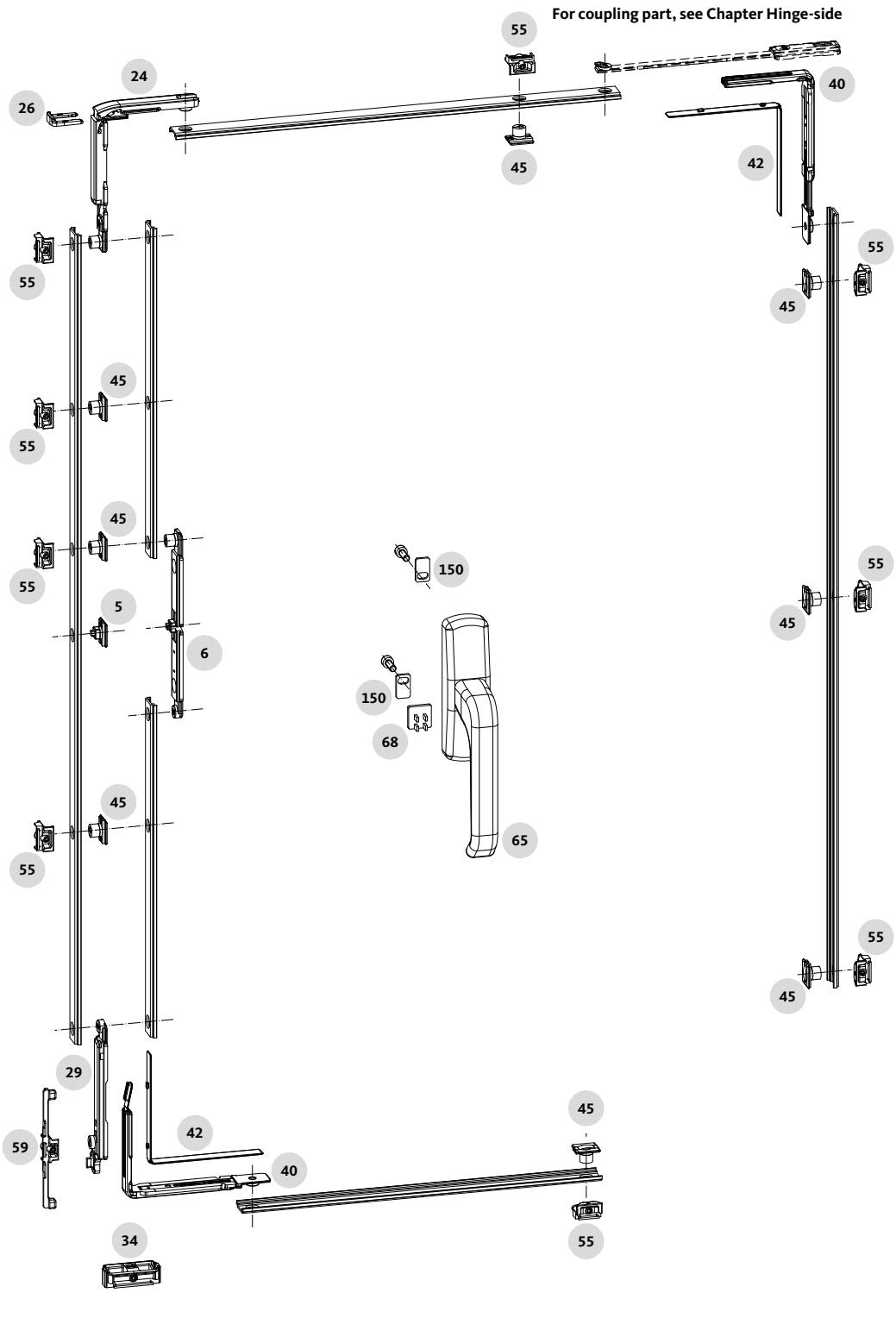
| Item                         | Description                                       | Piece(s)                         |              |              |              |              |              | PU  | Qty. in K- set | Order number          |                |                |
|------------------------------|---|----------------------------------|--------------|--------------|--------------|--------------|--------------|-----|----------------|-----------------------|----------------|----------------|
|                              |   | SW 200-1200                      |              |              | SW 1201-1700 |              |              |     |                |                       |                |                |
|                              |   | SH 410-1200                      | SH 1201-2200 | SH 2201-2800 | SH 860-1200  | SH 1201-2200 | SH 2201-2800 |     |                |                       |                |                |
| 5                            | Handle connector-pin                              | 1                                | 1            | 1            | 1            | 1            | 1            | 100 | -              | 6-37090-00-0-1        |                |                |
|                              | <b>Corner-drive without M.D.</b>                  | -                                | -            | -            | 1            | 1            | 1            | 50  | -              | <b>K-19774-00-0-1</b> |                |                |
| 24                           | Corner-drive without M.D.                         | -                                | -            | -            | 1            | 1            | 1            | -   | 1              | 6-37264-00-0-1        |                |                |
| 26                           | Clamping bracket                                  | -                                | -            | -            | 1            | 1            | 1            | -   | 1              | 9-48157-00-0-1        |                |                |
| 29                           | T&T tilter  | -                                | -            | -            | 1            | 1            | 1            | 50  | -              | 6-37258-00-0-1        |                |                |
| 31                           | Run-up block, sash part                           | 1                                | 1            | 1            | -            | -            | -            | 10  | -              | 9-40404-00-0-1        |                |                |
| 34                           | T&T fanlight hinge                                | 1                                | 1            | 1            | 1            | 1            | 1            | 100 | -              | 6-37441-00-0-1        |                |                |
| 40                           | Corner-drive C-L                                  | -                                | -            | -            | 1            | 1            | 1            | 50  | -              | 6-37266-00-0-1        |                |                |
| 42                           | Packer for corner-drive C-L *                     | -                                | -            | -            | 1            | 1            | 1            | 100 | -              | 9-48466-00-0-1        |                |                |
| 45                           | Locking cam                                       | with handle connector-pin item 5 |              | 2            | 3            | 4            | 2            | 3   | 4              | 100                   | -              | 6-37111-00-0-8 |
|                              |   | with connector item 6            |              | 2            | 2            | 4            | 2            | 2   | 4              | 100                   | -              |                |
| 55                           | Striker   | for A=2.0                        |              | 2            | 3            | 4            | 3            | 4   | 5              | 100                   | -              | 6-37261-01-0-1 |
|                              |   | for A=1.5                        |              |              |              |              |              |     |                |                       | 100            | -              |
| 59                           | T&T striker                                       | for A=2.0                        |              | -            | -            | -            | 1            | 1   | 1              | 100                   | -              | 6-39907-01-0-1 |
|                              |   | for A=1.5                        |              |              |              |              |              |     |                |                       | 100            | -              |
| 65                           | SPACIO geared turn handle with screws             | HP 96/104                        |              | 1            | 1            | 1            | 1            | 1   | 1              | 10                    | -              | G-46551-96-0-1 |
|                              |   | HP 84/98                         |              |              |              |              |              |     |                |                       | 10             | -              |
| <b>Alternative to item 5</b> |   |                                  |              |              |              |              |              |     |                |                       |                |                |
| 6                            | Connector for divided connecting rod              | 1                                | 1            | 1            | 1            | 1            | 1            | 1   | 50             | -                     | 6-37257-00-0-1 |                |
| <b>Accessories</b>           |   |                                  |              |              |              |              |              |     |                |                       |                |                |
| 68                           | 90° turn-restrictor for SPACIO geared turn handle | 1                                | 1            | 1            | 1            | 1            | 1            | 1   | 10             | -                     | 9-34612-00-0-6 |                |
| 150                          | Packer plate for geared turn handle **            | 2                                | 2            | 2            | 2            | 2            | 2            | 2   | 100            | -                     | 9-50091-00-0-8 |                |

\* Only with deep groove 13.6-15 mm wide and 5.5-7 mm deep. | \*\* For reinforcement of the sash overlap. Recommended for larger, heavier sashes.



# Standard hardware set overviews

Turn-Only window with standard central locking system and geared turn handle, CC610 and hinge-side locking



# Standard hardware set overviews

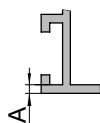


Turn-Only window with standard central locking system and geared turn handle, CC610 and hinge-side locking



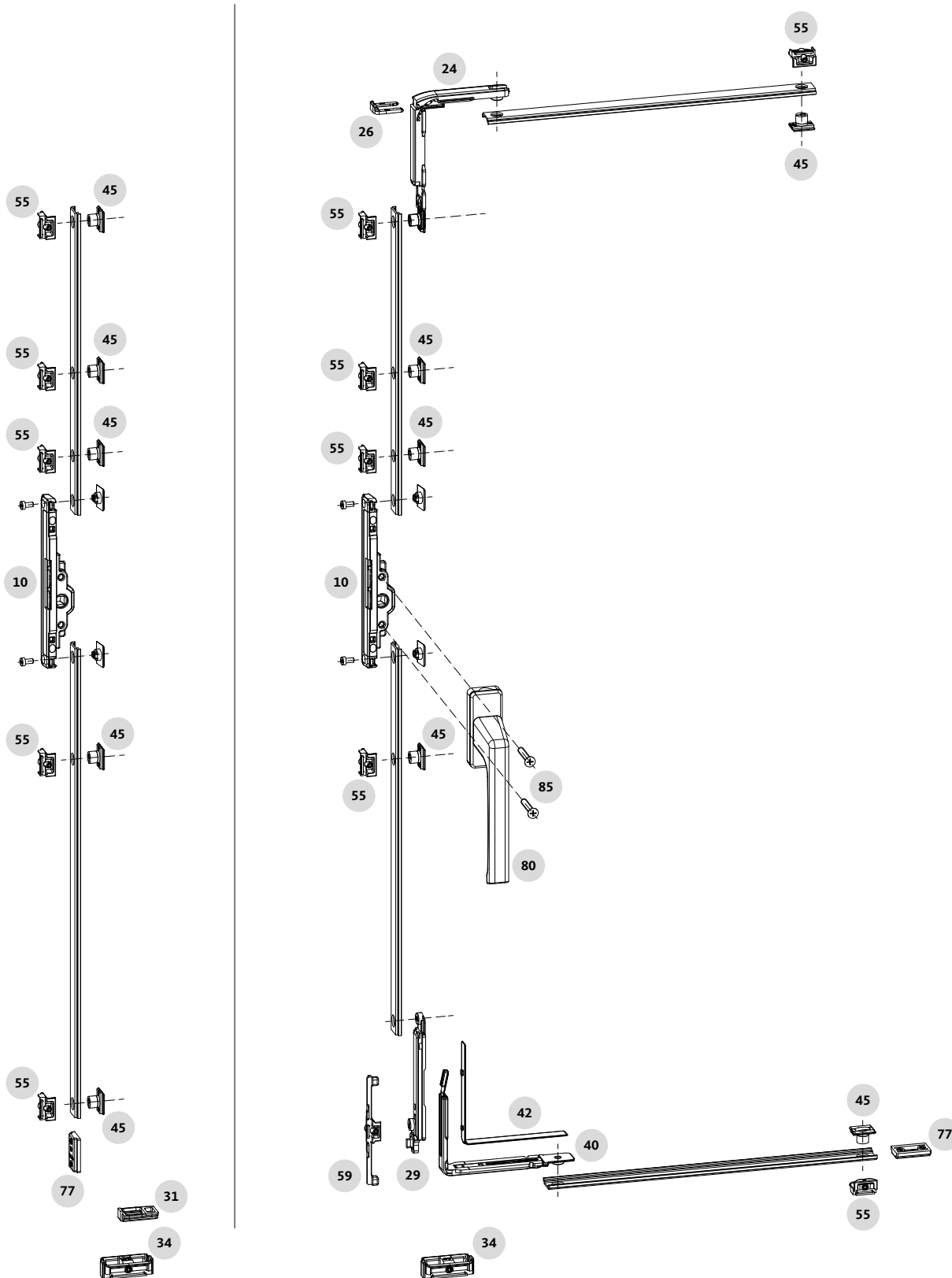
| Item                         | Description                                       | Piece(s)                         |                              |              |              | PU        | Qty. in K-set | Order number          |                |
|------------------------------|---|----------------------------------|------------------------------|--------------|--------------|-----------|---------------|-----------------------|----------------|
|                              |   | SW 341-1200<br>SH 1201-2200      | SW 1201-1600<br>SH 2201-2800 | SH 1201-2200 | SH 2201-2800 |           |               |                       |                |
| 5                            | Handle connector-pin                              | 1                                | 1                            | 1            | 1            | 100       | -             | 6-37090-00-0-1        |                |
|                              | <b>Corner-drive without M.D.</b>                  | <b>1</b>                         | <b>1</b>                     | <b>1</b>     | <b>1</b>     | <b>50</b> | <b>-</b>      | <b>K-19774-00-0-1</b> |                |
| 24                           | Corner-drive without M.D.                         | 1                                | 1                            | 1            | 1            | -         | 1             | 6-37264-00-0-1        |                |
| 26                           | Clamping bracket                                  | 1                                | 1                            | 1            | 1            | -         | 1             | 9-48157-00-0-1        |                |
| 29                           | T&T tilter  | -                                | -                            | 1            | 1            | 50        | -             | 6-37258-00-0-1        |                |
| 31                           | Run-up block, sash part                           | 1                                | 1                            | -            | -            | 10        | -             | 9-40404-00-0-1        |                |
| 34                           | T&T fanlight hinge                                | 1                                | 1                            | 1            | 1            | 100       | -             | 6-37441-00-0-1        |                |
| 40                           | Corner-drive C-L                                  | 1                                | 1                            | 2            | 2            | 50        | -             | 6-37266-00-0-1        |                |
| 42                           | Packer for corner-drive C-L *                     | 1                                | 1                            | 2            | 2            | 100       | -             | 9-48466-00-0-1        |                |
| 45                           | Locking cam                                       | with handle connector-pin item 5 | 4                            | 6            | 5            | 7         | 100           | -                     | 6-37111-00-0-8 |
|                              |   | with connector item 6            | 3                            | 6            | 4            | 7         | 100           | -                     |                |
| 55                           | Striker   | for A=2.0                        | 5                            | 7            | 6            | 8         | 100           | -                     | 6-37261-01-0-1 |
|                              |   | for A=1.5                        |                              |              |              |           | 100           | -                     | 6-37261-02-0-1 |
| 59                           | T&T striker                                       | for A=2.0                        | -                            | -            | 1            | 1         | 100           | -                     | 6-39907-01-0-1 |
|                              |   | for A=1.5                        |                              |              |              |           | 100           | -                     | 6-39907-02-0-1 |
| 65                           | SPACIO geared turn handle with screws             | HP 96/104                        | 1                            | 1            | 1            | 1         | 10            | -                     | G-46551-96-0-1 |
|                              |   | HP 84/98                         |                              |              |              |           | 10            | -                     | G-46551-00-0-1 |
| <b>Alternative to item 5</b> |   |                                  |                              |              |              |           |               |                       |                |
| 6                            | Connector for divided connecting rod              | 1                                | 1                            | 1            | 1            | 50        | -             | 6-37257-00-0-1        |                |
| <b>Accessories</b>           |   |                                  |                              |              |              |           |               |                       |                |
| 68                           | 90° turn-restrictor for SPACIO geared turn handle | 1                                | 1                            | 1            | 1            | 10        | -             | 9-34612-00-0-6        |                |
| 150                          | Packer plate for geared turn handle **            | 2                                | 2                            | 2            | 2            | 100       | -             | 9-50091-00-0-8        |                |

\* Only with deep groove 13.6-15 mm wide and 5.5-7 mm deep. | \*\* For reinforcement of the sash overlap. Recommended for larger, heavier sashes.



# Standard hardware set overviews

Turn-Only window with standard central locking system and insertable gear



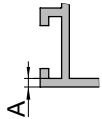
# Standard hardware set overviews

## Turn-Only window with standard central locking system and insertable gear



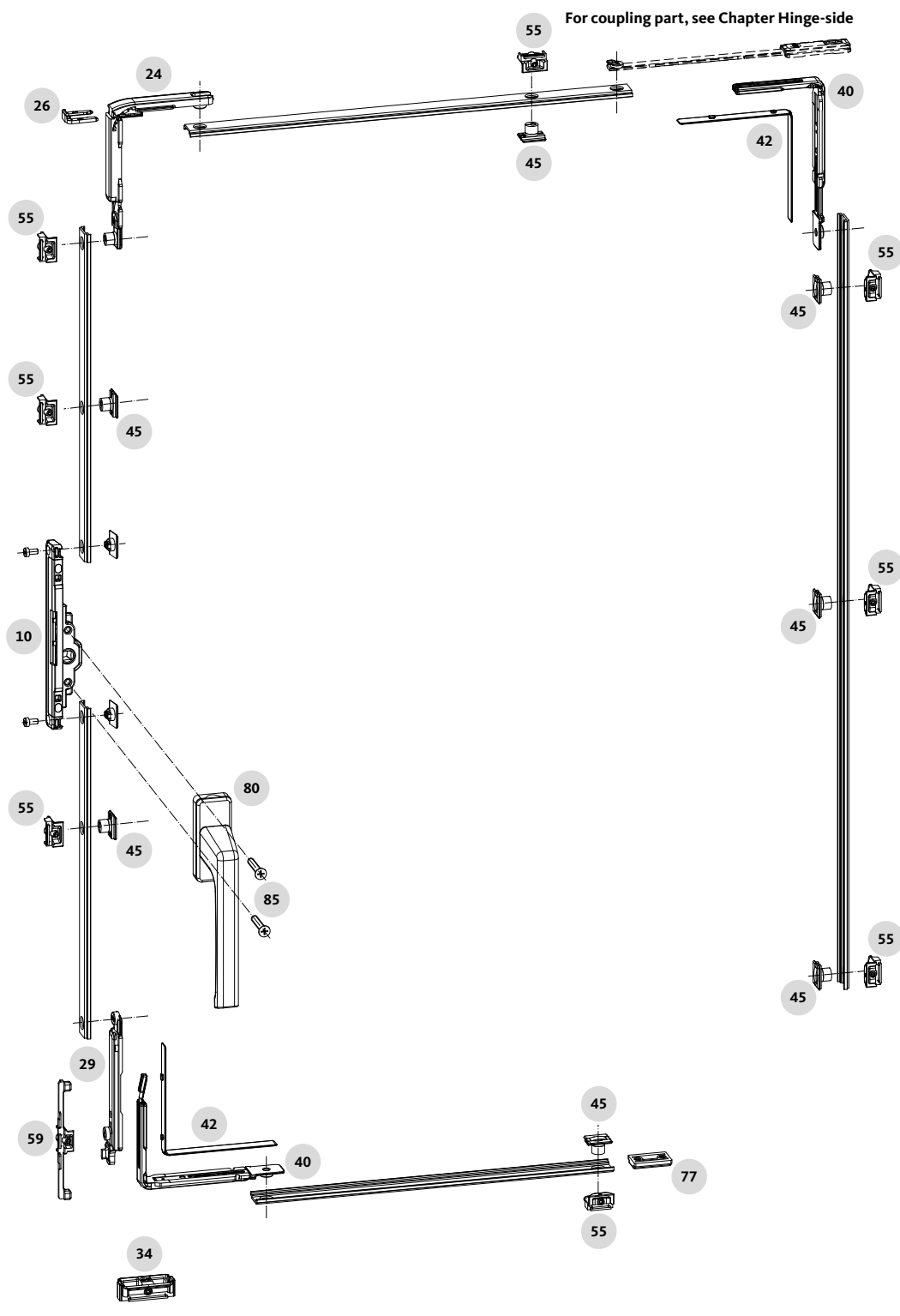
| Item               | Description                      | Piece(s)    |              |              |              |              |              | PU  | Qty. in K-set | Order number          |
|--------------------|----------------------------------|-------------|--------------|--------------|--------------|--------------|--------------|-----|---------------|-----------------------|
|                    |                                  | SW 200-1200 |              |              | SW 1201-1700 |              |              |     |               |                       |
|                    |                                  | SH 410-1200 | SH 1201-2200 | SH 2201-2800 | SH 860-1200  | SH 1201-2200 | SH 2201-2800 |     |               |                       |
| 10                 | Insertable gear w/o M.D.         | 1           | 1            | 1            | 1            | 1            | 1            | 10  | -             | K-21013-00-0-1        |
|                    | <b>Corner-drive without M.D.</b> | -           | -            | -            | 1            | 1            | 1            | 50  | -             | <b>K-19774-00-0-1</b> |
| 24                 | Corner-drive without M.D.        | -           | -            | -            | 1            | 1            | 1            | -   | 1             | 6-37264-00-0-1        |
| 26                 | Clamping bracket                 | -           | -            | -            | 1            | 1            | 1            | -   | 1             | 9-48157-00-0-1        |
| 29                 | T&T tilter                       | -           | -            | -            | 1            | 1            | 1            | 50  | -             | 6-37258-00-0-1        |
| 31                 | Run-up block, sash part          | 1           | 1            | 1            | -            | -            | -            | 10  | -             | 9-40404-00-0-1        |
| 34                 | T&T fanlight hinge               | 1           | 1            | 1            | 1            | 1            | 1            | 100 | -             | 6-37441-00-0-1        |
| 40                 | Corner-drive C-L                 | -           | -            | -            | 1            | 1            | 1            | 50  | -             | 6-37266-00-0-1        |
| 42                 | Packer for corner-drive C-L *    | -           | -            | -            | 1            | 1            | 1            | 100 | -             | 9-48466-00-0-1        |
| 45                 | Locking cam                      | 2           | 3            | 4            | 2            | 3            | 4            | 100 | -             | 6-37111-00-0-8        |
| 55                 | Striker                          | for A=2.0   |              | 4            | 3            | 4            | 5            | 100 | -             | 6-37261-01-0-1        |
|                    |                                  | for A=1.5   |              |              |              |              |              | 100 | -             | 6-37261-02-0-1        |
| 59                 | T&T striker                      | for A=2.0   |              | -            | -            | -            | 1            | 100 | -             | 6-39907-01-0-1        |
|                    |                                  | for A=1.5   |              |              |              |              |              | 100 | -             | 6-39907-02-0-1        |
| 80                 | DIRIGENT-F turn handle           | 1           | 1            | 1            | 1            | 1            | 1            | 10  | -             | 6-28072-25-0-11       |
| 85                 | Countersunk screw M5x30          | 2           | 2            | 2            | 2            | 2            | 2            | 100 | -             | 9-13255-30-0-1        |
| <b>Accessories</b> |                                  |             |              |              |              |              |              |     |               |                       |
| 77                 | Stop (90° turn-restrictor)       | 1           | 1            | 1            | 1            | 1            | 1            | 10  | -             | G-12943-00-0-1        |

\* Only with deep groove with groove width 13.6-15 mm and groove depth 5.5-7 mm.



# Standard hardware set overviews

Turn-Only window with standard central locking system and insertable gear, CC610 and hinge-side locking





# Standard hardware set overviews

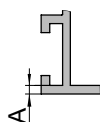


Turn-Only window with standard central locking system and insertable gear, CC610 and hinge-side locking



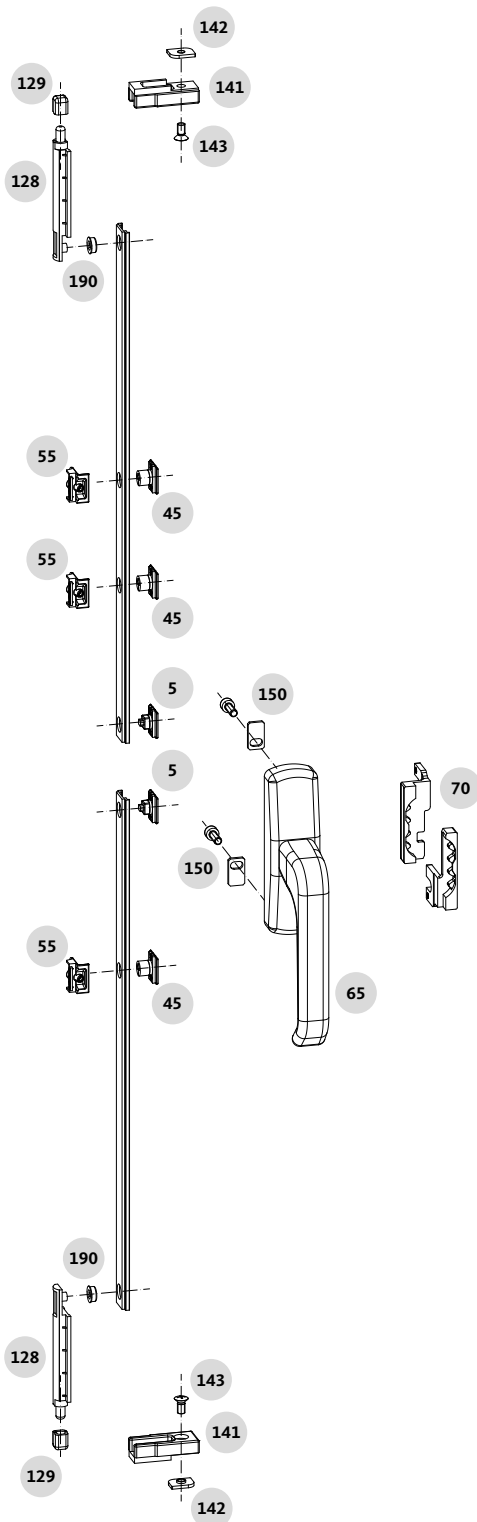
| Item               | Description                      | Piece(s)     |              |              |              | PU        | Qty. in K- set | Order number          |                |
|--------------------|----------------------------------|--------------|--------------|--------------|--------------|-----------|----------------|-----------------------|----------------|
|                    |                                  | SW 341-1200  |              | SW 1201-1600 |              |           |                |                       |                |
|                    |                                  | SH 1201-2200 | SH 2201-2800 | SH 1201-2200 | SH 2201-2800 |           |                |                       |                |
| 10                 | Insertable gear w/o M.D.         | 1            | 1            | 1            | 1            | 10        | -              | K-21013-00-0-1        |                |
|                    | <b>Corner-drive without M.D.</b> | <b>1</b>     | <b>1</b>     | <b>1</b>     | <b>1</b>     | <b>50</b> | <b>-</b>       | <b>K-19774-00-0-1</b> |                |
| 24                 | Corner-drive without M.D.        | 1            | 1            | 1            | 1            | -         | 1              | 6-37264-00-0-1        |                |
| 26                 | Clamping bracket                 | 1            | 1            | 1            | 1            | -         | 1              | 9-48157-00-0-1        |                |
| 29                 | T&T tilter                       | -            | -            | 1            | 1            | 50        | -              | 6-37258-00-0-1        |                |
| 31                 | Run-up block, sash part          | 1            | 1            | -            | -            | 10        | -              | 9-40404-00-0-1        |                |
| 34                 | T&T fanlight hinge               | 1            | 1            | 1            | 1            | 100       | -              | 6-37441-00-0-1        |                |
| 40                 | Corner-drive C-L                 | 1            | 1            | 2            | 2            | 50        | -              | 6-37266-00-0-1        |                |
| 42                 | Packer for corner-drive C-L *    | 1            | 1            | 2            | 2            | 100       | -              | 9-48466-00-0-1        |                |
| 45                 | Locking cam                      | 4            | 6            | 5            | 7            | 100       | -              | 6-37111-00-0-8        |                |
| 55                 | Striker                          | for A=2.0    | 5            | 7            | 6            | 8         | 100            | -                     | 6-37261-01-0-1 |
|                    |                                  | for A=1.5    |              |              |              |           | 100            | -                     | 6-37261-02-0-1 |
| 59                 | T&T striker                      | for A=2.0    | -            | -            | 1            | 1         | 100            | -                     | 6-39907-01-0-1 |
|                    |                                  | for A=1.5    |              |              |              |           | 100            | -                     | 6-39907-02-0-1 |
| 80                 | DIRIGENT-F turn handle           | 1            | 1            | 1            | 1            | 10        | -              | 6-28072-25-0-11       |                |
| 85                 | Countersunk screw M5x30          | 2            | 2            | 2            | 2            | 100       | -              | 9-13255-30-0-1        |                |
| <b>Accessories</b> |                                  |              |              |              |              |           |                |                       |                |
| 77                 | Stop (90° turn-restrictor)       | 1            | 1            | 1            | 1            | 10        | -              | G-12943-00-0-1        |                |

\* Only with deep groove with groove width 13.6-15 mm and groove depth 5.5-7 mm.



# Standard hardware set overviews

Turn-Only window with shoot-bolt and SPACIO geared turn handle  
(only frame groove 14/18)



# Standard hardware set overviews

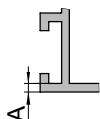


## Turn-Only window with shoot-bolt and SPACIO geared turn handle (only frame groove 14/18)



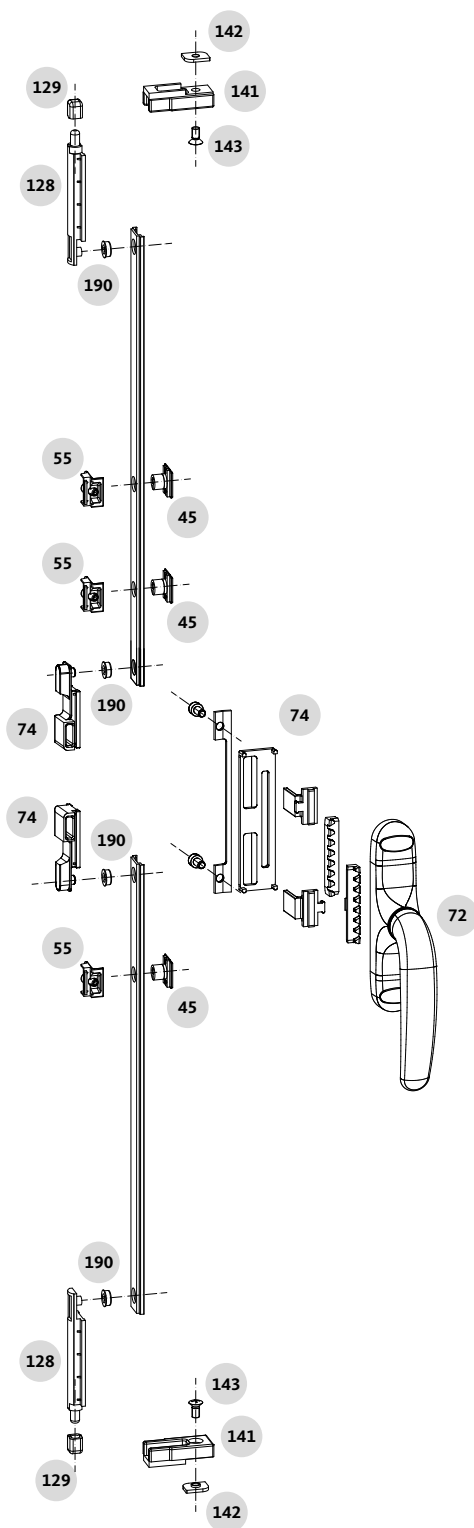
| Item | Description  | Piece(s)    |              |              | PU        | Qty. in K-set | Order number          |                |
|------|--|-------------|--------------|--------------|-----------|---------------|-----------------------|----------------|
|      |  | SH 310-1200 | SH 1201-2200 | SH 2201-2800 |           |               |                       |                |
|      |  | SW 200-1200 |              |              |           |               |                       |                |
| 5    | Handle connector-pin                                     | 2           | 2            | 2            | 100       | -             | 6-37090-00-0-1        |                |
| 45   | Locking cam  | -           | 1            | 2            | 100       | -             | 6-37111-00-0-8        |                |
| 55   | Striker  | for A=2.0   | -            | 1            | 2         | 100           | -                     | 6-37261-01-0-1 |
|      |  | for A=1.5   | -            | 1            | 2         | 100           | -                     | 6-37261-02-0-1 |
| 65   | SPACIO geared turn handle with screws                    | HP 96/104   | 1            | 1            | 1         | 10            | -                     | G-46551-96-0-1 |
|      |  | HP 84/98    | 1            | 1            | 1         | 10            | -                     | G-46551-00-0-1 |
| 70   | SPACIO conversion kit for expansion gear handle          | DIN left    | 1            | 1            | 1         | 10            | -                     | G-46550-00-L-1 |
|      |  | DIN right   | 1            | 1            | 1         | 10            | -                     | G-46550-00-R-1 |
|      | <b>TU-ON + ST-DCN connecting rod shoot-bolt set</b>      | <b>2</b>    | <b>2</b>     | <b>2</b>     | <b>10</b> | <b>-</b>      | <b>K-15817-00-0-1</b> |                |
| 128  | Connecting rod shoot-bolt                                | 2           | 2            | 2            | -         | 1             | 6-31727-00-0-1        |                |
| 129  | CR shoot-bolt eccentric cap                              | 2           | 2            | 2            | -         | 1             | 9-41515-00-0-1        |                |
|      | <b>TU-ON connecting rod shoot-bolt striker set 14/18</b> | <b>2</b>    | <b>2</b>     | <b>2</b>     | <b>10</b> | <b>-</b>      | <b>K-15819-00-0-1</b> |                |
| 141  | CR shoot-bolt striker 14/18                              | 2           | 2            | 2            | -         | 1             | 9-41516-00-0-1        |                |
| 142  | Clamping piece 14/18                                     | 2           | 2            | 2            | -         | 1             | 9-41517-00-0-1        |                |
| 143  | Raised countersunk-head screw M5x10                      | 2           | 2            | 2            | -         | 1             | 9-13369-10-R-1        |                |
| 190  | Adapter ring Ø6 to Ø10                                   | 2           | 2            | 2            | 100       | -             | 9-48454-00-0-6        |                |
|      | <b>Accessories</b>                                       |             |              |              |           |               |                       |                |
| 150  | Packer plate for geared turn handle **                   | 2           | 2            | 2            | 100       | -             | 9-50091-00-0-8        |                |

\*\* For reinforcement of the sash overlap. Recommended for larger, heavier sashes.



# Standard hardware set overviews

Turn-Only window with shoot-bolt and ADAGIO-A geared turn handle  
(only frame groove 14/18)



# Standard hardware set overviews

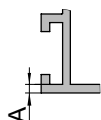


## Turn-Only window with shoot-bolt and ADAGIO-A geared turn handle (only frame groove 14/18)



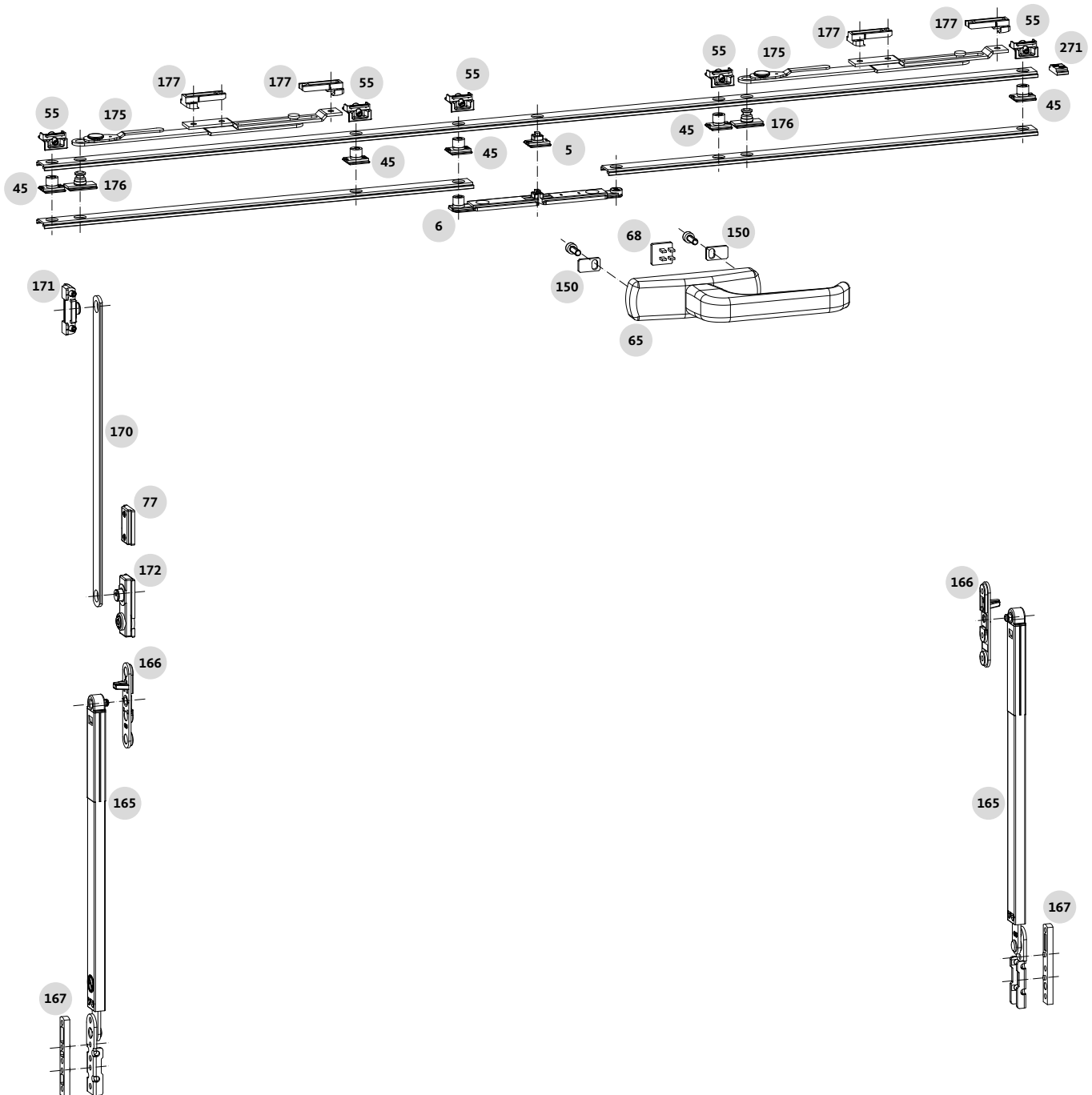
| Item               | Description  | Piece(s)    |              |              | PU       | Qty. in K-set | Order number   |                       |
|--------------------|--|-------------|--------------|--------------|----------|---------------|----------------|-----------------------|
|                    |  | SH 370-1200 | SH 1201-2200 | SH 2201-2800 |          |               |                |                       |
|                    |  | SW 200-1200 |              |              |          |               |                |                       |
| 45                 | Locking cam  | -           | 1            | 2            | 100      | -             | 6-37111-00-0-8 |                       |
| 55                 | Striker  | for A=2.0   | -            | 1            | 2        | 100           | -              | 6-37261-01-0-1        |
|                    |  | for A=1.5   | -            | 1            | 2        | 100           | -              | 6-37261-02-0-1        |
| 72                 | ADAGIO-A geared turn handle                              | HP 104      | 1            | 1            | 1        | 10            | -              | 6-31723-00-0-1        |
| 74                 | <b>ADAGIO-A carrier fork set for expansion gear</b>      |             | <b>1</b>     | <b>1</b>     | <b>1</b> | <b>10</b>     | -              | <b>K-15815-00-0-1</b> |
|                    | <b>TU-ON + ST-DCN connecting rod shoot-bolt set</b>      |             | <b>2</b>     | <b>2</b>     | <b>2</b> | <b>10</b>     | -              | <b>K-15817-00-0-1</b> |
| 128                | Connecting rod shoot-bolt                                |             | 2            | 2            | 2        | -             | 1              | 6-31727-00-0-1        |
| 129                | CR shoot-bolt eccentric cap                              |             | 2            | 2            | 2        | -             | 1              | 9-41515-00-0-1        |
|                    | <b>TU-ON connecting rod shoot-bolt striker set 14/18</b> |             | <b>2</b>     | <b>2</b>     | <b>2</b> | <b>10</b>     | -              | <b>K-15819-00-0-1</b> |
| 141                | CR shoot-bolt striker 14/18                              |             | 2            | 2            | 2        | -             | 1              | 9-41516-00-0-1        |
| 142                | Clamping piece 14/18                                     |             | 2            | 2            | 2        | -             | 1              | 9-41517-00-0-1        |
| 143                | Raised countersunk-head screw M5x10                      |             | 2            | 2            | 2        | -             | 1              | 9-13369-10-R-1        |
| 190                | Adapter ring Ø6 to Ø10                                   |             | 4            | 4            | 4        | 100           | -              | 9-48454-00-0-6        |
| <b>Accessories</b> |  |             |              |              |          |               |                |                       |
| 150                | Packer plate for geared turn handle **                   |             | 2            | 2            | 2        | 100           | -              | 9-50091-00-0-8        |

\*\* For reinforcement of the sash overlap. Recommended for larger, heavier sashes.



# Standard hardware set overviews

Tilt-Only window with geared turn handle



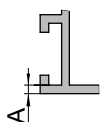
# Standard hardware set overviews

## Tilt-Only window with geared turn handle



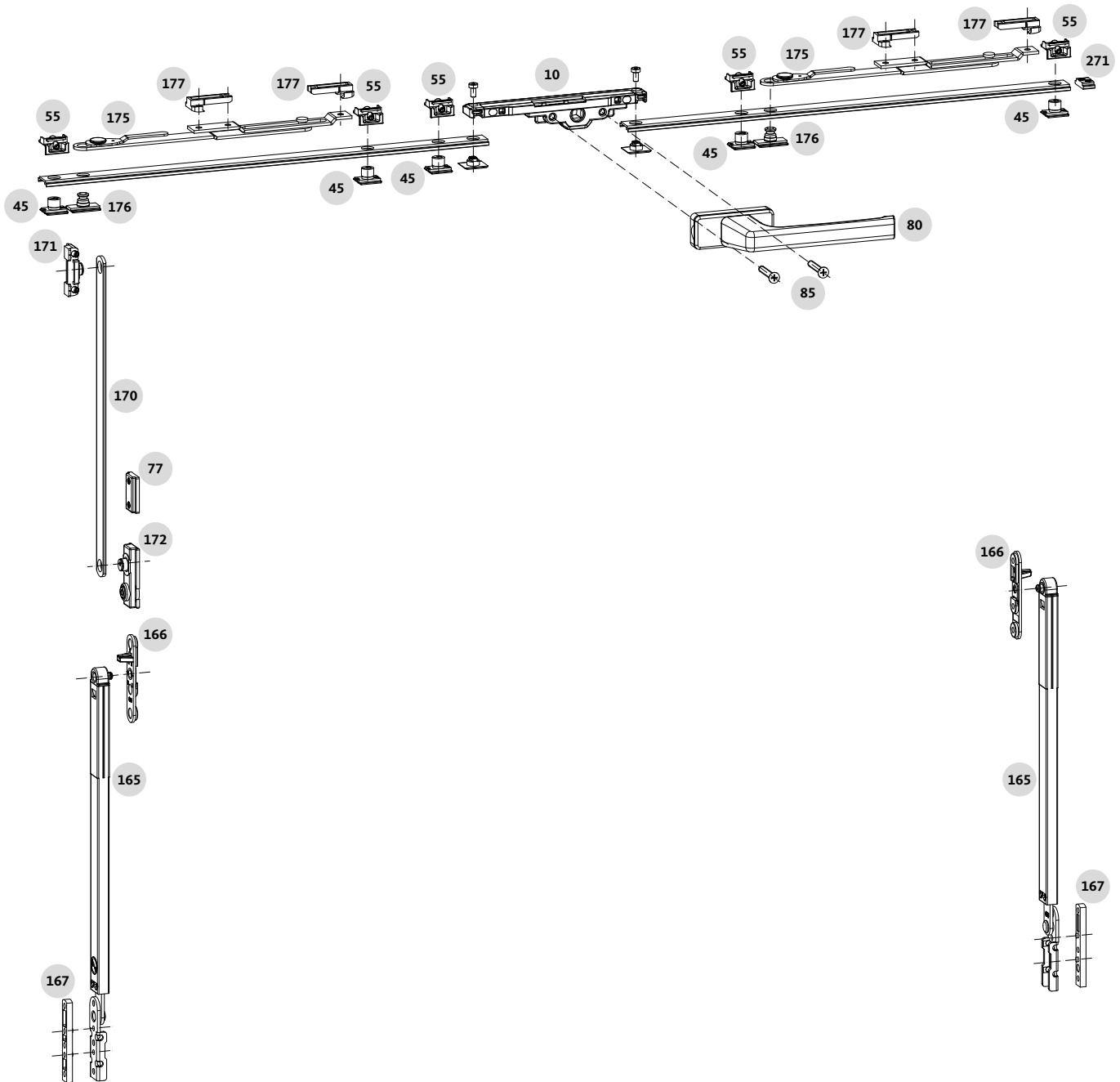
| Item       | Description   | Piece(s)                         |             |            |            |              |             |            |            |              |             |   |   | PU  | Qty. in K-set | Order number   |                |
|------------|---|----------------------------------|-------------|------------|------------|--------------|-------------|------------|------------|--------------|-------------|---|---|-----|---------------|----------------|----------------|
|            |   | with surface-mounted hinge-side  |             |            |            |              |             |            |            |              |             |   |   |     |               |                |                |
|            |   | SW 350-1000                      |             |            |            | SW 1001-1800 |             |            |            | SW 1801-2400 |             |   |   |     |               |                |                |
| SH 280-350 | SH 351-500  | SH 501-800                       | SH 801-1200 | SH 280-350 | SH 351-500 | SH 501-800   | SH 801-1200 | SH 280-350 | SH 351-500 | SH 501-800   | SH 801-1200 |   |   |     |               |                |                |
| 5          | Handle connector-pin                                    | 1                                | 1           | 1          | 1          | 1            | 1           | 1          | 1          | 1            | 1           | 1 | 1 | 100 | -             | 6-37090-00-0-1 |                |
| 45         | Locking cam   | with handle connector-pin item 5 | 2           | 2          | 2          | 2            | 3           | 3          | 3          | 3            | 5           | 5 | 5 | 5   | 100           | -              | 6-37111-00-0-8 |
|            |   | with connector item 6            | 2           | 2          | 2          | 2            | 2           | 2          | 2          | 2            | 4           | 4 | 4 | 4   | 100           | -              |                |
| 55         | Striker   | for A=2.0                        | 2           | 2          | 2          | 2            | 3           | 3          | 3          | 3            | 5           | 5 | 5 | 5   | 100           | -              | 6-37261-01-0-1 |
|            |   | for A=1.5                        |             |            |            |              |             |            |            |              |             |   |   |     | 100           | -              | 6-37261-02-0-1 |
| 65         | SPACIO geared turn handle with screws                   | HP 96/104                        | 1           | 1          | 1          | 1            | 1           | 1          | 1          | 1            | 1           | 1 | 1 | 10  | -             | G-46551-96-0-1 |                |
|            |   | HP 84/98                         |             |            |            |              |             |            |            |              |             |   |   | 10  | -             | G-46551-00-0-1 |                |
|            | Limiting stay set with brake                            | L=150                            | 1           | 1          | -          | -            | -           | -          | -          | -            | -           | - | - | 10  | -             | K-17138-15-0-1 |                |
|            |   | L=250                            | -           | -          | 1          | 1            | -           | -          | -          | -            | -           | - | - | 10  | -             | K-17138-25-0-1 |                |
| 77         | Stop (90° turn-restrictor)                              | 1                                | 1           | 1          | 1          | -            | -           | -          | -          | -            | -           | - | - | 1   | -             | G-12943-00-0-1 |                |
| 170        | Limiting stay arm                                       | L=150                            | 1           | 1          | -          | -            | -           | -          | -          | -            | -           | - | - | 1   | -             | 9-43127-15-0-8 |                |
|            |   | L=250                            | -           | -          | 1          | 1            | -           | -          | -          | -            | -           | - | - | 1   | -             | 9-43127-25-0-8 |                |
| 171        | Limiting stay, frame part                               | 1                                | 1           | 1          | 1          | -            | -           | -          | -          | -            | -           | - | - | 1   | -             | 6-33596-00-0-1 |                |
| 172        | Limiting stay, sash part                                | 1                                | 1           | 1          | 1          | -            | -           | -          | -          | -            | -           | - | - | 1   | -             | 6-33549-00-0-1 |                |
| 175        | Tilt-Only stay  | -                                | -           | -          | -          | 2            | 2           | 2          | 2          | 2            | 2           | 2 | 2 | 10  | -             | U-76500-00-0-1 |                |
| 176        | Engagement pin  | -                                | -           | -          | -          | 2            | 2           | 2          | 2          | 2            | 2           | 2 | 2 | 10  | -             | 6-40477-00-0-1 |                |
| 177        | Packer  | -                                | -           | -          | -          | 4            | 4           | 4          | 4          | 4            | 4           | 4 | 4 | 100 | -             | 9-47202-00-0-1 |                |
| 165        | EURO-SOLID restrictor and cleaning stay                 |                                  | 1           | -          | -          | -            | 2           | -          | -          | -            | 2           | - | - | -   | 10            | -              | 6-27995-01-0-8 |
|            |   |                                  | -           | 1          | -          | -            | -           | 2          | -          | -            | -           | 2 | - | -   | 10            | -              | 6-27995-02-0-8 |
|            |   |                                  | -           | -          | 1          | -            | -           | -          | 2          | -            | -           | - | 2 | -   | 10            | -              | 6-27995-03-0-8 |
|            |   |                                  | -           | -          | -          | 1            | -           | -          | -          | 2            | -           | - | - | 2   | 10            | -              | 6-27995-04-0-8 |
|            | Accessories for EURO-SOLID restrictor and cleaning stay | 1                                | 1           | 1          | 1          | 2            | 2           | 2          | 2          | 2            | 2           | 2 | 2 | 10  | -             | K-14686-00-0-1 |                |
| 166        | Lockable keeper   | 1                                | 1           | 1          | 1          | 2            | 2           | 2          | 2          | 2            | 2           | 2 | 2 | -   | 1             | 6-27992-00-0-1 |                |
| 167        | Packer  | 1                                | 1           | 1          | 1          | 2            | 2           | 2          | 2          | 2            | 2           | 2 | 2 | -   | 1             | 9-36505-05-0-1 |                |
| 271        | Stopper   | 1                                | 1           | 1          | 1          | 1            | 1           | 1          | 1          | 1            | 1           | 1 | 1 | 10  | -             | 6-39548-00-0-0 |                |
|            | <b>Alternative to item 5</b>                            |                                  |             |            |            |              |             |            |            |              |             |   |   |     |               |                |                |
| 6          | Connector for divided connecting rod                    | 1                                | 1           | 1          | 1          | 1            | 1           | 1          | 1          | 1            | 1           | 1 | 1 | 50  | -             | 6-37257-00-0-1 |                |
|            | <b>Alternative to item 271</b>                          |                                  |             |            |            |              |             |            |            |              |             |   |   |     |               |                |                |
| 68         | SPACIO 90° turn-restrictor                              | 1                                | 1           | 1          | 1          | 1            | 1           | 1          | 1          | 1            | 1           | 1 | 1 | 10  | -             | 9-34612-00-0-6 |                |
|            | <b>Accessories</b>                                      |                                  |             |            |            |              |             |            |            |              |             |   |   |     |               |                |                |
| 150        | Packer plate for geared turn handle **                  | 2                                | 2           | 2          | 2          | 2            | 2           | 2          | 2          | 2            | 2           | 2 | 2 | 100 | -             | 9-50091-00-0-8 |                |

\*\* For reinforcement of the sash overlap. Recommended for larger, heavier sashes.



# Standard hardware set overviews

## Tilt-Only window with insertable gear



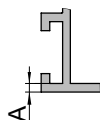


# Standard hardware set overviews

## Tilt-Only window with insertable gear

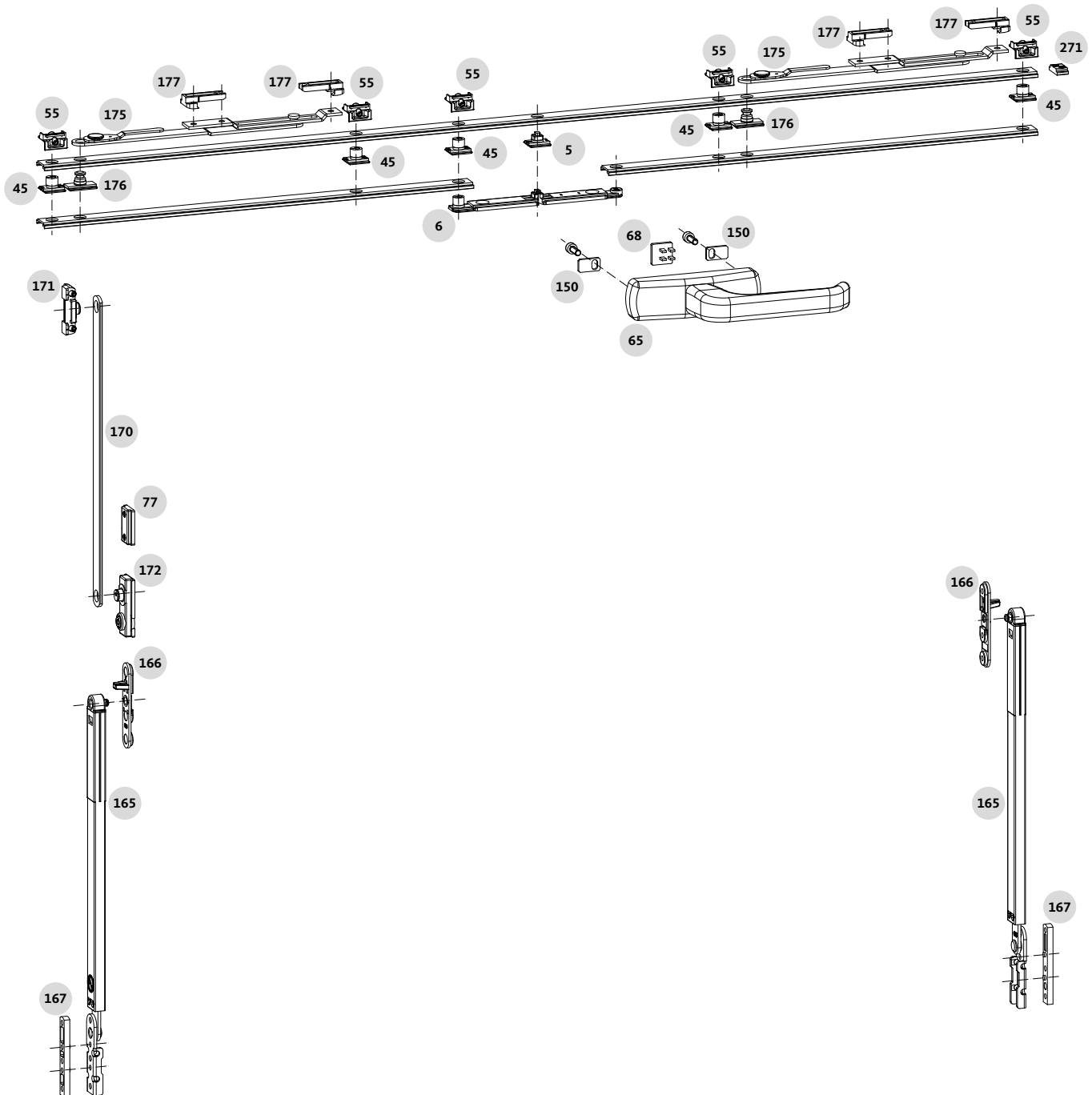


| Item       | Description   | Piece(s)                        |             |            |            |              |             |            |            |              |             |   |   | PU  | Qty. in K-set | Order number    |                |                |
|------------|---|---------------------------------|-------------|------------|------------|--------------|-------------|------------|------------|--------------|-------------|---|---|-----|---------------|-----------------|----------------|----------------|
|            |   | with surface-mounted hinge-side |             |            |            |              |             |            |            |              |             |   |   |     |               |                 |                |                |
|            |   | SW 350-1000                     |             |            |            | SW 1001-1800 |             |            |            | SW 1801-2400 |             |   |   |     |               |                 |                |                |
| SH 280-350 | SH 351-500  | SH 501-800                      | SH 801-1200 | SH 280-350 | SH 351-500 | SH 501-800   | SH 801-1200 | SH 280-350 | SH 351-500 | SH 501-800   | SH 801-1200 |   |   |     |               |                 |                |                |
| 10         | Insertable gear w/o M.D.                                | 1                               | 1           | 1          | 1          | 1            | 1           | 1          | 1          | 1            | 1           | 1 | 1 | 10  | -             | K-21013-00-0-1  |                |                |
| 45         | Locking cam   | 2                               | 2           | 2          | 2          | 3            | 3           | 3          | 3          | 5            | 5           | 5 | 5 | 100 | -             | 6-37111-00-0-8  |                |                |
| 55         | Striker   | for A=2.0                       |             | 2          | 2          | 2            | 2           | 3          | 3          | 3            | 3           | 5 | 5 | 5   | 5             | 100             | -              | 6-37261-01-0-1 |
|            |   | for A=1.5                       |             | 2          | 2          | 2            | 2           | 3          | 3          | 3            | 3           | 5 | 5 | 5   | 5             | 100             | -              | 6-37261-02-0-1 |
| 80         | DIRIGENT-F turn handle                                  | 1                               | 1           | 1          | 1          | 1            | 1           | 1          | 1          | 1            | 1           | 1 | 1 | 10  | -             | 6-28072-25-0-11 |                |                |
| 85         | Countersunk screw M5x30                                 | 2                               | 2           | 2          | 2          | 2            | 2           | 2          | 2          | 2            | 2           | 2 | 2 | 100 | -             | 9-13255-30-0-1  |                |                |
|            | Limiting stay set with brake                            | L=150                           |             | 1          | 1          | -            | -           | -          | -          | -            | -           | - | - | 10  | -             | K-17138-15-0-1  |                |                |
|            |   | L=250                           |             | -          | -          | 1            | 1           | -          | -          | -            | -           | - | - | -   | 10            | -               | K-17138-25-0-1 |                |
| 77         | Stop (90° turn-restrictor)                              | 1                               | 1           | 1          | 1          | -            | -           | -          | -          | -            | -           | - | - | 1   | -             | G-12943-00-0-1  |                |                |
| 170        | Limiting stay arm                                       | L=150                           |             | 1          | 1          | -            | -           | -          | -          | -            | -           | - | - | 1   | -             | 9-43127-15-0-8  |                |                |
|            |   | L=250                           |             | -          | -          | 1            | 1           | -          | -          | -            | -           | - | - | -   | 1             | -               | 9-43127-25-0-8 |                |
| 171        | Limiting stay, frame part                               | 1                               | 1           | 1          | 1          | -            | -           | -          | -          | -            | -           | - | - | 1   | -             | 6-33596-00-0-1  |                |                |
| 172        | Limiting stay, sash part                                | 1                               | 1           | 1          | 1          | -            | -           | -          | -          | -            | -           | - | - | 1   | -             | 6-33549-00-0-1  |                |                |
| 175        | Tilt-Only stay  | -                               | -           | -          | -          | 2            | 2           | 2          | 2          | 2            | 2           | 2 | 2 | 10  | -             | U-76500-00-0-1  |                |                |
| 176        | Engagement pin  | -                               | -           | -          | -          | 2            | 2           | 2          | 2          | 2            | 2           | 2 | 2 | 10  | -             | 6-40477-00-0-1  |                |                |
| 177        | Packer  | -                               | -           | -          | -          | 4            | 4           | 4          | 4          | 4            | 4           | 4 | 4 | 100 | -             | 9-47202-00-0-1  |                |                |
| 165        | EURO-SOLID restrictor and cleaning stay                 | 1                               | -           | -          | -          | 2            | -           | -          | -          | 2            | -           | - | - | 10  | -             | 6-27995-01-0-8  |                |                |
|            |   | -                               | 1           | -          | -          | -            | 2           | -          | -          | -            | 2           | - | - | 10  | -             | 6-27995-02-0-8  |                |                |
|            |   | -                               | -           | 1          | -          | -            | -           | 2          | -          | -            | -           | 2 | - | 10  | -             | 6-27995-03-0-8  |                |                |
|            |   | -                               | -           | -          | 1          | -            | -           | -          | 2          | -            | -           | - | 2 | 10  | -             | 6-27995-04-0-8  |                |                |
|            | Accessories for EURO-SOLID restrictor and cleaning stay | 1                               | 1           | 1          | 1          | 2            | 2           | 2          | 2          | 2            | 2           | 2 | 2 | 10  | -             | K-14686-00-0-1  |                |                |
| 166        | Lockable keeper   | 1                               | 1           | 1          | 1          | 2            | 2           | 2          | 2          | 2            | 2           | 2 | 2 | -   | 1             | 6-27992-00-0-1  |                |                |
| 167        | Packer  | 1                               | 1           | 1          | 1          | 2            | 2           | 2          | 2          | 2            | 2           | 2 | 2 | -   | 1             | 9-36505-05-0-1  |                |                |
| 271        | Stopper   | 1                               | 1           | 1          | 1          | 1            | 1           | 1          | 1          | 1            | 1           | 1 | 1 | 10  | -             | 6-39548-00-0-0  |                |                |



# Standard hardware set overviews

Tilt-Only window with geared turn handle



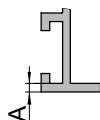
# Standard hardware set overviews

## Tilt-Only window with geared turn handle



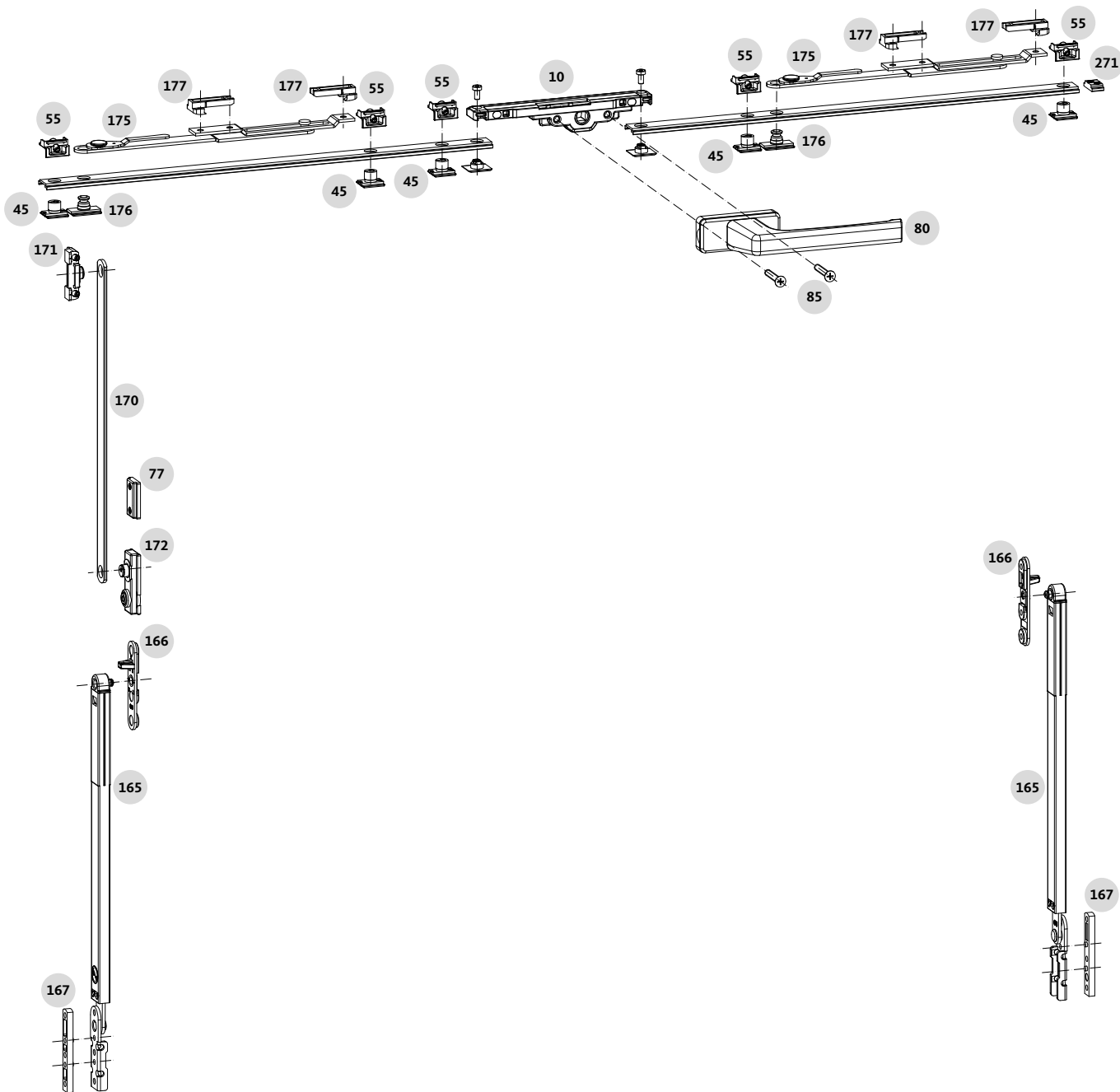
| Item       | Description  | Piece(s)                         |            |            |              |            |            |              |          |          | PU        | Qty. in K-set | Order number          |                |
|------------|--|----------------------------------|------------|------------|--------------|------------|------------|--------------|----------|----------|-----------|---------------|-----------------------|----------------|
|            |  | with concealed hinge-side        |            |            |              |            |            |              |          |          |           |               |                       |                |
|            |  | SW 350-1000                      |            |            | SW 1001-1800 |            |            | SW 1801-2400 |          |          |           |               |                       |                |
| SH 535-614 | SH 615-800   | SH 801-1200                      | SH 535-614 | SH 615-800 | SH 801-1200  | SH 535-614 | SH 615-800 | SH 801-1200  |          |          |           |               |                       |                |
| 5          | Handle connector-pin   | 1                                | 1          | 1          | 1            | 1          | 1          | 1            | 1        | 1        | 100       | -             | 6-37090-00-0-1        |                |
| 45         | Locking cam  | with handle connector-pin item 5 | 2          | 2          | 2            | 3          | 3          | 3            | 5        | 5        | 5         | 100           | -                     | 6-37111-00-0-8 |
|            |  | with connector item 6            | 2          | 2          | 2            | 2          | 2          | 2            | 4        | 4        | 4         | 100           | -                     |                |
| 55         | Striker  | for A=2.0                        | 2          | 2          | 2            | 3          | 3          | 3            | 5        | 5        | 5         | 100           | -                     | 6-37261-01-0-1 |
|            |  | for A=1.5                        |            |            |              |            |            |              |          |          |           | 100           | -                     | 6-37261-02-0-1 |
| 65         | SPACIO geared turn handle with screws                          | HP 96/104                        | 1          | 1          | 1            | 1          | 1          | 1            | 1        | 1        | 1         | 10            | -                     | G-46551-96-0-1 |
|            |  | HP 84/98                         |            |            |              |            |            |              |          |          |           | 10            | -                     | G-46551-00-0-1 |
|            | <b>Limiting stay set with brake L=250</b>                      | <b>1</b>                         | <b>1</b>   | <b>1</b>   | -            | -          | -          | -            | -        | -        | <b>10</b> | -             | <b>K-17138-25-0-1</b> |                |
| 77         | Stop (90° turn-restrictor)                                     | 1                                | 1          | 1          | -            | -          | -          | -            | -        | -        | -         | 1             | G-12943-00-0-1        |                |
| 170        | Limiting stay arm L=250  | 1                                | 1          | 1          | -            | -          | -          | -            | -        | -        | -         | 1             | 9-43127-25-0-8        |                |
| 171        | Limiting stay, frame part                                      | 1                                | 1          | 1          | -            | -          | -          | -            | -        | -        | -         | 1             | 6-33596-00-0-1        |                |
| 172        | Limiting stay, sash part                                       | 1                                | 1          | 1          | -            | -          | -          | -            | -        | -        | -         | 1             | 6-33549-00-0-1        |                |
| 175        | Tilt-Only stay   | -                                | -          | -          | 2            | 2          | 2          | 2            | 2        | 2        | 10        | -             | U-76500-00-0-1        |                |
| 176        | Engagement pin   | -                                | -          | -          | 2            | 2          | 2          | 2            | 2        | 2        | 10        | -             | 6-40477-00-0-1        |                |
| 177        | Packer   | -                                | -          | -          | 4            | 4          | 4          | 4            | 4        | 4        | 100       | -             | 9-47202-00-0-1        |                |
| 165        | EURO-SOLID restrictor and cleaning stay                        |                                  | 1          | -          | -            | 1          | -          | -            | 1        | -        | -         | 10            | -                     | 6-27995-02-0-8 |
|            |  |                                  | -          | 1          | -            | -          | 1          | -            | -        | 1        | -         | 10            | -                     | 6-27995-03-0-8 |
|            |  |                                  | -          | -          | 1            | -          | -          | 2            | -        | -        | 2         | 10            | -                     | 6-27995-04-0-8 |
|            | <b>Accessories for EURO-SOLID restrictor and cleaning stay</b> | <b>1</b>                         | <b>1</b>   | <b>1</b>   | <b>1</b>     | <b>1</b>   | <b>2</b>   | <b>1</b>     | <b>1</b> | <b>2</b> | <b>10</b> | -             | <b>K-14686-00-0-1</b> |                |
| 166        | Lockable keeper  | 1                                | 1          | 1          | 1            | 1          | 2          | 1            | 1        | 2        | -         | 1             | 6-27992-00-0-1        |                |
| 167        | Packer   | 1                                | 1          | 1          | 1            | 1          | 2          | 1            | 1        | 2        | -         | 1             | 9-36505-05-0-1        |                |
| 271        | Stopper  | 1                                | 1          | 1          | 1            | 1          | 1          | 1            | 1        | 1        | 10        | -             | 6-39548-00-0-0        |                |
|            | <b>Alternative to item 5</b>                                   |                                  |            |            |              |            |            |              |          |          |           |               |                       |                |
| 6          | Connector for divided connecting rod                           | 1                                | 1          | 1          | 1            | 1          | 1          | 1            | 1        | 1        | 50        | -             | 6-37257-00-0-1        |                |
|            | <b>Alternative to item 271</b>                                 |                                  |            |            |              |            |            |              |          |          |           |               |                       |                |
| 68         | SPACIO 90° turn-restrictor                                     | 1                                | 1          | 1          | 1            | 1          | 1          | 1            | 1        | 1        | 10        | -             | 9-34612-00-0-6        |                |
|            | <b>Accessories</b>   |                                  |            |            |              |            |            |              |          |          |           |               |                       |                |
| 150        | Packer plate for geared turn handle **                         | 2                                | 2          | 2          | 2            | 2          | 2          | 2            | 2        | 2        | 100       | -             | 9-50091-00-0-8        |                |

\*\* For reinforcement of the sash overlap. Recommended for larger, heavier sashes.



# Standard hardware set overviews

Tilt-Only window with insertable gear

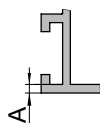


# Standard hardware set overviews

## Tilt-Only window with insertable gear

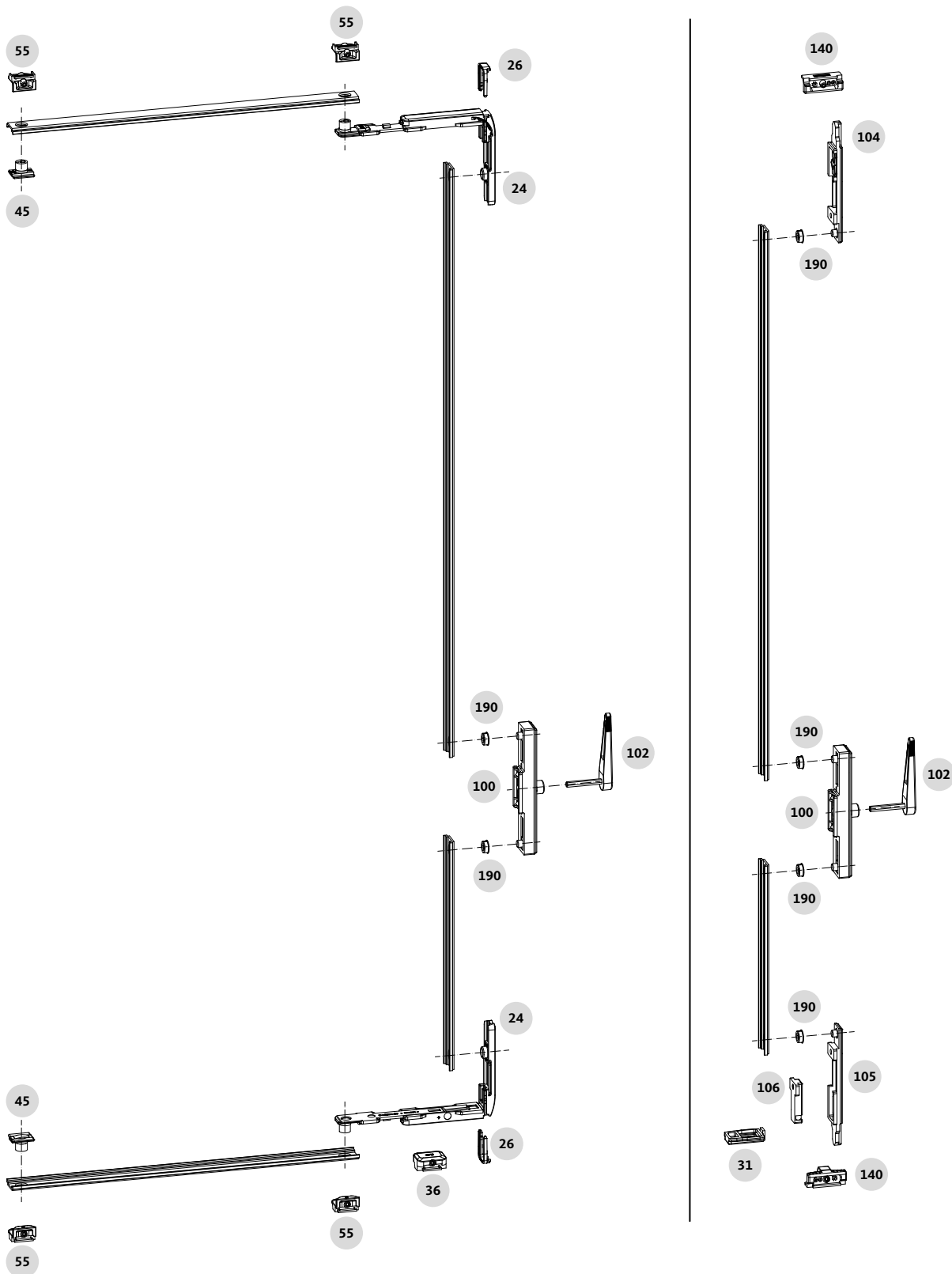


| Item       | Description  | Piece(s)                  |            |            |              |            |            |              |          |          | PU        | Qty. in K- set | Order number          |                |
|------------|--|---------------------------|------------|------------|--------------|------------|------------|--------------|----------|----------|-----------|----------------|-----------------------|----------------|
|            |  | with concealed hinge-side |            |            |              |            |            |              |          |          |           |                |                       |                |
|            |  | SW 350-1000               |            |            | SW 1001-1800 |            |            | SW 1801-2400 |          |          |           |                |                       |                |
| SH 535-614 | SH 615-800   | SH 801-1200               | SH 535-614 | SH 615-800 | SH 801-1200  | SH 535-614 | SH 615-800 | SH 801-1200  |          |          |           |                |                       |                |
| 10         | Insertable gear w/o M.D.                                       | 1                         | 1          | 1          | 1            | 1          | 1          | 1            | 1        | 1        | 10        | -              | K-21013-00-0-1        |                |
| 45         | Locking cam  | 2                         | 2          | 2          | 3            | 3          | 3          | 5            | 5        | 5        | 100       | -              | 6-37111-00-0-8        |                |
| 55         | Striker  | for A=2.0                 | 2          | 2          | 2            | 3          | 3          | 3            | 5        | 5        | 5         | 100            | -                     | 6-37261-01-0-1 |
|            |  | for A=1.5                 | 2          | 2          | 2            | 3          | 3          | 3            | 5        | 5        | 5         | 100            | -                     | 6-37261-02-0-1 |
| 80         | DIRIGENT-F turn handle   | 1                         | 1          | 1          | 1            | 1          | 1          | 1            | 1        | 1        | 10        | -              | 6-28072-25-0-11       |                |
| 85         | Countersunk screw M5x30  | 2                         | 2          | 2          | 2            | 2          | 2          | 2            | 2        | 2        | 100       | -              | 9-13255-30-0-1        |                |
|            | <b>Limiting stay set with brake L=250</b>                      | <b>1</b>                  | <b>1</b>   | <b>1</b>   | -            | -          | -          | -            | -        | -        | <b>10</b> | -              | <b>K-17138-25-0-1</b> |                |
| 77         | Stop (90° turn-restrictor)                                     | 1                         | 1          | 1          | -            | -          | -          | -            | -        | -        | 1         | -              | G-12943-00-0-1        |                |
| 170        | Limiting stay arm L=250  | 1                         | 1          | 1          | -            | -          | -          | -            | -        | -        | 1         | -              | 9-43127-25-0-8        |                |
| 171        | Limiting stay, frame part                                      | 1                         | 1          | 1          | -            | -          | -          | -            | -        | -        | 1         | -              | 6-33596-00-0-1        |                |
| 172        | Limiting stay, sash part                                       | 1                         | 1          | 1          | -            | -          | -          | -            | -        | -        | 1         | -              | 6-33549-00-0-1        |                |
| 175        | Tilt-Only stay   | -                         | -          | -          | 2            | 2          | 2          | 2            | 2        | 2        | 10        | -              | U-76500-00-0-1        |                |
| 176        | Engagement pin   | -                         | -          | -          | 2            | 2          | 2          | 2            | 2        | 2        | 10        | -              | 6-40477-00-0-1        |                |
| 177        | Packer   | -                         | -          | -          | 4            | 4          | 4          | 4            | 4        | 4        | 100       | -              | 9-47202-00-0-1        |                |
| 165        | EURO-SOLID restrictor and cleaning stay                        | 1                         | -          | -          | 1            | -          | -          | 1            | -        | -        | 10        | -              | 6-27995-02-0-8        |                |
|            |  | -                         | 1          | -          | -            | 1          | -          | -            | 1        | -        | 10        | -              | 6-27995-03-0-8        |                |
|            |  | -                         | -          | 1          | -            | -          | 2          | -            | -        | 2        | 10        | -              | 6-27995-04-0-8        |                |
|            | <b>Accessories for EURO-SOLID restrictor and cleaning stay</b> | <b>1</b>                  | <b>1</b>   | <b>1</b>   | <b>1</b>     | <b>1</b>   | <b>2</b>   | <b>1</b>     | <b>1</b> | <b>2</b> | <b>10</b> | -              | <b>K-14686-00-0-1</b> |                |
| 166        | Lockable keeper  | 1                         | 1          | 1          | 1            | 1          | 2          | 1            | 1        | 2        | -         | 1              | 6-27992-00-0-1        |                |
| 167        | Packer   | 1                         | 1          | 1          | 1            | 1          | 2          | 1            | 1        | 2        | -         | 1              | 9-36505-05-0-1        |                |
| 271        | Stopper  | 1                         | 1          | 1          | 1            | 1          | 1          | 1            | 1        | 1        | 10        | -              | 6-39548-00-0-0        |                |



# Standard hardware set overviews

Dummy mullion sash with central locking system in the sash groove (ST-FLN)



# Standard hardware set overviews

## Dummy mullion sash with central locking system in the sash groove (ST-FLN)

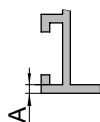


| Item | Description | Piece(s)            |                      | PU | Qty. in K-set | Order number |
|------|-------------|---------------------|----------------------|----|---------------|--------------|
|      |             | SW2<br>200-<br>1200 | SW2<br>1201-<br>1700 |    |               |              |
|      |             | SH<br>505-<br>2800  | SH<br>505-<br>2800   |    |               |              |

|    |                                  |   |   |    |   |                       |
|----|----------------------------------|---|---|----|---|-----------------------|
|    | <b>Corner-drive without M.D.</b> | - | 2 | 50 | - | <b>K-19774-00-0-1</b> |
| 24 | Corner-drive without M.D.        | - | 2 | -  | 1 | 6-37264-00-0-1        |
| 26 | Clamping bracket                 | - | 2 | -  | 1 | 9-48157-00-0-1        |

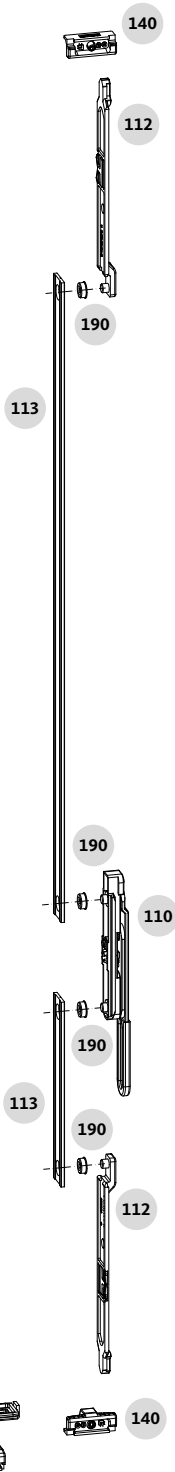
|     |                                       |   |   |    |   |                       |
|-----|---------------------------------------|---|---|----|---|-----------------------|
|     | <b>ST-FLN lever-operated gear set</b> | 1 | - | 10 | - | <b>K-19589-00-0-1</b> |
| 31  | Run-up block, sash part               | 1 | - | -  | 1 | 9-40404-00-0-1        |
| 100 | Lever-operated gear                   | 1 | 1 | -  | 1 | 6-24680-00-0-1        |
| 102 | Hand lever                            | 1 | 1 | -  | 1 | 6-23903-38-0-1        |
| 104 | Top connecting rod shoot-bolt         | 1 | - | -  | 1 | G-17509-00-0-1        |
| 105 | Bottom connecting rod shoot-bolt      | 1 | - | -  | 1 | E-12832-00-0-1        |
| 106 | Bottom keeper                         | 1 | - | -  | 1 | G-12096-00-0-1        |
| 190 | Adapter ring Ø6 to Ø10                | 4 | 2 | -  | 5 | 9-48454-00-0-6        |

|     |                                   |                             |   |     |     |                |                |
|-----|-----------------------------------|-----------------------------|---|-----|-----|----------------|----------------|
| 36  | Run-up block tilt corner-drive TF | -                           | 1 | 100 | -   | 6-38696-00-0-1 |                |
| 45  | Locking cam                       | -                           | 2 | 100 | -   | 6-37111-00-0-8 |                |
| 55  | Striker                           | for A=2.0                   | - | 4   | 100 | -              | 6-37261-01-0-1 |
|     |                                   | for A=1.5                   |   |     | 100 | -              | 6-37261-02-0-1 |
| 140 | CR shoot-bolt striker             | + 1.5 mm<br>gasket pressure | 2 | -   | 100 | -              | 6-30961-00-0-1 |
|     |                                   |                             |   |     | 100 | -              | G-19658-02-0-1 |



# Standard hardware set overviews

Dummy mullion sash with central locking system with lever-operated gear in the double C groove (ST-DCN)





# Standard hardware set overviews



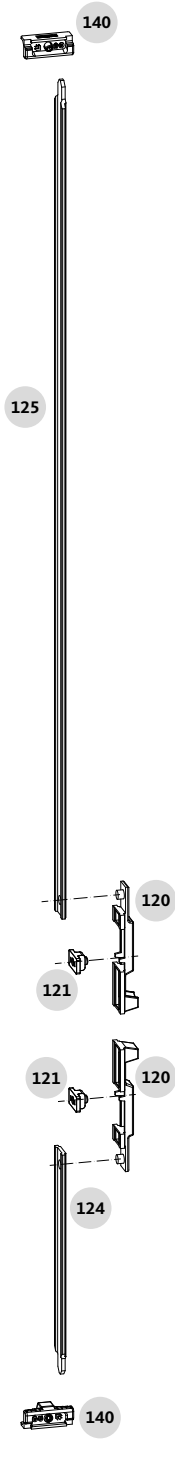
## Dummy mullion sash with central locking system with lever-operated gear in the double C groove (ST-DCN)



| Item               | Description                           | Piece(s)     |              | PU        | Qty. in K- set | Order number          |                |
|--------------------|---------------------------------------|--------------|--------------|-----------|----------------|-----------------------|----------------|
|                    |                                       | SH min.-1900 | SH 1901-2400 |           |                |                       |                |
|                    |                                       | SW2 200-1200 |              |           |                |                       |                |
|                    |                                       |              |              |           |                |                       |                |
|                    | <b>ST-DCN lever-operated gear set</b> | <b>1</b>     | <b>1</b>     | <b>10</b> | <b>-</b>       | <b>K-19590-00-0-1</b> |                |
| 110                | Lever-operated gear                   | 1            | 1            | -         | 1              | 6-37102-00-0-1        |                |
| 112                | Connecting rod shoot-bolt             | 2            | 2            | -         | 2              | 6-31038-00-0-1        |                |
| 190                | Adapter ring Ø6 to Ø10                | 4            | 4            | -         | 5              | 9-48454-00-0-6        |                |
| 113                | Connecting rod profile 15/20 ST-DCN   | 1            | 2            | 10        | -              | 9-40859-16-0-1        |                |
|                    |                                       |              |              |           | 100            | -                     | G-19658-02-0-1 |
| 140                | CR shoot-bolt striker                 | 2            | 2            |           | 100            | -                     | 6-30961-00-0-1 |
|                    | - 1.5 mm gasket pressure              |              |              |           | 100            | -                     | G-19658-03-0-1 |
|                    | + 1.5 mm gasket pressure              |              |              |           |                |                       |                |
| <b>Accessories</b> |                                       |              |              |           |                |                       |                |
| 31                 | Run-up block, sash part               | 1            | 1            | 10        | -              | 9-40404-00-0-1        |                |
| 37                 | Run-up block, frame part              | 1            | 1            | 10        | -              | 6-30998-00-0-1        |                |

# Standard hardware set overviews

Dummy mullion sash with central locking system with shoot-bolts in the double C groove (ST-DCN)



# Standard hardware set overviews



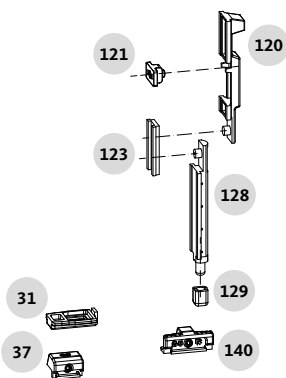
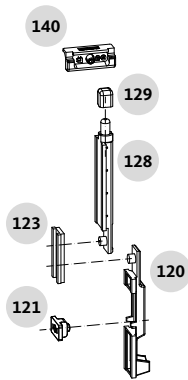
Dummy mullion sash with central locking system with shoot-bolts in the double C groove (ST-DCN)



| Item               | Description                   | Piece(s)        | PU        | Qty. in K-set | Order number          |                |
|--------------------|-------------------------------|-----------------|-----------|---------------|-----------------------|----------------|
|                    |                               | SW2<br>200-1200 |           |               |                       |                |
|                    |                               | SH<br>min.-2400 |           |               |                       |                |
|                    | <b>ST-DCN set of sliders</b>  | <b>2</b>        | <b>10</b> | <b>-</b>      | <b>K-15816-00-0-1</b> |                |
| 120                | Slider                        | 2               | -         | 1             | 9-41514-00-0-1        |                |
| 121                | Stop for slider               | 2               | -         | 1             | 6-31726-00-0-1        |                |
| -                  | Connecting rod                | -               | -         | 1             | 9-41529-00-0-1        |                |
|                    | <b>ST-DCN locking rod set</b> | <b>1</b>        | <b>10</b> | <b>-</b>      | <b>K-15818-00-0-1</b> |                |
| 124                | Locking rod 125 mm            | 1               | -         | 1             | 9-41479-12-0-1        |                |
| 125                | Locking rod 400 mm            | 1               | -         | 1             | 9-41479-40-0-1        |                |
| 140                | CR shoot-bolt striker         | 2               |           | 100           | -                     | G-19658-02-0-1 |
|                    | - 1.5 mm gasket pressure      |                 |           | 100           | -                     | 6-30961-00-0-1 |
|                    | + 1.5 mm gasket pressure      |                 |           | 100           | -                     | G-19658-03-0-1 |
| <b>Accessories</b> |                               |                 |           |               |                       |                |
| 31                 | Run-up block, sash part       | 1               | 10        | -             | 9-40404-00-0-1        |                |
| 37                 | Run-up block, frame part      | 1               | 10        | -             | 6-30998-00-0-1        |                |

# Standard hardware set overviews

Dummy mullion sash with central locking system with shoot-bolts in the double C groove (ST-DCN)



# Standard hardware set overviews



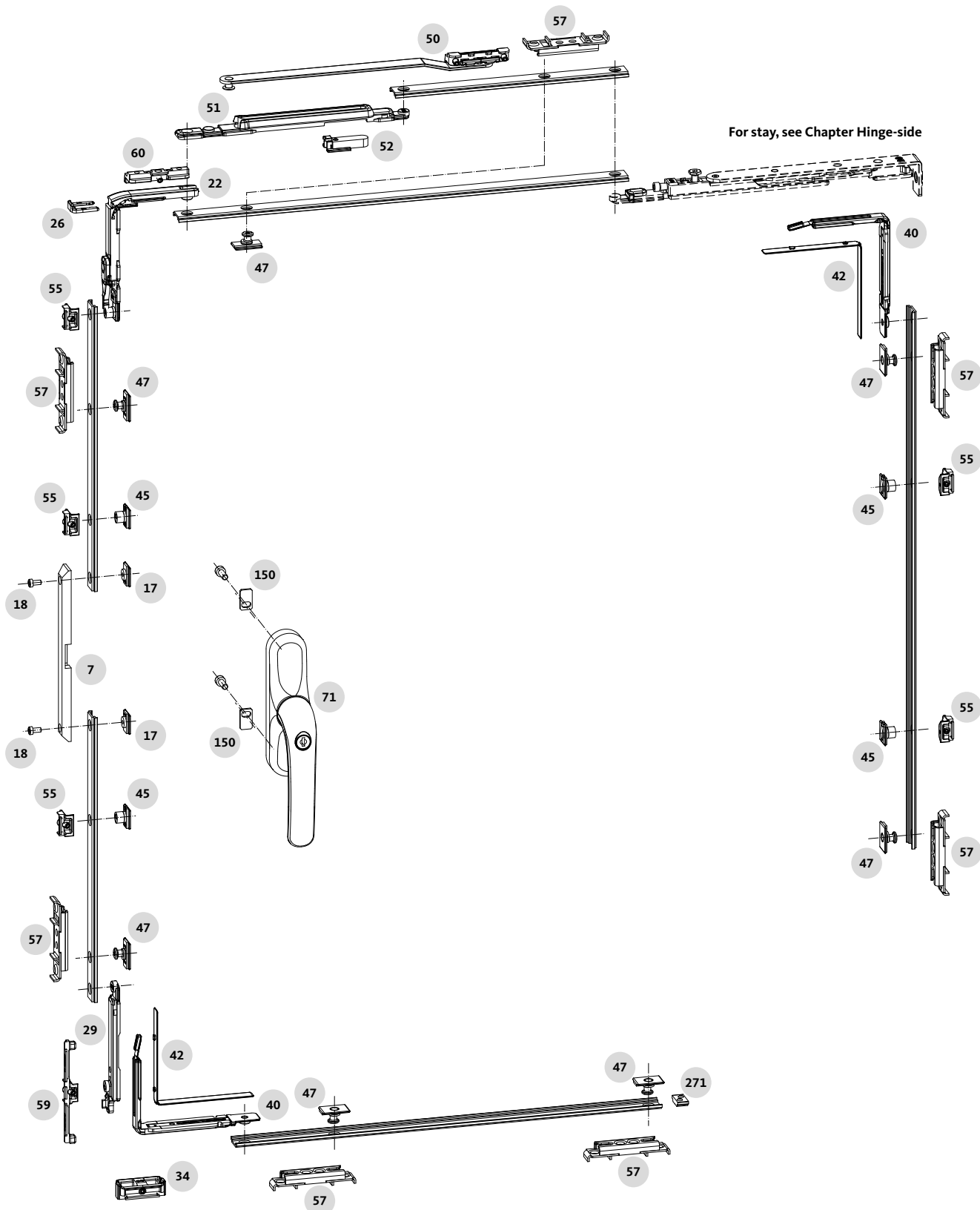
## Dummy mullion sash with central locking system with shoot-bolts in the double C groove (ST-DCN)



| Item               | Description   | Piece(s)                    | PU        | Qty. in K-set | Order number          |
|--------------------|---|-----------------------------|-----------|---------------|-----------------------|
|                    |   | SW2<br>200-1200             |           |               |                       |
|                    |   | SH<br>min.-2400             |           |               |                       |
|                    | <b>ST-DCN set of sliders</b>                        | <b>2</b>                    | <b>10</b> | <b>-</b>      | <b>K-15816-00-0-1</b> |
| 120                | Slider  | 2                           | -         | 1             | 9-41514-00-0-1        |
| 121                | Stop for slider                                     | 2                           | -         | 1             | 6-31726-00-0-1        |
| 123                | Connecting rod                                      | 2                           | -         | 1             | 9-41529-00-0-1        |
|                    | <b>TU-ON + ST-DCN connecting rod shoot-bolt set</b> | <b>2</b>                    | <b>10</b> | <b>-</b>      | <b>K-15817-00-0-1</b> |
| 128                | Connecting rod shoot-bolt                           | 2                           | -         | 1             | 6-31727-00-0-1        |
| 129                | CR shoot-bolt eccentric cap                         | 2                           | -         | 1             | 9-41515-00-0-1        |
| 140                | CR shoot-bolt striker                               | - 1.5 mm<br>gasket pressure | 100       | -             | G-19658-02-0-1        |
|                    |   |                             | 100       | -             | 6-30961-00-0-1        |
|                    |   |                             | 100       | -             | G-19658-03-0-1        |
| <b>Accessories</b> |   |                             |           |               |                       |
| 31                 | Run-up block, sash part                             | 1                           | 10        | -             | 9-40404-00-0-1        |
| 37                 | Run-up block, frame part                            | 1                           | 10        | -             | 6-30998-00-0-1        |

# RC2 Overviews of hardware sets

Tilt&Turn and Turn-Only window with geared turn handle



# RC2 Overviews of hardware sets

## Tilt&Turn and Turn-Only window with geared turn handle


**RC2**

| Item | Description | Piece(s)    |              |              |              |              |              |              |              |              | PU | Qty. in K-set | Order number |
|------|-------------|-------------|--------------|--------------|--------------|--------------|--------------|--------------|--------------|--------------|----|---------------|--------------|
|      |             | SW 530-1200 |              |              | SW 1201-1350 |              |              | SW 1351-1700 |              |              |    |               |              |
|      |             | SH 680-1200 | SH 1201-2200 | SH 2201-2800 | SH 860-1200  | SH 1201-2200 | SH 2201-2800 | SH 960-1200  | SH 1201-2200 | SH 2201-2800 |    |               |              |

|    |  |   |   |   |   |   |   |   |   |   |    |   |                       |
|----|--|---|---|---|---|---|---|---|---|---|----|---|-----------------------|
|    | <b>RC2/RC3 handle connector set</b>          | 1 | 1 | 1 | 1 | 1 | 1 | 1 | 1 | 1 | 10 | - | <b>K-19820-00-0-1</b> |
| 7  | Connector RC2/RC3 for divided connecting rod | 1 | 1 | 1 | 1 | 1 | 1 | 1 | 1 | 1 | -  | 1 | 9-48470-00-0-D        |
| 17 | Counter plate                                | 2 | 2 | 2 | 2 | 2 | 2 | 2 | 2 | 2 | -  | 2 | 9-50034-00-0-8        |
| 18 | Cylinder head screw M4x8                     | 2 | 2 | 2 | 2 | 2 | 2 | 2 | 2 | 2 | -  | 2 | 9-13713-08-R-8        |

|    |  |   |   |   |   |   |   |   |   |   |    |   |                       |
|----|--|---|---|---|---|---|---|---|---|---|----|---|-----------------------|
|    | <b>T&amp;T set, central locking system</b> | 1 | 1 | 1 | 1 | 1 | 1 | 1 | 1 | 1 | 10 | - | <b>K-19054-00-0-1</b> |
| -  | Handle connector-pin                       | - | - | - | - | - | - | - | - | - | -  | 1 | 6-37090-00-0-1        |
| 22 | Corner-drive with M.D.                     | 1 | 1 | 1 | 1 | 1 | 1 | 1 | 1 | 1 | -  | 1 | 6-37120-00-0-1        |
| 26 | Clamping bracket                           | 1 | 1 | 1 | 1 | 1 | 1 | 1 | 1 | 1 | -  | 1 | 9-48157-00-0-1        |
| 29 | T&T tilter                                 | 1 | 1 | 1 | 1 | 1 | 1 | 1 | 1 | 1 | -  | 1 | 6-37258-00-0-1        |
| -  | Run-up block, sash part                    | - | - | - | - | - | - | - | - | - | -  | 1 | 9-40404-00-0-1        |
| 34 | T&T fanlight hinge                         | 1 | 1 | 1 | 1 | 1 | 1 | 1 | 1 | 1 | -  | 1 | 6-37441-00-0-1        |

|    |                               |   |   |   |   |   |   |   |   |   |     |   |                |
|----|-------------------------------|---|---|---|---|---|---|---|---|---|-----|---|----------------|
| 40 | Corner-drive C-L              | 2 | 2 | 2 | 2 | 2 | 2 | 2 | 2 | 2 | 50  | - | 6-37266-00-0-1 |
| 42 | Packer for corner-drive C-L * | 2 | 2 | 2 | 2 | 2 | 2 | 2 | 2 | 2 | 100 | - | 9-48466-00-0-1 |
| 45 | Locking cam                   | - | 2 | 4 | - | 2 | 4 | - | 2 | 4 | 100 | - | 6-37111-00-0-8 |
| 47 | Mushroom cam RC2              | 7 | 7 | 7 | 7 | 7 | 7 | 7 | 7 | 7 | 100 | - | 6-37114-00-0-8 |

|    |                                |                     |   |   |   |   |   |   |   |   |    |   |                       |                |
|----|--------------------------------|---------------------|---|---|---|---|---|---|---|---|----|---|-----------------------|----------------|
|    | <b>Set of additional stays</b> | -                   | - | - | - | - | - | 1 | 1 | 1 | 10 | - | <b>K-19013-00-0-1</b> |                |
| 50 | Stay-arm, additional stay      | -                   | - | - | - | - | - | 1 | 1 | 1 | -  | 1 | 6-37840-00-0-1        |                |
| 51 | Stay-guide, additional stay    | -                   | - | - | - | - | - | 1 | 1 | 1 | -  | 1 | 6-37841-00-0-1        |                |
| 52 | Opening restrictor             | with hinge-side 710 | - | - | - | - | - | - | 1 | 1 | 1  | - | 1                     | 6-38803-00-0-1 |

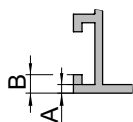
|    |  |                        |   |   |   |   |   |   |   |   |   |     |   |                |
|----|--|------------------------|---|---|---|---|---|---|---|---|---|-----|---|----------------|
| 55 | Striker  | for A=2.0              | 1 | 3 | 5 | 1 | 3 | 5 | 1 | 3 | 5 | 100 | - | 6-37261-01-0-1 |
|    |  | for A=1.5              |   |   |   |   |   |   |   |   |   | 100 | - | 6-37261-02-0-1 |
| 57 | Sec striker                                      | for frame groove 10/14 | 7 | 7 | 7 | 7 | 7 | 7 | 7 | 7 | 7 | 100 | - | 6-37254-10-0-8 |
|    |  | for frame groove 14/18 |   |   |   |   |   |   |   |   |   | 100 | - | 6-37254-14-0-8 |
|    |  | for B=4.0              |   |   |   |   |   |   |   |   |   | 100 | - | 6-37254-15-0-8 |
|    |  | for B=3.5              |   |   |   |   |   |   |   |   |   | 100 | - | 6-39907-01-0-1 |
| 59 | T&T striker                                      | for A=2.0              | 1 | 1 | 1 | 1 | 1 | 1 | 1 | 1 | 1 | 100 | - | 6-39907-02-0-1 |
|    |  | for A=1.5              |   |   |   |   |   |   |   |   |   | 100 | - | 6-38807-00-0-1 |
| 60 | Sec clearance packer / TU-ON window run-up block |                        | 1 | 1 | 1 | 1 | 1 | 1 | 1 | 1 | 1 | 100 | - | 6-38807-00-0-1 |

|    |  |   |   |   |   |   |   |   |   |   |    |   |                       |
|----|--|---|---|---|---|---|---|---|---|---|----|---|-----------------------|
| 71 | <b>ADAGIO geared turn handle, lockable RC2/RC3</b> | 1 | 1 | 1 | 1 | 1 | 1 | 1 | 1 | 1 | 10 | - | <b>K-19821-00-0-1</b> |
|----|--|---|---|---|---|---|---|---|---|---|----|---|-----------------------|

**Accessories**

|     |  |                       |   |   |   |   |   |   |   |   |     |    |                |                |
|-----|--|-----------------------|---|---|---|---|---|---|---|---|-----|----|----------------|----------------|
| 150 | Packer plate for geared turn handle ** | 2                     | 2 | 2 | 2 | 2 | 2 | 2 | 2 | 2 | 100 | -  | 9-50091-00-0-8 |                |
| 271 | Stopper                                | for Turn-Only windows | 1 | 1 | 1 | 1 | 1 | 1 | 1 | 1 | 1   | 10 | -              | 6-39548-00-0-0 |

\* Only with deep groove 13.6-15 mm wide and 5.5-7 mm deep. | \*\* For reinforcement of the sash overlap. Recommended for larger, heavier sashes.

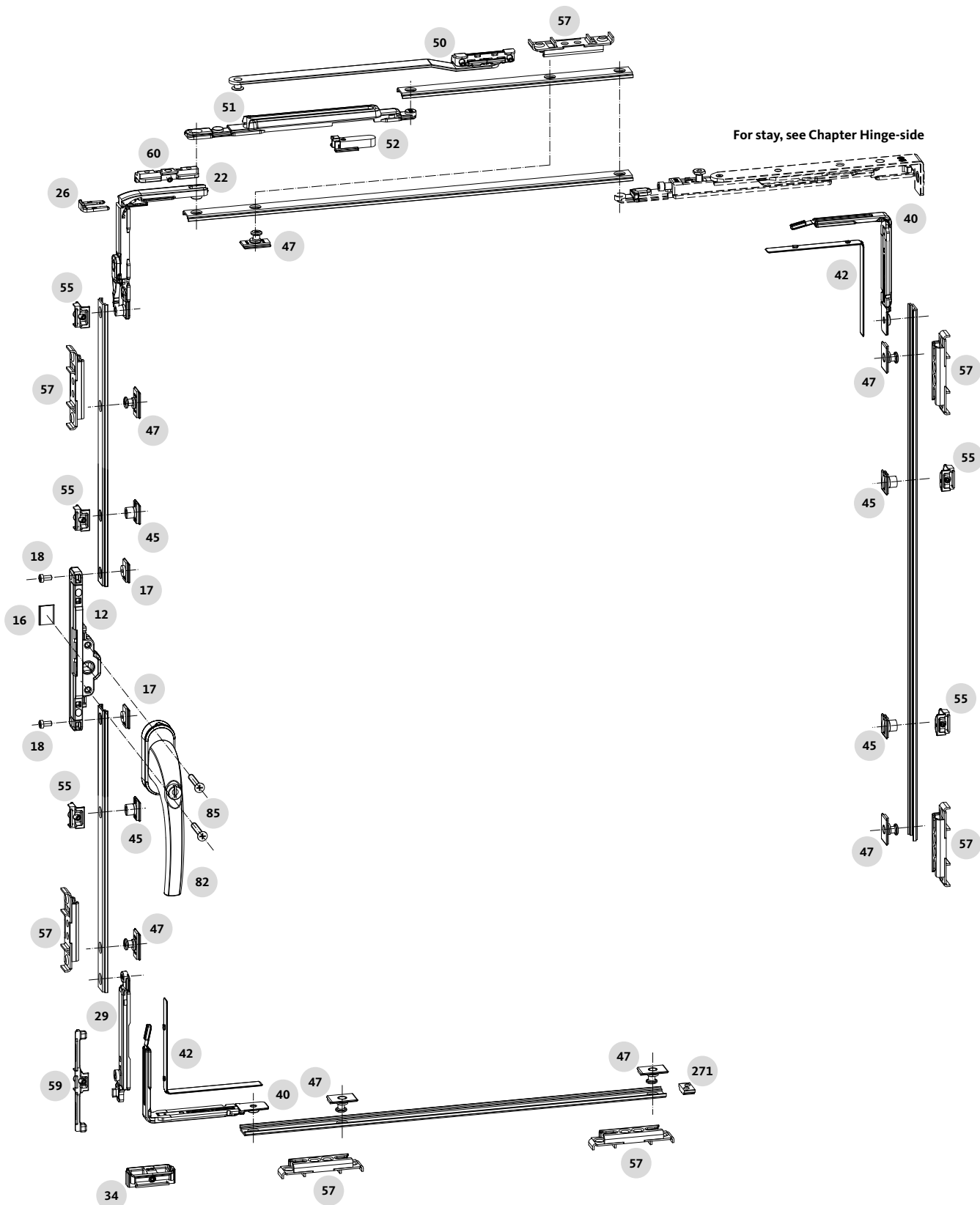


# RC2 Overviews of hardware sets

Tilt&Turn and Turn-Only window with insertable gear



RC2





# RC2 Overviews of hardware sets

## Tilt&Turn and Turn-Only window with insertable gear


**RC2**

| Item | Description | Piece(s)    |              |              |              |              |              |              |              |              | PU | Qty. in K-set | Order number |
|------|-------------|-------------|--------------|--------------|--------------|--------------|--------------|--------------|--------------|--------------|----|---------------|--------------|
|      |             | SW 530-1200 |              |              | SW 1201-1350 |              |              | SW 1351-1700 |              |              |    |               |              |
|      |             | SH 680-1200 | SH 1201-2200 | SH 2201-2800 | SH 860-1200  | SH 1201-2200 | SH 2201-2800 | SH 960-1200  | SH 1201-2200 | SH 2201-2800 |    |               |              |

|    |   |          |          |          |          |          |          |          |          |          |           |   |                       |
|----|---|----------|----------|----------|----------|----------|----------|----------|----------|----------|-----------|---|-----------------------|
|    | <b>Insertable gear w/o M.D. RC2/RC3</b> | <b>1</b> | <b>1</b> | <b>1</b> | <b>1</b> | <b>1</b> | <b>1</b> | <b>1</b> | <b>1</b> | <b>1</b> | <b>10</b> | - | <b>K-19575-00-0-1</b> |
| 12 | Insertable gear RC w/o M.D.             | 1        | 1        | 1        | 1        | 1        | 1        | 1        | 1        | 1        | -         | 1 | 6-39385-12-0-1        |
| 16 | Anti-drill plate for insertable gear    | 1        | 1        | 1        | 1        | 1        | 1        | 1        | 1        | 1        | -         | 1 | 6-39081-01-0-0        |
| 17 | Counter plate                           | 2        | 2        | 2        | 2        | 2        | 2        | 2        | 2        | 2        | -         | 2 | 9-50034-00-0-8        |
| 18 | Cylinder head screw M4x8                | 2        | 2        | 2        | 2        | 2        | 2        | 2        | 2        | 2        | -         | 2 | 9-13713-08-R-8        |

|    |  |          |          |          |          |          |          |          |          |          |           |   |                       |
|----|--|----------|----------|----------|----------|----------|----------|----------|----------|----------|-----------|---|-----------------------|
|    | <b>T&amp;T set, central locking system</b> | <b>1</b> | <b>1</b> | <b>1</b> | <b>1</b> | <b>1</b> | <b>1</b> | <b>1</b> | <b>1</b> | <b>1</b> | <b>10</b> | - | <b>K-19054-00-0-1</b> |
| -  | Handle connector-pin                       | -        | -        | -        | -        | -        | -        | -        | -        | -        | -         | 1 | 6-37090-00-0-1        |
| 22 | Corner-drive with M.D.                     | 1        | 1        | 1        | 1        | 1        | 1        | 1        | 1        | 1        | -         | 1 | 6-37120-00-0-1        |
| 26 | Clamping bracket                           | 1        | 1        | 1        | 1        | 1        | 1        | 1        | 1        | 1        | -         | 1 | 9-48157-00-0-1        |
| 29 | T&T tilter                                 | 1        | 1        | 1        | 1        | 1        | 1        | 1        | 1        | 1        | -         | 1 | 6-37258-00-0-1        |
| -  | Run-up block, sash part                    | -        | -        | -        | -        | -        | -        | -        | -        | -        | -         | 1 | 9-40404-00-0-1        |
| 34 | T&T fanlight hinge                         | 1        | 1        | 1        | 1        | 1        | 1        | 1        | 1        | 1        | -         | 1 | 6-37441-00-0-1        |

|    |                               |   |   |   |   |   |   |   |   |   |     |   |                |
|----|-------------------------------|---|---|---|---|---|---|---|---|---|-----|---|----------------|
| 40 | Corner-drive C-L              | 2 | 2 | 2 | 2 | 2 | 2 | 2 | 2 | 2 | 50  | - | 6-37266-00-0-1 |
| 42 | Packer for corner-drive C-L * | 2 | 2 | 2 | 2 | 2 | 2 | 2 | 2 | 2 | 100 | - | 9-48466-00-0-1 |
| 45 | Locking cam                   | - | 2 | 4 | - | 2 | 4 | - | 2 | 4 | 100 | - | 6-37111-00-0-8 |
| 47 | Mushroom cam RC2              | 7 | 7 | 7 | 7 | 7 | 7 | 7 | 7 | 7 | 100 | - | 6-37114-00-0-8 |

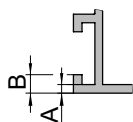
|    |                                |                     |   |   |   |   |   |          |          |          |           |   |                       |                |
|----|--------------------------------|---------------------|---|---|---|---|---|----------|----------|----------|-----------|---|-----------------------|----------------|
|    | <b>Set of additional stays</b> | -                   | - | - | - | - | - | <b>1</b> | <b>1</b> | <b>1</b> | <b>10</b> | - | <b>K-19013-00-0-1</b> |                |
| 50 | Stay-arm, additional stay      | -                   | - | - | - | - | - | 1        | 1        | 1        | -         | 1 | 6-37840-00-0-1        |                |
| 51 | Stay-guide, additional stay    | -                   | - | - | - | - | - | 1        | 1        | 1        | -         | 1 | 6-37841-00-0-1        |                |
| 52 | Opening restrictor             | with hinge-side 710 | - | - | - | - | - | -        | 1        | 1        | 1         | - | 1                     | 6-38803-00-0-1 |

|    |  |                        |   |   |   |   |   |   |   |   |   |     |     |                |                |
|----|--|------------------------|---|---|---|---|---|---|---|---|---|-----|-----|----------------|----------------|
| 55 | Striker  | for A=2.0              | 1 | 3 | 5 | 1 | 3 | 5 | 1 | 3 | 5 | 100 | -   | 6-37261-01-0-1 |                |
|    |  | for A=1.5              |   |   |   |   |   |   |   |   |   |     | 100 | -              | 6-37261-02-0-1 |
| 57 | Sec striker                                      | for frame groove 10/14 | 7 | 7 | 7 | 7 | 7 | 7 | 7 | 7 | 7 | 100 | -   | 6-37254-10-0-8 |                |
|    |  | for frame groove 14/18 |   |   |   |   |   |   |   |   |   |     | 100 | -              | 6-37254-14-0-8 |
|    |  | for B=4.0              |   |   |   |   |   |   |   |   |   |     | 100 | -              | 6-37254-15-0-8 |
|    |  | for B=3.5              |   |   |   |   |   |   |   |   |   |     | 100 | -              | 6-39907-01-0-1 |
| 59 | T&T striker                                      | for A=2.0              | 1 | 1 | 1 | 1 | 1 | 1 | 1 | 1 | 1 | 100 | -   | 6-39907-02-0-1 |                |
|    |  | for A=1.5              |   |   |   |   |   |   |   |   |   |     | 100 | -              | 6-38807-00-0-1 |
| 60 | Sec clearance packer / TU-ON window run-up block |                        | 1 | 1 | 1 | 1 | 1 | 1 | 1 | 1 | 1 | 100 | -   | 6-34397-29-0-1 |                |
| 82 | MODENA-F/Z turn handle, lockable 100 Nm          |                        | 1 | 1 | 1 | 1 | 1 | 1 | 1 | 1 | 1 | 10  | -   | 9-13255-30-0-1 |                |
| 85 | Countersunk screw M5x30                          |                        | 2 | 2 | 2 | 2 | 2 | 2 | 2 | 2 | 2 | 100 | -   |                |                |

**Accessories**

|     |         |                       |   |   |   |   |   |   |   |   |   |    |   |                |
|-----|---------|-----------------------|---|---|---|---|---|---|---|---|---|----|---|----------------|
| 271 | Stopper | for Turn-Only windows | 1 | 1 | 1 | 1 | 1 | 1 | 1 | 1 | 1 | 10 | - | 6-39548-00-0-0 |
|-----|---------|-----------------------|---|---|---|---|---|---|---|---|---|----|---|----------------|

\* Only with deep groove with groove width 13.6-15 mm and groove depth 5.5-7 mm.

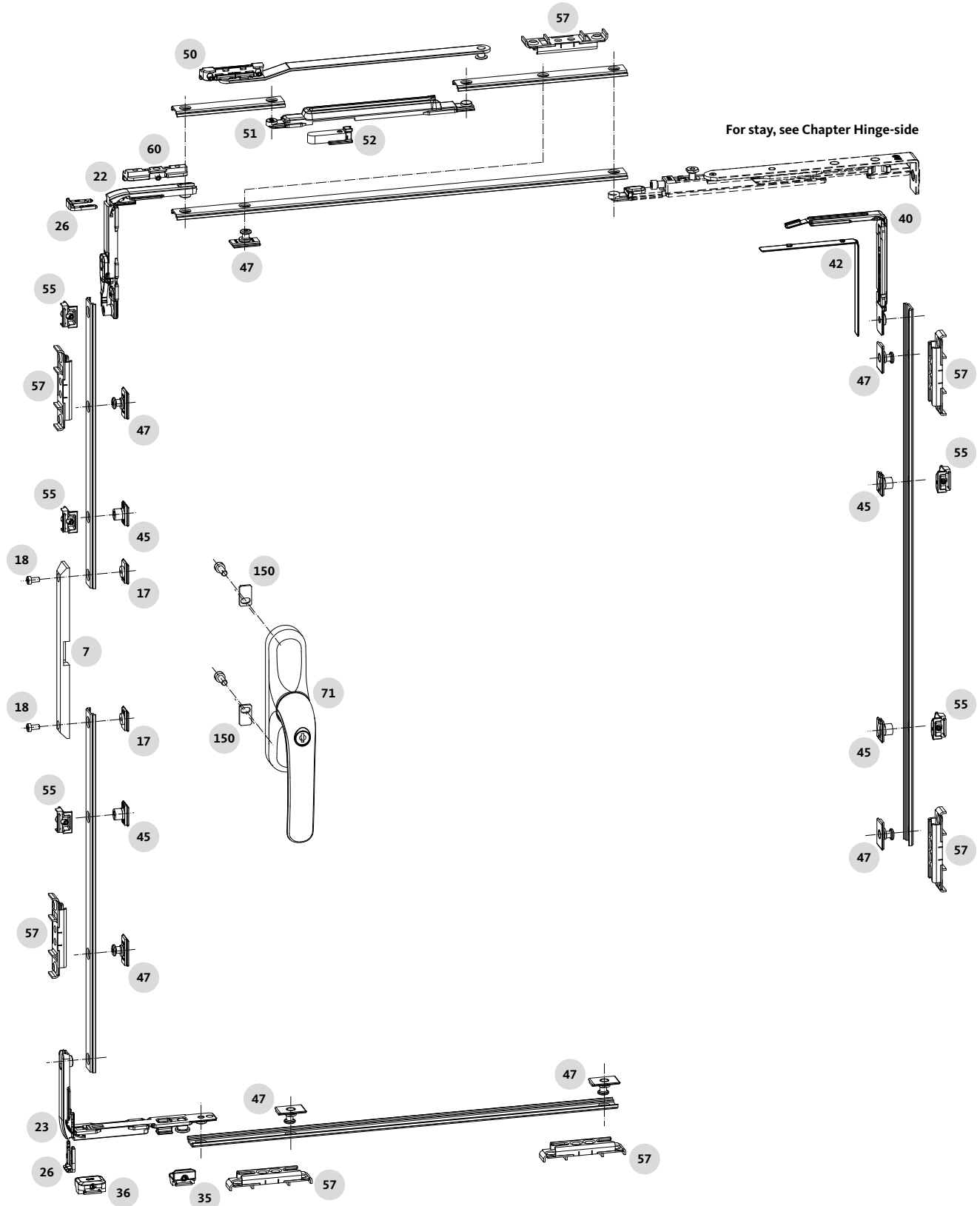


# RC2 Overviews of hardware sets

## Tilt-First window with geared turn handle



RC2



# RC2 Overviews of hardware sets

## Tilt-First window with geared turn handle


**RC2**

| Item | Description | Piece(s)    |              |              |              |              |              |              |              |              | PU | Qty. in K-set | Order number |
|------|-------------|-------------|--------------|--------------|--------------|--------------|--------------|--------------|--------------|--------------|----|---------------|--------------|
|      |             | SW 530-1200 |              |              | SW 1201-1350 |              |              | SW 1351-1700 |              |              |    |               |              |
|      |             | SH 680-1200 | SH 1201-2200 | SH 2201-2800 | SH 860-1200  | SH 1201-2200 | SH 2201-2800 | SH 960-1200  | SH 1201-2200 | SH 2201-2800 |    |               |              |

|    |  |          |          |          |          |          |          |          |          |          |           |   |                       |
|----|--|----------|----------|----------|----------|----------|----------|----------|----------|----------|-----------|---|-----------------------|
|    | <b>RC2/RC3 handle connector set</b>          | <b>1</b> | <b>1</b> | <b>1</b> | <b>1</b> | <b>1</b> | <b>1</b> | <b>1</b> | <b>1</b> | <b>1</b> | <b>10</b> | - | <b>K-19820-00-0-1</b> |
| 7  | Connector RC2/RC3 for divided connecting rod | 1        | 1        | 1        | 1        | 1        | 1        | 1        | 1        | 1        | -         | 1 | 9-48470-00-0-D        |
| 17 | Counter plate                                | 2        | 2        | 2        | 2        | 2        | 2        | 2        | 2        | 2        | -         | 2 | 9-50034-00-0-8        |
| 18 | Cylinder head screw M4x8                     | 2        | 2        | 2        | 2        | 2        | 2        | 2        | 2        | 2        | -         | 2 | 9-13713-08-R-8        |

|    |                                       |          |          |          |          |          |          |          |          |          |           |   |                       |
|----|---------------------------------------|----------|----------|----------|----------|----------|----------|----------|----------|----------|-----------|---|-----------------------|
|    | <b>TF set, central locking system</b> | <b>1</b> | <b>1</b> | <b>1</b> | <b>1</b> | <b>1</b> | <b>1</b> | <b>1</b> | <b>1</b> | <b>1</b> | <b>10</b> | - | <b>K-19084-00-0-1</b> |
| -  | Handle connector-pin                  | -        | -        | -        | -        | -        | -        | -        | -        | -        | -         | 1 | 6-37090-00-0-1        |
| 22 | Corner-drive with M.D.                | 1        | 1        | 1        | 1        | 1        | 1        | 1        | 1        | 1        | -         | 1 | 6-37120-00-0-1        |
| 23 | Tilt corner-drive TF                  | 1        | 1        | 1        | 1        | 1        | 1        | 1        | 1        | 1        | -         | 1 | 6-38687-00-0-1        |
| 26 | Clamping bracket                      | 2        | 2        | 2        | 2        | 2        | 2        | 2        | 2        | 2        | -         | 2 | 9-48157-00-0-1        |
| 35 | Tilt-First striker                    | 1        | 1        | 1        | 1        | 1        | 1        | 1        | 1        | 1        | -         | 1 | 6-38686-00-0-1        |
| 36 | Run-up block tilt corner-drive TF     | 1        | 1        | 1        | 1        | 1        | 1        | 1        | 1        | 1        | -         | 1 | 6-38696-00-0-1        |

|    |                               |   |   |   |   |   |   |   |   |   |     |   |                |
|----|-------------------------------|---|---|---|---|---|---|---|---|---|-----|---|----------------|
| 40 | Corner-drive C-L              | 1 | 1 | 1 | 1 | 1 | 1 | 1 | 1 | 1 | 50  | - | 6-37266-00-0-1 |
| 42 | Packer for corner-drive C-L * | 1 | 1 | 1 | 1 | 1 | 1 | 1 | 1 | 1 | 100 | - | 9-48466-00-0-1 |
| 45 | Locking cam                   | - | 2 | 4 | - | 2 | 4 | - | 2 | 4 | 100 | - | 6-37111-00-0-8 |
| 47 | Mushroom cam RC2              | 7 | 7 | 7 | 7 | 7 | 7 | 7 | 7 | 7 | 100 | - | 6-37114-00-0-8 |

|    |                                |                     |   |   |   |   |   |          |          |          |           |   |                       |
|----|--------------------------------|---------------------|---|---|---|---|---|----------|----------|----------|-----------|---|-----------------------|
|    | <b>Set of additional stays</b> | -                   | - | - | - | - | - | <b>1</b> | <b>1</b> | <b>1</b> | <b>10</b> | - | <b>K-19013-00-0-1</b> |
| 50 | Stay-arm, additional stay      | -                   | - | - | - | - | - | 1        | 1        | 1        | -         | 1 | 6-37840-00-0-1        |
| 51 | Stay-guide, additional stay    | -                   | - | - | - | - | - | 1        | 1        | 1        | -         | 1 | 6-37841-00-0-1        |
| 52 | Opening restrictor             | with hinge-side 710 | - | - | - | - | - | 1        | 1        | 1        | -         | 1 | 6-38803-00-0-1        |

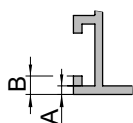
|    |  |                        |   |   |   |   |   |   |   |   |     |     |                |                |                |
|----|--|------------------------|---|---|---|---|---|---|---|---|-----|-----|----------------|----------------|----------------|
| 55 | Striker  | for A=2.0              | 1 | 3 | 5 | 1 | 3 | 5 | 1 | 3 | 5   | 100 | -              | 6-37261-01-0-1 |                |
|    |  | for A=1.5              |   |   |   |   |   |   |   |   |     |     | 100            | -              | 6-37261-02-0-1 |
| 57 | Sec striker                                      | for frame groove 10/14 | 7 | 7 | 7 | 7 | 7 | 7 | 7 | 7 | 7   | 100 | -              | 6-37254-10-0-8 |                |
|    |  | for frame groove 14/18 |   |   |   |   |   |   |   |   |     |     | 100            | -              | 6-37254-14-0-8 |
|    |  | for B=4.0<br>for B=3.5 |   |   |   |   |   |   |   |   |     |     | 100            | -              | 6-37254-15-0-8 |
| 60 | Sec clearance packer / TU-ON window run-up block | 1                      | 1 | 1 | 1 | 1 | 1 | 1 | 1 | 1 | 100 | -   | 6-38807-00-0-1 |                |                |

|    |  |          |          |          |          |          |          |          |          |          |           |   |                       |
|----|--|----------|----------|----------|----------|----------|----------|----------|----------|----------|-----------|---|-----------------------|
| 71 | <b>ADAGIO geared turn handle, lockable RC2/RC3</b> | <b>1</b> | <b>1</b> | <b>1</b> | <b>1</b> | <b>1</b> | <b>1</b> | <b>1</b> | <b>1</b> | <b>1</b> | <b>10</b> | - | <b>K-19821-00-0-1</b> |
|----|--|----------|----------|----------|----------|----------|----------|----------|----------|----------|-----------|---|-----------------------|

**Accessories**

|     |  |   |   |   |   |   |   |   |   |   |     |   |                |
|-----|--|---|---|---|---|---|---|---|---|---|-----|---|----------------|
| 150 | Packer plate for geared turn handle ** | 2 | 2 | 2 | 2 | 2 | 2 | 2 | 2 | 2 | 100 | - | 9-50091-00-0-8 |
|-----|--|---|---|---|---|---|---|---|---|---|-----|---|----------------|

\* Only with deep groove 13.6-15 mm wide and 5.5-7 mm deep. | \*\* For reinforcement of the sash overlap. Recommended for larger, heavier sashes.

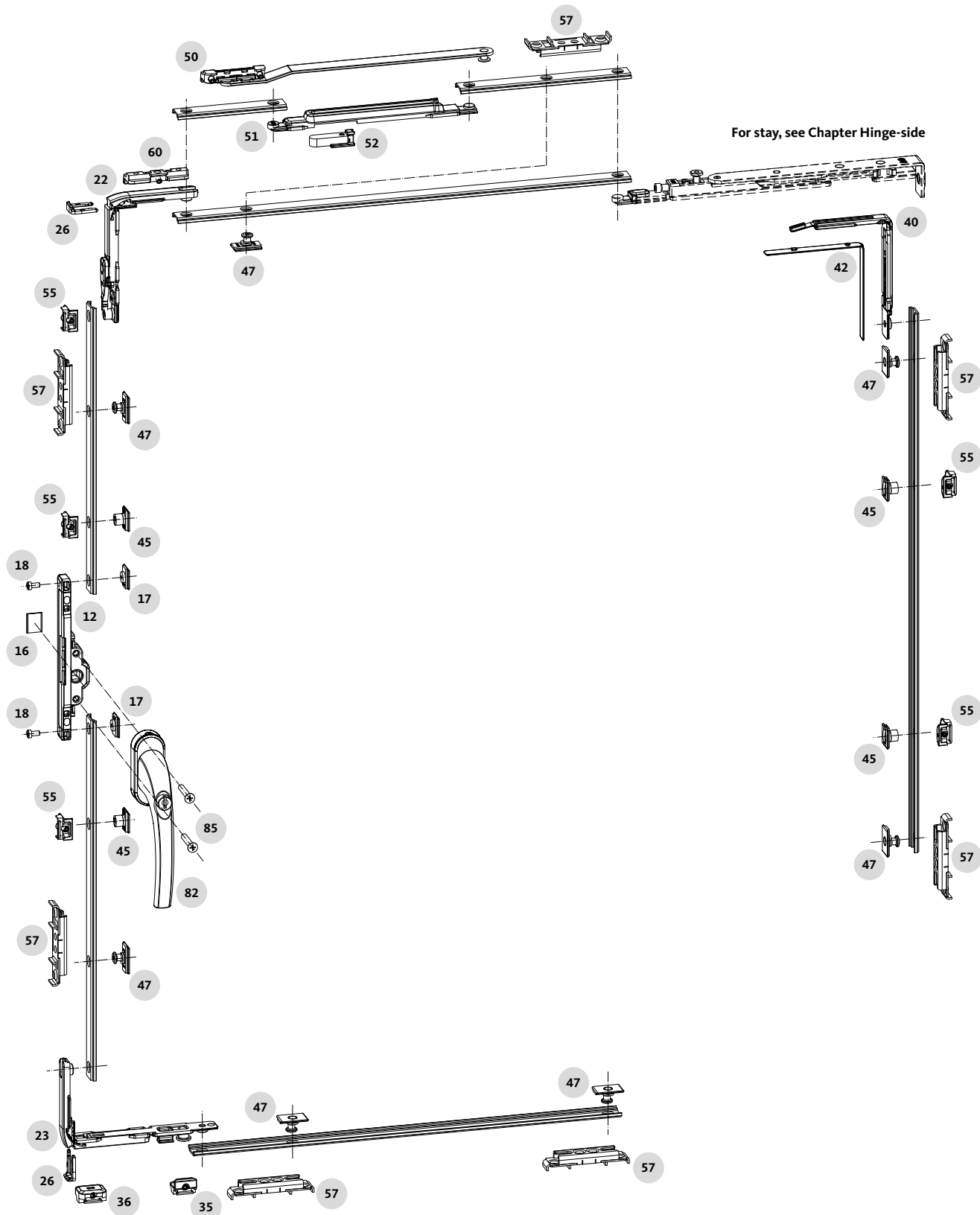


# RC2 Overviews of hardware sets

## Tilt-First window with insertable gear



RC2



# RC2 Overviews of hardware sets

## Tilt-First window with insertable gear


**RC2**

| Item | Description | Piece(s)    |              |              |              |              |              |              |              |              | PU | Qty. in K-set | Order number |
|------|-------------|-------------|--------------|--------------|--------------|--------------|--------------|--------------|--------------|--------------|----|---------------|--------------|
|      |             | SW 530-1200 |              |              | SW 1201-1350 |              |              | SW 1351-1700 |              |              |    |               |              |
|      |             | SH 680-1200 | SH 1201-2200 | SH 2201-2800 | SH 860-1200  | SH 1201-2200 | SH 2201-2800 | SH 960-1200  | SH 1201-2200 | SH 2201-2800 |    |               |              |

|    |   |          |          |          |          |          |          |          |          |          |           |   |                       |
|----|---|----------|----------|----------|----------|----------|----------|----------|----------|----------|-----------|---|-----------------------|
|    | <b>Insertable gear w/o M.D. RC2/RC3</b> | <b>1</b> | <b>1</b> | <b>1</b> | <b>1</b> | <b>1</b> | <b>1</b> | <b>1</b> | <b>1</b> | <b>1</b> | <b>10</b> | - | <b>K-19575-00-0-1</b> |
| 12 | Insertable gear RC w/o M.D.             | 1        | 1        | 1        | 1        | 1        | 1        | 1        | 1        | 1        | -         | 1 | 6-39385-12-0-1        |
| 16 | Anti-drill plate for insertable gear    | 1        | 1        | 1        | 1        | 1        | 1        | 1        | 1        | 1        | -         | 1 | 6-39081-01-0-0        |
| 17 | Counter plate                           | 2        | 2        | 2        | 2        | 2        | 2        | 2        | 2        | 2        | -         | 2 | 9-50034-00-0-8        |
| 18 | Cylinder head screw M4x8                | 2        | 2        | 2        | 2        | 2        | 2        | 2        | 2        | 2        | -         | 2 | 9-13713-08-R-8        |

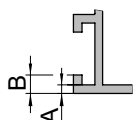
|    |                                       |          |          |          |          |          |          |          |          |          |           |   |                       |
|----|---------------------------------------|----------|----------|----------|----------|----------|----------|----------|----------|----------|-----------|---|-----------------------|
|    | <b>TF set, central locking system</b> | <b>1</b> | <b>1</b> | <b>1</b> | <b>1</b> | <b>1</b> | <b>1</b> | <b>1</b> | <b>1</b> | <b>1</b> | <b>10</b> | - | <b>K-19084-00-0-1</b> |
| -  | Handle connector-pin                  | -        | -        | -        | -        | -        | -        | -        | -        | -        | -         | 1 | 6-37090-00-0-1        |
| 22 | Corner-drive with M.D.                | 1        | 1        | 1        | 1        | 1        | 1        | 1        | 1        | 1        | -         | 1 | 6-37120-00-0-1        |
| 23 | Tilt corner-drive TF                  | 1        | 1        | 1        | 1        | 1        | 1        | 1        | 1        | 1        | -         | 1 | 6-38687-00-0-1        |
| 26 | Clamping bracket                      | 2        | 2        | 2        | 2        | 2        | 2        | 2        | 2        | 2        | -         | 2 | 9-48157-00-0-1        |
| 35 | Tilt-First striker                    | 1        | 1        | 1        | 1        | 1        | 1        | 1        | 1        | 1        | -         | 1 | 6-38686-00-0-1        |
| 36 | Run-up block tilt corner-drive TF     | 1        | 1        | 1        | 1        | 1        | 1        | 1        | 1        | 1        | -         | 1 | 6-38696-00-0-1        |

|    |                               |   |   |   |   |   |   |   |   |   |     |   |                |
|----|-------------------------------|---|---|---|---|---|---|---|---|---|-----|---|----------------|
| 40 | Corner-drive C-L              | 1 | 1 | 1 | 1 | 1 | 1 | 1 | 1 | 1 | 50  | - | 6-37266-00-0-1 |
| 42 | Packer for corner-drive C-L * | 1 | 1 | 1 | 1 | 1 | 1 | 1 | 1 | 1 | 100 | - | 9-48466-00-0-1 |
| 45 | Locking cam                   | - | 2 | 4 | - | 2 | 4 | - | 2 | 4 | 100 | - | 6-37111-00-0-8 |
| 47 | Mushroom cam RC2              | 7 | 7 | 7 | 7 | 7 | 7 | 7 | 7 | 7 | 100 | - | 6-37114-00-0-8 |

|    |  |   |   |   |   |   |   |          |          |          |           |   |                       |
|----|--|---|---|---|---|---|---|----------|----------|----------|-----------|---|-----------------------|
|    | <b>Set of additional stays</b>         | - | - | - | - | - | - | <b>1</b> | <b>1</b> | <b>1</b> | <b>10</b> | - | <b>K-19013-00-0-1</b> |
| 50 | Stay-arm, additional stay              | - | - | - | - | - | - | 1        | 1        | 1        | -         | 1 | 6-37840-00-0-1        |
| 51 | Stay-guide, additional stay            | - | - | - | - | - | - | 1        | 1        | 1        | -         | 1 | 6-37841-00-0-1        |
| 52 | Opening restrictor with hinge-side 710 | - | - | - | - | - | - | 1        | 1        | 1        | -         | 1 | 6-38803-00-0-1        |

|    |  |                        |   |   |   |   |   |   |   |   |     |     |                |                |
|----|--|------------------------|---|---|---|---|---|---|---|---|-----|-----|----------------|----------------|
| 55 | Striker  | for A=2.0              | 1 | 3 | 5 | 1 | 3 | 5 | 1 | 3 | 5   | 100 | -              | 6-37261-01-0-1 |
|    |  | for A=1.5              |   |   |   |   |   |   |   |   |     | 100 | -              | 6-37261-02-0-1 |
| 57 | Sec striker                                      | for frame groove 10/14 | 7 | 7 | 7 | 7 | 7 | 7 | 7 | 7 | 7   | 100 | -              | 6-37254-10-0-8 |
|    |  | for frame groove 14/18 |   |   |   |   |   |   |   |   |     | 100 | -              | 6-37254-14-0-8 |
|    |  | for B=4.0              |   |   |   |   |   |   |   |   |     | 100 | -              | 6-37254-15-0-8 |
|    |  | for B=3.5              |   |   |   |   |   |   |   |   |     | 100 | -              | 6-37254-15-0-8 |
| 60 | Sec clearance packer / TU-ON window run-up block | 1                      | 1 | 1 | 1 | 1 | 1 | 1 | 1 | 1 | 100 | -   | 6-38807-00-0-1 |                |
| 82 | MODENA-F/Z turn handle, lockable 100 Nm          | 1                      | 1 | 1 | 1 | 1 | 1 | 1 | 1 | 1 | 10  | -   | 6-34397-29-0-1 |                |
| 85 | Countersunk screw M5x30                          | 2                      | 2 | 2 | 2 | 2 | 2 | 2 | 2 | 2 | 100 | -   | 9-13255-30-0-1 |                |

\* Only with deep groove with groove width 13.6-15 mm and groove depth 5.5-7 mm.

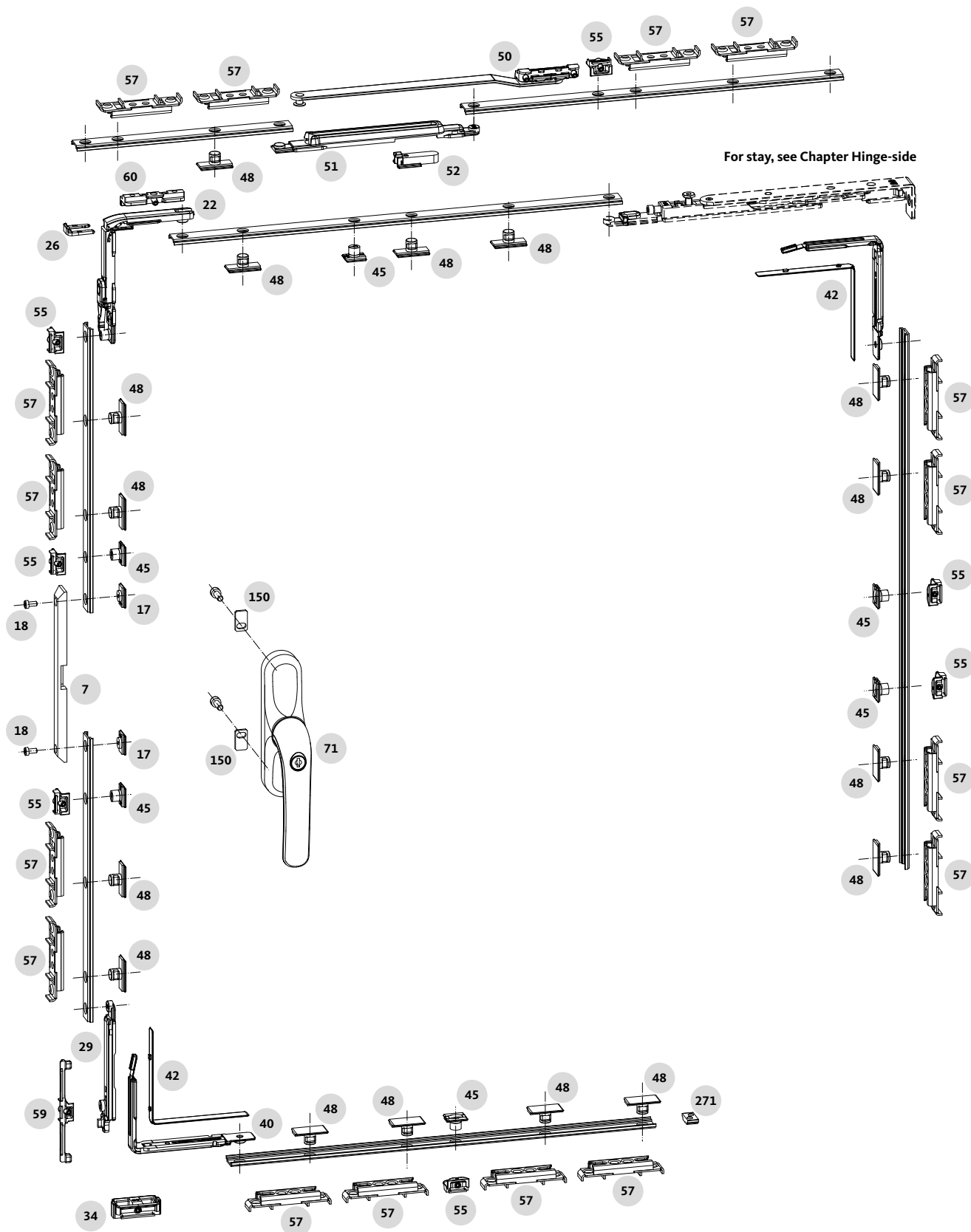


# RC3 Overviews of hardware sets

Tilt&Turn and Turn-Only window with geared turn handle – SW 710–1350 mm



RC3



# RC3 Overviews of hardware sets

## Tilt&Turn and Turn-Only window with geared turn handle – SW 710–1350 mm


**RC3**

Continued on next page

| Item | Description | Piece(s)    |              |              |              |              |              |              |              |              | PU | Qty. in K-set | Order number |
|------|-------------|-------------|--------------|--------------|--------------|--------------|--------------|--------------|--------------|--------------|----|---------------|--------------|
|      |             | SW 710–1050 |              |              | SW 1051–1200 |              |              | SW 1201–1350 |              |              |    |               |              |
|      |             | SH 855–1200 | SH 1201–2200 | SH 2201–2800 | SH 855–1200  | SH 1201–2200 | SH 2201–2800 | SH 860–1200  | SH 1201–2200 | SH 2201–2800 |    |               |              |

|    |  |   |   |   |   |   |   |   |   |   |    |   |                       |
|----|--|---|---|---|---|---|---|---|---|---|----|---|-----------------------|
|    | <b>RC2/RC3 handle connector set</b>          | 1 | 1 | 1 | 1 | 1 | 1 | 1 | 1 | 1 | 10 | – | <b>K-19820-00-0-1</b> |
| 7  | Connector RC2/RC3 for divided connecting rod | 1 | 1 | 1 | 1 | 1 | 1 | 1 | 1 | 1 | –  | 1 | 9-48470-00-0-D        |
| 17 | Counter plate                                | 2 | 2 | 2 | 2 | 2 | 2 | 2 | 2 | 2 | –  | 2 | 9-50034-00-0-8        |
| 18 | Cylinder head screw M4x8                     | 2 | 2 | 2 | 2 | 2 | 2 | 2 | 2 | 2 | –  | 2 | 9-13713-08-R-8        |

|    |  |   |   |   |   |   |   |   |   |   |    |   |                       |
|----|--|---|---|---|---|---|---|---|---|---|----|---|-----------------------|
|    | <b>T&amp;T set, central locking system</b> | 1 | 1 | 1 | 1 | 1 | 1 | 1 | 1 | 1 | 10 | – | <b>K-19054-00-0-1</b> |
| –  | Handle connector-pin                       | – | – | – | – | – | – | – | – | – | –  | 1 | 6-37090-00-0-1        |
| 22 | Corner-drive with M.D.                     | 1 | 1 | 1 | 1 | 1 | 1 | 1 | 1 | 1 | –  | 1 | 6-37120-00-0-1        |
| 26 | Clamping bracket                           | 1 | 1 | 1 | 1 | 1 | 1 | 1 | 1 | 1 | –  | 1 | 9-48157-00-0-1        |
| 29 | T&T tilter                                 | 1 | 1 | 1 | 1 | 1 | 1 | 1 | 1 | 1 | –  | 1 | 6-37258-00-0-1        |
| –  | Run-up block, sash part                    | – | – | – | – | – | – | – | – | – | –  | 1 | 9-40404-00-0-1        |
| 34 | T&T fanlight hinge                         | 1 | 1 | 1 | 1 | 1 | 1 | 1 | 1 | 1 | –  | 1 | 6-37441-00-0-1        |

|    |                               |    |    |    |    |    |    |    |    |    |     |   |                |
|----|-------------------------------|----|----|----|----|----|----|----|----|----|-----|---|----------------|
| 40 | Corner-drive C-L              | 2  | 2  | 2  | 2  | 2  | 2  | 2  | 2  | 2  | 50  | – | 6-37266-00-0-1 |
| 42 | Packer for corner-drive C-L * | 2  | 2  | 2  | 2  | 2  | 2  | 2  | 2  | 2  | 100 | – | 9-48466-00-0-1 |
| 45 | Locking cam                   | –  | 2  | 4  | –  | 2  | 4  | 2  | 4  | 6  | 100 | – | 6-37111-00-0-8 |
| 48 | Mushroom cam RC3              | 12 | 12 | 12 | 14 | 14 | 14 | 15 | 15 | 15 | 100 | – | 9-48458-00-0-8 |

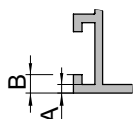
|    |  |                        |    |    |    |    |    |    |    |    |    |     |   |                |
|----|--|------------------------|----|----|----|----|----|----|----|----|----|-----|---|----------------|
| 55 | Striker  | for A=2.0              | 1  | 3  | 5  | 1  | 3  | 5  | 3  | 5  | 7  | 100 | – | 6-37261-01-0-1 |
|    |  | for A=1.5              |    |    |    |    |    |    |    |    |    | 100 | – | 6-37261-02-0-1 |
| 57 | Sec striker                                      | for frame groove 10/14 | 12 | 12 | 12 | 14 | 14 | 14 | 15 | 15 | 15 | 100 | – | 6-37254-10-0-8 |
|    |  | for frame groove 14/18 |    |    |    |    |    |    |    |    |    | 100 | – | 6-37254-14-0-8 |
|    |  | for B=4.0              |    |    |    |    |    |    |    |    |    | 100 | – | 6-37254-15-0-8 |
|    |  | for B=3.5              |    |    |    |    |    |    |    |    |    | 100 | – | 6-37254-15-0-8 |
| 59 | T&T striker                                      | for A=2.0              | 1  | 1  | 1  | 1  | 1  | 1  | 1  | 1  | 1  | 100 | – | 6-39907-01-0-1 |
|    |  | for A=1.5              |    |    |    |    |    |    |    |    |    | 100 | – | 6-39907-02-0-1 |
| 60 | Sec clearance packer / TU-ON window run-up block | 1                      | 1  | 1  | 1  | 1  | 1  | 1  | 1  | 1  | 1  | 100 | – | 6-38807-00-0-1 |

|    |  |   |   |   |   |   |   |   |   |   |   |    |   |                       |
|----|--|---|---|---|---|---|---|---|---|---|---|----|---|-----------------------|
| 71 | <b>ADAGIO geared turn handle, lockable RC2/RC3</b> | 1 | 1 | 1 | 1 | 1 | 1 | 1 | 1 | 1 | 1 | 10 | – | <b>K-19821-00-0-1</b> |
|----|--|---|---|---|---|---|---|---|---|---|---|----|---|-----------------------|

**Accessories**

|     |  |   |   |   |   |   |   |   |   |   |   |     |   |                |
|-----|--|---|---|---|---|---|---|---|---|---|---|-----|---|----------------|
| 150 | Packer plate for geared turn handle ** | 2 | 2 | 2 | 2 | 2 | 2 | 2 | 2 | 2 | 2 | 100 | – | 9-50091-00-0-8 |
| 271 | Stopper for Turn-Only windows          | 1 | 1 | 1 | 1 | 1 | 1 | 1 | 1 | 1 | 1 | 10  | – | 6-39548-00-0-0 |

\* Only with deep groove 13.6–15 mm wide and 5.5–7 mm deep. | \*\* For reinforcement of the sash overlap. Recommended for larger, heavier sashes.







# RC3 Overviews of hardware sets

## Tilt&Turn and Turn-Only window with geared turn handle – SW 1351–1700 mm



Continued

**RC3**

| Item | Description | Piece(s)     |              |              |              |              |              | PU | Qty. in K-set | Order number |
|------|-------------|--------------|--------------|--------------|--------------|--------------|--------------|----|---------------|--------------|
|      |             | SW 1351–1450 |              |              | SW 1451–1700 |              |              |    |               |              |
|      |             | SH 960–1200  | SH 1201–2200 | SH 2201–2800 | SH 1040–1200 | SH 1201–2200 | SH 2201–2800 |    |               |              |

| <b>RC2/RC3 handle connector set</b> |  | 1 | 1 | 1 | 1 | 1 | 1 | 10 | – | <b>K-19820-00-0-1</b> |
|-------------------------------------|--|---|---|---|---|---|---|----|---|-----------------------|
| 7                                   | Connector RC2/RC3 for divided connecting rod | 1 | 1 | 1 | 1 | 1 | 1 | –  | 1 | 9-48470-00-0-D        |
| 17                                  | Counter plate                                | 2 | 2 | 2 | 2 | 2 | 2 | –  | 2 | 9-50034-00-0-8        |
| 18                                  | Cylinder head screw M4x8                     | 2 | 2 | 2 | 2 | 2 | 2 | –  | 2 | 9-13713-08-R-8        |

| <b>T&amp;T set, central locking system</b> |                         | 1 | 1 | 1 | 1 | 1 | 1 | 10 | – | <b>K-19054-00-0-1</b> |
|--|-------------------------|---|---|---|---|---|---|----|---|-----------------------|
| –  | Handle connector-pin    | – | – | – | – | – | – | –  | 1 | 6-37090-00-0-1        |
| 22   | Corner-drive with M.D.  | 1 | 1 | 1 | 1 | 1 | 1 | –  | 1 | 6-37120-00-0-1        |
| 26   | Clamping bracket        | 1 | 1 | 1 | 1 | 1 | 1 | –  | 1 | 9-48157-00-0-1        |
| 29   | T&T tilter              | 1 | 1 | 1 | 1 | 1 | 1 | –  | 1 | 6-37258-00-0-1        |
| –  | Run-up block, sash part | – | – | – | – | – | – | –  | 1 | 9-40404-00-0-1        |
| 34   | T&T fanlight hinge      | 1 | 1 | 1 | 1 | 1 | 1 | –  | 1 | 6-37441-00-0-1        |

|    |                               |    |    |    |    |    |    |     |   |                |
|----|-------------------------------|----|----|----|----|----|----|-----|---|----------------|
| 40 | Corner-drive C-L              | 2  | 2  | 2  | 2  | 2  | 2  | 50  | – | 6-37266-00-0-1 |
| 42 | Packer for corner-drive C-L * | 2  | 2  | 2  | 2  | 2  | 2  | 100 | – | 9-48466-00-0-1 |
| 45 | Locking cam                   | 2  | 4  | 6  | 2  | 4  | 6  | 100 | – | 6-37111-00-0-8 |
| 48 | Mushroom cam RC3              | 15 | 15 | 15 | 16 | 16 | 16 | 100 | – | 9-48458-00-0-8 |

| <b>Set of additional stays</b> |                             | 1                   | 1 | 1 | 1 | 1 | 1 | 10 | – | <b>K-19013-00-0-1</b> |   |   |                |
|--------------------------------|-----------------------------|---------------------|---|---|---|---|---|----|---|-----------------------|---|---|----------------|
| 50                             | Stay-arm, additional stay   | 1                   | 1 | 1 | 1 | 1 | 1 | –  | 1 | 6-37840-00-0-1        |   |   |                |
| 51                             | Stay-guide, additional stay | 1                   | 1 | 1 | 1 | 1 | 1 | –  | 1 | 6-37841-00-0-1        |   |   |                |
| 52                             | Opening restrictor          | with hinge-side 710 |   |   |   | 1 | 1 | 1  | 1 | 1                     | – | 1 | 6-38803-00-0-1 |

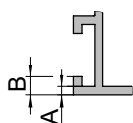
|    |  |                        |   |    |    |    |    |    |           |     |                |                |
|----|--|------------------------|---|----|----|----|----|----|-----------|-----|----------------|----------------|
| 55 | Striker  | for A=2.0              | 3 | 5  | 7  | 3  | 5  | 7  | 100       | –   | 6-37261-01-0-1 |                |
|    |  | for A=1.5              |   |    |    |    |    |    | 100       | –   | 6-37261-02-0-1 |                |
| 57 | Sec striker                                      | for frame groove 10/14 |   | 15 | 15 | 15 | 16 | 16 | 100       | –   | 6-37254-10-0-8 |                |
|    |  | for frame groove 14/18 |   |    |    |    |    |    | for B=4.0 | 100 | –              | 6-37254-14-0-8 |
|    |  |                        |   |    |    |    |    |    | for B=3.5 | 100 | –              | 6-37254-15-0-8 |
|    |  |                        |   |    |    |    |    |    | for A=2.0 | 100 | –              | 6-39907-01-0-1 |
| 59 | T&T striker                                      |                        |   | 1  | 1  | 1  | 1  | 1  | 100       | –   | 6-39907-02-0-1 |                |
|    |  |                        |   |    |    |    |    |    | for A=1.5 | 100 | –              | 6-39907-02-0-1 |
| 60 | Sec clearance packer / TU-ON window run-up block | 1                      | 1 | 1  | 1  | 1  | 1  | 1  | 100       | –   | 6-38807-00-0-1 |                |

|           |  |          |          |          |          |          |          |           |          |                       |
|-----------|--|----------|----------|----------|----------|----------|----------|-----------|----------|-----------------------|
| <b>71</b> | <b>ADAGIO geared turn handle, lockable RC2/RC3</b> | <b>1</b> | <b>1</b> | <b>1</b> | <b>1</b> | <b>1</b> | <b>1</b> | <b>10</b> | <b>–</b> | <b>K-19821-00-0-1</b> |
|-----------|--|----------|----------|----------|----------|----------|----------|-----------|----------|-----------------------|

### Accessories

|     |  |                       |   |   |   |   |   |   |     |    |                |                |
|-----|--|-----------------------|---|---|---|---|---|---|-----|----|----------------|----------------|
| 150 | Packer plate for geared turn handle ** | 2                     | 2 | 2 | 2 | 2 | 2 | 2 | 100 | –  | 9-50091-00-0-8 |                |
| 271 | Stopper                                | for Turn-Only windows |   |   |   | 1 | 1 | 1 | 1   | 10 | –              | 6-39548-00-0-0 |

\* Only with deep groove 13.6–15 mm wide and 5.5–7 mm deep. | \*\* For reinforcement of the sash overlap. Recommended for larger, heavier sashes.

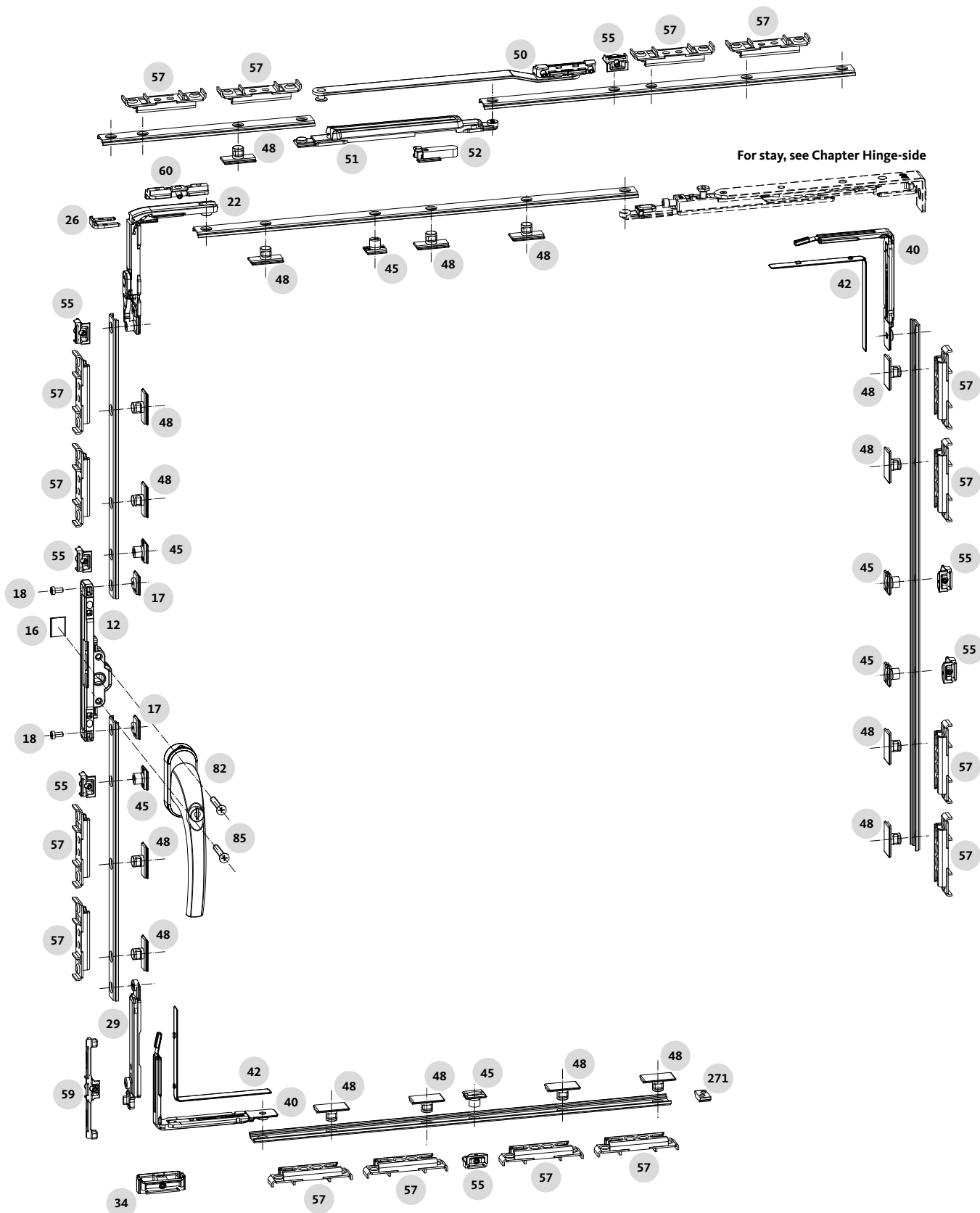


# RC3 Overviews of hardware sets

Tilt&Turn window with insertable gear – SW 710–1350 mm



RC3



# RC3 Overviews of hardware sets

## Tilt&Turn window with insertable gear – SW 710–1350 mm


**RC3**

Continued on next page

| Item | Description | Piece(s)    |              |              |              |              |              |              |              |              | PU | Qty. in K- set | Order number |
|------|-------------|-------------|--------------|--------------|--------------|--------------|--------------|--------------|--------------|--------------|----|----------------|--------------|
|      |             | SW 710–1050 |              |              | SW 1051–1200 |              |              | SW 1201–1350 |              |              |    |                |              |
|      |             | SH 850–1200 | SH 1201–2200 | SH 2201–2800 | SH 860–1200  | SH 1201–2200 | SH 2201–2800 | SH 860–1200  | SH 1201–2200 | SH 2201–2800 |    |                |              |

|    |   |          |          |          |          |          |          |          |          |          |           |          |                       |
|----|---|----------|----------|----------|----------|----------|----------|----------|----------|----------|-----------|----------|-----------------------|
|    | <b>Insertable gear w/o M.D. RC2/RC3</b> | <b>1</b> | <b>1</b> | <b>1</b> | <b>1</b> | <b>1</b> | <b>1</b> | <b>1</b> | <b>1</b> | <b>1</b> | <b>10</b> | <b>-</b> | <b>K-19575-00-0-1</b> |
| 12 | Insertable gear RC w/o M.D.             | 1        | 1        | 1        | 1        | 1        | 1        | 1        | 1        | 1        | -         | 1        | 6-39385-12-0-1        |
| 16 | Anti-drill plate for insertable gear    | 1        | 1        | 1        | 1        | 1        | 1        | 1        | 1        | 1        | -         | 1        | 6-39081-01-0-0        |
| 17 | Counter plate                           | 2        | 2        | 2        | 2        | 2        | 2        | 2        | 2        | 2        | -         | 2        | 9-50034-00-0-8        |
| 18 | Cylinder head screw M4x8                | 2        | 2        | 2        | 2        | 2        | 2        | 2        | 2        | 2        | -         | 2        | 9-13713-08-R-8        |

|    |  |          |          |          |          |          |          |          |          |          |           |          |                       |
|----|--|----------|----------|----------|----------|----------|----------|----------|----------|----------|-----------|----------|-----------------------|
|    | <b>T&amp;T set, central locking system</b> | <b>1</b> | <b>1</b> | <b>1</b> | <b>1</b> | <b>1</b> | <b>1</b> | <b>1</b> | <b>1</b> | <b>1</b> | <b>10</b> | <b>-</b> | <b>K-19054-00-0-1</b> |
| -  | Handle connector-pin                       | -        | -        | -        | -        | -        | -        | -        | -        | -        | -         | 1        | 6-37090-00-0-1        |
| 22 | Corner-drive with M.D.                     | 1        | 1        | 1        | 1        | 1        | 1        | 1        | 1        | 1        | -         | 1        | 6-37120-00-0-1        |
| 26 | Clamping bracket                           | 1        | 1        | 1        | 1        | 1        | 1        | 1        | 1        | 1        | -         | 1        | 9-48157-00-0-1        |
| 29 | T&T tilter                                 | 1        | 1        | 1        | 1        | 1        | 1        | 1        | 1        | 1        | -         | 1        | 6-37258-00-0-1        |
| -  | Run-up block, sash part                    | -        | -        | -        | -        | -        | -        | -        | -        | -        | -         | 1        | 9-40404-00-0-1        |
| 34 | T&T fanlight hinge                         | 1        | 1        | 1        | 1        | 1        | 1        | 1        | 1        | 1        | -         | 1        | 6-37441-00-0-1        |

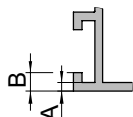
|    |                               |    |    |    |    |    |    |    |    |    |     |   |                |
|----|-------------------------------|----|----|----|----|----|----|----|----|----|-----|---|----------------|
| 40 | Corner-drive C-L              | 2  | 2  | 2  | 2  | 2  | 2  | 2  | 2  | 2  | 50  | - | 6-37266-00-0-1 |
| 42 | Packer for corner-drive C-L * | 2  | 2  | 2  | 2  | 2  | 2  | 2  | 2  | 2  | 100 | - | 9-48466-00-0-1 |
| 45 | Locking cam                   | -  | 2  | 4  | -  | 2  | 4  | 2  | 4  | 6  | 100 | - | 6-37111-00-0-8 |
| 48 | Mushroom cam RC3              | 12 | 12 | 12 | 14 | 14 | 14 | 15 | 15 | 15 | 100 | - | 9-48458-00-0-8 |

|    |  |                              |    |    |    |    |    |    |    |    |     |     |                |                |
|----|--|------------------------------|----|----|----|----|----|----|----|----|-----|-----|----------------|----------------|
| 55 | Striker  | for A=2.0                    | 1  | 3  | 5  | 1  | 3  | 5  | 3  | 5  | 7   | 100 | -              | 6-37261-01-0-1 |
|    |  | for A=1.5                    |    |    |    |    |    |    |    |    |     |     | 100            | -              |
| 57 | Sec striker                                      | for frame groove 10/14       | 12 | 12 | 12 | 14 | 14 | 14 | 15 | 15 | 15  | 100 | -              | 6-37254-10-0-8 |
|    |  | for frame groove B=4.0 14/18 |    |    |    |    |    |    |    |    |     | 100 | -              | 6-37254-14-0-8 |
|    |  | B=3.5                        |    |    |    |    |    |    |    |    |     | 100 | -              | 6-37254-15-0-8 |
| 59 | T&T striker                                      | for A=2.0                    | 1  | 1  | 1  | 1  | 1  | 1  | 1  | 1  | 1   | 100 | -              | 6-39907-01-0-1 |
|    |  | for A=1.5                    |    |    |    |    |    |    |    |    |     | 100 | -              | 6-39907-02-0-1 |
| 60 | Sec clearance packer / TU-ON window run-up block | 1                            | 1  | 1  | 1  | 1  | 1  | 1  | 1  | 1  | 100 | -   | 6-38807-00-0-1 |                |
| 82 | MODENA-F/Z turn handle, lockable 100 Nm          | 1                            | 1  | 1  | 1  | 1  | 1  | 1  | 1  | 1  | 10  | -   | 6-34397-29-0-1 |                |
| 85 | Countersunk screw M5x30                          | 2                            | 2  | 2  | 2  | 2  | 2  | 2  | 2  | 2  | 100 | -   | 9-13255-30-0-1 |                |

**Accessories**

|     |         |                       |   |   |   |   |   |   |   |   |    |   |                |
|-----|---------|-----------------------|---|---|---|---|---|---|---|---|----|---|----------------|
| 271 | Stopper | for Turn-Only windows | 1 | 1 | 1 | 1 | 1 | 1 | 1 | 1 | 10 | - | 6-39548-00-0-0 |
|-----|---------|-----------------------|---|---|---|---|---|---|---|---|----|---|----------------|

\* Only with deep groove with groove width 13.6–15 mm and groove depth 5.5–7 mm.

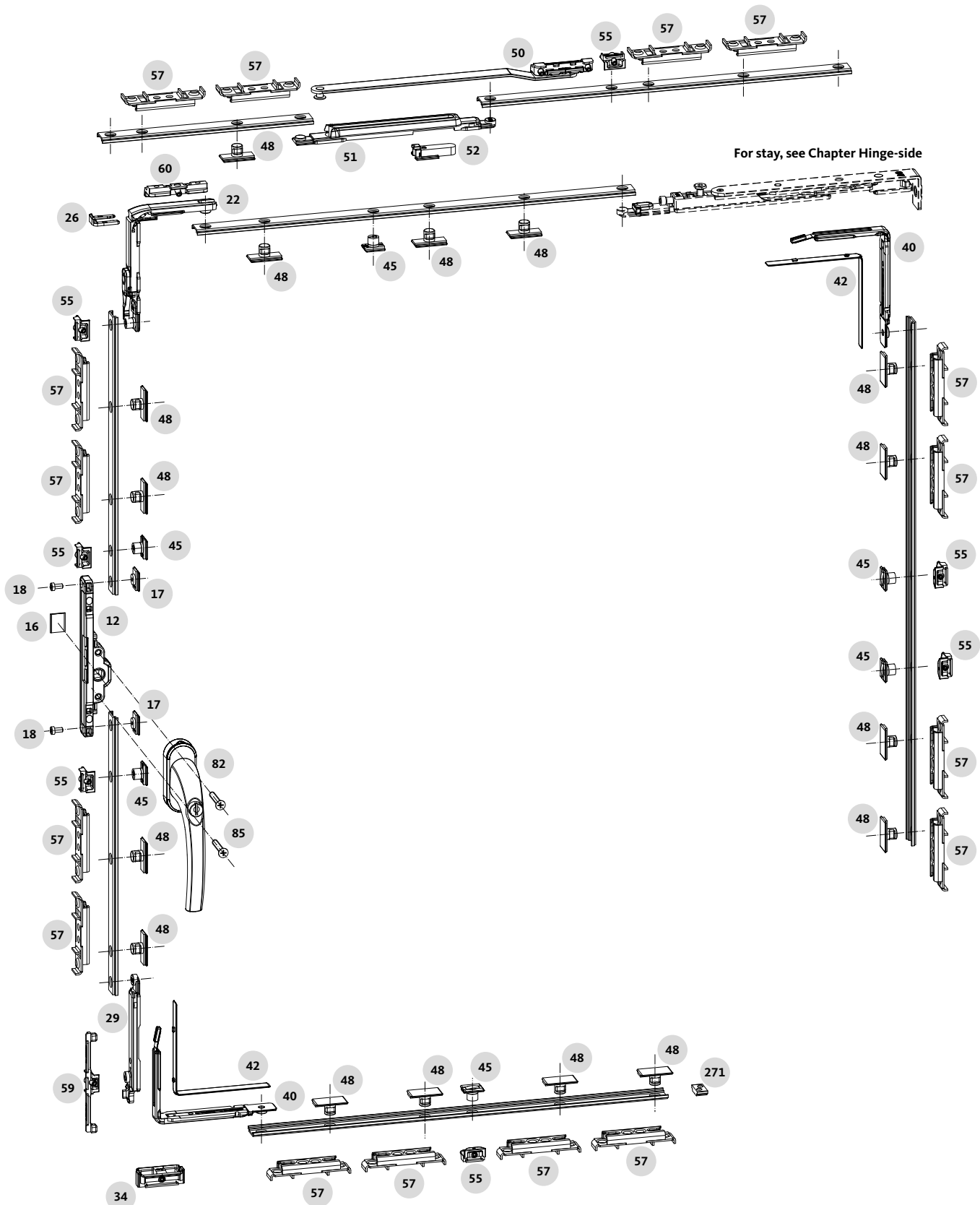


# RC3 Overviews of hardware sets

Tilt&Turn window with insertable gear – SW 1351–1700 mm



RC3



# RC3 Overviews of hardware sets

## Tilt&Turn window with insertable gear – SW 1351–1700 mm



Continued

**RC3**

| Item | Description | Piece(s)     |              |              |              |              |              | PU | Qty. in K-set | Order number |
|------|-------------|--------------|--------------|--------------|--------------|--------------|--------------|----|---------------|--------------|
|      |             | SW 1351–1450 |              |              | SW 1451–1700 |              |              |    |               |              |
|      |             | SH 960–1200  | SH 1201–2200 | SH 2201–2800 | SH 1040–1200 | SH 1201–2200 | SH 2201–2800 |    |               |              |

| <b>Insertable gear w/o M.D. RC2/RC3</b> |                                      | 1 | 1 | 1 | 1 | 1 | 1 | 10 | – | <b>K-19575-00-0-1</b> |
|---|--------------------------------------|---|---|---|---|---|---|----|---|-----------------------|
| 12                                      | Insertable gear RC w/o M.D.          | 1 | 1 | 1 | 1 | 1 | 1 | –  | 1 | 6-39385-12-0-1        |
| 16                                      | Anti-drill plate for insertable gear | 1 | 1 | 1 | 1 | 1 | 1 | –  | 1 | 6-39081-01-0-0        |
| 17                                      | Counter plate                        | 2 | 2 | 2 | 2 | 2 | 2 | –  | 2 | 9-50034-00-0-8        |
| 18                                      | Cylinder head screw M4x8             | 2 | 2 | 2 | 2 | 2 | 2 | –  | 2 | 9-13713-08-R-8        |

| <b>T&amp;T set, central locking system</b> |                         | 1 | 1 | 1 | 1 | 1 | 1 | 10 | – | <b>K-19054-00-0-1</b> |
|--|-------------------------|---|---|---|---|---|---|----|---|-----------------------|
| –  | Handle connector-pin    | – | – | – | – | – | – | –  | 1 | 6-37090-00-0-1        |
| 22   | Corner-drive with M.D.  | 1 | 1 | 1 | 1 | 1 | 1 | –  | 1 | 6-37120-00-0-1        |
| 26   | Clamping bracket        | 1 | 1 | 1 | 1 | 1 | 1 | –  | 1 | 9-48157-00-0-1        |
| 29   | T&T tilter              | 1 | 1 | 1 | 1 | 1 | 1 | –  | 1 | 6-37258-00-0-1        |
| –  | Run-up block, sash part | – | – | – | – | – | – | –  | 1 | 9-40404-00-0-1        |
| 34   | T&T fanlight hinge      | 1 | 1 | 1 | 1 | 1 | 1 | –  | 1 | 6-37441-00-0-1        |

|    |                               |    |    |    |    |    |    |     |   |                |
|----|-------------------------------|----|----|----|----|----|----|-----|---|----------------|
| 40 | Corner-drive C-L              | 2  | 2  | 2  | 2  | 2  | 2  | 50  | – | 6-37266-00-0-1 |
| 42 | Packer for corner-drive C-L * | 2  | 2  | 2  | 2  | 2  | 2  | 100 | – | 9-48466-00-0-1 |
| 45 | Locking cam                   | 2  | 4  | 6  | 2  | 4  | 6  | 100 | – | 6-37111-00-0-8 |
| 48 | Mushroom cam RC3              | 15 | 15 | 15 | 16 | 16 | 16 | 100 | – | 9-48458-00-0-8 |

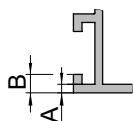
| <b>Set of additional stays</b> |                             | 1                   | 1 | 1 | 1 | 1 | 1 | 10 | – | <b>K-19013-00-0-1</b> |   |                |
|--------------------------------|-----------------------------|---------------------|---|---|---|---|---|----|---|-----------------------|---|----------------|
| 50                             | Stay-arm, additional stay   | 1                   | 1 | 1 | 1 | 1 | 1 | –  | 1 | 6-37840-00-0-1        |   |                |
| 51                             | Stay-guide, additional stay | 1                   | 1 | 1 | 1 | 1 | 1 | –  | 1 | 6-37841-00-0-1        |   |                |
| 52                             | Opening restrictor          | with hinge-side 710 |   |   |   |   | 1 | 1  | 1 | –                     | 1 | 6-38803-00-0-1 |

|    |  |                        |    |    |    |    |    |     |     |                |                |
|----|--|------------------------|----|----|----|----|----|-----|-----|----------------|----------------|
| 55 | Striker  | for A=2.0              | 3  | 5  | 7  | 3  | 5  | 7   | 100 | –              | 6-37261-01-0-1 |
|    |  | for A=1.5              |    |    |    |    |    |     | 100 | –              | 6-37261-02-0-1 |
| 57 | Sec striker                                      | for frame groove 10/14 | 15 | 15 | 15 | 16 | 16 | 16  | 100 | –              | 6-37254-10-0-8 |
|    |  | B=4.0                  |    |    |    |    |    |     | 100 | –              | 6-37254-14-0-8 |
|    |  | B=3.5                  |    |    |    |    |    |     | 100 | –              | 6-37254-15-0-8 |
| 59 | T&T striker                                      | for A=2.0              | 1  | 1  | 1  | 1  | 1  | 1   | 100 | –              | 6-39907-01-0-1 |
|    |  | for A=1.5              |    |    |    |    |    |     | 100 | –              | 6-39907-02-0-1 |
| 60 | Sec clearance packer / TU-ON window run-up block | 1                      | 1  | 1  | 1  | 1  | 1  | 100 | –   | 6-38807-00-0-1 |                |
| 82 | MODENA-F/Z turn handle, lockable 100 Nm          | 1                      | 1  | 1  | 1  | 1  | 1  | 10  | –   | 6-34397-29-0-1 |                |
| 85 | Countersunk screw M5x30                          | 2                      | 2  | 2  | 2  | 2  | 2  | 100 | –   | 9-13255-30-0-1 |                |

### Accessories

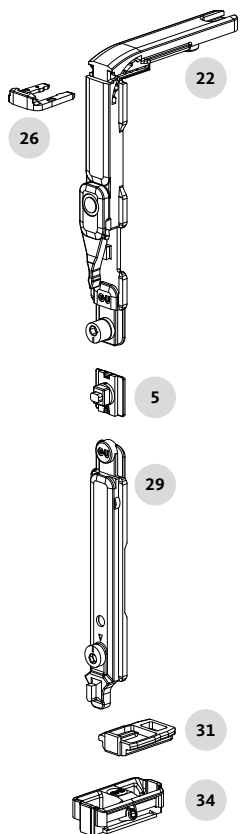
|     |         |                       |  |  |  |  |   |   |   |   |    |   |                |
|-----|---------|-----------------------|--|--|--|--|---|---|---|---|----|---|----------------|
| 271 | Stopper | for Turn-Only windows |  |  |  |  | 1 | 1 | 1 | 1 | 10 | – | 6-39548-00-0-0 |
|-----|---------|-----------------------|--|--|--|--|---|---|---|---|----|---|----------------|

\* Only with deep groove with groove width 13.6–15 mm and groove depth 5.5–7 mm.



# Individual components

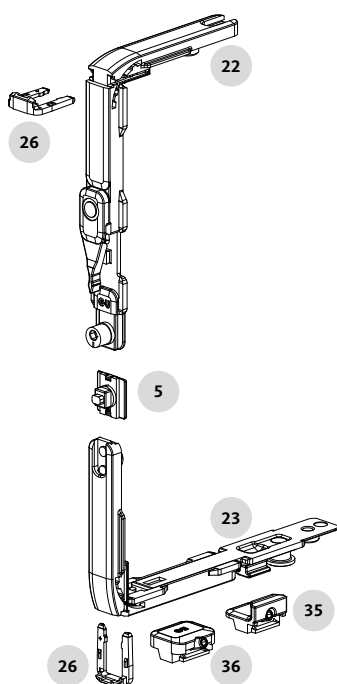
## Central locking system set



### T&T set, central locking system

| Technical data     |                         |
|--------------------|-------------------------|
| Opening type       | Tilt&Turn window        |
| DIN side of hinges | left   right            |
| Frame groove [mm]  | 10/14   12/15   14/18   |
| Finish             | ferGUard*silver         |
| Installation tool  | Hexagon socket size 2.5 |
| Adjusting tool     | Hexagon socket size 4   |

|  | PU | Order number   |
|--|----|----------------|
|  | 10 | K-19054-00-0-1 |



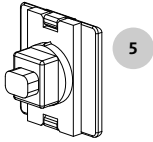
### TF set, central locking system

| Technical data     |                         |
|--------------------|-------------------------|
| Opening type       | Tilt-First window       |
| DIN side of hinges | left   right            |
| Frame groove [mm]  | 10/14   12/15   14/18   |
| Finish             | ferGUard*silver         |
| Installation tool  | Hexagon socket size 2.5 |
| Adjusting tool     | Hexagon socket size 4   |

|  | PU | Order number   |
|--|----|----------------|
|  | 10 | K-19084-00-0-1 |

# Individual components

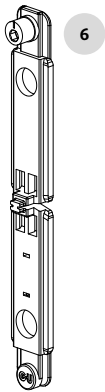
## Connector for geared turn handle



### Handle connector-pin

| Technical data     |  |
|--------------------|--|
| Opening type       | Tilt&Turn window   Tilt-First window   Turn-Only window   Tilt-Only window |
| DIN side of hinges | left   right   |
| Finish             | ferGUard*silver  |
| Installation tool  | -  |

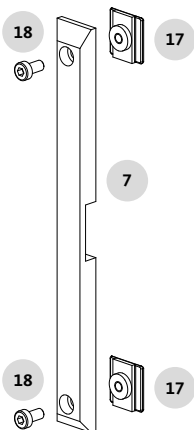
|  | PU  | Order number   |
|--|-----|----------------|
|  | 100 | 6-37090-00-0-1 |



### Connector for divided connecting rod

| Technical data                        |  |
|---------------------------------------|--|
| Opening type                          | Tilt&Turn window   Tilt-First window   Turn-Only window   Tilt-Only window |
| DIN side of hinges                    | left   right   |
| Finish                                | ferGUard*silver  |
| Distance between engagement pins [mm] | 140  |
| Installation tool                     | -  |
| Adjusting tool                        | Hexagon socket size 4  |

|  | PU | Order number   |
|--|----|----------------|
|  | 50 | 6-37257-00-0-1 |



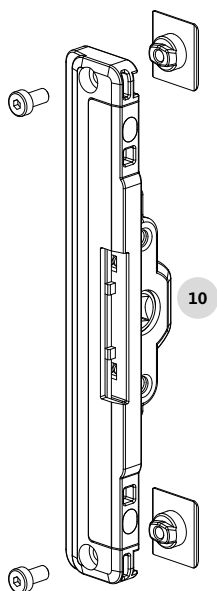
### RC2/RC3 handle connector set

| Technical data                        |   |
|---------------------------------------|---|
| Version                               | only in conjunction with ADAGIO geared turn handle, lockable RC2/RC3 K-19821-00-0 |
| Opening type                          | Tilt&Turn window   Tilt-First window   Turn-Only window   Tilt-Only window        |
| DIN side of hinges                    | left   right  |
| Burglar resistance class              | RC2   RC3   |
| Finish                                | ferGUard*silver   |
| Distance between engagement pins [mm] | 140   |
| Installation tool                     | Hexagon socket size 2.5   |

|  | PU | Order number   |
|--|----|----------------|
|  | 10 | K-19820-00-0-1 |

# Individual components

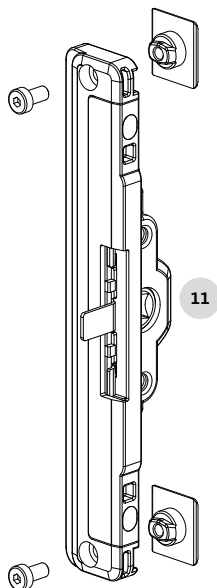
## Insertable gear / insertable lock



### Insertable gear w/o M.D.

| Technical data                        |  |
|---------------------------------------|--|
| Version                               | without mishandling device   |
| Opening type                          | Tilt&Turn window   Tilt-First window   Turn-Only window   Tilt-Only window |
| DIN side of hinges                    | left   right   |
| Finish                                | ferGUard*silver  |
| Diameter of hole/engagement pin [mm]  | 10   |
| Overlap up to handle axis [mm]        | 23   |
| Distance between engagement pins [mm] | 140  |
| Distance between fixing holes [mm]    | 43   |
| Installation tool                     | Hexagon socket size 2.5  |

|  | PU | Order number   |
|--|----|----------------|
|  | 10 | K-21013-00-0-1 |



### Insertable gear with M.D.

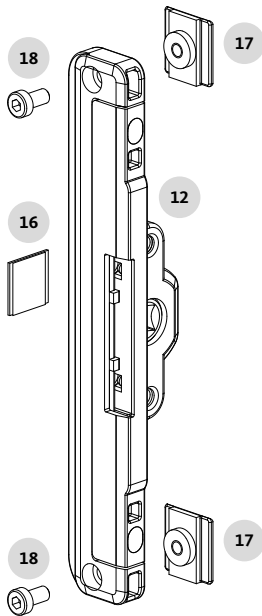
| Technical data                        |  |
|---------------------------------------|--|
| Version                               | with mishandling device  |
| Opening type                          | Tilt&Turn window   Tilt-First window   Turn-Only window   Tilt-Only window |
| DIN side of hinges                    | left   right   |
| Finish                                | ferGUard*silver  |
| Diameter of hole/engagement pin [mm]  | 10   |
| Overlap up to handle axis [mm]        | 23   |
| Distance between engagement pins [mm] | 140  |
| Distance between fixing holes [mm]    | 43   |
| Installation tool                     | Hexagon socket size 2.5  |

|  | PU | Order number   |
|--|----|----------------|
|  | 10 | K-21012-00-0-1 |



# Individual components

## Insertable gear / insertable lock



### Insertable gear w/o M.D. RC2/RC3

| Technical data                        |   |
|---------------------------------------|---|
| Version                               | with anti-drill plate and screw connection to the connecting rod   without mishandling device |
| Opening type                          | Tilt&Turn window   Tilt-First window   Turn-Only window   Tilt-Only window                    |
| DIN side of hinges                    | left   right  |
| Burglar resistance class              | RC2   RC3   |
| Finish                                | ferGUard*silver   |
| Diameter of hole/engagement pin [mm]  | 10  |
| Overlap up to handle axis [mm]        | 23  |
| Distance between engagement pins [mm] | 140   |
| Distance between fixing holes [mm]    | 43  |
| Installation tool                     | Hexagon socket size 2.5   |

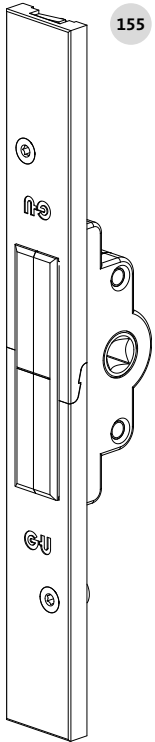
|  | PU | Order number   |
|--|----|----------------|
|  | 10 | K-19575-00-0-1 |

# Individual components

## Insertable gear / insertable lock



155



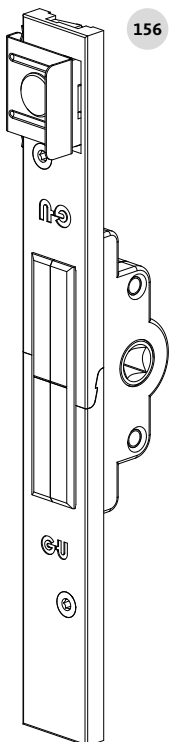
### Insertable gear w/o M.D.

| Technical data                        |  |
|---------------------------------------|--|
| Version                               | without mishandling device   |
| Opening type                          | Tilt&Turn window   Tilt-First window   Turn-Only window   Tilt-Only window |
| DIN side of hinges                    | left   right   |
| Finish                                | ferGUard*silver  |
| Diameter of hole/engagement pin [mm]  | 6 *  |
| Distance between engagement pins [mm] | 190  |
| Distance between fixing holes [mm]    | 43   |
| Installation tool                     | Hexagon socket size 2.5  |

| Overlap up to handle axis [mm] | PU | Order number   |
|--------------------------------|----|----------------|
| 36                             | 10 | 6-25916-25-0-1 |
| 41                             | 10 | 6-25916-30-0-1 |
| 46                             | 10 | 6-25916-35-0-1 |
| 51                             | 10 | 6-25916-40-0-1 |
| 56                             | 10 | 6-25916-45-0-1 |
| 61                             | 10 | 6-25916-50-0-1 |

\* 2 x adapter ring Ø6 to Ø10 (9-48454-00-0-6)

156



### Insertable gear with M.D.

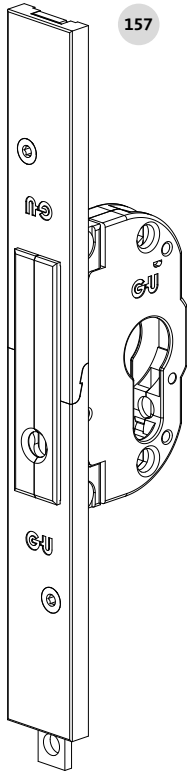
| Technical data                        |                                      |
|---------------------------------------|--------------------------------------|
| Version                               | with mishandling device              |
| Opening type                          | Tilt&Turn window   Tilt-First window |
| DIN side of hinges                    | left   right                         |
| Finish                                | ferGUard*silver                      |
| Diameter of hole/engagement pin [mm]  | 6 *                                  |
| Distance between engagement pins [mm] | 190                                  |
| Distance between fixing holes [mm]    | 43                                   |
| Installation tool                     | Hexagon socket size 2.5              |

| Overlap up to handle axis [mm] | PU | Order number   |
|--------------------------------|----|----------------|
| 36                             | 10 | 6-25917-25-0-1 |
| 41                             | 10 | 6-25917-30-0-1 |
| 46                             | 10 | 6-25917-35-0-1 |
| 51                             | 10 | 6-25917-40-0-1 |
| 56                             | 10 | 6-25917-45-0-1 |

\* 2 x adapter ring Ø6 to Ø10 (9-48454-00-0-6)

# Individual components

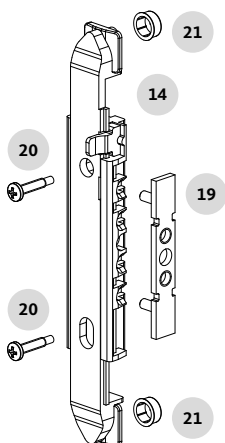
## Insertable gear / insertable lock



### Insertable lock for PC

| Technical data                        |   |
|---------------------------------------|---|
| Version                               | for profile cylinders                                   |
| Opening type                          | Tilt&Turn window   Tilt-First window   Turn-Only window |
| DIN side of hinges                    | left   right  |
| Finish                                | ferGUard*silver   |
| Diameter of hole/engagement pin [mm]  | 6   |
| Distance between engagement pins [mm] | 200   |
| Distance between fixing holes [mm]    | 63  |
| Installation tool                     | Hexagon socket size 2.5                                 |

| Overlap up to handle axis [mm] | PU | Order number   |
|--------------------------------|----|----------------|
| 36                             | 10 | 6-25918-25-0-1 |
| 41                             | 10 | 6-25918-30-0-1 |
| 46                             | 10 | 6-25918-35-0-1 |
| 51                             | 10 | 6-25918-40-0-1 |
| 56                             | 10 | 6-25918-45-0-1 |
| 61                             | 10 | 6-25918-50-0-1 |



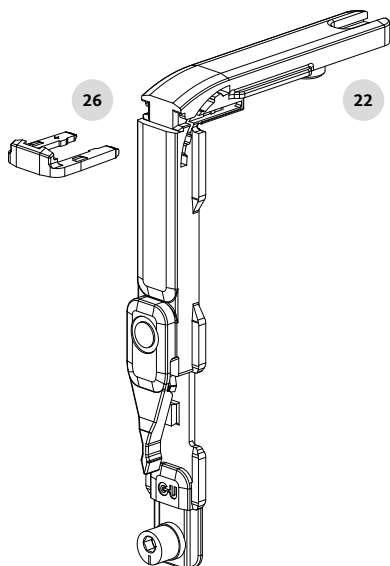
### Insertable gear, rosette-free handle

| Technical data                        |   |
|---------------------------------------|---|
| Version                               | with mishandling device   can only be used with turn handles without rosettes 6-40186, K-20048, K-20049 |
| Opening type                          | Tilt&Turn window   Tilt-First window   Turn-Only window   Tilt-Only window                              |
| DIN side of hinges                    | left   right  |
| Finish                                | ferGUard*silver   |
| Diameter of hole/engagement pin [mm]  | 10  |
| Overlap up to handle axis [mm]        | 14.5  |
| Distance between engagement pins [mm] | 154   |
| Distance between fixing holes [mm]    | 17  |

|  | PU | Order number   |
|--|----|----------------|
|  | 10 | K-20050-00-0-1 |

# Individual components

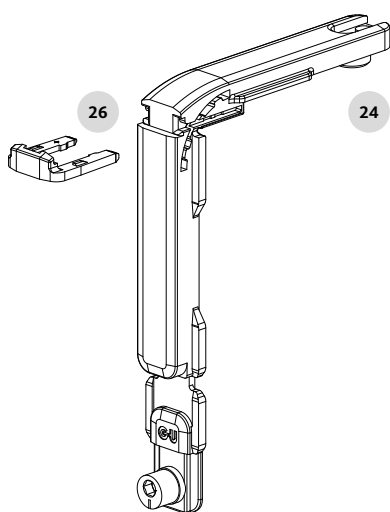
## Corner-drive



### Corner-drive with M.D.

| Technical data             |   |
|----------------------------|---|
| Version                    | with mishandling device                                 |
| Opening type               | Tilt&Turn window   Tilt-First window   Turn-Only window |
| DIN side of hinges         | left   right  |
| Finish                     | ferGUard*silver   |
| Height of locking cam [mm] | 6.5   |
| Installation tool          | -   |
| Adjusting tool             | Hexagon socket size 4                                   |

|  | PU | Order number   |
|--|----|----------------|
|  | 50 | K-19772-00-0-1 |



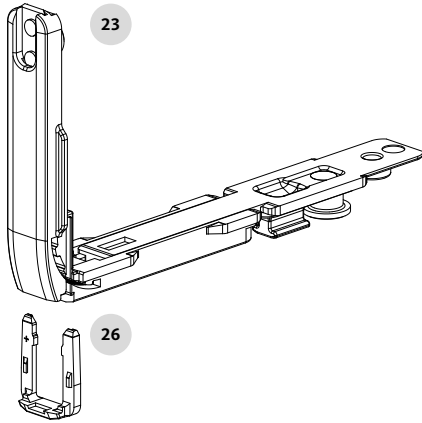
### Corner-drive without M.D.

| Technical data             |   |
|----------------------------|---|
| Version                    | without mishandling device  |
| Opening type               | Tilt&Turn window   Tilt-First window   Turn-Only window   Tilt-Only window   Dummy-mullion sash |
| DIN side of hinges         | left   right  |
| Finish                     | ferGUard*silver   |
| Height of locking cam [mm] | 6.5   |
| Installation tool          | -   |
| Adjusting tool             | Hexagon socket size 4   |

|                    | PU | Order number   |
|--------------------|----|----------------|
| Individual pack    | 50 | K-19774-00-0-1 |
| Industrial packing | 50 | K-19775-00-0-1 |

# Individual components

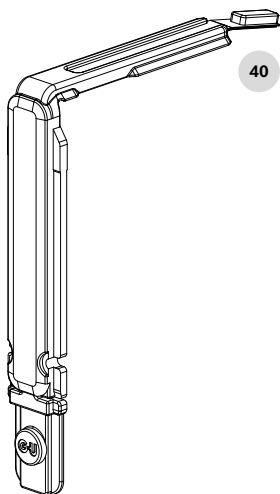
## Corner-drive



### Tilt corner-drive TF

| Technical data             |                       |
|----------------------------|-----------------------|
| Opening type               | Tilt-First window     |
| DIN side of hinges         | left   right          |
| Finish                     | ferGUard*silver       |
| Height of locking cam [mm] | 6.7                   |
| Installation tool          | -                     |
| Adjusting tool             | Hexagon socket size 4 |

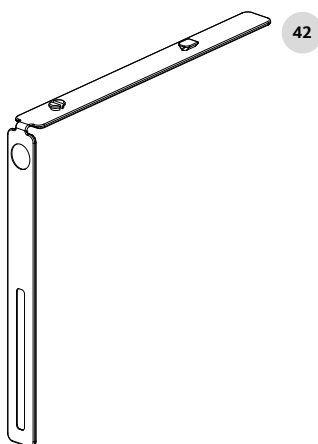
|  | PU | Order number   |
|--|----|----------------|
|  | 50 | K-19773-00-0-1 |



### Corner-drive C-L

| Technical data     |   |
|--------------------|---|
| Version            | for centre-lock   |
| Opening type       | Tilt&Turn window   Tilt-First window   Turn-Only window |
| DIN side of hinges | left   right  |
| Finish             | ferGUard*silver   |
| Installation tool  | -   |

|  | PU | Order number   |
|--|----|----------------|
|  | 50 | 6-37266-00-0-1 |



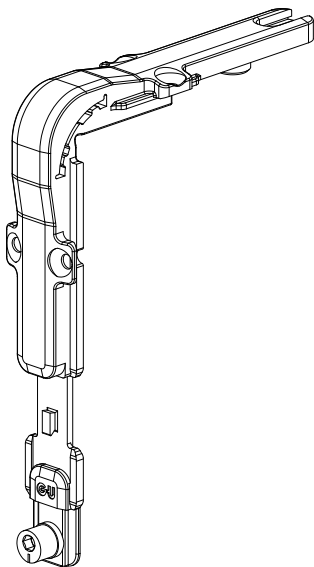
### Packer for corner-drive C-L

| Technical data     |   |
|--------------------|---|
| Version            | for corner-drive C-L 6-37266   only with deep groove with groove width 13.6–15 mm and groove depth 5.5–7 mm |
| Opening type       | Tilt&Turn window   Tilt-First window   Turn-Only window   |
| DIN side of hinges | left   right  |
| Finish             | grey  |
| Type of fixing     | for clipping in   |
| Installation tool  | -   |

|  | PU  | Order number   |
|--|-----|----------------|
|  | 100 | 9-48466-00-0-1 |

# Individual components

## Corner-drive



### Corner-drive S

| Technical data             |  |
|----------------------------|--|
| Version                    | reinforced version<br>without mishandling device           |
| Opening type               | Tilt&Turn window   Tilt-First window  <br>Turn-Only window |
| DIN side of hinges         | left   right   |
| Finish                     | ferGUard*silver  |
| Height of locking cam [mm] | 6.5  |
| Type of fixing             | screw-on   |
| Installation tool          | -  |
| Adjusting tool             | Hexagon socket size 4                                      |

|  | PU | Order number   |
|--|----|----------------|
|  | 10 | 6-40912-00-0-1 |

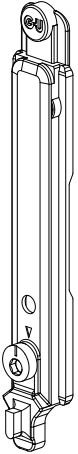
Note: The suitable drilling jig can be found on page 175.

# Individual components

## Tilter



29



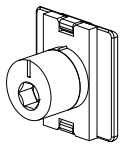
### T&T tilter

| Technical data     |                                     |
|--------------------|-------------------------------------|
| Opening type       | Tilt&Turn window   Turn-Only window |
| DIN side of hinges | left   right                        |
| Finish             | ferGUard*silver                     |
| Installation tool  | -                                   |
| Adjusting tool     | Hexagon socket size 4               |

|  | PU | Order number   |
|--|----|----------------|
|  | 50 | 6-37258-00-0-1 |

# Individual components

## Locking cam

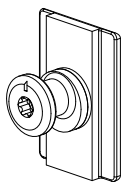


45

### Locking cam

| Technical data             |   |
|----------------------------|---|
| Version                    | for insertion   |
| Opening type               | Tilt&Turn window   Tilt-First window   Turn-Only window   Tilt-Only window   Dummy-mullion sash |
| DIN side of hinges         | left   right  |
| Finish                     | stainless steel   |
| Height of locking cam [mm] | 6.5   |
| Installation tool          | -   |
| Adjusting tool             | Hexagon socket size 4   |

|  | PU  | Order number   |
|--|-----|----------------|
|  | 100 | 6-37111-00-0-8 |

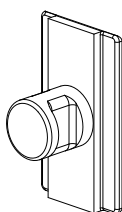


47

### Mushroom cam RC2

| Technical data             |   |
|----------------------------|---|
| Version                    | for insertion   |
| Opening type               | Tilt&Turn window   Tilt-First window   Turn-Only window   Tilt-Only window   Dummy-mullion sash |
| DIN side of hinges         | left   right  |
| Finish                     | stainless steel   |
| Height of locking cam [mm] | 8.2   |
| Installation tool          | -   |
| Adjusting tool             | Hexalobular internal T15  |

|  | PU  | Order number   |
|--|-----|----------------|
|  | 100 | 6-37114-00-0-8 |



48

### Mushroom cam RC3

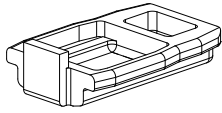
| Technical data             |   |
|----------------------------|---|
| Version                    | for insertion   |
| Opening type               | Tilt&Turn window   Tilt-First window   Turn-Only window   Tilt-Only window   Dummy-mullion sash |
| DIN side of hinges         | left   right  |
| Finish                     | stainless steel   |
| Height of locking cam [mm] | 8.2   |
| Installation tool          | -   |

|  | PU  | Order number   |
|--|-----|----------------|
|  | 100 | 9-48458-00-0-8 |



# Individual components

## Run-up block, sash part



31

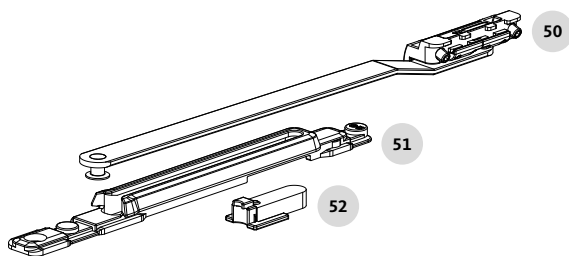
### Run-up block, sash part

| Technical data     |  |
|--------------------|--|
| Opening type       | Tilt&Turn window   Turn-Only window   Dummy-mullion sash |
| DIN side of hinges | left   right   |
| Finish             | grey   |
| Installation tool  | -  |

|  | PU | Order number   |
|--|----|----------------|
|  | 10 | 9-40404-00-0-1 |

# Individual components

## Additional stay



### Set of additional stays

| Technical data       |                                      |
|----------------------|--------------------------------------|
| Opening type         | Tilt&Turn window   Tilt-First window |
| DIN side of hinges   | left   right                         |
| Finish               | ferGUard*silver                      |
| Min. sash width [mm] | 1351                                 |
| Max. sash width [mm] | 1700                                 |
| Type of fixing       | clampable                            |
| Installation tool    | Hexagon socket size 2.5              |

|  | PU | Order number   |
|--|----|----------------|
|  | 10 | K-19013-00-0-1 |



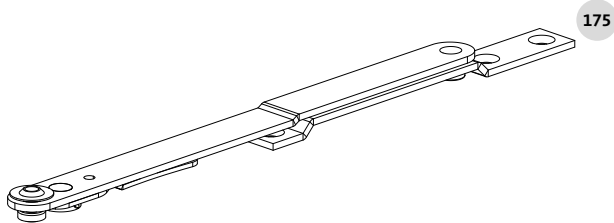
### Adapter for additional stay

| Technical data     |                                      |
|--------------------|--------------------------------------|
| Opening type       | Tilt&Turn window   Tilt-First window |
| DIN side of hinges | left   right                         |
| Finish             | grey                                 |

|  | PU | Order number   |
|--|----|----------------|
|  | 10 | 9-50638-00-0-1 |

# Individual components

## Hardware components for Tilt-Only windows

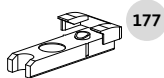


### Tilt-Only stay

| Technical data     |                       |
|--------------------|-----------------------|
| Opening type       | Tilt-Only window      |
| DIN side of hinges | left   right          |
| Frame groove [mm]  | 10/14   12/15   14/18 |
| Finish             | ferGUard*silver       |
| Type of fixing     | screw-on              |

|  | PU | Order number   |
|--|----|----------------|
|  | 10 | U-76500-00-0-1 |

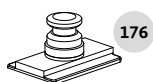
Note: for application ranges and information on the quantities required in relation to the application range, refer to the respective installation drawings: surface-mounted hinge-side 0-48937, concealed hinge-side 0-49059.



### Packer for Tilt-Only stay

| Technical data     |                  |
|--------------------|------------------|
| Opening type       | Tilt-Only window |
| DIN side of hinges | left   right     |
| Finish             | grey             |

|  | PU  | Order number   |
|--|-----|----------------|
|  | 100 | 9-47202-00-0-1 |



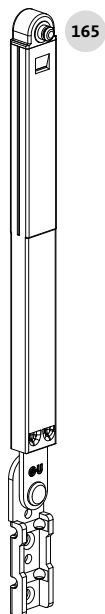
### Engagement pin, Tilt-Only stay

| Technical data     |                  |
|--------------------|------------------|
| Opening type       | Tilt-Only window |
| DIN side of hinges | left   right     |
| Finish             | ferGUard*silver  |

|  | PU | Order number   |
|--|----|----------------|
|  | 10 | 6-40477-00-0-1 |

# Individual components

## Hardware components for Tilt-Only windows

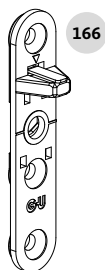


### EURO-SOLID restrictor and cleaning stay

| Technical data     |                  |
|--------------------|------------------|
| Opening type       | Tilt-Only window |
| DIN side of hinges | left   right     |
| Finish             | stainless steel  |
| Type of fixing     | screw-on         |

| Size | PU | Order number   |
|------|----|----------------|
| 01   | 10 | 6-27995-01-0-8 |
| 02   | 10 | 6-27995-02-0-8 |
| 03   | 10 | 6-27995-03-0-8 |
| 04   | 10 | 6-27995-04-0-8 |

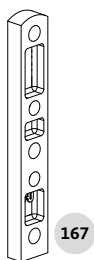
Note: for application ranges and information on the quantities required in relation to the application range, refer to the respective installation drawings: surface-mounted hinge-side 0-48937, concealed hinge-side 0-49059.



### EURO-SOLID accessories set / EGO-B/ EGO-FL

| Technical data     |                  |
|--------------------|------------------|
| Opening type       | Tilt-Only window |
| DIN side of hinges | left   right     |
| Finish             | ferGUard*silver  |
| Type of fixing     | screw-on         |

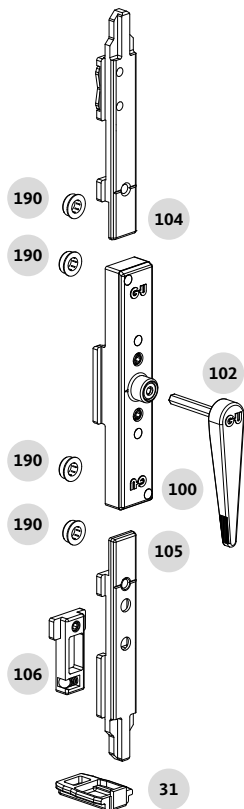
|  | PU | Order number   |
|--|----|----------------|
|  | 10 | K-14686-00-0-1 |



# Individual components



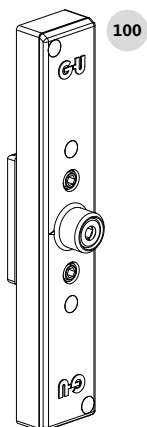
Hardware components for dummy mullion sash with central locking system in the sash groove (ST-FLN)



## ST-FLN lever-operated gear set

| Technical data                |                         |
|-------------------------------|-------------------------|
| Opening type                  | Dummy-mullion sash      |
| For dummy-mullion sash groove | ST-FLN                  |
| DIN side of hinges            | left   right            |
| Finish                        | ferGUard*silver         |
| Type of fixing                | clampable               |
| Installation tool             | Hexagon socket size 2.5 |

|  | PU | Order number   |
|--|----|----------------|
|  | 10 | K-19589-00-0-1 |



## Lever-operated gear

| Technical data                |                         |
|-------------------------------|-------------------------|
| Opening type                  | Dummy-mullion sash      |
| For dummy-mullion sash groove | ST-FLN                  |
| DIN side of hinges            | left   right            |
| Finish                        | ferGUard*silver         |
| Type of fixing                | clampable               |
| Installation tool             | Hexagon socket size 2.5 |

|  | PU | Order number   |
|--|----|----------------|
|  | 10 | 6-24680-00-0-1 |

## Individual components

### Hardware components for dummy mullion sash with central locking system in the sash groove (ST-FLN)

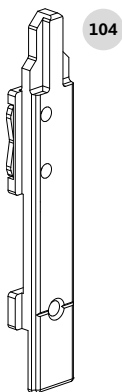


102

#### Hand lever

| Technical data                |                                  |
|-------------------------------|----------------------------------|
| Version                       | for lever-operated gears 6-24680 |
| Opening type                  | Dummy-mullion sash               |
| For dummy-mullion sash groove | ST-FLN                           |
| DIN side of hinges            | left   right                     |
| Finish                        | ferGUard*silver                  |
| Type of fixing                | pluggable                        |
| Installation tool             | -                                |

|  | PU | Order number   |
|--|----|----------------|
|  | 10 | 6-23903-38-0-1 |

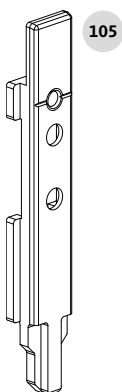


104

#### Top connecting rod shoot-bolt

| Technical data                |                    |
|-------------------------------|--------------------|
| Version                       | with glide brake   |
| Opening type                  | Dummy-mullion sash |
| For dummy-mullion sash groove | ST-FLN             |
| DIN side of hinges            | left   right       |
| Finish                        | ferGUard*silver    |
| Installation tool             | -                  |

|  | PU | Order number   |
|--|----|----------------|
|  | 10 | G-17509-00-0-1 |



105

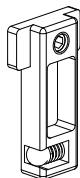
#### Bottom connecting rod shoot-bolt

| Technical data                |                           |
|-------------------------------|---------------------------|
| Version                       | for bottom keeper G-12096 |
| Opening type                  | Dummy-mullion sash        |
| For dummy-mullion sash groove | ST-FLN                    |
| DIN side of hinges            | left   right              |
| Finish                        | ferGUard*silver           |
| Installation tool             | -                         |

|  | PU | Order number   |
|--|----|----------------|
|  | 10 | E-12832-00-0-1 |

# Individual components

Hardware components for dummy mullion sash with central locking system in the sash groove (ST-FLN)



106

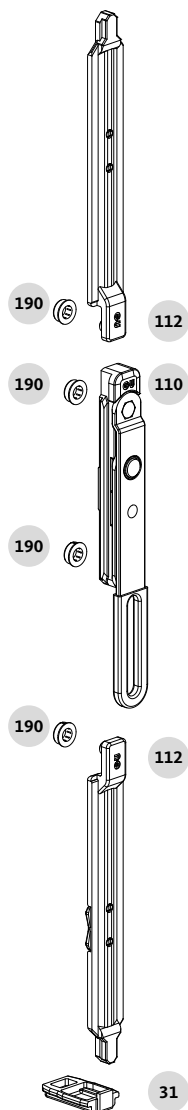
## Bottom keeper

| Technical data     |                                       |
|--------------------|---------------------------------------|
| Version            | for connecting rod shoot-bolt E-12832 |
| Opening type       | Dummy-mullion sash                    |
| DIN side of hinges | left   right                          |
| Finish             | ferGUard*silver                       |
| Type of fixing     | clampable                             |
| Installation tool  | Hexagon socket size 2.5               |

|  | PU | Order number   |
|--|----|----------------|
|  | 10 | G-12096-00-0-1 |

# Individual components

Hardware components for dummy mullion sash with central locking system in the double C groove (ST-DCN)



## ST-DCN lever-operated gear set

| Technical data                |                         |
|-------------------------------|-------------------------|
| Opening type                  | Dummy-mullion sash      |
| For dummy-mullion sash groove | ST-DCN                  |
| DIN side of hinges            | left   right            |
| Finish                        | ferGUard*silver         |
| Type of fixing                | clampable               |
| Installation tool             | Hexagon socket size 2.5 |

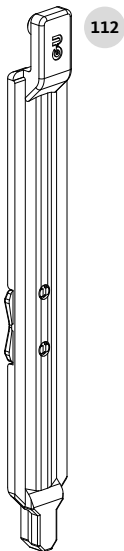
|  | PU | Order number   |
|--|----|----------------|
|  | 10 | K-19590-00-0-1 |



# Individual components



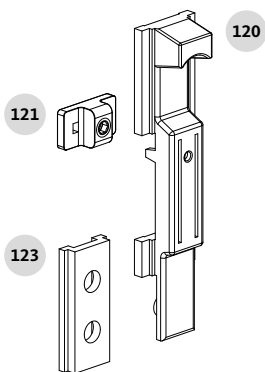
Hardware components for dummy mullion sash with central locking system in the double C groove (ST-DCN)



### Connecting rod shoot-bolt

| Technical data                |                    |
|-------------------------------|--------------------|
| Opening type                  | Dummy-mullion sash |
| For dummy-mullion sash groove | ST-DCN             |
| DIN side of hinges            | left   right       |
| Finish                        | ferGUard*silver    |
| Installation tool             | -                  |

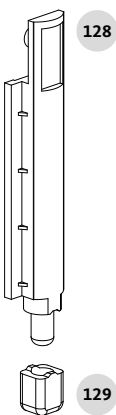
|  | PU | Order number   |
|--|----|----------------|
|  | 10 | 6-31038-00-0-1 |



### ST-DCN set of sliders

| Technical data                |                         |
|-------------------------------|-------------------------|
| Opening type                  | Dummy-mullion sash      |
| For dummy-mullion sash groove | ST-DCN                  |
| DIN side of hinges            | left   right            |
| Finish                        | grey                    |
| Type of fixing                | clampable               |
| Installation tool             | Hexagon socket size 2.5 |

|  | PU | Order number   |
|--|----|----------------|
|  | 10 | K-15816-00-0-1 |



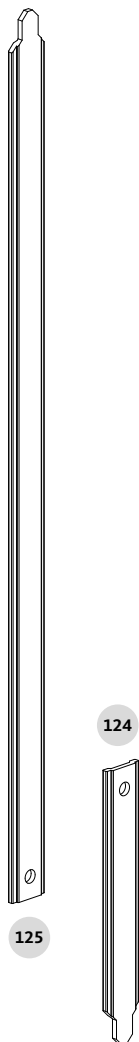
### TU-ON + ST-DCN connecting rod shoot-bolt set

| Technical data                |  |
|-------------------------------|--|
| Version                       | with pressure adjustment via CR shoot-bolt eccentric cap |
| Opening type                  | Turn-Only window   Dummy-mullion sash                    |
| For dummy-mullion sash groove | ST-DCN   |
| DIN side of hinges            | left   right   |
| Finish                        | grey   |
| Installation tool             | -  |
| Adjusting tool                | -  |

|  | PU | Order number   |
|--|----|----------------|
|  | 10 | K-15817-00-0-1 |

## Individual components

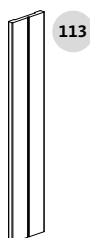
Hardware components for dummy mullion sash with central locking system in the double C groove (ST-DCN)



### ST-DCN locking rod set

| Technical data                |                    |
|-------------------------------|--------------------|
| Opening type                  | Dummy-mullion sash |
| For dummy-mullion sash groove | ST-DCN             |
| DIN side of hinges            | left   right       |
| Finish                        | EV1 silver         |
| Installation tool             | -                  |

|  | PU | Order number   |
|--|----|----------------|
|  | 10 | K-15818-00-0-1 |



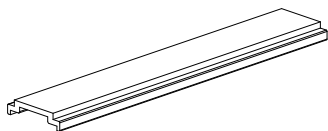
### Connecting rod profile 15/20 ST-DCN

| Technical data                |                    |
|-------------------------------|--------------------|
| Opening type                  | Dummy-mullion sash |
| For dummy-mullion sash groove | ST-DCN             |
| DIN side of hinges            | left   right       |
| Finish                        | EV1 silver         |
| Length in [mm]                | 1600               |

|  | PU | Order number   |
|--|----|----------------|
|  | 10 | 9-40859-16-0-1 |

# Individual components

## Accessories



### Connecting rod profile 15/20

| Technical data     |   |
|--------------------|---|
| Opening type       | Tilt&Turn window   Tilt-First window   Turn-Only window   Tilt-Only window   Dummy-mullion sash |
| DIN side of hinges | left   right  |
| Finish             | EV1 silver  |
| Length in [mm]     | 6000  |

|  | PU | Order number   |
|--|----|----------------|
|  | 10 | P-01975-60-0-1 |



190

### Adapter ring Ø6 to Ø10

| Technical data     |   |
|--------------------|---|
| Opening type       | Tilt&Turn window   Tilt-First window   Turn-Only window   Tilt-Only window   Dummy-mullion sash |
| DIN side of hinges | left   right  |
| Finish             | black   |
| Diameter of [mm]   | 6   |
| Diameter [mm]      | 10  |
| Installation tool  | -   |

|  | PU  | Order number   |
|--|-----|----------------|
|  | 100 | 9-48454-00-0-6 |





## ALU-JET 510 up to 100 kg sash weight

|                       |     |
|-----------------------|-----|
| Tilt&Turn window      | 94  |
| Tilt-First window     | 96  |
| Turn-Only window      | 98  |
| Individual components | 100 |

## ALU-JET 710 up to 130 kg sash weight

|                       |     |
|-----------------------|-----|
| Tilt&Turn window      | 104 |
| Tilt-First window     | 106 |
| Turn-Only window      | 108 |
| Tilt-Only window      | 110 |
| Individual components | 112 |

## ALU-JET 10 axial hinges

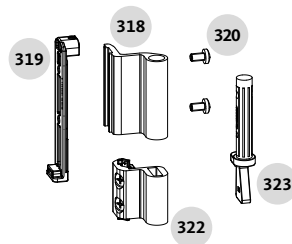
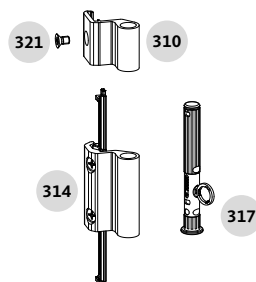
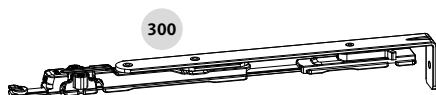
|                                     |     |
|-------------------------------------|-----|
| Turn-Only window / Tilt-Only window | 116 |
|-------------------------------------|-----|

## ALU-JET S800 up to 300 kg sash weight

|                                     |     |
|-------------------------------------|-----|
| Turn-Only window                    | 118 |
| Turn-Only window / Tilt-Only window | 119 |

# ALU-JET 510 up to 100 kg sash weight

Tilt&Turn window



## ALU-JET 510 up to 100 kg sash weight

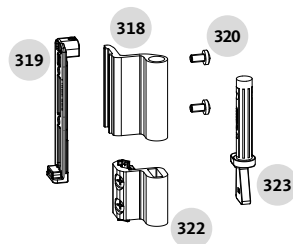
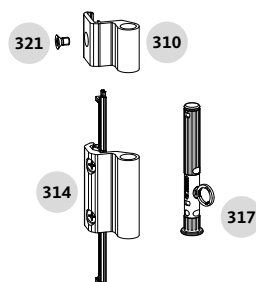
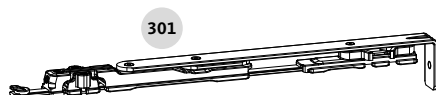
Tilt&amp;Turn window



| Item | Description                           | Piece(s)                            | PU | Qty. in K-set | Order number |                |
|------|---------------------------------------|-------------------------------------|----|---------------|--------------|----------------|
|      |                                       | SH<br>500-2400                      |    |               |              |                |
| 300  | T&T stay                              | SW 395-700                          | 1  | 10            | -            | 6-39295-00-0-1 |
|      |                                       | SW 701-1600                         | 1  | 10            | -            | 6-39296-00-0-1 |
|      | Hinge-side set                        | Frame groove<br>10/14, 12/15, 14/18 | 1  | 10            | -            | K-19477-00-0-1 |
| 310  | Stay-hinge                            |                                     | 1  | -             | 1            | 6-39370-00-0-1 |
| 314  | Stay-bearing                          |                                     | 1  | -             | 1            | 6-39369-00-0-1 |
| 317  | Stay-bearing pin                      |                                     | 1  | -             | 1            | 9-50631-00-0-6 |
| 318  | Corner hinge                          |                                     | 1  | -             | 1            | 9-50620-00-0-1 |
| 319  | Clamping bracket                      |                                     | 1  | -             | 1            | 6-39368-00-0-1 |
| 320  | Pan-head screw with cross recess M5x9 |                                     | 2  | -             | 2            | 9-13877-09-R-8 |
| 321  | Countersunk screw M5x8                |                                     | 1  | -             | 1            | 9-13878-08-R-8 |
| 322  | Pivot-rest                            |                                     | 1  | -             | 1            | 6-39367-00-0-1 |
| 323  | Pivot-rest pin                        |                                     | 1  | -             | 1            | 9-50621-00-0-6 |

# ALU-JET 510 up to 100 kg sash weight

Tilt-First window





## ALU-JET 510 up to 100 kg sash weight

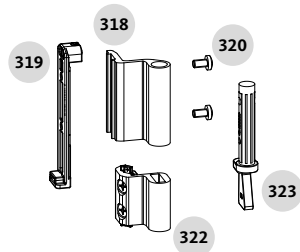
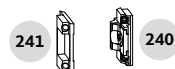
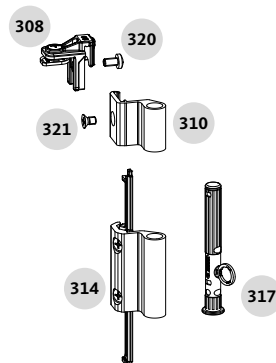
Tilt-First window



| Item | Description                           | Piece(s)                                    | PU       | Qty. in K-set | Order number |                       |
|------|---------------------------------------|---|----------|---------------|--------------|-----------------------|
|      |                                       | SH<br>500-2400                              |          |               |              |                       |
| 301  | TF stay                               | SW 395-700                                  | 1        | 10            | -            | 6-39297-00-0-1        |
|      |                                       | SW 701-1600                                 | 1        | 10            | -            | 6-39298-00-0-1        |
|      | <b>Hinge-side set</b>                 | <b>Frame groove<br/>10/14, 12/15, 14/18</b> | <b>1</b> | <b>10</b>     | <b>-</b>     | <b>K-19477-00-0-1</b> |
| 310  | Stay-hinge                            |   | 1        | -             | 1            | 6-39370-00-0-1        |
| 314  | Stay-bearing                          |   | 1        | -             | 1            | 6-39369-00-0-1        |
| 317  | Stay-bearing pin                      |   | 1        | -             | 1            | 9-50631-00-0-6        |
| 318  | Corner hinge                          |   | 1        | -             | 1            | 9-50620-00-0-1        |
| 319  | Clamping bracket                      |   | 1        | -             | 1            | 6-39368-00-0-1        |
| 320  | Pan-head screw with cross recess M5x9 |   | 2        | -             | 2            | 9-13877-09-R-8        |
| 321  | Countersunk screw M5x8                |   | 1        | -             | 1            | 9-13878-08-R-8        |
| 322  | Pivot-rest                            |   | 1        | -             | 1            | 6-39367-00-0-1        |
| 323  | Pivot-rest pin                        |   | 1        | -             | 1            | 9-50621-00-0-6        |

# ALU-JET 510 up to 100 kg sash weight

Turn-Only window



# ALU-JET 510 up to 100 kg sash weight

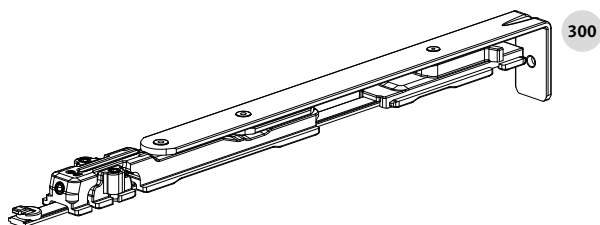
## Turn-Only window



| Item | Description                           | Piece(s)                                |              |              | PU       | Qty. in K-set | Order number   |           |          |                       |
|------|---------------------------------------|---|--------------|--------------|----------|---------------|----------------|-----------|----------|-----------------------|
|      |                                       | SH 280-1200                             | SH 1201-2200 | SH 2201-2400 |          |               |                |           |          |                       |
|      | <b>TU-ON sash part set</b>            | <b>SW 200-1600</b>                      |              |              | <b>1</b> | <b>1</b>      | <b>1</b>       | <b>10</b> | <b>-</b> | <b>K-19785-00-0-1</b> |
| 308  | TU-ON sash part                       | 1                                       | 1            | 1            | -        | 1             | 6-39299-00-0-1 |           |          |                       |
| 320  | Pan-head screw with cross recess M5x9 | 1                                       | 1            | 1            | -        | 1             | 9-13877-09-R-8 |           |          |                       |
|      | <b>Hinge-side set</b>                 | <b>Frame groove 10/14, 12/15, 14/18</b> |              |              | <b>1</b> | <b>1</b>      | <b>1</b>       | <b>10</b> | <b>-</b> | <b>K-19477-00-0-1</b> |
| 310  | Stay-hinge                            | 1                                       | 1            | 1            | -        | 1             | 6-39370-00-0-1 |           |          |                       |
| 314  | Stay-bearing                          | 1                                       | 1            | 1            | -        | 1             | 6-39369-00-0-1 |           |          |                       |
| 317  | Stay-bearing pin                      | 1                                       | 1            | 1            | -        | 1             | 9-50631-00-0-6 |           |          |                       |
| 318  | Corner-hinge                          | 1                                       | 1            | 1            | -        | 1             | 9-50620-00-0-1 |           |          |                       |
| 319  | Clamping bracket                      | 1                                       | 1            | 1            | -        | 1             | 6-39368-00-0-1 |           |          |                       |
| 320  | Pan-head screw with cross recess M5x9 | 2                                       | 2            | 2            | -        | 2             | 9-13877-09-R-8 |           |          |                       |
| 321  | Countersunk screw M5x8                | 1                                       | 1            | 1            | -        | 1             | 9-13878-08-R-8 |           |          |                       |
| 322  | Pivot-rest                            | 1                                       | 1            | 1            | -        | 1             | 6-39367-00-0-1 |           |          |                       |
| 323  | Pivot-rest pin                        | 1                                       | 1            | 1            | -        | 1             | 9-50621-00-0-6 |           |          |                       |
|      | <b>Centre-closer set 10/14</b>        | <b>Frame groove 10/14</b>               |              |              | <b>-</b> | <b>1</b>      | <b>2</b>       | <b>10</b> | <b>-</b> | <b>G-13527-00-0-1</b> |
|      | <b>Centre-closer set 14/18</b>        | <b>Frame groove 14/18</b>               |              |              | <b>-</b> | <b>1</b>      | <b>2</b>       | <b>10</b> | <b>-</b> | <b>G-13529-00-0-1</b> |
| 240  | Centre-closer, frame part             | Frame groove 10/14                      |              |              | -        | 1             | 2              | -         | 1        | G-13451-00-0-1        |
|      |                                       | Frame groove 14/18                      |              |              | -        | 1             | 2              | -         | 1        | G-13452-00-0-1        |
| 241  | Centre-closer, sash part              | -                                       | 1            | 2            | -        | 1             | G-13450-00-0-1 |           |          |                       |

# ALU-JET 510 up to 100 kg sash weight

## Individual components

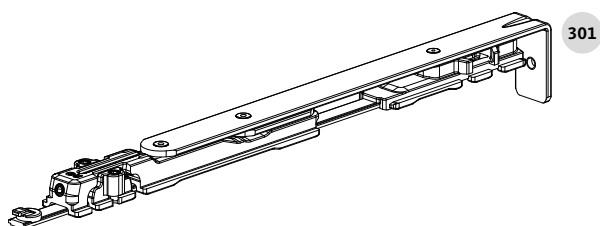


### T&T stay

| Technical data        |                                     |
|-----------------------|-------------------------------------|
| Hinge-side type       | surface-mounted                     |
| Opening type          | Tilt&Turn window                    |
| DIN side of hinges    | left   right                        |
| Finish                | ferGUard*silver                     |
| Max. sash weight [kg] | 100                                 |
| Opening angle [°]     | 180                                 |
| Installation tool     | Hexagon socket size 4   Philips PH2 |
| Adjusting tool        | Hexagon socket size 4               |

| Min. sash width [mm] | Max. sash width [mm] | PU | Order number   |
|----------------------|----------------------|----|----------------|
| 395                  | 700                  | 10 | 6-39295-00-0-1 |
| 701                  | 1600 *               | 10 | 6-39296-00-0-1 |

\* Sash width 1351–1600 mm with additional stay K-19013, see Chapter Central locking systems

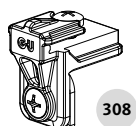


### TF stay

| Technical data        |                                     |
|-----------------------|-------------------------------------|
| Hinge-side type       | surface-mounted                     |
| Opening type          | Tilt-First window                   |
| DIN side of hinges    | left   right                        |
| Finish                | ferGUard*silver                     |
| Max. sash weight [kg] | 100                                 |
| Opening angle [°]     | 180                                 |
| Installation tool     | Hexagon socket size 4   Philips PH2 |
| Adjusting tool        | Hexagon socket size 4               |

| Min. sash width [mm] | Max. sash width [mm] | PU | Order number   |
|----------------------|----------------------|----|----------------|
| 395                  | 700                  | 10 | 6-39297-00-0-1 |
| 701                  | 1600 *               | 10 | 6-39298-00-0-1 |

\* Sash width 1351–1600 mm with additional stay K-19013, see Chapter Central locking systems



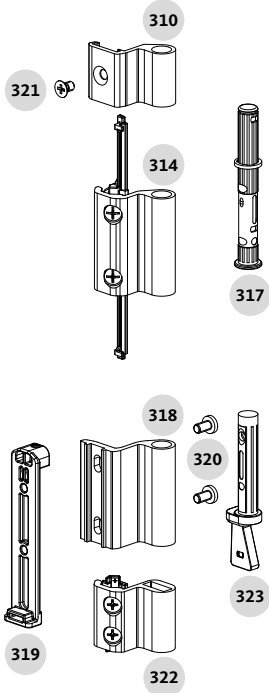
### TU-ON sash part set

| Technical data        |                                       |
|-----------------------|---------------------------------------|
| Hinge-side type       | surface-mounted                       |
| Opening type          | Turn-Only window   Dummy-mullion sash |
| DIN side of hinges    | left   right                          |
| Finish                | ferGUard*silver                       |
| Max. sash weight [kg] | 100                                   |
| Opening angle [°]     | 180                                   |
| Installation tool     | Hexagon socket size 4   Philips PH2   |
| Adjusting tool        | Hexagon socket size 4                 |

| PU | Order number   |
|----|----------------|
| 10 | K-19785-00-0-1 |

# ALU-JET 510 up to 100 kg sash weight

## Individual components



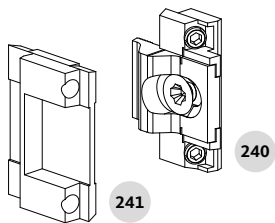
### Hinge-side set

| Technical data          |  |
|-------------------------|--|
| Hinge-side type         | surface-mounted  |
| Opening type            | Tilt&Turn window   Tilt-First window   Turn-Only window   Dummy-mullion sash |
| DIN side of hinges      | left   right   |
| Max. sash weight [kg]   | 100  |
| Opening angle [°]       | 180  |
| Frame groove [mm]       | 10/14   12/15   14/18  |
| Min. hinge-passage [mm] | 3.5  |
| Type of fixing          | clampable  |
| Installation tool       | Hexagon socket size 2.5   Philips PH2  |

| Finish        | PU | Order number   |
|---------------|----|----------------|
| untreated     | 10 | K-19477-00-0-0 |
| EV1 silver    | 10 | K-19477-00-0-1 |
| black         | 10 | K-19477-00-0-6 |
| traffic white | 10 | K-19477-00-0-7 |

# ALU-JET 510 up to 100 kg sash weight

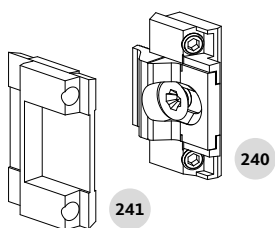
## Individual components



### Centre-closer set 10/14

| Technical data     |                                       |
|--------------------|---------------------------------------|
| Hinge-side type    | surface-mounted                       |
| Opening type       | Turn-Only window   Dummy-mullion sash |
| DIN side of hinges | left   right                          |
| Finish             | ferGUard*silver                       |
| Frame groove [mm]  | 10/14                                 |
| Installation tool  | Hexagon socket size 2.5               |
| Adjusting tool     | Philips PH2                           |

|  | PU | Order number   |
|--|----|----------------|
|  | 10 | G-13527-00-0-1 |



### Centre-closer set 14/18

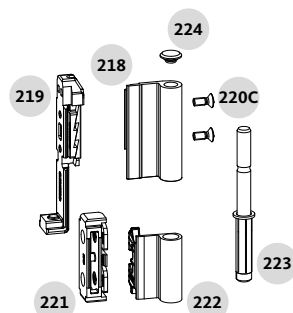
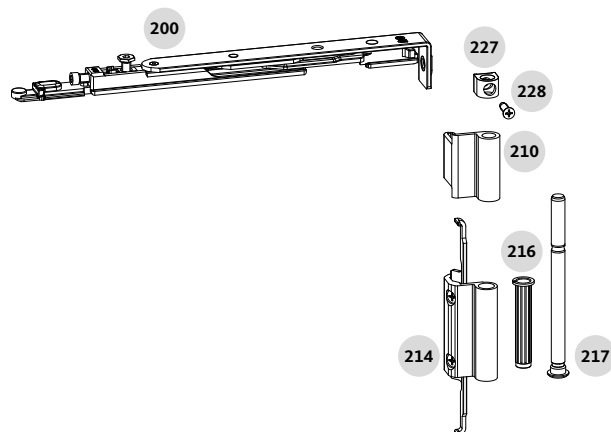
| Technical data     |                                       |
|--------------------|---------------------------------------|
| Hinge-side type    | surface-mounted                       |
| Opening type       | Turn-Only window   Dummy-mullion sash |
| DIN side of hinges | left   right                          |
| Finish             | ferGUard*silver                       |
| Frame groove [mm]  | 14/18                                 |
| Installation tool  | Hexagon socket size 2.5               |
| Adjusting tool     | Philips PH2                           |

|  | PU | Order number   |
|--|----|----------------|
|  | 10 | G-13529-00-0-1 |



# ALU-JET 710 up to 130 kg sash weight

Tilt&Turn window





## ALU-JET 710 up to 130 kg sash weight

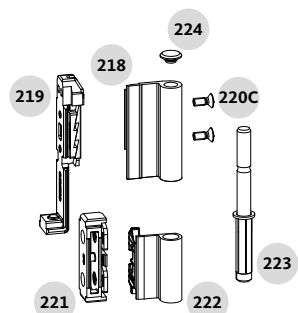
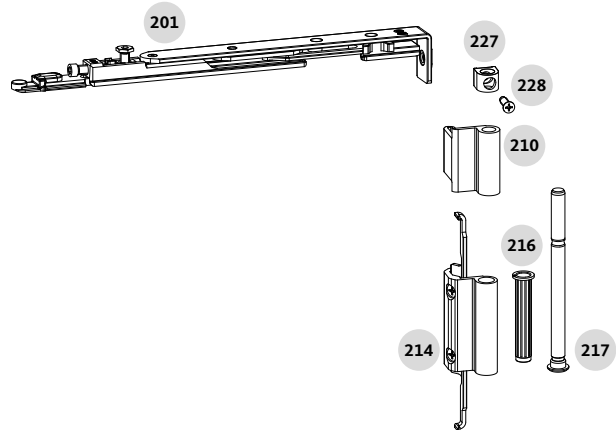
Tilt&amp;Turn window



| Item | Description             | Piece(s)           | PU | Qty. in K-set | Order number |                |
|------|-------------------------|--------------------|----|---------------|--------------|----------------|
|      |                         | SH<br>500-2800     |    |               |              |                |
| 200  | T&T stay                | SW 410-700         | 1  | 10            | -            | K-20886-00-0-1 |
|      |                         | SW 701-1700        | 1  | 10            | -            | K-20887-00-0-1 |
|      | Hinge-side set 10/14    | Frame groove 10/14 | 1  | 10            | -            | K-20561-00-0-1 |
|      | Hinge-side set 12/15    | Frame groove 12/15 | 1  | 10            | -            | K-20559-00-0-1 |
|      | Hinge-side set 14/18    | Frame groove 14/18 | 1  | 10            | -            | K-20560-00-0-1 |
| 210  | Stay-hinge              |                    | 1  | -             | 1            | 6-31088-00-0-1 |
| 214  | Stay-bearing            |                    | 1  | -             | 1            | 6-31591-18-0-1 |
| 216  | Bearing bush            |                    | 1  | -             | 1            | 9-39805-00-0-6 |
| 217  | Stay-bearing pin        |                    | 1  | -             | 1            | 6-40695-00-0-6 |
| 218  | Corner-hinge            |                    | 1  | -             | 1            | 6-31073-00-0-1 |
| 219  | Clamping bracket        |                    | 1  | -             | 1            | 6-30873-00-0-1 |
| 220C | Countersunk screw M5x14 |                    | 2  | -             | 2            | 9-13489-14-R-8 |
| 221  | Pivot-rest casing       | Frame groove 10/14 | 1  | -             | 1            | 6-32055-00-0-1 |
|      |                         | Frame groove 12/15 | 1  | -             | 1            | 6-32056-00-0-1 |
|      |                         | Frame groove 14/18 | 1  | -             | 1            | 6-30872-00-0-1 |
| 222  | Pivot-rest              |                    | 1  | -             | 1            | 9-39812-00-0-1 |
| 223  | Pivot-rest pin          |                    | 1  | -             | 1            | 6-31087-00-0-6 |
| 224  | Cover cap               |                    | 1  | -             | 1            | 9-39807-00-0-6 |
| 227  | Stay-bearing support    |                    | 1  | -             | 1            | 9-41710-00-0-1 |
| 228  | Countersunk screw M5x16 |                    | 1  | -             | 1            | 9-33841-16-R-8 |

# ALU-JET 710 up to 130 kg sash weight

Tilt-First window



## ALU-JET 710 up to 130 kg sash weight

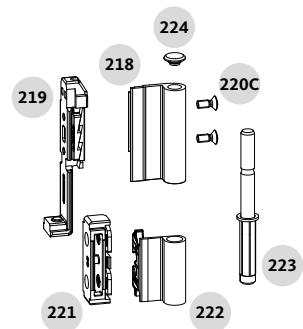
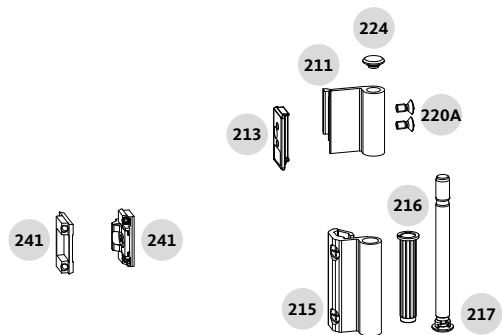
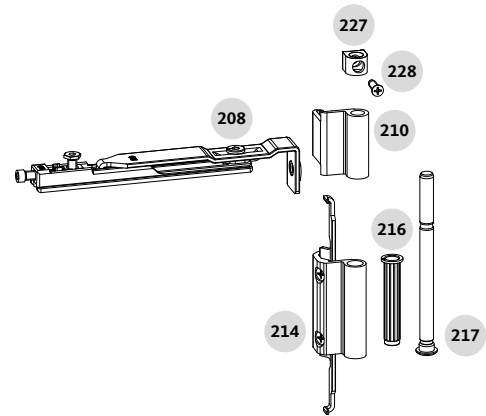
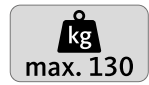
## Tilt-First window



| Item | Description             | Piece(s)           | PU | Qty. in K-set | Order number |                |
|------|-------------------------|--------------------|----|---------------|--------------|----------------|
|      |                         | SH<br>500-2800     |    |               |              |                |
| 201  | TF stay                 | SW 410-700         | 1  | 10            | -            | K-20888-00-0-1 |
|      |                         | SW 701-1700        | 1  | 10            | -            | K-20889-00-0-1 |
|      | Hinge-side set 10/14    | Frame groove 10/14 | 1  | 10            | -            | K-20561-00-0-1 |
|      | Hinge-side set 12/15    | Frame groove 12/15 | 1  | 10            | -            | K-20559-00-0-1 |
|      | Hinge-side set 14/18    | Frame groove 14/18 | 1  | 10            | -            | K-20560-00-0-1 |
| 210  | Stay-hinge              |                    | 1  | -             | 1            | 6-31088-00-0-1 |
| 214  | Stay-bearing            |                    | 1  | -             | 1            | 6-31591-18-0-1 |
| 216  | Bearing bush            |                    | 1  | -             | 1            | 9-39805-00-0-6 |
| 217  | Stay-bearing pin        |                    | 1  | -             | 1            | 6-40695-00-0-6 |
| 218  | Corner-hinge            |                    | 1  | -             | 1            | 6-31073-00-0-1 |
| 219  | Clamping bracket        |                    | 1  | -             | 1            | 6-30873-00-0-1 |
| 220C | Countersunk screw M5x14 |                    | 2  | -             | 2            | 9-13489-14-R-8 |
| 221  | Pivot-rest casing       | Frame groove 10/14 | 1  | -             | 1            | 6-32055-00-0-1 |
|      |                         | Frame groove 12/15 | 1  | -             | 1            | 6-32056-00-0-1 |
|      |                         | Frame groove 14/18 | 1  | -             | 1            | 6-30872-00-0-1 |
| 222  | Pivot-rest              |                    | 1  | -             | 1            | 9-39812-00-0-1 |
| 223  | Pivot-rest pin          |                    | 1  | -             | 1            | 6-31087-00-0-6 |
| 224  | Cover cap               |                    | 1  | -             | 1            | 9-39807-00-0-6 |
| 227  | Stay-bearing support    |                    | 1  | -             | 1            | 9-41710-00-0-1 |
| 228  | Countersunk screw M5x16 |                    | 1  | -             | 1            | 9-33841-16-R-8 |

# ALU-JET 710 up to 130 kg sash weight

Turn-Only window



## ALU-JET 710 up to 130 kg sash weight

## Turn-Only window



| Item | Description | Piece(s)    |              |              | PU | Qty. in K-set | Order number |
|------|-------------|-------------|--------------|--------------|----|---------------|--------------|
|      |             | SH 280-1200 | SH 1201-2200 | SH 2201-2800 |    |               |              |

|     |                    |             |   |   |   |    |   |                |
|-----|--------------------|-------------|---|---|---|----|---|----------------|
| 208 | Turn-Only stay-arm | SW 220-1700 | 1 | 1 | 1 | 10 | - | 6-40822-00-0-1 |
|-----|--------------------|-------------|---|---|---|----|---|----------------|

|      | Hinge-side set 10/14    | Frame groove 10/14 | 1 | 1 | 1 | 10 | - | K-20561-00-0-1 |
|------|-------------------------|--------------------|---|---|---|----|---|----------------|
|      | Hinge-side set 12/15    | Frame groove 12/15 | 1 | 1 | 1 | 10 | - | K-20559-00-0-1 |
|      | Hinge-side set 14/18    | Frame groove 14/18 | 1 | 1 | 1 | 10 | - | K-20560-00-0-1 |
| 210  | Stay-hinge              |                    | 1 | 1 | 1 | -  | 1 | 6-31088-00-0-1 |
| 214  | Stay-bearing            |                    | 1 | 1 | 1 | -  | 1 | 6-31591-18-0-1 |
| 216  | Bearing bush            |                    | 1 | 1 | 1 | -  | 1 | 9-39805-00-0-6 |
| 217  | Stay-bearing pin        |                    | 1 | 1 | 1 | -  | 1 | 6-40695-00-0-6 |
| 218  | Corner-hinge            |                    | 1 | 1 | 1 | -  | 1 | 6-31073-00-0-1 |
| 219  | Clamping bracket        |                    | 1 | 1 | 1 | -  | 1 | 6-30873-00-0-1 |
| 220C | Countersunk screw M5x14 |                    | 2 | 2 | 2 | -  | 2 | 9-13489-14-R-8 |
| 221  | Pivot-rest casing       | Frame groove 10/14 | 1 | 1 | 1 | -  | 1 | 6-32055-00-0-1 |
|      |                         | Frame groove 12/15 | 1 | 1 | 1 | -  | 1 | 6-32056-00-0-1 |
|      |                         | Frame groove 14/18 | 1 | 1 | 1 | -  | 1 | 6-30872-00-0-1 |
| 222  | Pivot-rest              |                    | 1 | 1 | 1 | -  | 1 | 9-39812-00-0-1 |
| 223  | Pivot-rest pin          |                    | 1 | 1 | 1 | -  | 1 | 6-31087-00-0-6 |
| 224  | Cover cap               |                    | 1 | 1 | 1 | -  | 2 | 9-39807-00-0-6 |
| 227  | Stay-bearing support    |                    | 1 | 1 | 1 | -  | 1 | 9-41710-00-0-1 |
| 228  | Countersunk screw M5x16 |                    | 1 | 1 | 1 | -  | 1 | 9-33841-16-R-8 |

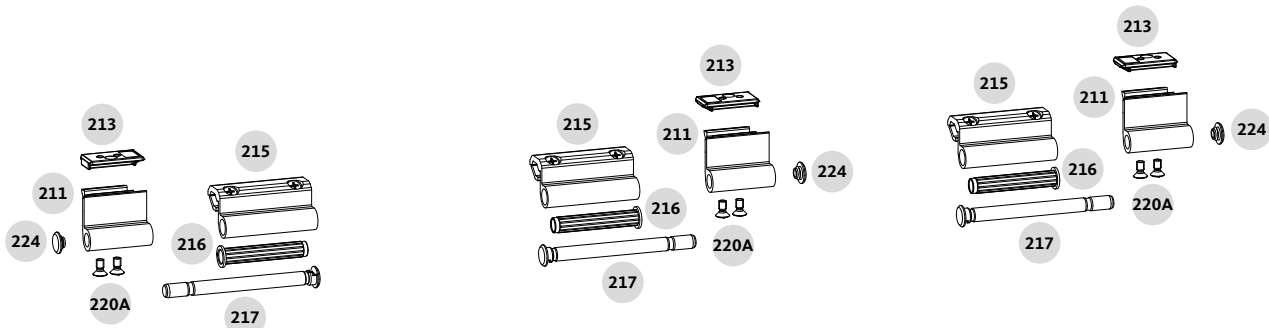
|     | Centre-closer set 10/14   | Frame groove 10/14 | - | 1 | 2 | 10 | - | G-13527-00-0-1 |
|-----|---------------------------|--------------------|---|---|---|----|---|----------------|
|     | Centre-closer set 14/18   | Frame groove 14/18 | - | 1 | 2 | 10 | - | G-13529-00-0-1 |
| 240 | Centre-closer, frame part | Frame groove 10/14 | - | 1 | 2 | -  | 1 | G-13451-00-0-1 |
|     |                           | Frame groove 14/18 | - | 1 | 2 | -  | 1 | G-13452-00-0-1 |
| 241 | Centre-closer, sash part  |                    | - | 1 | 2 | -  | 1 | G-13450-00-0-1 |

## Alternative to item 240 and item 241

|      | Centre-closer set       | Frame groove 10/14, 12/15, 14/18 | - | 1 | 2 | 10 | - | K-16897-00-0-1 |
|------|-------------------------|----------------------------------|---|---|---|----|---|----------------|
| 211  | Turn-Only hinge         |                                  | - | 1 | 2 | -  | 1 | 6-32249-00-0-1 |
| 213  | Clamping plate          |                                  | - | 1 | 2 | -  | 1 | 9-42376-02-0-1 |
| 215  | Corner-hinge            |                                  | - | 1 | 2 | -  | 1 | 6-33727-18-0-1 |
| 216  | Bearing bush            |                                  | - | 1 | 2 | -  | 1 | 9-39805-00-0-6 |
| 217  | Stay-bearing pin        |                                  | - | 1 | 2 | -  | 1 | 6-30874-00-0-6 |
| 220A | Countersunk screw M5x10 |                                  | - | 2 | 4 | -  | 2 | 9-13489-10-R-8 |
| 224  | Cover cap               |                                  | - | 1 | 2 | -  | 1 | 9-39807-00-0-6 |

# ALU-JET 710 up to 80 kg sash weight

Tilt-Only window



# ALU-JET 710 up to 80 kg sash weight

## Tilt-Only window

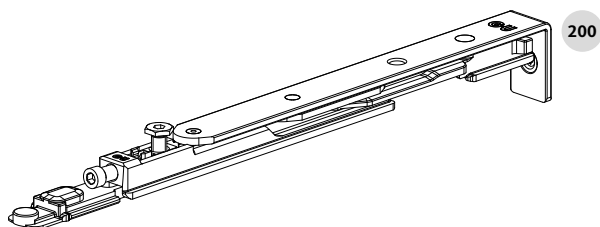


| Item | Description | Piece(s)          |                    |                     | PU | Qty. in K-set | Order number |
|------|-------------|-------------------|--------------------|---------------------|----|---------------|--------------|
|      |             | SH 280-1200       |                    |                     |    |               |              |
|      |             | SW<br>350-<br>400 | SW<br>401-<br>1200 | SH<br>1201-<br>2400 |    |               |              |

|      |                          |                                     |   |   |   |    |   |                       |
|------|--------------------------|-------------------------------------|---|---|---|----|---|-----------------------|
|      | <b>Centre-closer set</b> | Frame groove<br>10/14, 12/15, 14/18 | 2 | 2 | 3 | 10 | - | <b>K-16897-00-0-1</b> |
| 211  | Side-Hung hinge          |                                     | 2 | 2 | 3 | -  | 1 | 6-32249-00-0-1        |
| 213  | Clamping plate           |                                     | 2 | 2 | 3 | -  | 1 | 9-42376-02-0-1        |
| 215  | Corner-hinge             |                                     | 2 | 2 | 3 | -  | 1 | 6-33727-18-0-1        |
| 216  | Bearing bush             |                                     | 2 | 2 | 3 | -  | 1 | 9-39805-00-0-6        |
| 217  | Stay-bearing pin         |                                     | 2 | 2 | 3 | -  | 1 | 6-30874-00-0-6        |
| 220A | Countersunk screw M5x10  |                                     | 4 | 4 | 6 | -  | 2 | 9-13489-10-R-8        |
| 224  | Cover cap                |                                     | 2 | 2 | 3 | -  | 1 | 9-39807-00-0-6        |

# ALU-JET 710 up to 130 kg sash weight

## Individual components

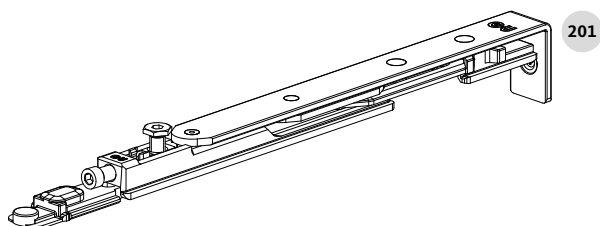


### T&T stay

| Technical data        |                                     |
|-----------------------|-------------------------------------|
| Hinge-side type       | surface-mounted                     |
| Opening type          | Tilt&Turn window                    |
| DIN side of hinges    | left   right                        |
| Finish                | ferGUard*silver                     |
| Max. sash weight [kg] | 130                                 |
| Opening angle [°]     | 180                                 |
| Installation tool     | Hexagon socket size 4   Philips PH2 |
| Adjusting tool        | Hexagon socket size 4               |

| Min. sash width [mm] | Max. sash width [mm] | PU | Order number   |
|----------------------|----------------------|----|----------------|
| 410                  | 700                  | 10 | K-20886-00-0-1 |
| 701                  | 1700 *               | 10 | K-20887-00-0-1 |

\* Sash width 1351–1700 mm with additional stay K-19013, see Chapter Central locking systems

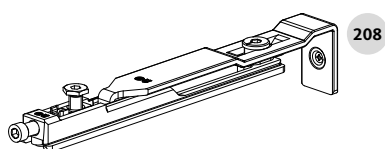


### TF stay

| Technical data        |                                     |
|-----------------------|-------------------------------------|
| Hinge-side type       | surface-mounted                     |
| Opening type          | Tilt-First window                   |
| DIN side of hinges    | left   right                        |
| Finish                | ferGUard*silver                     |
| Max. sash weight [kg] | 130                                 |
| Opening angle [°]     | 180                                 |
| Installation tool     | Hexagon socket size 4   Philips PH2 |
| Adjusting tool        | Hexagon socket size 4               |

| Min. sash width [mm] | Max. sash width [mm] | PU | Order number   |
|----------------------|----------------------|----|----------------|
| 410                  | 700                  | 10 | K-20888-00-0-1 |
| 701                  | 1700 *               | 10 | K-20889-00-0-1 |

\* Sash width 1351–1700 mm with additional stay K-19013, see Chapter Central locking systems



### Turn-Only stay-arm

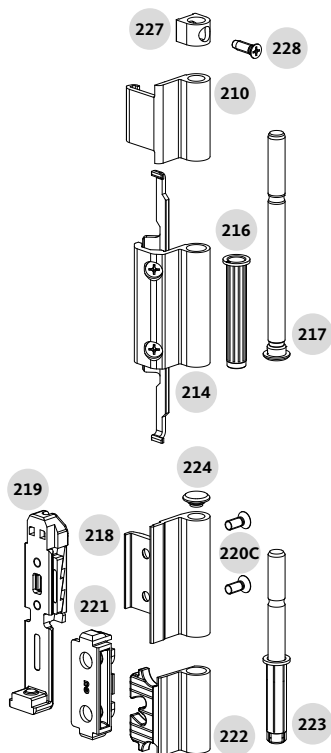
| Technical data        |                                       |
|-----------------------|---------------------------------------|
| Hinge-side type       | surface-mounted                       |
| Opening type          | Turn-Only window   Dummy-mullion sash |
| DIN side of hinges    | left   right                          |
| Finish                | ferGUard*silver                       |
| Max. sash weight [kg] | 130                                   |
| Opening angle [°]     | 180                                   |
| Installation tool     | Hexagon socket size 4   Philips PH2   |
| Adjusting tool        | Hexagon socket size 4                 |

| PU | Order number   |
|----|----------------|
| 10 | 6-40822-00-0-1 |



# ALU-JET 710 up to 130 kg sash weight

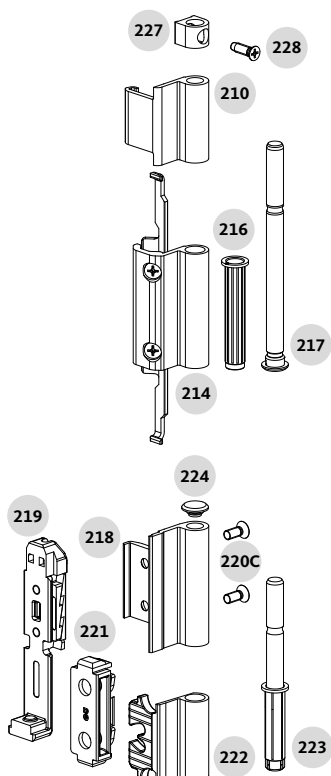
## Individual components



### Hinge-side set 10/14

| Technical data          |  |
|-------------------------|--|
| Hinge-side type         | surface-mounted  |
| Opening type            | Tilt&Turn window   Tilt-First window   Turn-Only window   Dummy-mullion sash |
| DIN side of hinges      | left   right   |
| Max. sash weight [kg]   | 130  |
| Opening angle [°]       | 180  |
| Frame groove [mm]       | 10/14  |
| Min. hinge-passage [mm] | 3  |
| Type of fixing          | clampable  |
| Installation tool       | Hexagon socket size 2.5   Philips PH2  |

| Finish        | PU | Order number   |
|---------------|----|----------------|
| EV1 silver    | 10 | K-20561-00-0-1 |
| black         | 10 | K-20561-00-0-6 |
| traffic white | 10 | K-20561-00-0-7 |



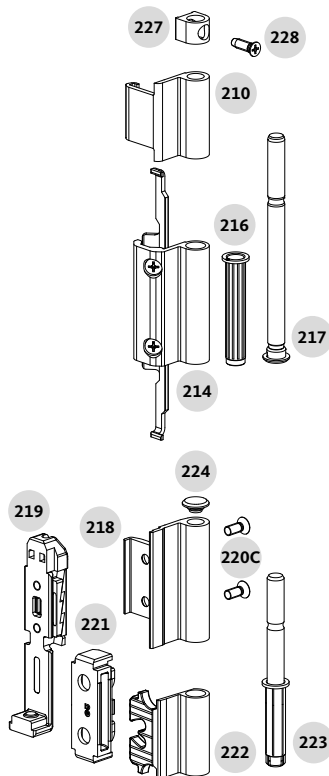
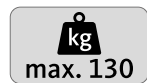
### Hinge-side set 12/15

| Technical data          |  |
|-------------------------|--|
| Hinge-side type         | surface-mounted  |
| Opening type            | Tilt&Turn window   Tilt-First window   Turn-Only window   Dummy-mullion sash |
| DIN side of hinges      | left   right   |
| Max. sash weight [kg]   | 130  |
| Opening angle [°]       | 180  |
| Frame groove [mm]       | 12/15  |
| Min. hinge-passage [mm] | 3  |
| Type of fixing          | clampable  |
| Installation tool       | Hexagon socket size 2.5   Philips PH2  |

| Finish        | PU | Order number   |
|---------------|----|----------------|
| EV1 silver    | 10 | K-20559-00-0-1 |
| black         | 10 | K-20559-00-0-6 |
| traffic white | 10 | K-20559-00-0-7 |

# ALU-JET 710 up to 130 kg sash weight

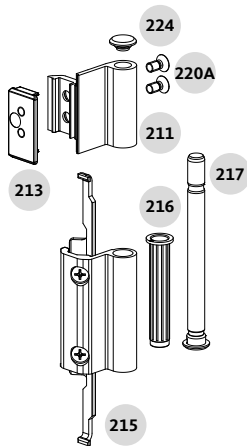
## Individual components



### Hinge-side set 14/18

| Technical data          |  |
|-------------------------|--|
| Hinge-side type         | surface-mounted  |
| Opening type            | Tilt&Turn window   Tilt-First window   Turn-Only window   Dummy-mullion sash |
| DIN side of hinges      | left   right   |
| Max. sash weight [kg]   | 130  |
| Opening angle [°]       | 180  |
| Frame groove [mm]       | 14/18  |
| Min. hinge-passage [mm] | 3  |
| Type of fixing          | clampable  |
| Installation tool       | Hexagon socket size 2.5   Philips PH2  |

| Finish        | PU | Order number   |
|---------------|----|----------------|
| untreated     | 10 | K-20560-00-0-0 |
| EV1 silver    | 10 | K-20560-00-0-1 |
| black         | 10 | K-20560-00-0-6 |
| traffic white | 10 | K-20560-00-0-7 |



### Centre-closer set

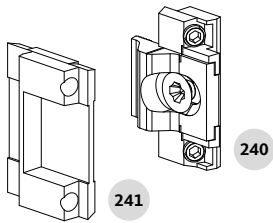
| Technical data          |  |
|-------------------------|--|
| Hinge-side type         | surface-mounted  |
| Opening type            | Turn-Only window   Tilt-Only window   Dummy-mullion sash |
| DIN side of hinges      | left   right   |
| Max. sash weight [kg]   | 130   80*  |
| Opening angle [°]       | 180  |
| Frame groove [mm]       | 10/14   12/15   14/18                                    |
| Min. hinge-passage [mm] | 3  |
| Type of fixing          | clampable  |
| Installation tool       | Hexagon socket size 2.5   Philips PH2                    |

| Finish                              | PU | Order number   |
|-------------------------------------|----|----------------|
| untreated                           | 10 | K-16897-00-0-0 |
| EV1 silver                          | 10 | K-16897-00-0-1 |
| special colour available on request | 10 | K-16897-00-0-9 |

\* With Tilt-Only windows max. 80 kg

# ALU-JET 710 up to 130 kg sash weight

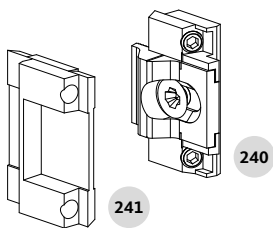
Individual components



## Centre-closer set 10/14

| Technical data     |                                       |
|--------------------|---------------------------------------|
| Hinge-side type    | surface-mounted                       |
| Opening type       | Turn-Only window   Dummy-mullion sash |
| DIN side of hinges | left   right                          |
| Finish             | ferGUard*silver                       |
| Frame groove [mm]  | 10/14                                 |
| Installation tool  | Hexagon socket size 2.5               |
| Adjusting tool     | Philips PH2                           |

|  | PU | Order number   |
|--|----|----------------|
|  | 10 | G-13527-00-0-1 |

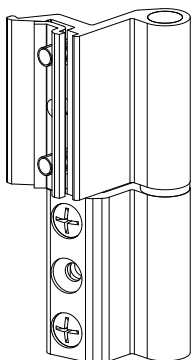


## Centre-closer set 14/18

| Technical data     |                                       |
|--------------------|---------------------------------------|
| Hinge-side type    | surface-mounted                       |
| Opening type       | Turn-Only window   Dummy-mullion sash |
| DIN side of hinges | left   right                          |
| Finish             | ferGUard*silver                       |
| Frame groove [mm]  | 14/18                                 |
| Installation tool  | Hexagon socket size 2.5               |
| Adjusting tool     | Philips PH2                           |

|  | PU | Order number   |
|--|----|----------------|
|  | 10 | G-13529-00-0-1 |

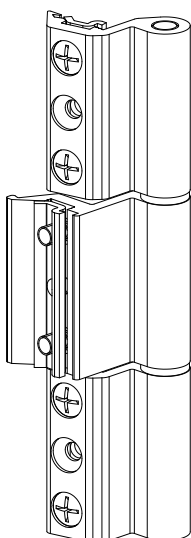
# ALU-JET 10 axial hinges



## Axial hinge, 2-part

| Technical data          |                                       |
|-------------------------|---------------------------------------|
| Hinge-side type         | surface-mounted                       |
| Opening type            | Turn-Only window   Dummy-mullion sash |
| Max. sash weight [kg]   | 80                                    |
| Opening angle [°]       | 180                                   |
| Frame groove [mm]       | 10/14   12/15   14/18                 |
| Hinge-passage min. [mm] | 3.5                                   |
| Type of fixing          | clampable                             |
| Installation tool       | Philips PH 2                          |

| DIN side of hinges | Finish        | PU | Order number   |
|--------------------|---------------|----|----------------|
| right              | EV1 silver    | 50 | G-24885-00-R-1 |
|                    | black         | 50 | G-24885-00-R-6 |
|                    | traffic white | 50 | G-24885-00-R-7 |
| left               | EV1 silver    | 50 | G-24885-00-L-1 |
|                    | black         | 50 | G-24885-00-L-6 |
|                    | traffic white | 50 | G-24885-00-L-7 |

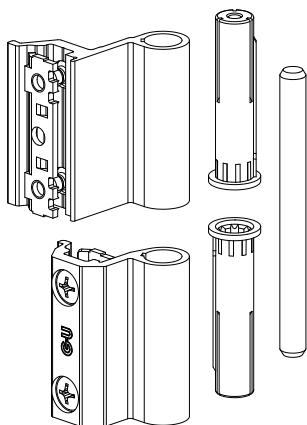


## Axial hinge, 3-part

| Technical data          |  |
|-------------------------|--|
| Hinge-side type         | surface-mounted  |
| Opening type            | Turn-Only window   Tilt-Only window   Dummy-mullion sash |
| DIN side of hinges      | left   right   |
| Max. sash weight [kg]   | 100  |
| Opening angle [°]       | 180  |
| Frame groove [mm]       | 10/14   12/15   14/18                                    |
| Hinge-passage min. [mm] | 3.5  |
| Type of fixing          | clampable  |
| Installation tool       | Philips PH 2   |

| Finish        | PU | Order number    |
|---------------|----|-----------------|
| untreated     | 50 | G-24886-00-0-0  |
| EV1 silver    | 50 | G-24886-00-0-1  |
| dark bronze   | 50 | G-24886-00-0-5  |
| black         | 50 | G-24886-00-0-6  |
| traffic white | 50 | G-24886-00-0-7  |
| white         | 50 | G-24886-00-0-7T |

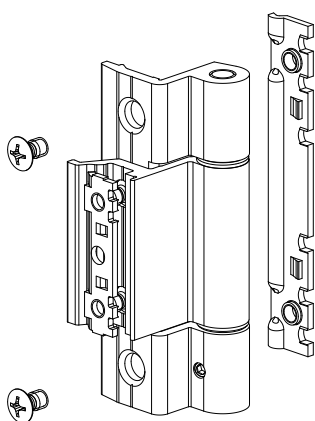
## ALU-JET 10 axial hinges



## Axial hinge, 2-part, 14/18

| Technical data          |                                       |
|-------------------------|---------------------------------------|
| Hinge-side type         | surface-mounted                       |
| Opening type            | Turn-Only window   Dummy-mullion sash |
| DIN stop                | left   right                          |
| Max. sash weight [kg]   | 75                                    |
| Opening angle [°]       | 180                                   |
| Frame groove [mm]       | 14/18                                 |
| Hinge-passage min. [mm] | 3.5                                   |
| Type of fixing          | clampable                             |
| Installation tool       | Philips PH 2                          |

| Finish        | PU | Order number   |
|---------------|----|----------------|
| untreated     | 20 | K-15820-00-0-0 |
| EV1 silver    | 20 | K-15820-00-0-1 |
| black         | 20 | K-15820-00-0-6 |
| traffic white | 20 | K-15820-00-0-7 |



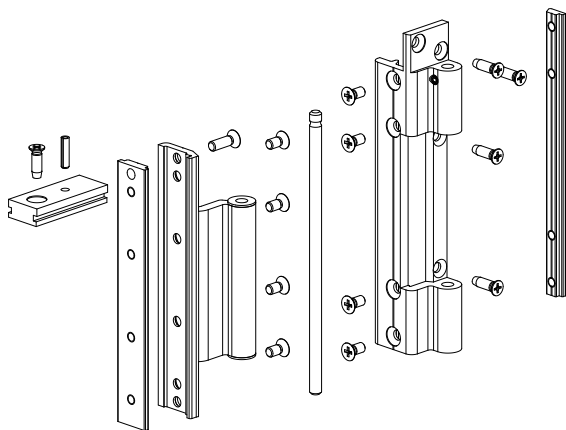
## Axial hinge, 3-part, 14/18

| Technical data          |  |
|-------------------------|--|
| Hinge-side type         | surface-mounted  |
| Opening type            | Turn-Only window   Tilt-Only window   Dummy-mullion sash |
| DIN side of hinges      | left   right   |
| Max. sash weight [kg]   | 80   |
| Opening angle [°]       | 180  |
| Frame groove [mm]       | 14/18  |
| Hinge-passage min. [mm] | 3.5  |
| Type of fixing          | clampable  |
| Installation tool       | Hexagon socket size 2.5   Philips PH2                    |

| Finish        | PU | Order number   |
|---------------|----|----------------|
| EV1 silver    | 20 | K-15887-00-0-1 |
| black         | 20 | K-15887-00-0-6 |
| traffic white | 20 | K-15887-00-0-7 |

# ALU-JET S800 up to 300 kg sash weight

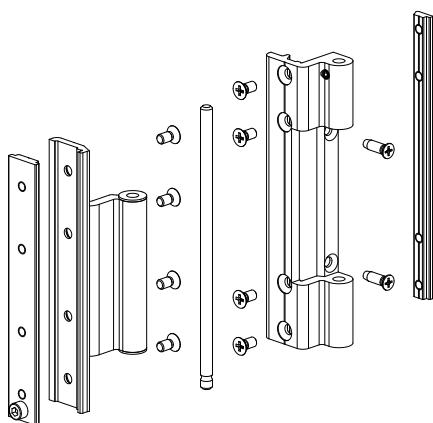
Turn-Only window



## TU-ON hinge set top

| Technical data          |                                       |
|-------------------------|---------------------------------------|
| Hinge-side type         | surface-mounted                       |
| Opening type            | Turn-Only window   Dummy-mullion sash |
| Max. sash weight [kg]   | 300                                   |
| Opening angle [°]       | 180                                   |
| Frame groove [mm]       | 10/14   12/15   14/18                 |
| Min. hinge-passage [mm] | 7                                     |
| Type of fixing          | clampable   screw-on                  |

| DIN side of hinges | Finish                              | PU | Order number   |
|--------------------|-------------------------------------|----|----------------|
| left               | EV1 silver                          | 10 | K-19240-00-L-1 |
|                    | traffic white                       | 10 | K-19240-00-L-7 |
|                    | special colour available on request | 10 | K-19240-00-L-9 |
| right              | EV1 silver                          | 10 | K-19240-00-R-1 |
|                    | traffic white                       | 10 | K-19240-00-R-7 |
|                    | special colour available on request | 10 | K-19240-00-R-9 |



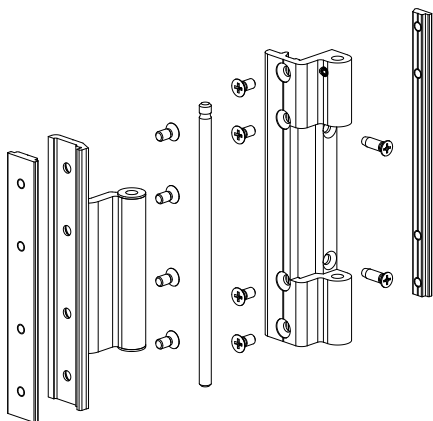
## TU-ON hinge set bottom

| Technical data          |                                       |
|-------------------------|---------------------------------------|
| Hinge-side type         | surface-mounted                       |
| Opening type            | Turn-Only window   Dummy-mullion sash |
| DIN side of hinges      | left   right                          |
| Max. sash weight [kg]   | 300                                   |
| Opening angle [°]       | 180                                   |
| Frame groove [mm]       | 10/14   12/15   14/18                 |
| Min. hinge-passage [mm] | 7                                     |
| Type of fixing          | clampable   screw-on                  |

| Finish                              | PU | Order number   |
|-------------------------------------|----|----------------|
| EV1 silver                          | 10 | K-19241-00-0-1 |
| traffic white                       | 10 | K-19241-00-0-7 |
| special colour available on request | 10 | K-19241-00-0-9 |

# ALU-JET S800 up to 300 kg sash weight

Turn-Only window / Tilt-Only window



## TU-ON centre-hinge set

| Technical data          |  |
|-------------------------|--|
| Hinge-side type         | surface-mounted  |
| Opening type            | Turn-Only window   Tilt-Only window   Dummy-mullion sash |
| DIN side of hinges      | left   right   |
| Max. sash weight [kg]   | 300  |
| Opening angle [°]       | 180  |
| Frame groove [mm]       | 10/14   12/15   14/18                                    |
| Min. hinge-passage [mm] | 7  |
| Type of fixing          | clampable   screw-on                                     |

| Finish                              | PU | Order number   |
|-------------------------------------|----|----------------|
| EV1 silver                          | 10 | K-19242-00-0-1 |
| traffic white                       | 10 | K-19242-00-0-7 |
| special colour available on request | 10 | K-19242-00-0-9 |







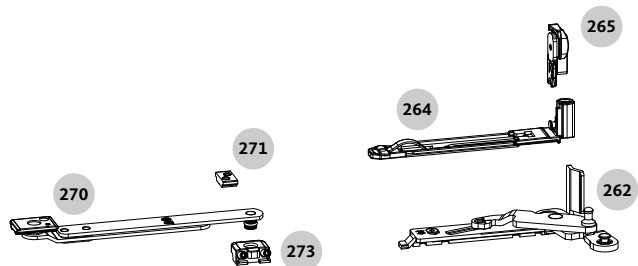
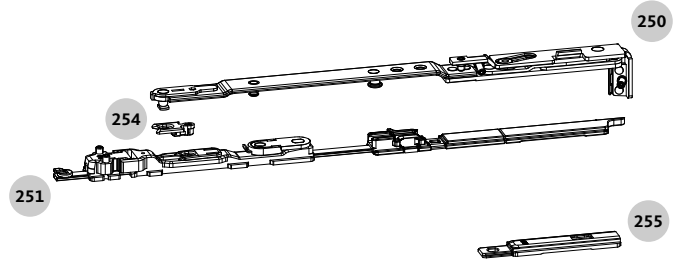
## ALU-JET CC610 up to 150 kg sash weight

|                                      |     |
|--------------------------------------|-----|
| Tilt&Turn window / Tilt-First window | 122 |
| Turn-Only window                     | 124 |
| Tilt-Only window                     | 126 |
| Individual components                | 128 |

---

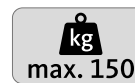
# ALU-JET CC610 up to 150 kg sash weight

Tilt&Turn window / Tilt-First window



## ALU-JET CC610 up to 150 kg sash weight

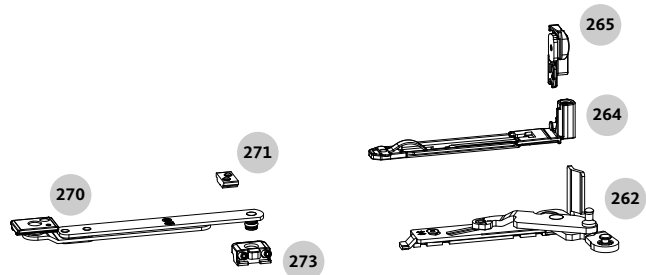
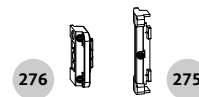
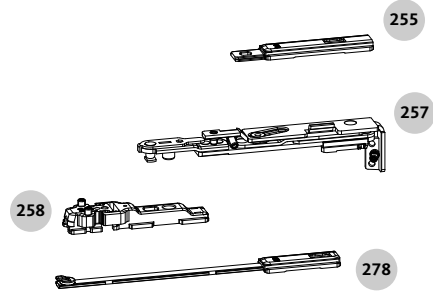
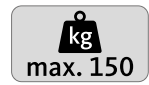
Tilt&amp;Turn window / Tilt-First window



| Item | Description                     | Piece(s)         |              |              |             |              |              | PU        | Qty. in K-set | Order number          |                       |
|------|---------------------------------|------------------|--------------|--------------|-------------|--------------|--------------|-----------|---------------|-----------------------|-----------------------|
|      |                                 | SW 500-800       |              |              | SW 801-1600 |              |              |           |               |                       |                       |
|      |                                 | SH 500-1000      | SH 1001-1200 | SH 1201-2800 | SH 500-1000 | SH 1000-1200 | SH 1201-2800 |           |               |                       |                       |
| 250  | T&T+TF stay-arm                 | DIN left         | 1            | 1            | 1           | -            | -            | -         | 10            | -                     | 6-37470-00-L-1        |
|      |                                 | DIN right        | 1            | 1            | 1           | -            | -            | -         | 10            | -                     | 6-37470-00-R-1        |
|      |                                 | DIN left         | -            | -            | -           | 1            | 1            | 1         | 10            | -                     | 6-37471-00-L-1        |
|      |                                 | DIN right        | -            | -            | -           | 1            | 1            | 1         | 10            | -                     | 6-37471-00-R-1        |
| 251  | T&T+TF stay-guide               | DIN left         | 1            | 1            | 1           | -            | -            | -         | 10            | -                     | 6-37472-00-L-1        |
|      |                                 | DIN right        | 1            | 1            | 1           | -            | -            | -         | 10            | -                     | 6-37472-00-R-1        |
|      |                                 | DIN left         | -            | -            | -           | 1            | 1            | 1         | 10            | -                     | 6-37473-00-L-1        |
|      |                                 | DIN right        | -            | -            | -           | 1            | 1            | 1         | 10            | -                     | 6-37473-00-R-1        |
| 254  | Tilt-width limiter 180 > 120 mm | -                | -            | -            | 1           | -            | -            | 10        | -             | 9-48773-00-0-1        |                       |
| 255  | T&T+TF connection, corner-drive | Standard         | -            | -            | 1           | -            | -            | 1         | 10            | -                     | 9-48772-00-0-1        |
|      |                                 | RC2/RC3          | 1            | 1            | 1           | 1            | 1            | 1         | 10            | -                     |                       |
| 262  | Pivot-rest 10/14+14/18          | DIN left         | 1            | 1            | 1           | 1            | 1            | 1         | 10            | -                     | 6-37059-00-L-1        |
|      |                                 | DIN right        | 1            | 1            | 1           | 1            | 1            | 1         | 10            | -                     | 6-37059-00-R-1        |
|      | Pivot-rest 12/15                | DIN left         | 1            | 1            | 1           | 1            | 1            | 1         | 10            | -                     | 6-37059-12-L-1        |
|      |                                 | DIN right        | 1            | 1            | 1           | 1            | 1            | 1         | 10            | -                     | 6-37059-12-R-1        |
|      | <b>Corner-hinge</b>             | <b>DIN left</b>  | <b>1</b>     | <b>1</b>     | <b>1</b>    | <b>1</b>     | <b>1</b>     | <b>1</b>  | <b>10</b>     | <b>-</b>              | <b>K-19471-00-L-1</b> |
|      |                                 | <b>DIN right</b> | <b>1</b>     | <b>1</b>     | <b>1</b>    | <b>1</b>     | <b>1</b>     | <b>1</b>  | <b>10</b>     | <b>-</b>              | <b>K-19471-00-R-1</b> |
| 264  | Corner-hinge, pivot part        | DIN left         | 1            | 1            | 1           | 1            | 1            | 1         | -             | 1                     | 6-37060-00-L-1        |
|      |                                 | DIN right        | 1            | 1            | 1           | 1            | 1            | 1         | -             | 1                     | 6-37060-00-R-1        |
| 265  | Corner-hinge, adjustment part   | DIN left         | 1            | 1            | 1           | 1            | 1            | 1         | -             | 1                     | 6-39285-00-L-1        |
|      |                                 | DIN right        | 1            | 1            | 1           | 1            | 1            | 1         | -             | 1                     | 6-39285-00-R-1        |
|      | <b>Turn-restrictor</b>          | -                | -            | -            | <b>1</b>    | <b>1</b>     | <b>1</b>     | <b>10</b> | <b>-</b>      | <b>K-19644-00-0-1</b> |                       |
| 270  | Turn-restrictor                 | -                | -            | -            | 1           | 1            | 1            | -         | 1             | 6-39547-00-0-1        |                       |
| 271  | Turn-restrictor, stopper        | -                | -            | -            | 1           | 1            | 1            | -         | 1             | 6-39548-00-0-0        |                       |
| 273  | Turn-restrictor, frame part     | -                | -            | -            | 1           | 1            | 1            | -         | 1             | 6-38875-00-0-1        |                       |

# ALU-JET CC610 up to 150 kg sash weight

Turn-Only window



## ALU-JET CC610 up to 150 kg sash weight

## Turn-Only window

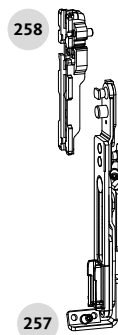
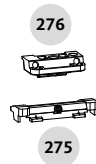
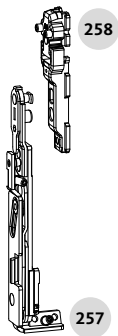
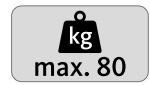


| Item   | Description                                   | Piece(s)    |              |              |             |              |              | PU | Qty. in K-set | Order number |                |
|--|---|-------------|--------------|--------------|-------------|--------------|--------------|----|---------------|--------------|----------------|
|  |   | SW 235-800  |              |              | SW 801-1600 |              |              |    |               |              |                |
|  |   | SH 500-1200 | SH 1201-2200 | SH 2201-2800 | SH 500-1200 | SH 1201-2200 | SH 2201-2800 |    |               |              |                |
| 257  | TU-ON+TI-ON stay-arm                          | DIN left    | 1            | 1            | 1           | 1            | 1            | 1  | 10            | -            | 6-37474-00-L-1 |
|  |   | DIN right   | 1            | 1            | 1           | 1            | 1            | 1  | 10            | -            | 6-37474-00-R-1 |
| 258  | TU-ON+TI-ON stay-guide                        |             | 1            | 1            | 1           | 1            | 1            | 1  | 10            | -            | 6-37475-00-0-1 |
| 262  | Pivot-rest 10/14+14/18                        | DIN left    | 1            | 1            | 1           | 1            | 1            | 1  | 10            | -            | 6-37059-00-L-1 |
|  |   | DIN right   | 1            | 1            | 1           | 1            | 1            | 1  | 10            | -            | 6-37059-00-R-1 |
|  | Pivot-rest 12/15                              | DIN left    | 1            | 1            | 1           | 1            | 1            | 1  | 10            | -            | 6-37059-12-L-1 |
|  |   | DIN right   | 1            | 1            | 1           | 1            | 1            | 1  | 10            | -            | 6-37059-12-R-1 |
|  | <b>Corner-hinge</b>                           | DIN left    | 1            | 1            | 1           | 1            | 1            | 1  | 10            | -            | K-19471-00-L-1 |
|  |   | DIN right   | 1            | 1            | 1           | 1            | 1            | 1  | 10            | -            | K-19471-00-R-1 |
| 264  | Corner-hinge, pivot part                      | DIN left    | 1            | 1            | 1           | 1            | 1            | 1  | -             | 1            | 6-37060-00-L-1 |
|  |   | DIN right   | 1            | 1            | 1           | 1            | 1            | 1  | -             | 1            | 6-37060-00-R-1 |
| 265  | Corner-hinge, adjustment part                 | DIN left    | 1            | 1            | 1           | 1            | 1            | 1  | -             | 1            | 6-39285-00-L-1 |
|  |   | DIN right   | 1            | 1            | 1           | 1            | 1            | 1  | -             | 1            | 6-39285-00-R-1 |
|  | <b>Turn-restrictor</b>                        |             | -            | -            | -           | 1            | 1            | 1  | 10            | -            | K-19644-00-0-1 |
| 270  | Turn-restrictor                               |             | -            | -            | -           | 1            | 1            | 1  | -             | 1            | 6-39547-00-0-1 |
| 271  | Stopper                                       |             | -            | -            | -           | 1            | 1            | 1  | -             | 1            | 6-39548-00-0-0 |
| 273  | Turn-restrictor, frame part                   |             | -            | -            | -           | 1            | 1            | 1  | -             | 1            | 6-38875-00-0-1 |
| 275  | Centre-closer, frame part                     |             | -            | 1            | 2           | -            | 1            | 2  | 10            | -            | 6-35845-09-0-1 |
| 276  | Centre-closer, sash part, adjustable          |             | -            | 1            | 2           | -            | 1            | 2  | 10            | -            | 6-38884-00-0-1 |
| <b>Alternative for more stringent tightness requirements</b> |   |             |              |              |             |              |              |    |               |              |                |
| 278  | TU-ON+TI-ON coupling part CD C-L hinge-side * | Standard    | -            | 1            | 1           | -            | 1            | 1  | 1             | -            | 6-37476-00-0-1 |
|  |   | RC2/RC3     | 1            | 1            | 1           | 1            | 1            | 1  | 1             | -            |                |

\* in combination with central locking system on the hinge side from sash width 341 mm

# ALU-JET CC610 up to 80 kg sash weight

Tilt-Only window



# ALU-JET CC610 up to 80 kg sash weight

Tilt-Only window

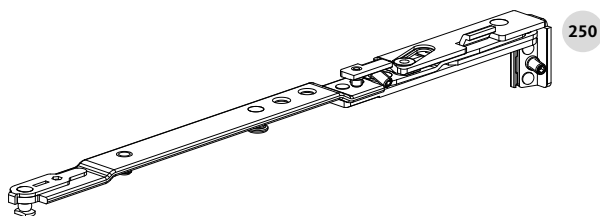


| Item       | Description | Piece(s)                  |            |            |              |            |            |              |  |  | PU | Qty. in K-set | Order number |
|------------|-------------|---------------------------|------------|------------|--------------|------------|------------|--------------|--|--|----|---------------|--------------|
|            |             | with concealed hinge-side |            |            |              |            |            |              |  |  |    |               |              |
|            |             | SW 350-1000               |            |            | SW 1001-1800 |            |            | SW 1801-2400 |  |  |    |               |              |
| SH 535-614 | SH 615-800  | SH 801-1200               | SH 535-614 | SH 615-800 | SH 801-1200  | SH 535-614 | SH 615-800 | SH 801-1200  |  |  |    |               |              |

|     |                           |           |   |   |   |   |   |   |   |   |   |    |   |                |
|-----|---------------------------|-----------|---|---|---|---|---|---|---|---|---|----|---|----------------|
| 257 | TU-ON+TI-ON stay-arm      | DIN left  | 1 | 1 | 1 | 1 | 1 | 1 | 1 | 1 | 1 | 10 | - | 6-37474-00-L-1 |
|     |                           | DIN right | 1 | 1 | 1 | 1 | 1 | 1 | 1 | 1 | 1 | 10 | - | 6-37474-00-R-1 |
| 258 | TU-ON+TI-ON stay-guide    |           | 2 | 2 | 2 | 2 | 2 | 2 | 2 | 2 | 2 | 10 | - | 6-37475-00-0-1 |
| 275 | Centre-closer, frame part |           | - | - | - | 1 | 1 | 1 | 1 | 1 | 1 | 10 | - | 6-35845-09-0-1 |
| 276 | Centre-closer, sash part  |           | - | - | - | 1 | 1 | 1 | 1 | 1 | 1 | 10 | - | 6-38884-00-0-1 |

# ALU-JET CC610 up to 150 kg sash weight

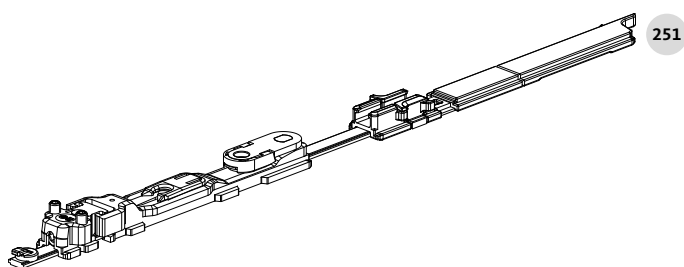
## Individual components



### T&T+TF stay-arm

| Technical data        |                                      |
|-----------------------|--------------------------------------|
| Hinge-side type       | concealed                            |
| Opening type          | Tilt&Turn window   Tilt-First window |
| Finish                | ferGUard*silver                      |
| Max. sash weight [kg] | 150                                  |
| Opening angle [°]     | 90                                   |
| Frame groove [mm]     | 10/14   12/15   14/18                |
| Type of fixing        | clampable                            |
| Installation tool     | Hexagon socket size 2.5              |
| Adjusting tool        | Hexagon socket size 4                |

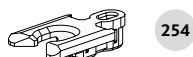
| Min. sash width [mm] | Max. sash width [mm] | DIN side of hinges | PU | Order number   |
|----------------------|----------------------|--------------------|----|----------------|
| 500                  | 800                  | left               | 10 | 6-37470-00-L-1 |
|                      |                      | right              | 10 | 6-37470-00-R-1 |
| 801                  | 1600                 | left               | 10 | 6-37471-00-L-1 |
|                      |                      | right              | 10 | 6-37471-00-R-1 |



### T&T+TF stay-guide

| Technical data    |                                      |
|-------------------|--------------------------------------|
| Hinge-side type   | concealed                            |
| Opening type      | Tilt&Turn window   Tilt-First window |
| Finish            | ferGUard*silver                      |
| Type of fixing    | clampable                            |
| Installation tool | Hexagon socket size 2.5              |
| Adjusting tool    | Hexagon socket size 4                |

| Min. sash width [mm] | Max. sash width [mm] | DIN side of hinges | PU | Order number   |
|----------------------|----------------------|--------------------|----|----------------|
| 500                  | 800                  | left               | 10 | 6-37472-00-L-1 |
|                      |                      | right              | 10 | 6-37472-00-R-1 |
| 801                  | 1600                 | left               | 10 | 6-37473-00-L-1 |
|                      |                      | right              | 10 | 6-37473-00-R-1 |



### Tilt-width limiter 180 -> 120 mm

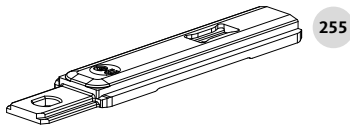
| Technical data       |                                      |
|----------------------|--------------------------------------|
| Hinge-side type      | concealed                            |
| Opening type         | Tilt&Turn window   Tilt-First window |
| DIN side of hinges   | left   right                         |
| Finish               | grey                                 |
| Min. sash width [mm] | 801                                  |
| Max. sash width [mm] | 1600                                 |
| Installation tool    | -                                    |

|  | PU | Order number   |
|--|----|----------------|
|  | 10 | 9-48773-00-0-1 |



# ALU-JET CC610 up to 150 kg sash weight

## Individual components

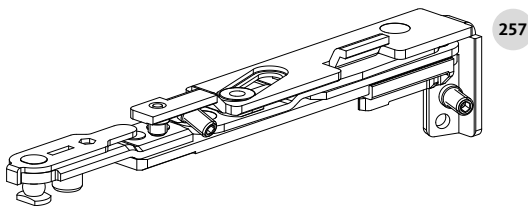


255

### T&T+TF connection corner-drive

| Technical data       |                                      |
|----------------------|--------------------------------------|
| Hinge-side type      | concealed                            |
| Opening type         | Tilt&Turn window   Tilt-First window |
| DIN side of hinges   | left   right                         |
| Finish               | ferGUard*silver                      |
| Min. sash width [mm] | 500                                  |
| Max. sash width [mm] | 1600                                 |
| Installation tool    | -                                    |

|  | PU | Order number   |
|--|----|----------------|
|  | 10 | 9-48772-00-0-1 |



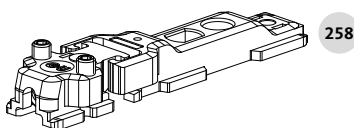
257

### TU-ON+TI-ON stay-arm

| Technical data        |  |
|-----------------------|--|
| Hinge-side type       | concealed  |
| Opening type          | Turn-Only window   Tilt-Only window   Dummy-mullion sash |
| Finish                | ferGUard*silver  |
| Max. sash weight [kg] | 150   80*  |
| Opening angle [°]     | 90   |
| Frame groove [mm]     | 10/14   12/15   14/18                                    |
| Min. sash width [mm]  | 235  |
| Max. sash width [mm]  | 1600   |
| Type of fixing        | clampable  |
| Installation tool     | Hexagon socket size 2.5                                  |
| Adjusting tool        | Hexagon socket size 4                                    |

| DIN side of hinges | PU | Order number   |
|--------------------|----|----------------|
| left               | 10 | 6-37474-00-L-1 |
| right              | 10 | 6-37474-00-R-1 |

\* With Tilt-Only windows max. 80 kg



258

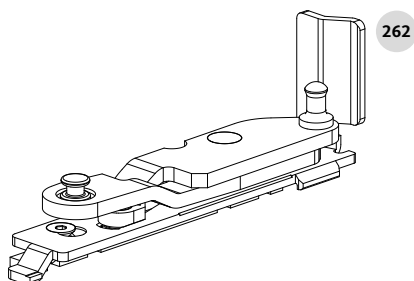
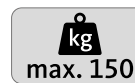
### TU-ON+TI-ON stay-guide

| Technical data       |  |
|----------------------|--|
| Hinge-side type      | concealed  |
| Opening type         | Turn-Only window   Tilt-Only window   Dummy-mullion sash |
| DIN side of hinges   | left   right   |
| Finish               | ferGUard*silver  |
| Min. sash width [mm] | 235  |
| Max. sash width [mm] | 1600   |
| Type of fixing       | clampable  |
| Installation tool    | Hexagon socket size 2.5                                  |
| Adjusting tool       | Hexagon socket size 4                                    |

|  | PU | Order number   |
|--|----|----------------|
|  | 10 | 6-37475-00-0-1 |

# ALU-JET CC610 up to 150 kg sash weight

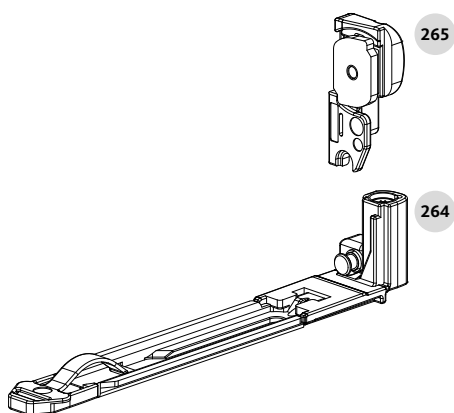
## Individual components



### Pivot-rest

| Technical data        |  |
|-----------------------|--|
| Hinge-side type       | concealed  |
| Opening type          | Tilt&Turn window   Tilt-First window   Turn-Only window   Dummy-mullion sash |
| Finish                | ferGUard*silver  |
| Min. sash width [mm]  | 235  |
| Max. sash width [mm]  | 1600   |
| Max. sash weight [kg] | 150  |
| Type of fixing        | clampable  |
| Installation tool     | Hexagon socket size 2.5  |
| Adjusting tool        | Hexagon socket size 2.5  |

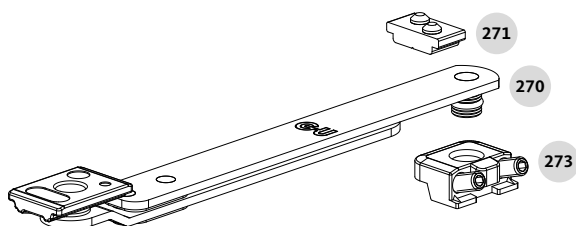
| Frame groove [mm] | DIN side of hinges | PU | Order number   |
|-------------------|--------------------|----|----------------|
| 10/14   14/18     | left               | 10 | 6-37059-00-L-1 |
|                   | right              | 10 | 6-37059-00-R-1 |
| 12/15             | left               | 10 | 6-37059-12-L-1 |
|                   | right              | 10 | 6-37059-12-R-1 |



### Corner-hinge

| Technical data        |  |
|-----------------------|--|
| Hinge-side type       | concealed  |
| Opening type          | Tilt&Turn window   Tilt-First window   Turn-Only window   Dummy-mullion sash |
| Finish                | ferGUard*silver  |
| Min. sash width [mm]  | 235  |
| Max. sash width [mm]  | 1600   |
| Max. sash weight [kg] | 150  |
| Type of fixing        | clampable  |
| Installation tool     | Hexagon socket size 2.5  |
| Adjusting tool        | Hexagon socket size 2.5   Hexagon socket size 4                              |

| DIN side of hinges | PU | Order number   |
|--------------------|----|----------------|
| left               | 10 | K-19471-00-L-1 |
| right              | 10 | K-19471-00-R-1 |



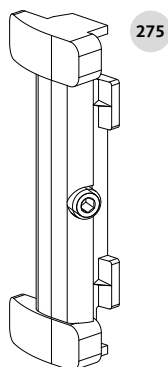
### Turn-restrictor

| Technical data       |  |
|----------------------|--|
| Opening type         | Tilt&Turn window   Tilt-First window   Turn-Only window   Dummy-mullion sash |
| DIN side of hinges   | left   right   |
| Finish               | ferGUard*silver  |
| Frame groove [mm]    | 10/14   12/15   14/18  |
| Max. sash width [mm] | 1600   |
| Type of fixing       | clampable  |
| Installation tool    | Hexagon socket size 2.5  |
| Adjusting tool       | Hexagon socket size 2.5  |

|  | PU | Order number   |
|--|----|----------------|
|  | 10 | K-19644-00-0-1 |

# ALU-JET CC610 up to 150 kg sash weight

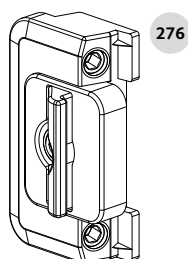
## Individual components



### Centre-closer, frame part

| Technical data     |  |
|--------------------|--|
| Hinge-side type    | concealed  |
| Opening type       | Turn-Only window   Tilt-Only window   Dummy-mullion sash |
| DIN side of hinges | left   right   |
| Finish             | ferGUard*silver  |
| Frame groove [mm]  | 10/14   12/15   14/18                                    |
| Installation tool  | Hexagon socket size 2.5                                  |

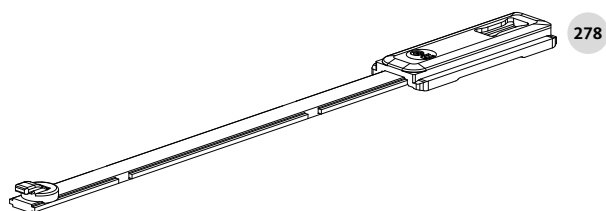
|  | PU | Order number   |
|--|----|----------------|
|  | 10 | 6-35845-09-0-1 |



### C-C sash part, adjustable

| Technical data     |  |
|--------------------|--|
| Hinge-side type    | concealed  |
| Opening type       | Turn-Only window   Tilt-Only window   Dummy-mullion sash |
| DIN side of hinges | left   right   |
| Finish             | ferGUard*silver  |
| Installation tool  | Hexagon socket size 2.5                                  |
| Adjusting tool     | Hexagon socket size 2.5                                  |

|  | PU | Order number   |
|--|----|----------------|
|  | 10 | 6-38884-00-0-1 |



### TU-ON+TI-ON coupling part CD C-L hinge-side

| Technical data       |  |
|----------------------|--|
| Hinge-side type      | concealed  |
| Opening type         | Turn-Only window   Tilt-Only window   Dummy-mullion sash |
| DIN side of hinges   | left   right   |
| Finish               | ferGUard*silver  |
| Min. sash width [mm] | 325  |
| Max. sash width [mm] | 1600   |
| Installation tool    | -  |

|  | PU | Order number   |
|--|----|----------------|
|  | 10 | 6-37476-00-0-1 |





### Strikers

134

### T&T strikers and fanlight hinges

136

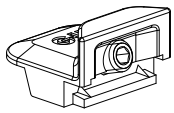
### Connecting rod shoot-bolt strikers

137

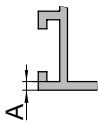
### Run-up block / clearance packer

138

# Strikers



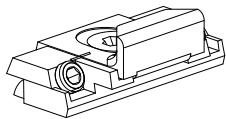
55



## Striker

| Technical data     |   |
|--------------------|---|
| Opening type       | Tilt&Turn window   Tilt-First window   Turn-Only window   Tilt-Only window   Dummy-mullion sash |
| DIN side of hinges | left   right  |
| Finish             | ferGUard*silver   |
| Frame groove [mm]  | 10/14   12/15   14/18   |
| Type of fixing     | clampable   |
| Installation tool  | Hexagon socket size 2.5   |

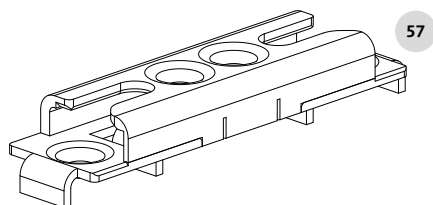
| Frame groove dimension A min. [mm] | PU  | Order number   |
|------------------------------------|-----|----------------|
| 2                                  | 100 | 6-37261-01-0-1 |
| 1.5                                | 100 | 6-37261-02-0-1 |



## Adjustable striker

| Technical data     |   |
|--------------------|---|
| Opening type       | Tilt&Turn window   Tilt-First window   Turn-Only window   Tilt-Only window   Dummy-mullion sash |
| DIN side of hinges | left   right  |
| Finish             | ferGUard*silver   |
| Type of fixing     | clampable   |
| Installation tool  | Hexagon socket size 2.5   |
| Adjusting tool     | Philips PH 2  |

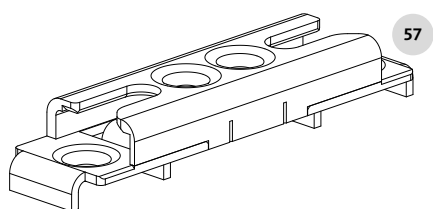
| Frame groove [mm] | PU  | Order number   |
|-------------------|-----|----------------|
| 10/14             | 100 | G-11065-00-0-1 |
| 12/15             | 100 | G-11800-00-0-1 |
| 14/18             | 100 | G-11071-00-0-1 |



### Sec striker 10/14

| Technical data           |  |
|--------------------------|--|
| Opening type             | Tilt&Turn window   Tilt-First window   Turn-Only window   Tilt-Only window |
| DIN side of hinges       | left   right   |
| Burglar resistance class | RC2   RC3  |
| Finish                   | stainless steel  |
| Frame groove [mm]        | 10/14  |
| Type of fixing           | screw-on   |

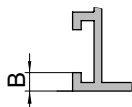
|  | PU  | Order number   |
|--|-----|----------------|
|  | 100 | 6-37254-10-0-8 |



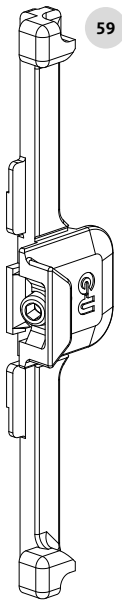
### Sec striker 14/18

| Technical data           |  |
|--------------------------|--|
| Opening type             | Tilt&Turn window   Tilt-First window   Turn-Only window   Tilt-Only window |
| DIN side of hinges       | left   right   |
| Burglar resistance class | RC2   RC3  |
| Finish                   | stainless steel  |
| Frame groove [mm]        | 14/18  |
| Type of fixing           | screw-on   |

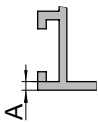
| Frame groove dimension B min. [mm] | PU  | Order number   |
|------------------------------------|-----|----------------|
| 4                                  | 100 | 6-37254-14-0-8 |
| 3.5                                | 100 | 6-37254-15-0-8 |



# T&T strikers and fanlight hinge



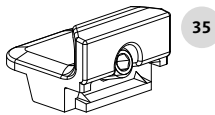
59



## T&T striker

| Technical data     |                                     |
|--------------------|-------------------------------------|
| Opening type       | Tilt&Turn window   Turn-Only window |
| DIN side of hinges | left   right                        |
| Finish             | ferGUard*silver                     |
| Frame groove [mm]  | 10/14   12/15   14/18               |
| Type of fixing     | clampable                           |
| Installation tool  | Hexagon socket size 2.5             |

| Frame groove dimension A min. [mm] | PU  | Order number   |
|------------------------------------|-----|----------------|
| 2                                  | 100 | 6-39907-01-0-1 |
| 1.5                                | 100 | 6-39907-02-0-1 |

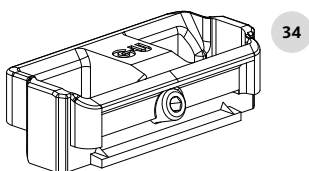


35

## Tilt-First striker

| Technical data     |                         |
|--------------------|-------------------------|
| Opening type       | Tilt-First window       |
| DIN side of hinges | left   right            |
| Finish             | ferGUard*silver         |
| Frame groove [mm]  | 10/14   12/15   14/18   |
| Type of fixing     | clampable               |
| Installation tool  | Hexagon socket size 2.5 |

|  | PU  | Order number   |
|--|-----|----------------|
|  | 100 | 6-38686-00-0-1 |



34

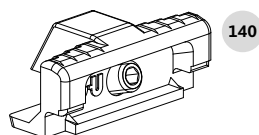
## T&T fanlight hinge

| Technical data     |                                     |
|--------------------|-------------------------------------|
| Opening type       | Tilt&Turn window   Turn-Only window |
| DIN side of hinges | left   right                        |
| Finish             | ferGUard*silver                     |
| Type of fixing     | clampable                           |
| Installation tool  | Hexagon socket size 2.5             |

|  | PU  | Order number   |
|--|-----|----------------|
|  | 100 | 6-37441-00-0-1 |



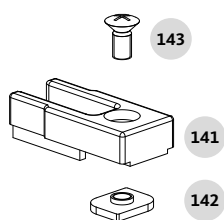
# Connecting rod shoot-bolt strikers



## CR shoot-bolt striker

| Technical data     |                         |
|--------------------|-------------------------|
| Opening type       | Dummy-mullion sash      |
| DIN side of hinges | left   right            |
| Finish             | ferGUard*silver         |
| Frame groove [mm]  | 10/14   12/15   14/18   |
| Type of fixing     | clampable               |
| Installation tool  | Hexagon socket size 2.5 |
| Adjusting tool     | Hexagon socket size 2.5 |

|   | PU  | Order number   |
|---|-----|----------------|
|   | 100 | 6-30961-00-0-1 |
| + 1.5 mm gasket pressure (compared to 6-30961-00-0) | 100 | G-19658-02-0-1 |
| + 3.0 mm gasket pressure (compared to 6-30961-00-0) | 100 | G-19658-03-0-1 |

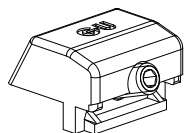


## TU-ON connecting rod shoot-bolt striker set 14/18

| Technical data     |                  |
|--------------------|------------------|
| Opening type       | Turn-Only window |
| DIN side of hinges | left   right     |
| Finish             | grey             |
| Frame groove [mm]  | 14/18            |
| Type of fixing     | clampable        |
| Installation tool  | Philips PH 2     |

|  | PU | Order number   |
|--|----|----------------|
|  | 10 | K-15819-00-0-1 |

# Run-up block / clearance packer

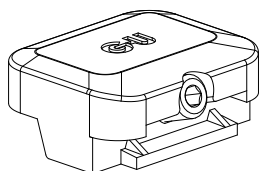


37

## Run-up block, frame part

| Technical data     |                         |
|--------------------|-------------------------|
| Opening type       | Dummy-mullion sash      |
| DIN side of hinges | left   right            |
| Finish             | grey                    |
| Frame groove [mm]  | 10/14   12/15   14/18   |
| Type of fixing     | clampable               |
| Installation tool  | Hexagon socket size 2.5 |

|  | PU | Order number   |
|--|----|----------------|
|  | 10 | 6-30998-00-0-1 |

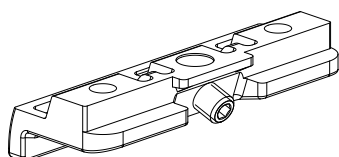


36

## Run-up block tilt corner-drive TF

| Technical data    |  |
|-------------------|--|
| Opening type      | Tilt-First window   Dummy-mullion sash |
| DIN stop          | left   right                           |
| Finish            | grey                                   |
| Frame groove [mm] | 10/14   12/15   14/18                  |
| Type of fixing    | clampable                              |
| Installation tool | Hexagon socket size 2.5                |

|  | PU | Order number   |
|--|----|----------------|
|  | 10 | 6-38696-00-0-1 |



60

## Sec clearance packer / TU-ON window run-up block

| Technical data           |  |
|--------------------------|--|
| Opening type             | Tilt&Turn window   Tilt-First window   Turn-Only window   Dummy-mullion sash |
| DIN stop                 | left   right   |
| Finish                   | grey   |
| Burglar resistance class | RC2   RC3  |
| Type of fixing           | clampable   screw-on   |
| Installation tool        | Hexagon socket size 2.5  |

|  | PU  | Order number   |
|--|-----|----------------|
|  | 100 | 6-38807-00-0-1 |







## Geared turn handles

|                                |     |
|--------------------------------|-----|
| SPACIO                         | 142 |
| SPACIO accessories             | 144 |
| ADAGIO                         | 145 |
| ADAGIO accessories             | 147 |
| Accessories for geared handles | 148 |

## Turn handles

### Aluminium turn handles

|          |     |
|----------|-----|
| DIRIGENT | 149 |
| ADAGIO   | 152 |
| MODENA   | 154 |
| SOPRANO  | 155 |
| BELCANTO | 156 |
| TENUTO   | 157 |

### Stainless-steel turn handles

|          |     |
|----------|-----|
| BELCANTO | 158 |
| RONDO    | 159 |
| TREMOLO  | 160 |

### Accessories for turn handles

|                                     |     |
|-------------------------------------|-----|
| Surface-mounted lock                | 161 |
| Rosettes, pull handle               | 162 |
| Square spindles, countersunk screws | 163 |

## Rosette-free turn handles

|                           |     |
|---------------------------|-----|
| Rosette-free turn handles | 164 |
|---------------------------|-----|

# Geared turn handles

SPACIO



## SPACIO geared turn handle

| Technical data                |  |
|-------------------------------|--|
| Opening type                  | Tilt&Turn window   Tilt-First window   Turn-Only window   Tilt-Only window |
| DIN side of hinges            | left   right   |
| Min. sash overlap height [mm] | 7  |
| Max. sash overlap height [mm] | 12   |
| Type of fixing                | screw-on   |
| Installation tool             | Hexagon socket size 4  |

| Hole pattern, distance between fastening points [mm] | Finish                              | PU | Order number   |
|--|-------------------------------------|----|----------------|
| 84   98  | untreated                           | 10 | G-46551-00-0-0 |
|  | EV1 silver                          | 10 | G-46551-00-0-1 |
|  | dark bronze                         | 10 | G-46551-00-0-5 |
|  | black                               | 10 | G-46551-00-0-6 |
|  | traffic white                       | 10 | G-46551-00-0-7 |
| 96   104   | untreated                           | 10 | G-46551-96-0-0 |
|  | EV1 silver                          | 10 | G-46551-96-0-1 |
|  | dark bronze                         | 10 | G-46551-96-0-5 |
|  | black                               | 10 | G-46551-96-0-6 |
|  | traffic white                       | 10 | G-46551-96-0-7 |
|  | special colour available on request | 10 | G-46551-96-0-9 |



## SPACIO geared turn handle, lockable

| Technical data                |  |
|-------------------------------|--|
| Version                       | lockable   |
| Opening type                  | Tilt&Turn window   Tilt-First window   Turn-Only window   Tilt-Only window |
| DIN side of hinges            | left   right   |
| Min. sash overlap height [mm] | 7  |
| Max. sash overlap height [mm] | 12   |
| Installation tool             | Hexagon socket size 4  |

| Hole pattern, distance between fastening points [mm] | Finish        | PU | Order number   |
|--|---------------|----|----------------|
| 84   98  | untreated     | 10 | G-46553-00-0-0 |
|  | dark bronze   | 10 | G-46553-00-0-5 |
|  | black         | 10 | G-46553-00-0-6 |
|  | traffic white | 10 | G-46553-00-0-7 |
| 96   104   | untreated     | 10 | G-46553-96-0-0 |
|  | EV1 silver    | 10 | G-46553-96-0-1 |
|  | dark bronze   | 10 | G-46553-96-0-5 |
|  | black         | 10 | G-46553-96-0-6 |
|  | traffic white | 10 | G-46553-96-0-7 |

# Geared turn handles

SPACIO



## SPACIO geared rosette

| Technical data                |  |
|-------------------------------|--|
| Opening type                  | Tilt&Turn window   Tilt-First window   Turn-Only window   Tilt-Only window |
| DIN side of hinges            | left   right   |
| Min. sash overlap height [mm] | 7  |
| Max. sash overlap height [mm] | 12   |
| Installation tool             | Hexagon socket size 4  |

| Hole pattern, distance between fastening points [mm] | Finish        | PU | Order number   |
|--|---------------|----|----------------|
| 84   98  | untreated     | 10 | G-46555-00-0-0 |
|  | EV1 silver    | 10 | G-46555-00-0-1 |
|  | dark bronze   | 10 | G-46555-00-0-5 |
|  | traffic white | 10 | G-46555-00-0-7 |
| 96   104   | EV1 silver    | 10 | G-46555-96-0-1 |
|  | black         | 10 | G-46555-96-0-6 |



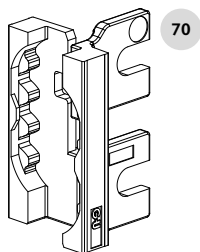
## SPACIO service handle

| Technical data                |  |
|-------------------------------|--|
| Version                       | in conjunction with geared rosette G-46555                                 |
| Opening type                  | Tilt&Turn window   Tilt-First window   Turn-Only window   Tilt-Only window |
| DIN side of hinges            | left   right   |
| Finish                        | EV1 silver   |
| Min. sash overlap height [mm] | 7  |
| Max. sash overlap height [mm] | 12   |
| Type of fixing                | pluggable  |
| Installation tool             | -  |

| PU | Order number   |
|----|----------------|
| 10 | G-18888-00-0-1 |

# Geared turn handles

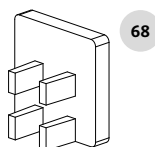
## SPACIO accessories



### SPACIO conversion kit for expansion gear handle

| Technical data                |   |
|-------------------------------|---|
| Version                       | for geared turn handle G-46551 and geared rosette G-46555 |
| Opening type                  | Turn-Only window  |
| Finish                        | untreated   |
| Min. sash overlap height [mm] | 7   |
| Max. sash overlap height [mm] | 12  |
| Installation tool             | –   |

| DIN side of hinges | PU | Order number   |
|--------------------|----|----------------|
| left               | 10 | G-46550-00-L-1 |
| right              | 10 | G-46550-00-R-1 |



### SPACIO 90° turn-restrictor

| Technical data                |  |
|-------------------------------|--|
| Version                       | for geared turn handle G-46551, G-46553 and geared rosette G-46555 |
| Opening type                  | Turn-Only window   Tilt-Only window                                |
| DIN side of hinges            | left   right   |
| Finish                        | black  |
| Min. sash overlap height [mm] | 7  |
| Max. sash overlap height [mm] | 23   |
| Installation tool             | –  |

|  | PU | Order number   |
|--|----|----------------|
|  | 10 | 9-34612-00-0-6 |



# Geared turn handles

ADAGIO



## ADAGIO-A geared turn handle

| Technical data                                       |  |
|--|--|
| Version  | only in combination with ADAGIO-A carrier fork set K-15814 or ADAGIO-A connector set K-15815 |
| Opening type   | Tilt&Turn window   Tilt-First window   Turn-Only window   Tilt-Only window                   |
| DIN side of hinges                                   | left   right   |
| Min. sash overlap height [mm]                        | 7  |
| Max. sash overlap height [mm]                        | 12   |
| Hole pattern, distance between fastening points [mm] | 104  |
| Installation tool                                    | -  |

| Finish                              | PU | Order number   |
|-------------------------------------|----|----------------|
| untreated                           | 10 | 6-31723-00-0-0 |
| EV1 silver                          | 10 | 6-31723-00-0-1 |
| black                               | 10 | 6-31723-00-0-6 |
| traffic white                       | 10 | 6-31723-00-0-7 |
| special colour available on request | 10 | 6-31723-00-0-9 |



## ADAGIO-A geared turn handle, lockable

| Technical data                                       |  |
|--|--|
| Version  | only in combination with ADAGIO-A carrier fork set K-15814 or ADAGIO-A connector set K-15815 |
| Opening type   | Tilt&Turn window   Tilt-First window   Turn-Only window   Tilt-Only window                   |
| DIN side of hinges                                   | left   right   |
| Min. sash overlap height [mm]                        | 7  |
| Max. sash overlap height [mm]                        | 12   |
| Hole pattern, distance between fastening points [mm] | 104  |
| Installation tool                                    | -  |

| Finish        | PU | Order number   |
|---------------|----|----------------|
| EV1 silver    | 10 | 6-31724-00-0-1 |
| black         | 10 | 6-31724-00-0-6 |
| traffic white | 10 | 6-31724-00-0-7 |

# Geared turn handles

## ADAGIO



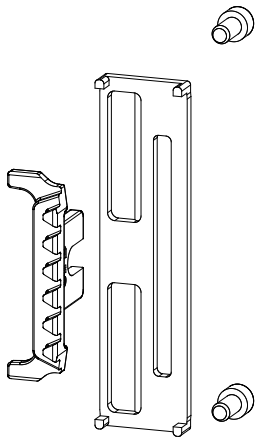
### ADAGIO geared turn handle, lockable RC2/RC3

| Technical data                     |  |
|------------------------------------|--|
| Version                            | only in conjunction with RC2/RC3 handle connector set K-19820              |
| Opening type                       | Tilt&Turn window   Tilt-First window   Turn-Only window   Tilt-Only window |
| DIN side of hinges                 | left   right   |
| Burglar resistance class           | RC2   RC3  |
| Min. sash overlap height [mm]      | 7  |
| Max. sash overlap height [mm]      | 12   |
| Distance between fixing holes [mm] | 104   84   98  |
| Installation tool                  | Hexagon socket size 4  |

| Finish                              | PU | Order number    |
|-------------------------------------|----|-----------------|
| EV1 silver                          | 10 | K-19821-00-0-1  |
| black                               | 10 | K-19821-00-0-6  |
| traffic white                       | 10 | K-19821-00-0-7  |
| white                               | 10 | K-19821-00-0-7T |
| special colour available on request | 10 | K-19821-00-0-9  |

# Geared turn handles

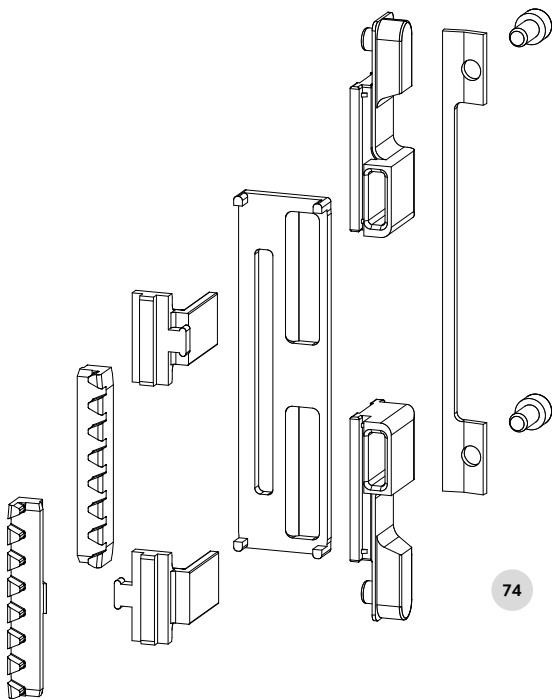
## ADAGIO accessories



### ADAGIO-A carrier fork set

| Technical data                |  |
|-------------------------------|--|
| Opening type                  | Tilt&Turn window   Tilt-First window   Turn-Only window   Tilt-Only window |
| DIN side of hinges            | left   right   |
| Finish                        | ferGUard*silver  |
| Min. sash overlap height [mm] | 7  |
| Max. sash overlap height [mm] | 12   |
| Type of fixing                | screw-on   |
| Installation tool             | Hexagon socket size 4  |

|  | PU | Order number   |
|--|----|----------------|
|  | 10 | K-15814-00-0-1 |



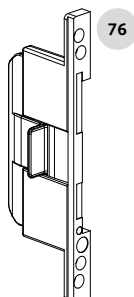
### ADAGIO-A carrier fork set for reverse-action gear

| Technical data                |                       |
|-------------------------------|-----------------------|
| Opening type                  | Turn-Only window      |
| DIN side of hinges            | left   right          |
| Finish                        | ferGUard*silver       |
| Min. sash overlap height [mm] | 7                     |
| Max. sash overlap height [mm] | 12                    |
| Type of fixing                | screw-on              |
| Installation tool             | Hexagon socket size 4 |

|  | PU | Order number   |
|--|----|----------------|
|  | 10 | K-15815-00-0-1 |

# Geared turn handles

## Geared handles, accessories



76

### Mishandling device

| Technical data                |                                      |
|-------------------------------|--------------------------------------|
| Opening type                  | Tilt&Turn window   Tilt-First window |
| DIN side of hinges            | left   right                         |
| Finish                        | ferGUard*silver                      |
| Min. sash overlap height [mm] | 7                                    |
| Max. sash overlap height [mm] | 10.5                                 |
| Installation tool             | -                                    |

| Hole pattern, distance between fastening points [mm] | PU | Order number   |
|--|----|----------------|
| 84   98  | 10 | 6-31065-10-0-1 |
| 96   104   | 10 | 6-31065-40-0-1 |



150

### Packer plate for geared turn handle

| Technical data                                       |  |
|--|--|
| Version  | for reinforcement of sash overlap   2 pcs required per geared turn handle  |
| Opening type   | Tilt&Turn window   Tilt-First window   Turn-Only window   Tilt-Only window |
| DIN side of hinges                                   | left   right   |
| Finish   | stainless steel  |
| Min. sash overlap height [mm]                        | 7  |
| Max. sash overlap height [mm]                        | 23   |
| Hole pattern, distance between fastening points [mm] | 84   96   98   104   |
| Installation tool                                    | -  |

|  | PU  | Order number   |
|--|-----|----------------|
|  | 100 | 9-50091-00-0-8 |



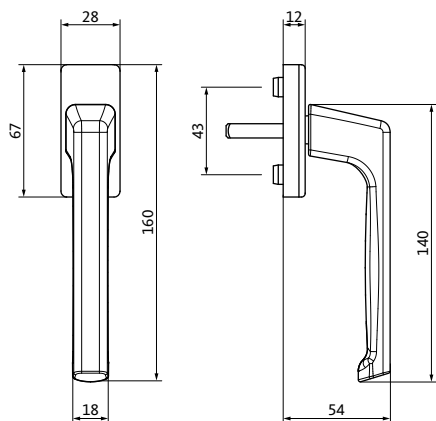
### Packer plate for geared turn handle HP 104

| Technical data                                       |  |
|--|--|
| Version  | for reinforcement of sash overlap  |
| Opening type   | Tilt&Turn window   Tilt-First window   Turn-Only window   Tilt-Only window |
| DIN side of hinges                                   | left   right   |
| Finish   | stainless steel  |
| Min. sash overlap height [mm]                        | 7  |
| Max. sash overlap height [mm]                        | 23   |
| Hole pattern, distance between fastening points [mm] | 104  |
| Installation tool                                    | -  |

|  | PU  | Order number   |
|--|-----|----------------|
|  | 100 | 9-41506-00-0-8 |

# Aluminium turn handles

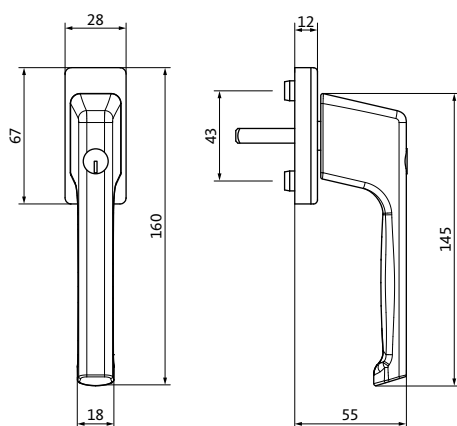
## DIRIGENT



### DIRIGENT-F turn handle

| Technical data                                       |  |
|--|--|
| Material   | Aluminium  |
| Opening type   | Tilt&Turn window   Tilt-First window   Turn-Only window   Tilt-Only window |
| DIN side of hinges                                   | left   right   |
| Hole pattern, distance between fastening points [mm] | 43   |
| Width of square spindle [mm]                         | 7  |
| Length of square spindle [mm]                        | 29   |

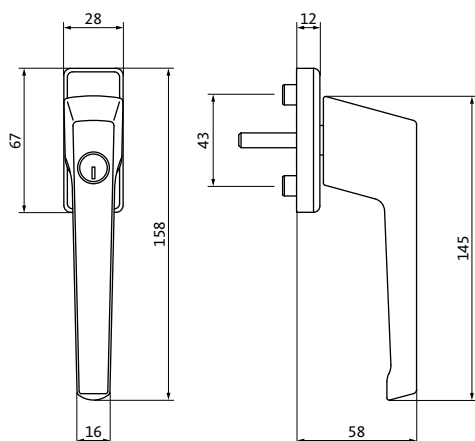
| Finish        | PU | Order number    |
|---------------|----|-----------------|
| EV1 silver    | 20 | 6-28072-29-0-11 |
| brown         | 20 | 6-28072-29-0-5  |
| traffic white | 20 | 6-28072-29-0-7  |



### DIRIGENT-F/Z turn handle, lockable

| Technical data                                       |  |
|--|--|
| Material   | Aluminium  |
| Version  | with push lock   |
| Opening type   | Tilt&Turn window   Tilt-First window   Turn-Only window   Tilt-Only window |
| DIN side of hinges                                   | left   right   |
| Hole pattern, distance between fastening points [mm] | 43   |
| Width of square spindle [mm]                         | 7  |
| Length of square spindle [mm]                        | 29   |

| Finish        | PU | Order number    |
|---------------|----|-----------------|
| EV1 silver    | 20 | 6-28075-29-0-11 |
| brown         | 20 | 6-28075-29-0-5  |
| traffic white | 20 | 6-28075-29-0-7  |



### DIRIGENT turn handle Tilt-First, lockable

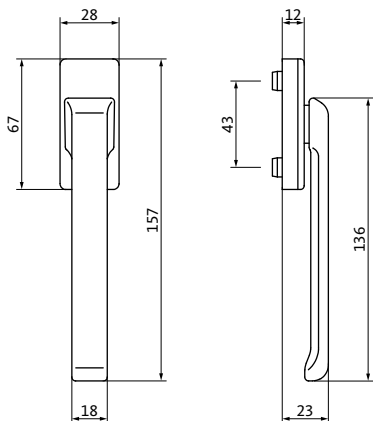
| Technical data                                       |                   |
|--|-------------------|
| Material   | Aluminium         |
| Opening type   | Tilt-First window |
| DIN side of hinges                                   | left   right      |
| Hole pattern, distance between fastening points [mm] | 43                |
| Width of square spindle [mm]                         | 7                 |
| Length of square spindle [mm]                        | 29                |

| Finish        | PU | Order number    |
|---------------|----|-----------------|
| EV1 silver    | 20 | 6-31557-29-0-11 |
| brown         | 20 | 6-31557-29-0-5  |
| traffic white | 20 | 6-31557-29-0-7  |

Additional finishes and spindle lengths available on request.

# Aluminium turn handles

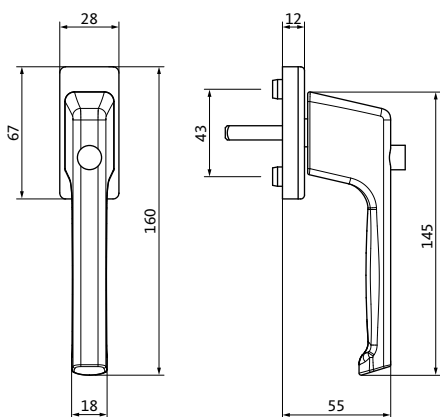
## DIRIGENT



### DIRIGENT-F/F turn handle

| Technical data                                       |  |
|--|--|
| Material   | Aluminium  |
| Version  | flat   |
| Opening type   | Tilt&Turn window   Tilt-First window   Turn-Only window   Tilt-Only window |
| DIN side of hinges                                   | left   right   |
| Hole pattern, distance between fastening points [mm] | 43   |
| Width of square spindle [mm]                         | 7  |
| Length of square spindle [mm]                        | -  |

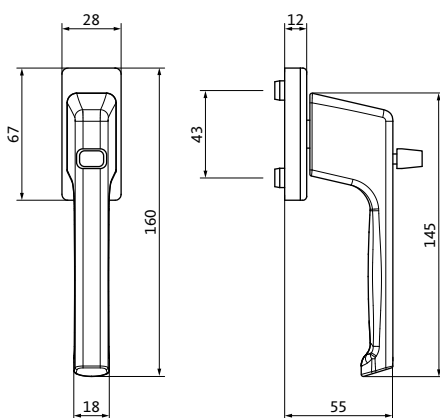
| Finish        | PU | Order number    |
|---------------|----|-----------------|
| EV1 silver    | 20 | 6-28101-00-0-11 |
| brown         | 20 | 6-28101-00-0-5  |
| traffic white | 20 | 6-28101-00-0-7  |



### DIRIGENT-F/KD turn handle

| Technical data                                       |  |
|--|--|
| Material   | Aluminium  |
| Version  | with push-button   |
| Opening type   | Tilt&Turn window   Tilt-First window   Turn-Only window   Tilt-Only window |
| DIN side of hinges                                   | left   right   |
| Hole pattern, distance between fastening points [mm] | 43   |
| Width of square spindle [mm]                         | 7  |
| Length of square spindle [mm]                        | 29   |

| Finish        | PU | Order number   |
|---------------|----|----------------|
| traffic white | 20 | 6-30268-29-0-7 |



### DIRIGENT-F/CHK turn handle

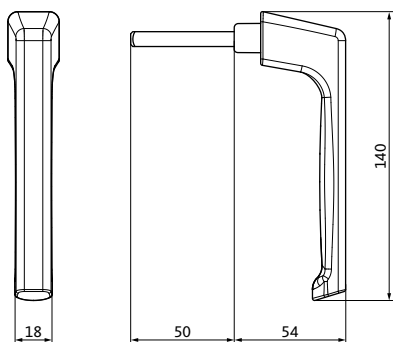
| Technical data                                       |  |
|--|--|
| Material   | Aluminium  |
| Version  | with Swiss night lock  |
| Opening type   | Tilt&Turn window   Tilt-First window   Turn-Only window   Tilt-Only window |
| DIN side of hinges                                   | left   right   |
| Hole pattern, distance between fastening points [mm] | 43   |
| Width of square spindle [mm]                         | 7  |
| Length of square spindle [mm]                        | -  |

| Finish        | PU | Order number    |
|---------------|----|-----------------|
| EV1 silver    | 20 | 6-28096-00-0-11 |
| brown         | 20 | 6-28096-00-0-5  |
| traffic white | 20 | 6-28096-00-0-7  |

Additional finishes and spindle lengths available on request.

# Aluminium turn handles

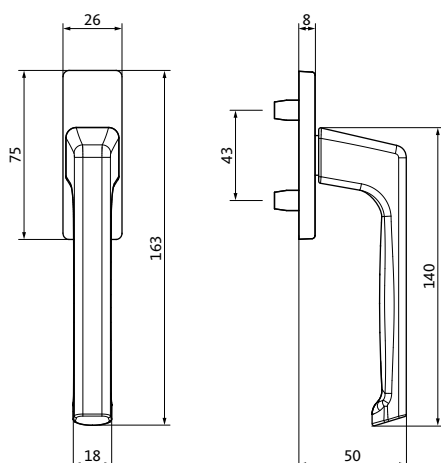
## DIRIGENT



### DIRIGENT-F/SG turn handle

| Technical data                                       |  |
|--|--|
| Material   | Aluminium  |
| Version  | Service handle   |
| Opening type   | Tilt&Turn window   Tilt-First window   Turn-Only window   Tilt-Only window |
| DIN side of hinges                                   | left   right   |
| Hole pattern, distance between fastening points [mm] | -  |
| Width of square spindle [mm]                         | 7  |
| Length of square spindle [mm]                        | 50   |

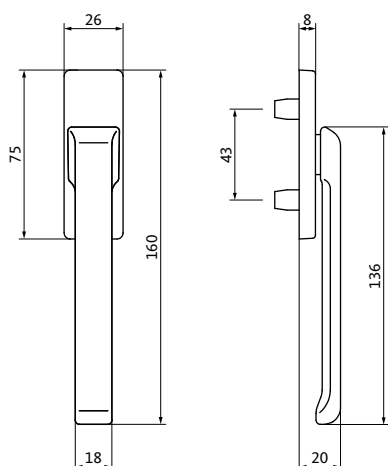
| Finish        | PU | Order number   |
|---------------|----|----------------|
| traffic white | 20 | 8-00694-50-0-7 |



### DIRIGENT-F/A exterior turn handle

| Technical data                                       |  |
|--|--|
| Material   | Aluminium  |
| Opening type   | Tilt&Turn window   Tilt-First window   Turn-Only window   Tilt-Only window |
| DIN side of hinges                                   | left   right   |
| Hole pattern, distance between fastening points [mm] | 43   |
| Width of square spindle [mm]                         | 7  |
| Length of square spindle [mm]                        | -  |

| Finish        | PU | Order number   |
|---------------|----|----------------|
| EV1 silver    | 20 | 6-25993-00-0-1 |
| brown         | 20 | 6-25993-00-0-5 |
| traffic white | 20 | 6-25993-00-0-7 |



### DIRIGENT-F/AF exterior turn handle

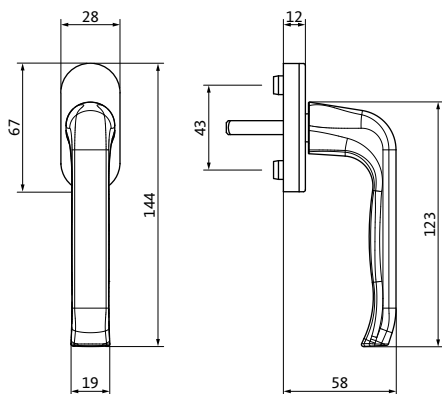
| Technical data                                       |  |
|--|--|
| Material   | Aluminium  |
| Version  | flat   |
| Opening type   | Tilt&Turn window   Tilt-First window   Turn-Only window   Tilt-Only window |
| DIN side of hinges                                   | left   right   |
| Hole pattern, distance between fastening points [mm] | 43   |
| Width of square spindle [mm]                         | 7  |
| Length of square spindle [mm]                        | -  |

| Finish        | PU | Order number   |
|---------------|----|----------------|
| EV1 silver    | 20 | 6-25223-00-0-1 |
| brown         | 20 | 6-25223-00-0-5 |
| traffic white | 20 | 6-25223-00-0-7 |

Additional finishes and spindle lengths available on request.

# Aluminium turn handles

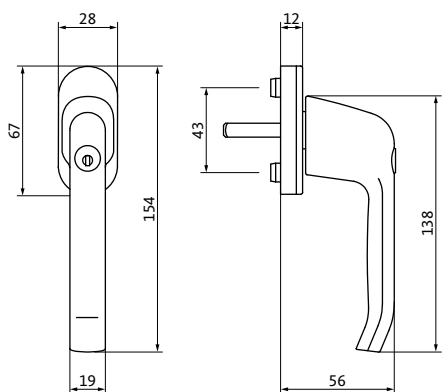
## ADAGIO



### ADAGIO-F turn handle

| Technical data                                       |  |
|--|--|
| Material   | Aluminium  |
| Opening type   | Tilt&Turn window   Tilt-First window   Turn-Only window   Tilt-Only window |
| DIN side of hinges                                   | left   right   |
| Hole pattern, distance between fastening points [mm] | 43   |
| Width of square spindle [mm]                         | 7  |
| Length of square spindle [mm]                        | 29   |

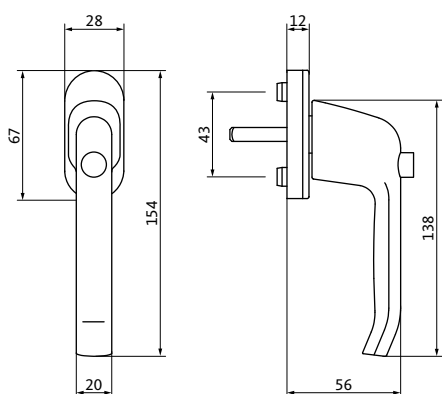
| Finish        | PU | Order number   |
|---------------|----|----------------|
| brown         | 20 | 6-29548-29-0-5 |
| traffic white | 20 | 6-29548-29-0-7 |



### ADAGIO-F/Z turn handle, lockable

| Technical data                                       |  |
|--|--|
| Material   | Aluminium  |
| Version  | with push lock   |
| Opening type   | Tilt&Turn window   Tilt-First window   Turn-Only window   Tilt-Only window |
| DIN side of hinges                                   | left   right   |
| Hole pattern, distance between fastening points [mm] | 43   |
| Width of square spindle [mm]                         | 7  |
| Length of square spindle [mm]                        | 29   |

| Finish        | PU | Order number   |
|---------------|----|----------------|
| traffic white | 20 | 6-29549-29-0-7 |



### ADAGIO-F/KD turn handle

| Technical data                                       |  |
|--|--|
| Material   | Aluminium  |
| Version  | with push-button   |
| Opening type   | Tilt&Turn window   Tilt-First window   Turn-Only window   Tilt-Only window |
| DIN side of hinges                                   | left   right   |
| Hole pattern, distance between fastening points [mm] | 43   |
| Width of square spindle [mm]                         | 7  |
| Length of square spindle [mm]                        | 29   |

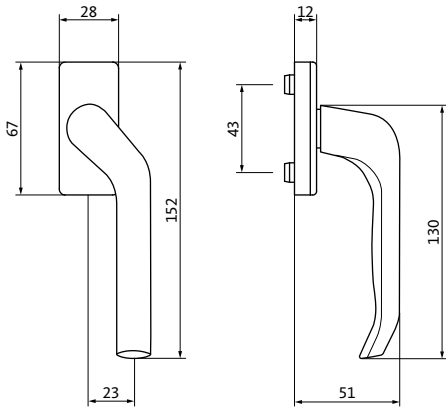
| Finish        | PU | Order number   |
|---------------|----|----------------|
| traffic white | 20 | 6-29890-29-0-7 |

Additional finishes and spindle lengths available on request.



# Aluminium turn handles

## ADAGIO



### ADAGIO-F/G turn handle

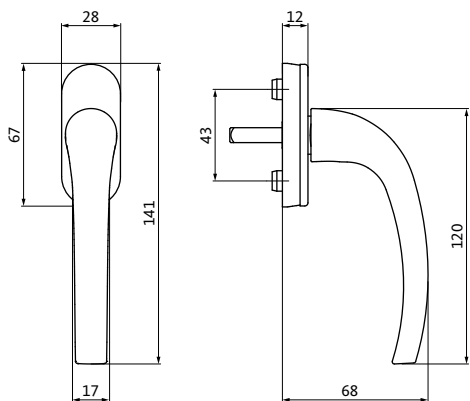
| Technical data                                       |  |
|--|--|
| Material   | Aluminium  |
| Version  | cranked  |
| Opening type   | Tilt&Turn window   Tilt-First window   Turn-Only window   Tilt-Only window |
| Hole pattern, distance between fastening points [mm] | 43   |
| Width of square spindle [mm]                         | 7  |
| Length of square spindle [mm]                        | -  |

| DIN side of hinges | Finish        | PU | Order number    |
|--------------------|---------------|----|-----------------|
| left               | EV1 silver    | 20 | 6-31323-00-0-11 |
|                    | brown         | 20 | 6-31323-00-0-5  |
|                    | traffic white | 20 | 6-31323-00-0-7  |
| right              | EV1 silver    | 20 | 6-31221-00-0-11 |
|                    | brown         | 20 | 6-31221-00-0-5  |
|                    | traffic white | 20 | 6-31221-00-0-7  |

Additional finishes and spindle lengths available on request.

# Aluminium turn handles

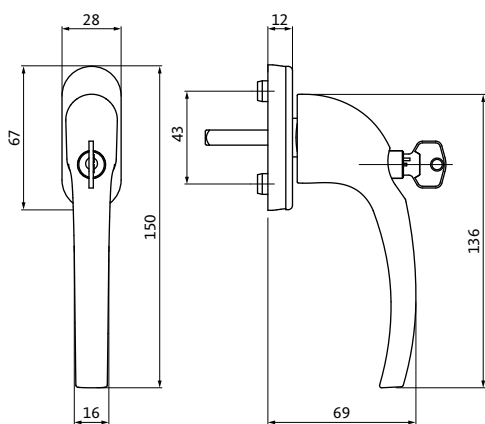
## MODENA



### MODENA-F turn handle

| Technical data                                       |  |
|--|--|
| Material   | Aluminium  |
| Opening type   | Tilt&Turn window   Tilt-First window   Turn-Only window   Tilt-Only window |
| DIN side of hinges                                   | left   right   |
| Hole pattern, distance between fastening points [mm] | 43   |
| Width of square spindle [mm]                         | 7  |
| Length of square spindle [mm]                        | 29   |

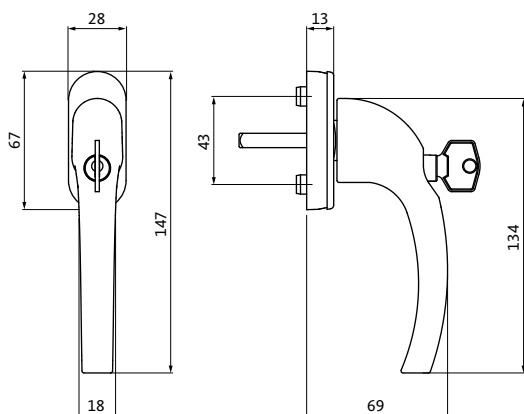
| Finish        | PU | Order number    |
|---------------|----|-----------------|
| EV1 silver    | 20 | 6-31977-29-0-11 |
| brown         | 20 | 6-31977-29-0-5  |
| traffic white | 20 | 6-31977-29-0-7  |



### MODENA-F/Z turn handle, lockable

| Technical data                                       |  |
|--|--|
| Material   | Aluminium  |
| Version  | with push lock   |
| Opening type   | Tilt&Turn window   Tilt-First window   Turn-Only window   Tilt-Only window |
| DIN side of hinges                                   | left   right   |
| Hole pattern, distance between fastening points [mm] | 43   |
| Width of square spindle [mm]                         | 7  |
| Length of square spindle [mm]                        | 29   |

| Finish        | PU | Order number    |
|---------------|----|-----------------|
| EV1 silver    | 20 | 6-31978-29-0-11 |
| traffic white | 20 | 6-31978-29-0-7  |



### MODENA-F/Z turn handle, lockable 100 Nm

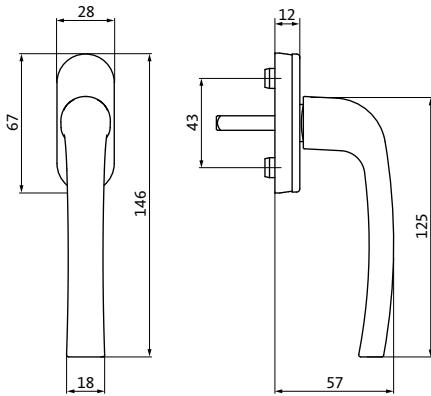
| Technical data                                       |  |
|--|--|
| Material   | Aluminium  |
| Version  | with push lock   |
| Opening type   | Tilt&Turn window   Tilt-First window   Turn-Only window   Tilt-Only window |
| DIN side of hinges                                   | left   right   |
| Burglar resistance class                             | RC2   RC3  |
| Hole pattern, distance between fastening points [mm] | 43   |
| Width of square spindle [mm]                         | 7  |
| Length of square spindle [mm]                        | 29   |

| Finish        | PU | Order number   |
|---------------|----|----------------|
| traffic white | 20 | 6-34397-29-0-7 |

Additional finishes and spindle lengths available on request.

# Aluminium turn handles

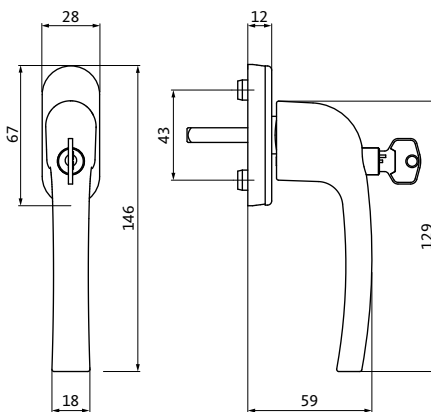
## SOPRANO



### SOPRANO-F turn handle

| Technical data                                       |  |
|--|--|
| Material   | Aluminium  |
| Opening type   | Tilt&Turn window   Tilt-First window   Turn-Only window   Tilt-Only window |
| DIN side of hinges                                   | left   right   |
| Hole pattern, distance between fastening points [mm] | 43   |
| Width of square spindle [mm]                         | 7  |
| Length of square spindle [mm]                        | 29   |

| Finish        | PU | Order number    |
|---------------|----|-----------------|
| EV1 silver    | 20 | U-71984-29-0-11 |
| brown         | 20 | U-71984-29-0-5  |
| traffic white | 20 | U-71984-29-0-7  |



### SOPRANO-F/Z turn handle, lockable

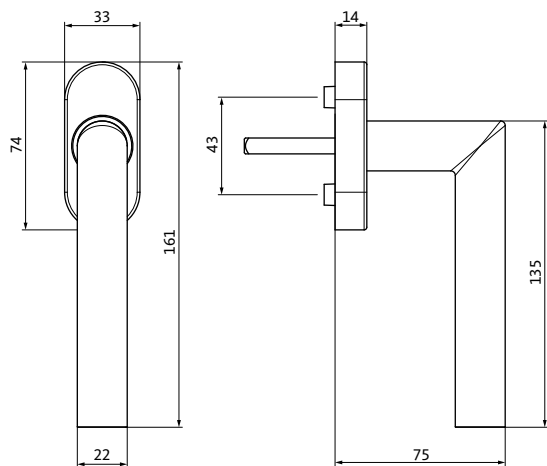
| Technical data                                       |  |
|--|--|
| Material   | Aluminium  |
| Version  | with push lock   |
| Opening type   | Tilt&Turn window   Tilt-First window   Turn-Only window   Tilt-Only window |
| DIN side of hinges                                   | left   right   |
| Hole pattern, distance between fastening points [mm] | 43   |
| Width of square spindle [mm]                         | 7  |
| Length of square spindle [mm]                        | 29   |

| Finish        | PU | Order number    |
|---------------|----|-----------------|
| EV1 silver    | 20 | U-71987-29-0-11 |
| brown         | 20 | U-71987-29-0-5  |
| traffic white | 20 | U-71987-29-0-7  |

Additional finishes and spindle lengths available on request.

# Aluminium turn handles

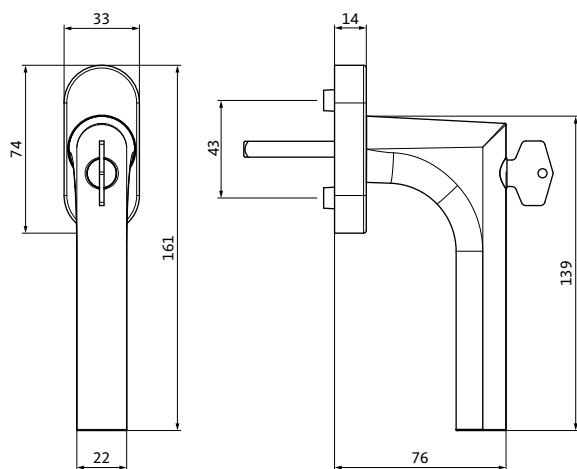
## BELCANTO



### BELCANTO-F turn handle

| Technical data                                       |  |
|--|--|
| Material   | Aluminium  |
| Opening type   | Tilt&Turn window   Tilt-First window   Turn-Only window   Tilt-Only window |
| DIN side of hinges                                   | left   right   |
| Hole pattern, distance between fastening points [mm] | 43   |
| Width of square spindle [mm]                         | 7  |
| Length of square spindle [mm]                        | 29   |

| Finish          | PU | Order number   |
|-----------------|----|----------------|
| EV1 silver      | 2  | H-01941-29-0-1 |
| brown           | 2  | H-01941-29-0-5 |
| black           | 2  | H-01941-29-0-6 |
| traffic white   | 2  | H-01941-29-0-7 |
| titanium colour | 2  | H-01941-29-0-C |



### BELCANTO-F/Z turn handle, lockable

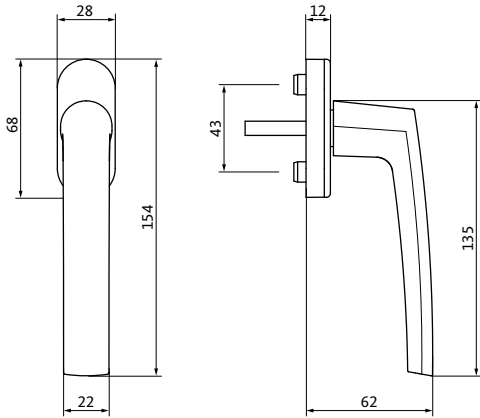
| Technical data                                       |  |
|--|--|
| Material   | Aluminium  |
| Version  | with push lock   |
| Opening type   | Tilt&Turn window   Tilt-First window   Turn-Only window   Tilt-Only window |
| DIN side of hinges                                   | left   right   |
| Hole pattern, distance between fastening points [mm] | 43   |
| Width of square spindle [mm]                         | 7  |
| Length of square spindle [mm]                        | 29   |

| Finish          | PU | Order number   |
|-----------------|----|----------------|
| EV1 silver      | 2  | H-01942-29-0-1 |
| brown           | 2  | H-01942-29-0-5 |
| black           | 2  | H-01942-29-0-6 |
| traffic white   | 2  | H-01942-29-0-7 |
| titanium colour | 2  | H-01942-29-0-C |

Additional finishes and spindle lengths available on request.

# Aluminium turn handles

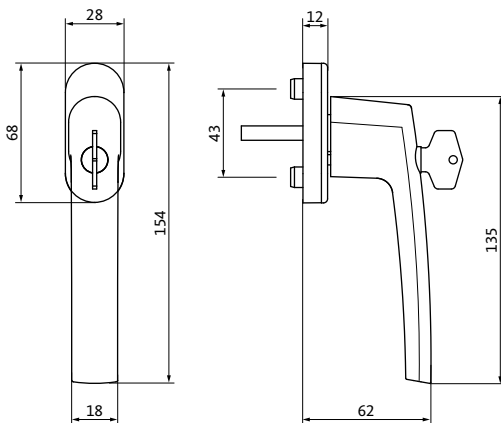
TENUTO



## TENUTO-F turn handle

| Technical data                                       |  |
|--|--|
| Material   | Aluminium  |
| Opening type   | Tilt&Turn window   Tilt-First window   Turn-Only window   Tilt-Only window |
| DIN side of hinges                                   | left   right   |
| Hole pattern, distance between fastening points [mm] | 43   |
| Width of square spindle [mm]                         | 7  |
| Length of square spindle [mm]                        | 29   |

| Finish          | PU | Order number   |
|-----------------|----|----------------|
| EV1 silver      | 20 | H-01944-29-0-1 |
| brown           | 20 | H-01944-29-0-5 |
| black           | 20 | H-01944-29-0-6 |
| traffic white   | 20 | H-01944-29-0-7 |
| titanium colour | 20 | H-01944-29-0-C |



## TENUTO-F/Z turn handle, lockable

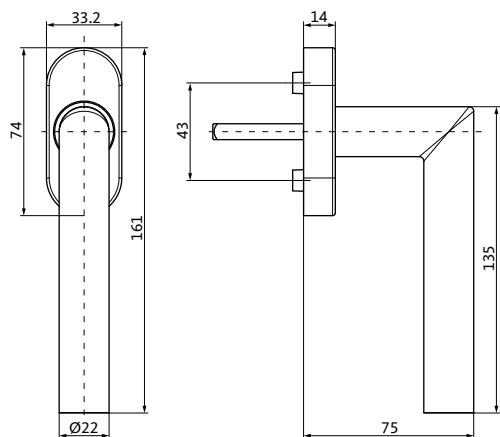
| Technical data                                       |  |
|--|--|
| Material   | Aluminium  |
| Version  | with push lock   |
| Opening type   | Tilt&Turn window   Tilt-First window   Turn-Only window   Tilt-Only window |
| DIN side of hinges                                   | left   right   |
| Hole pattern, distance between fastening points [mm] | 43   |
| Width of square spindle [mm]                         | 7  |
| Length of square spindle [mm]                        | 29   |

| Finish          | PU | Order number   |
|-----------------|----|----------------|
| EV1 silver      | 2  | H-01943-29-0-1 |
| brown           | 2  | H-01943-29-0-5 |
| black           | 2  | H-01943-29-0-6 |
| traffic white   | 2  | H-01943-29-0-7 |
| titanium colour | 2  | H-01943-29-0-C |

Additional finishes and spindle lengths available on request.

# Stainless-steel turn handles

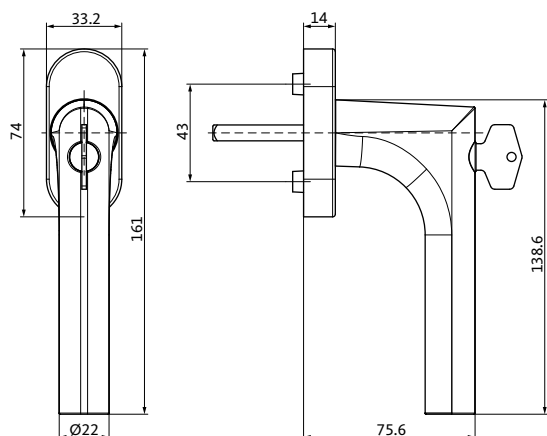
## BELCANTO



### BELCANTO turn handle

| Technical data                                       |  |
|--|--|
| Material   | Satin stainless steel  |
| Opening type   | Tilt&Turn window   Tilt-First window   Turn-Only window   Tilt-Only window |
| DIN side of hinges                                   | left   right   |
| Hole pattern, distance between fastening points [mm] | 43   |
| Width of square spindle [mm]                         | 7  |
| Length of square spindle [mm]                        | 29   |

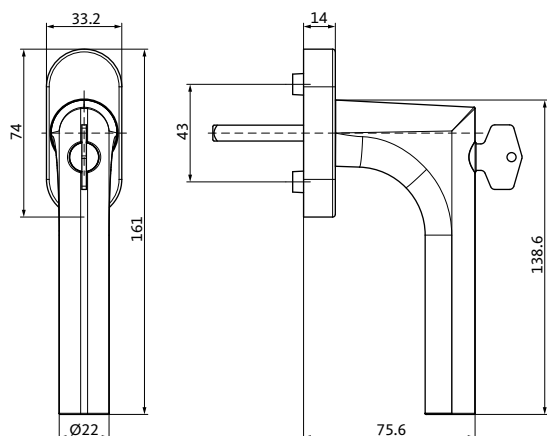
|  | PU | Order number   |
|--|----|----------------|
|  | 1  | B-78820-0W-0-8 |
|  | 20 | B-78820-0W-2-8 |



### BELCANTO turn handle, lockable, 100 Nm

| Technical data                                       |  |
|--|--|
| Material   | Satin stainless steel  |
| Opening type   | Tilt&Turn window   Tilt-First window   Turn-Only window   Tilt-Only window |
| DIN side of hinges                                   | left   right   |
| Hole pattern, distance between fastening points [mm] | 43   |
| Width of square spindle [mm]                         | 7  |
| Length of square spindle [mm]                        | 29   |

|  | PU | Order number   |
|--|----|----------------|
|  | 1  | B-78820-10-0-8 |



### BELCANTO turn handle Tilt-First, lockable

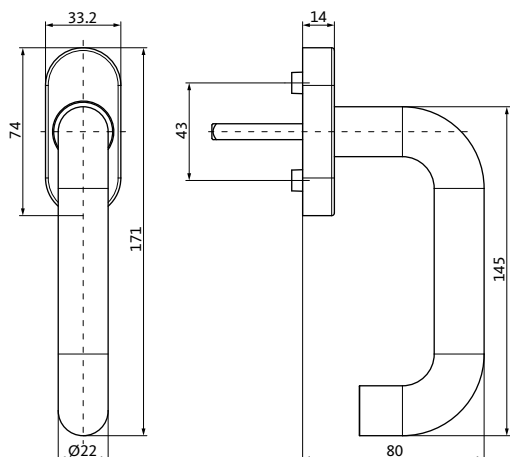
| Technical data                                       |                       |
|--|-----------------------|
| Material   | Satin stainless steel |
| Opening type   | Tilt-First window     |
| DIN side of hinges                                   | left   right          |
| Hole pattern, distance between fastening points [mm] | 43                    |
| Width of square spindle [mm]                         | 7                     |
| Length of square spindle [mm]                        | 29                    |

|  | PU | Order number   |
|--|----|----------------|
|  | 1  | B-78820-14-0-8 |

Additional spindle lengths available on request.

## Stainless-steel turn handles

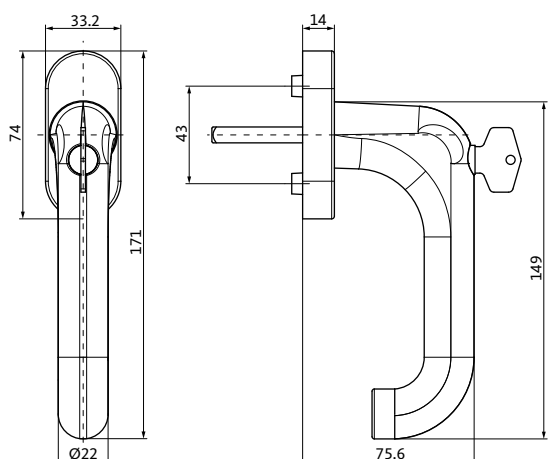
## RONDO



## RONDO turn handle

| Technical data                                       |  |
|--|--|
| Material   | Satin stainless steel  |
| Opening type   | Tilt&Turn window   Tilt-First window   Turn-Only window   Tilt-Only window |
| DIN side of hinges                                   | left   right   |
| Hole pattern, distance between fastening points [mm] | 43   |
| Width of square spindle [mm]                         | 7  |
| Length of square spindle [mm]                        | 29   |

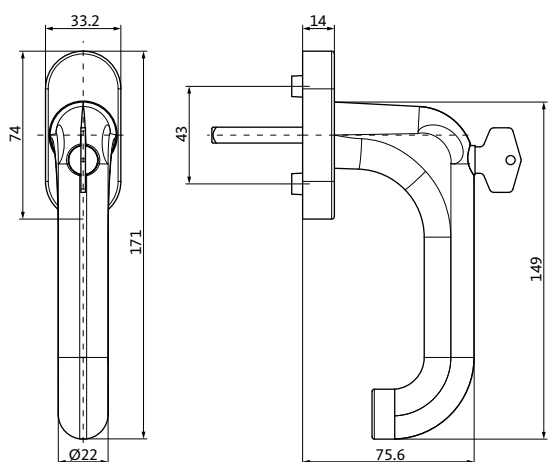
|  | PU | Order number   |
|--|----|----------------|
|  | 1  | B-78820-18-0-8 |
|  | 20 | B-78820-18-2-8 |



## RONDO turn handle, lockable, 100 Nm

| Technical data                                       |  |
|--|--|
| Material   | Satin stainless steel  |
| Opening type   | Tilt&Turn window   Tilt-First window   Turn-Only window   Tilt-Only window |
| DIN side of hinges                                   | left   right   |
| Hole pattern, distance between fastening points [mm] | 43   |
| Width of square spindle [mm]                         | 7  |
| Length of square spindle [mm]                        | 29   |

|  | PU | Order number   |
|--|----|----------------|
|  | 1  | B-78820-22-0-8 |



## RONDO turn handle Tilt-First, lockable

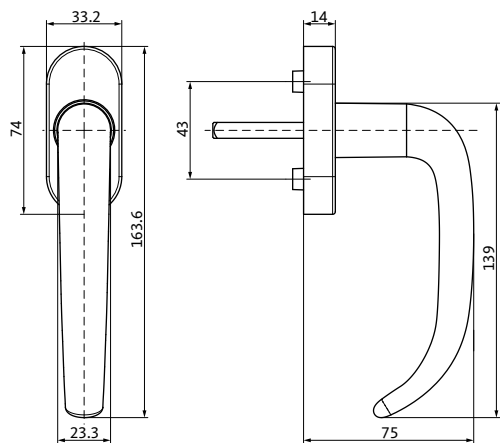
| Technical data                                       |                       |
|--|-----------------------|
| Material   | Satin stainless steel |
| Opening type   | Tilt-First window     |
| DIN side of hinges                                   | left   right          |
| Hole pattern, distance between fastening points [mm] | 43                    |
| Width of square spindle [mm]                         | 7                     |
| Length of square spindle [mm]                        | 29                    |

|  | PU | Order number   |
|--|----|----------------|
|  | 1  | B-78820-26-0-8 |

Additional spindle lengths available on request.

# Stainless-steel turn handles

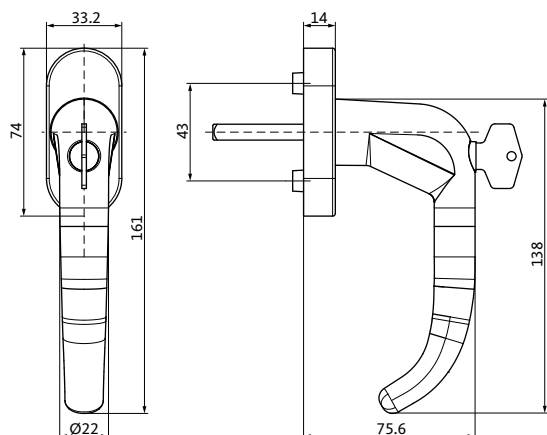
## TREMOLO



### TREMOLO turn handle

| Technical data                                       |  |
|--|--|
| Material   | Satin stainless steel  |
| Opening type   | Tilt&Turn window   Tilt-First window   Turn-Only window   Tilt-Only window |
| DIN side of hinges                                   | left   right   |
| Hole pattern, distance between fastening points [mm] | 43   |
| Width of square spindle [mm]                         | 7  |
| Length of square spindle [mm]                        | 29   |

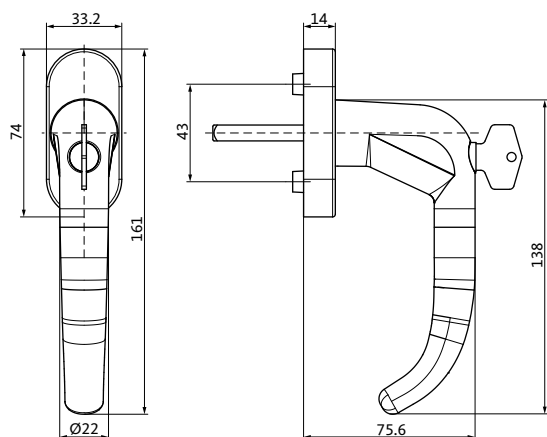
|  | PU | Order number   |
|--|----|----------------|
|  | 1  | B-78820-30-0-8 |



### TREMOLO turn handle, lockable, 100 Nm

| Technical data                                       |  |
|--|--|
| Material   | Satin stainless steel  |
| Opening type   | Tilt&Turn window   Tilt-First window   Turn-Only window   Tilt-Only window |
| DIN side of hinges                                   | left   right   |
| Hole pattern, distance between fastening points [mm] | 43   |
| Width of square spindle [mm]                         | 7  |
| Length of square spindle [mm]                        | 29   |

|  | PU | Order number   |
|--|----|----------------|
|  | 1  | B-78820-34-0-8 |



### TREMOLO turn handle Tilt-First, lockable

| Technical data                                       |                       |
|--|-----------------------|
| Material   | Satin stainless steel |
| Opening type   | Tilt-First window     |
| DIN side of hinges                                   | left   right          |
| Hole pattern, distance between fastening points [mm] | 43                    |
| Width of square spindle [mm]                         | 7                     |
| Length of square spindle [mm]                        | 29                    |

|  | PU | Order number   |
|--|----|----------------|
|  | 1  | B-78820-38-0-8 |

Additional spindle lengths available on request.



# Accessories for turn handles

## Surface-mounted lock



### Retrofittable security for Turn-Only and Tilt&Turn windows

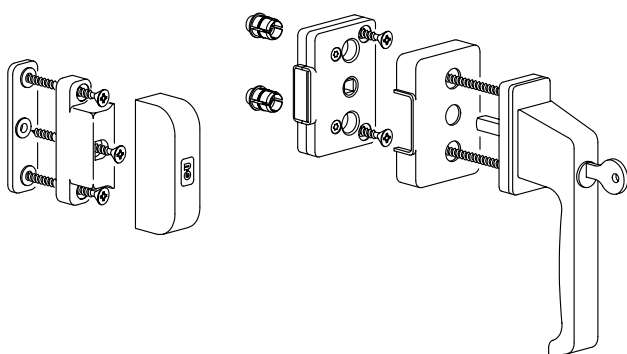
This product provides effective burglar protection and is easy to install. The lockable turn handle locks the window's central locking system. If the glass is broken or the window frame is drilled through, the locking system cannot be unlocked from the outside.

The metal deadbolt engages in the stable strike box with a deadbolt throw of 18 mm. This effectively prevents the window sash from being lifted out and forced open. The combined action of the lockable turn handle and the window surface-mounted lock produces a strong burglar-inhibiting effect.

The surface-mounted lock can be retrofitted to Turn-Only and Tilt&Turn sashes equipped with insertable gears. Suitable packers are used to compensate for the overlap height.

The surface-mounted lock locks the sash in the closed position in addition to the central locking system.

Installation is straightforward – the surface-mounted lock is screwed to the sash under the turn handle, then the strike box is positioned on the frame and securely fastened with screws. Installation instructions are enclosed.

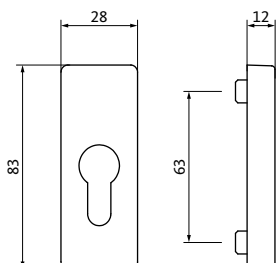


### Surface-mounted lock set with DIRIGENT F/Z turn handle

| Technical data  |        |                 |
|---|--------|-----------------|
| Overlap height [mm]   | 9.5–12 |                 |
| Lateral space requirement [mm]  | 32     |                 |
| For detailed information on the space requirement at the side, refer to the assembly drawing M-00009-00.  |        |                 |
| Finish  | PU     | Order number    |
| EV1/F1  | 2      | K-14662-00-0-11 |
| dark brown  | 2      | K-14662-00-0-5  |
| white (RAL 9016)  | 2      | K-14662-00-0-7  |
| Contains: 1 x turn handle, 1 x square spindle, 1 x surface-mounted lock, 2 x cover cap, 4 x bushing, 1 x strike box, 4 x packer, 9 x fixing screw |        |                 |

# Accessories for turn handles

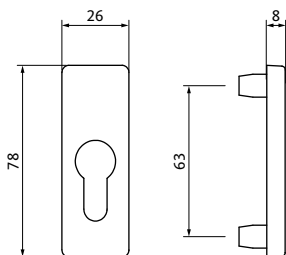
## Rosettes, pull handle



### PC inside rosette

| Technical data |                  |
|----------------|------------------|
| Version        | with lug Ø 10 mm |

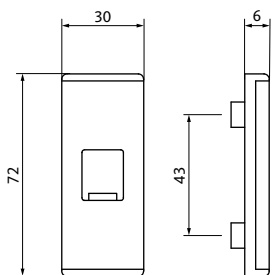
| Shape  | Finish | PU | Order number   |
|--------|--------|----|----------------|
| square | silver | 20 | K-17205-02-0-1 |
|        | brown  | 20 | K-17205-02-0-5 |
|        | white  | 20 | K-17205-02-0-7 |
| oval   | silver | 20 | K-17204-02-0-1 |
|        | brown  | 20 | K-17204-02-0-5 |
|        | white  | 20 | K-17204-02-0-7 |



### PC outside rosette

| Technical data |                      |
|----------------|----------------------|
| Version        | Threaded lug Ø 10 mm |

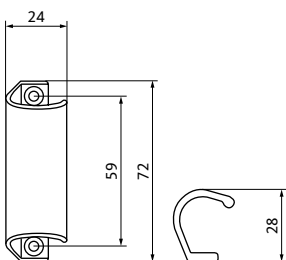
| Shape  | Finish | PU | Order number   |
|--------|--------|----|----------------|
| square | silver | 20 | 9-43605-02-0-1 |
|        | brown  | 20 | 9-43605-02-0-5 |
|        | white  | 20 | 9-43605-02-0-7 |
| oval   | silver | 20 | 9-43582-02-0-1 |
|        | white  | 20 | 9-43582-02-0-7 |



### Interior cover rosette/F

| Technical data |                                       |
|----------------|---------------------------------------|
| Version        | with slide shutter for service handle |

| Finish | PU | Order number    |
|--------|----|-----------------|
| silver | 20 | 6-24913-00-0-11 |
| brown  | 20 | 6-24913-00-0-5  |
| white  | 20 | 6-24913-00-0-7  |

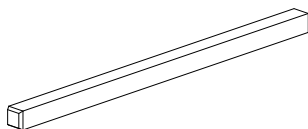


### Pull handle, outside

| Finish | PU | Order number   |
|--------|----|----------------|
| silver | 50 | 9-22921-00-0-1 |
| brown  | 50 | 9-22921-00-0-5 |
| White  | 50 | 9-22921-00-0-7 |

# Accessories for turn handles

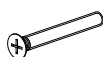
## Square spindles, countersunk screws



### Square spindle

| Technical data               |   |
|------------------------------|---|
| Width of square spindle [mm] | 7 |

| Length of square spindle [mm] | Sash thickness [mm] | PU | Order number   |
|-------------------------------|---------------------|----|----------------|
| 118                           | 56-68               | 20 | 9-26874-56-0-1 |
| 131                           | 69-80               | 20 | 9-26874-69-0-1 |
| 143                           | 81-92               | 20 | 9-26874-81-0-1 |



### Countersunk screw M5

| Technical data |                                |
|----------------|--------------------------------|
| Use            | For fastening the turn handles |

| Operation inside |                               |     |                |
|------------------|-------------------------------|-----|----------------|
| Dimensions [mm]  | Length of square spindle [mm] | PU  | Order number   |
| M5 x 40          | 29 and 33                     | 400 | 9-13255-40-0-1 |
| M5 x 50          | 38                            | 400 | 9-13255-50-R-1 |

| Operation from both sides |                     |     |                |
|---------------------------|---------------------|-----|----------------|
| Dimensions [mm]           | Sash thickness [mm] | PU  | Order number   |
| M5 x 60                   | 50-54               | 400 | 9-13255-60-0-1 |
| M5 x 65                   | 55-59               | 400 | 9-13255-65-R-1 |
| M5 x 70                   | 60-64               | 400 | 9-13255-70-R-1 |
| M5 x 75                   | 65-69               | 400 | 9-13255-75-R-1 |
| M5 x 80                   | 70-74               | 400 | 9-13255-80-R-1 |
| M5 x 90                   | 75-80               | 400 | 9-13255-90-R-1 |



### Adapter sleeve

| Technical data |   |
|----------------|---|
| Use            | For increasing the size of the threaded lugs from Ø 10 to Ø 12 mm |

|  | PU  | Order number   |
|--|-----|----------------|
|  | 100 | 9-40496-00-0-0 |

# Rosette-free turn handles



## Rosette-free turn handle

| Technical data                                       |  |
|--|--|
| Version  | can only be used with insertable gear K-20050                              |
| Opening type   | Tilt&Turn window   Tilt-First window   Turn-Only window   Tilt-Only window |
| DIN side of hinges                                   | left   right   |
| Hole pattern, distance between fastening points [mm] | 17   |
| Min. sash overlap height [mm]                        | 7  |
| Max. sash overlap height [mm]                        | 12   |
| Installation tool                                    | Hexagon socket size 3  |

| Finish     | PU | Order number   |
|------------|----|----------------|
| EV1 silver | 10 | 6-40186-00-0-1 |
| black      | 10 | 6-40186-00-0-6 |



## Rosette-free turn handle, lockable

| Technical data                                       |  |
|--|--|
| Version  | can only be used with insertable gear K-20050                              |
| Opening type   | Tilt&Turn window   Tilt-First window   Turn-Only window   Tilt-Only window |
| DIN side of hinges                                   | left   right   |
| Hole pattern, distance between fastening points [mm] | 17   |
| Finish   | EV1 silver   |
| Min. sash overlap height [mm]                        | 7  |
| Max. sash overlap height [mm]                        | 12   |
| Installation tool                                    | Hexagon socket size 3  |

|  | PU | Order number   |
|--|----|----------------|
|  | 10 | K-20048-00-0-1 |



## Rosette-free Tilt-First turn handle, lockable

| Technical data                                       |   |
|--|---|
| Version  | can only be used with insertable gear K-20050 |
| Opening type   | Tilt-First window                             |
| Hole pattern, distance between fastening points [mm] | 17  |
| Finish   | EV1 silver                                    |
| Min. sash overlap height [mm]                        | 7   |
| Max. sash overlap height [mm]                        | 12  |
| Installation tool                                    | Hexagon socket size 3                         |

| DIN side of hinges | PU | Order number   |
|--------------------|----|----------------|
| left               | 10 | K-20049-00-L-1 |
| right              | 10 | K-20049-00-R-1 |







### Limiting stays

168

### Turn blockers

170

### Bullet-catches

171

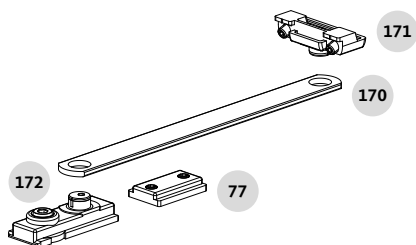
### Locking and opening monitoring

172

### Mounting tools

|                  |     |
|------------------|-----|
| Adjustment tools | 174 |
| Drilling jigs    | 175 |
| Punches          | 177 |
| Positioning jigs | 178 |

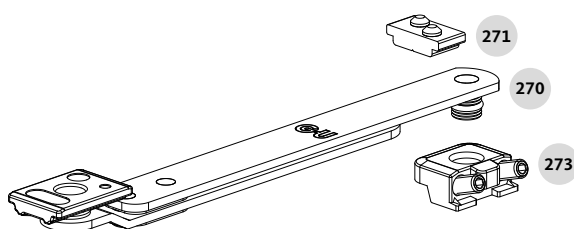
# Limiting stays



## Limiting stay set with brake

| Technical data     |   |
|--------------------|---|
| Opening type       | Tilt&Turn window   Tilt-First window   Turn-Only window   Tilt-Only window   Dummy-mullion sash |
| DIN side of hinges | left   right  |
| Finish             | ferGUard*silver   |
| Frame groove [mm]  | 10/14   12/15   14/18   |
| Type of fixing     | clampable   |
| Installation tool  | Hexagon socket size 2.5   |
| Adjusting tool     | Hexagon socket size 2.5   Hexagon socket size 4   |

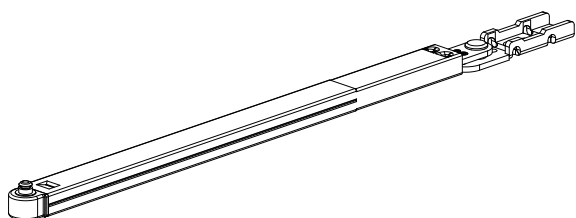
| Version                | PU | Order number   |
|------------------------|----|----------------|
| Stay arm length 150 mm | 10 | K-17138-15-0-1 |
| Stay arm length 250 mm | 10 | K-17138-25-0-1 |



## Turn-restrictor

| Technical data     |  |
|--------------------|--|
| Opening type       | Tilt&Turn window   Tilt-First window   Turn-Only window   Dummy-mullion sash |
| DIN side of hinges | left   right   |
| Finish             | ferGUard*silver  |
| Frame groove [mm]  | 10/14   12/15   14/18  |
| Type of fixing     | clampable  |
| Installation tool  | Hexagon socket size 2.5  |
| Adjusting tool     | Hexagon socket size 2.5  |

|  | PU | Order number   |
|--|----|----------------|
|  | 10 | K-19644-00-0-1 |



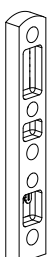
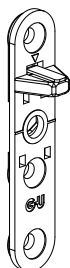
## EGO-FL window friction stay

| Technical data     |  |
|--------------------|--|
| Version            | only in combination with accessories set EURO-SOLID / EGO-B/-FL K-14686      |
| Opening type       | Tilt&Turn window   Tilt-First window   Turn-Only window   Dummy-mullion sash |
| DIN side of hinges | left   right   |
| Finish             | stainless steel  |
| Frame groove [mm]  | 10/14   12/15   14/18  |
| Type of fixing     | screw-on   |
| Installation tool  | -  |

| Min. sash width [mm] | Max. sash width [mm] | PU | Order number   |
|----------------------|----------------------|----|----------------|
| 500                  | 750                  | 10 | 6-28730-01-0-8 |
| 751                  | 1700                 | 10 | 6-28730-00-0-8 |



# Limiting stays

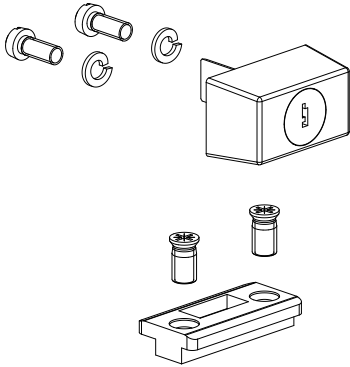


## Accessories set EURO-SOLID / EGO-B / EGO-FL

| Technical data     |   |
|--------------------|---|
| Opening type       | Tilt&Turn window   Tilt-First window   Turn-Only window   Tilt-Only window   Dummy-mullion sash |
| DIN side of hinges | left   right  |
| Finish             | ferGUard*silver   |
| Frame groove [mm]  | 10/14   12/15   14/18   |
| Type of fixing     | screw-on  |
| Installation tool  | -   |

|  | PU | Order number   |
|--|----|----------------|
|  | 10 | K-14686-00-0-1 |

# Turn blockers

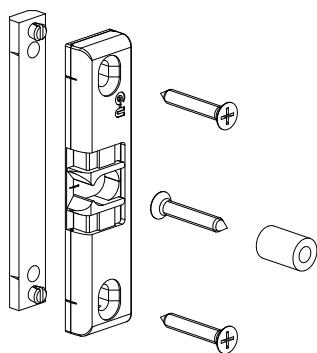


## Turn blocker set, aluminium

| Technical data                |                                      |
|-------------------------------|--------------------------------------|
| Version                       | surface-mounted   with key           |
| Opening type                  | Tilt&Turn window   Tilt-First window |
| DIN side of hinges            | left   right                         |
| Frame groove [mm]             | 10/14   12/15   14/18                |
| Min. sash overlap height [mm] | 7.5                                  |
| Max. sash overlap height [mm] | 8.5                                  |
| Type of fixing                | screw-on                             |
| Installation tool             | Philips PZ2   slot                   |

| Finish                              | PU | Order number   |
|-------------------------------------|----|----------------|
| EV1 silver                          | 10 | K-12968-00-0-1 |
| dark bronze                         | 10 | K-12968-00-0-5 |
| traffic white                       | 10 | K-12968-00-0-7 |
| special colour available on request | 10 | K-12968-00-0-9 |

# Bullet-catches

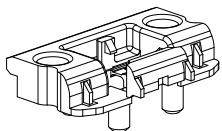


## Bullet-catch set

| Technical data     |   |
|--------------------|---|
| Opening type       | Tilt&Turn window   Tilt-First window   Turn-Only window |
| DIN side of hinges | left   right  |
| Finish             | ferGUard*silver   |
| Frame groove [mm]  | 10/14   12/15   14/18                                   |
| Type of fixing     | screw-on  |
| Installation tool  | Philips PH 2  |

|  | PU | Order number   |
|--|----|----------------|
|  | 10 | K-12962-00-0-1 |

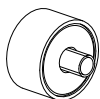
# Locking and opening monitoring



## Installation set ALU-JET sensor

| Technical data |   |
|----------------|---|
| Use            | with change-over contact   VdS B   VdS C  |
| Opening type   | Tilt&Turn window   Tilt-First window   Turn-Only window   Tilt-Only window   Dummy-mullion sash |

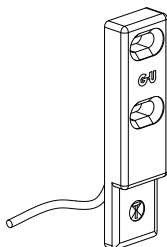
|  | PU | Order number   |
|--|----|----------------|
|  | 10 | K-20557-00-0-0 |



## Magnet opening and locking monitoring

| Technical data |   |
|----------------|---|
| Use            | with changeover contact   VdS B   |
| Opening type   | Tilt&Turn window   Tilt-First window   Turn-Only window   Tilt-Only window   Dummy-mullion sash |

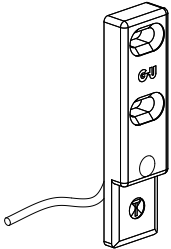
|  | PU | Order number   |
|--|----|----------------|
|  | 10 | 9-45175-00-0-7 |



## Sensor opening monitoring

| Technical data   |   |
|------------------|---|
| Use              | with changeover contact   |
| Opening type     | Tilt&Turn window   Tilt-First window   Turn-Only window   Tilt-Only window   Dummy-mullion sash |
| Cable length [m] | 4   |

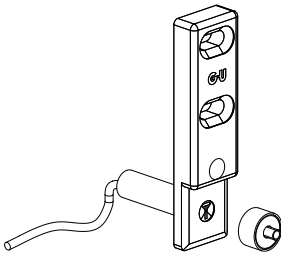
|  | PU | Order number   |
|--|----|----------------|
|  | 10 | K-14970-01-0-1 |



## Sensor opening and locking monitoring

| Technical data |   |
|----------------|---|
| Use            | VdS B   |
| Opening type   | Tilt&Turn window   Tilt-First window   Turn-Only window   Tilt-Only window   Dummy-mullion sash |

| Cable length [m] | PU | Order number   |
|------------------|----|----------------|
| 4                | 10 | K-14970-00-0-1 |
| 6                | 10 | K-14970-06-0-1 |
| 10               | 10 | K-14970-10-0-1 |



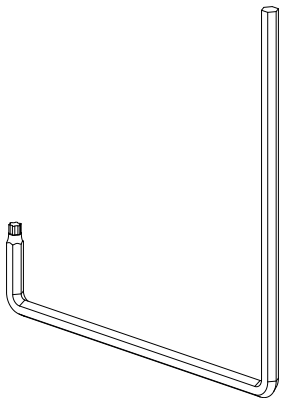
## Sensor opening and locking monitoring

| Technical data |   |
|----------------|---|
| Use            | VdS C   |
| Opening type   | Tilt&Turn window   Tilt-First window   Turn-Only window   Tilt-Only window   Dummy-mullion sash |

| Cable length [m] | PU | Order number   |
|------------------|----|----------------|
| 4                | 10 | K-14970-03-0-1 |
| 6                | 10 | K-14970-36-0-1 |
| 10               | 10 | K-14970-40-0-1 |

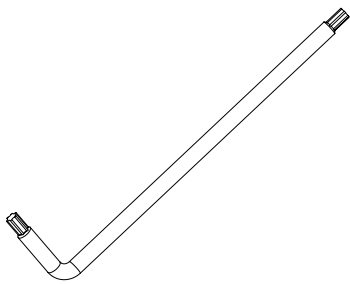
# Mounting tools

## Adjustment tools



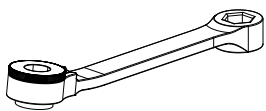
**Allen key size 4**

|  | PU | Order number   |
|--|----|----------------|
|  | 1  | 9-43631-64-0-6 |



**Hexalobular key L-shaped T15**

|  | PU | Order number   |
|--|----|----------------|
|  | 1  | 9-42886-00-0-0 |



**Switchable ratchet (90 mm without bits)**

|  | PU | Order number   |
|--|----|----------------|
|  | 1  | H-00821-00-0-0 |



**Bit size 4**

|  | PU | Order number   |
|--|----|----------------|
|  | 1  | H-01501-50-0-0 |

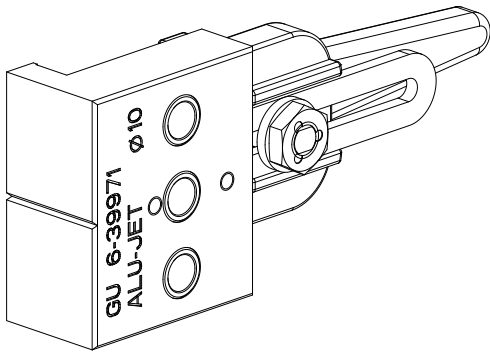


**Bit T15**

|  | PU | Order number   |
|--|----|----------------|
|  | 1  | H-00822-15-0-0 |

# Mounting tools

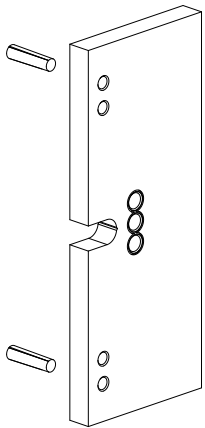
## Drilling jigs



### Drilling jig for insertable gear

| Technical data |   |
|----------------|---|
| Version        | for insertable gear K-21012 and K-21013 |
| Finish         | black                                   |

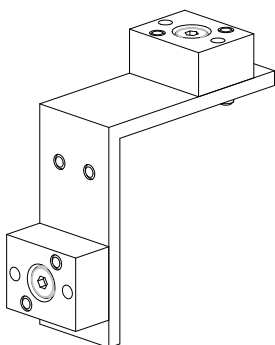
|  | PU | Order number   |
|--|----|----------------|
|  | 1  | 6-39971-00-0-6 |



### Drilling jig for insertable gear, rosette-free handle

| Technical data |                             |
|----------------|-----------------------------|
| Version        | for insertable gear K-20050 |
| Finish         | EV1 silver                  |

|  | PU | Order number   |
|--|----|----------------|
|  | 1  | K-20051-00-0-1 |



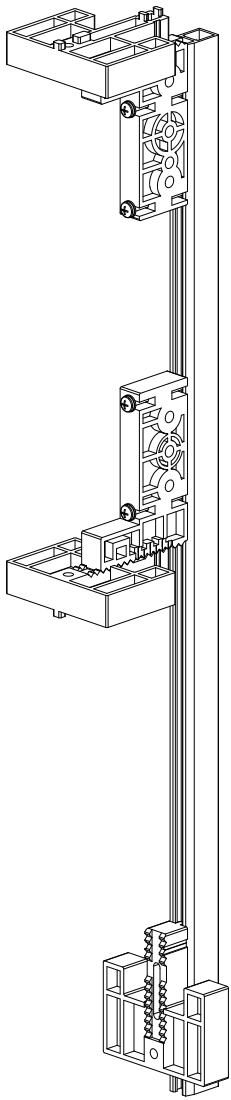
### Drilling jig for corner-drive S

| Technical data |                            |
|----------------|----------------------------|
| Version        | for corner-drive S 6-40912 |
| Finish         | untreated                  |

|  | PU | Order number   |
|--|----|----------------|
|  | 1  | 6-40966-01-0-0 |

# Mounting tools

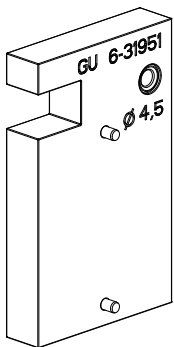
## Drilling jigs



### Drilling jig for insertable gear and centre-lock

| Technical data |  |
|----------------|--|
| Version        | for insertable gear 6-25916, 6-25917 and centre-lock 6-25918 |
| Finish         | blue   |

|  | PU | Order number   |
|--|----|----------------|
|  | 1  | 6-26191-00-0-2 |



### Drilling / mounting jig, stay-bearing support

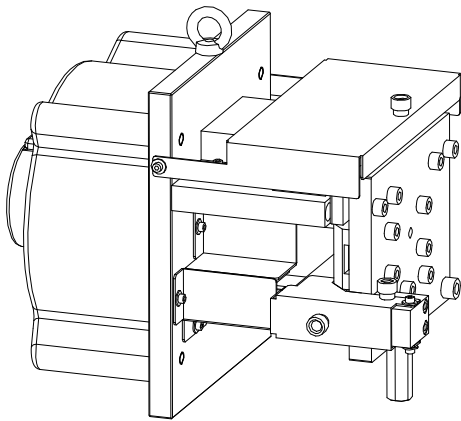
| Technical data |  |
|----------------|--|
| Version        | for stay-bearing support 9-41710 from set of additional parts for hinge-side K-16595 |
| Finish         | black  |

|  | PU | Order number   |
|--|----|----------------|
|  | 1  | 6-31951-00-0-6 |



# Mounting tools

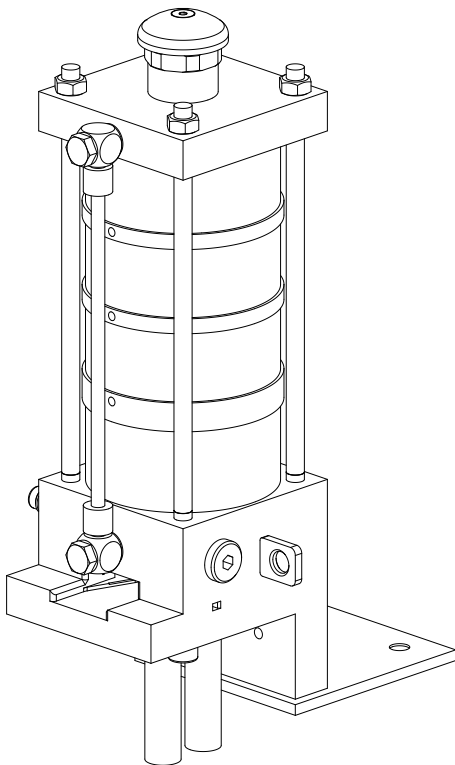
## Punches



### Pneumatic punch for profile machining

| Technical data                       |   |
|--------------------------------------|---|
| Version                              | for geared turn handle punching (HP 104), opening the connecting rod channel and punching of ALU-JET 06 connecting rod (Ø 6 mm) |
| Diameter of hole/engagement pin [mm] | 6   |

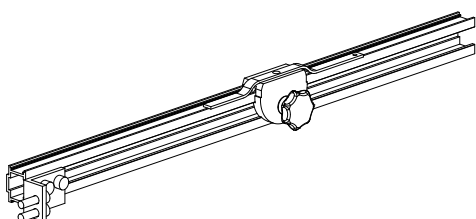
|  | PU | Order number   |
|--|----|----------------|
|  | 1  | 6-31957-00-0-0 |



### Pneumatic punch

| Technical data                       |  |
|--------------------------------------|--|
| Version                              | for punching and cutting to length of connecting rod (Ø 10 mm) |
| Diameter of hole/engagement pin [mm] | 10   |

|  | PU | Order number   |
|--|----|----------------|
|  | 1  | 6-39858-00-0-0 |



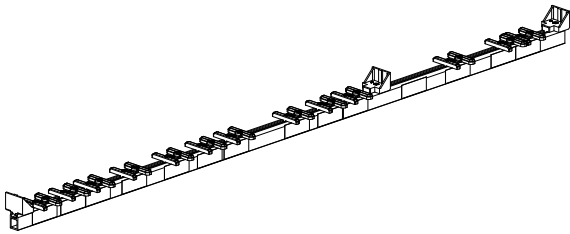
### Stop rail for punch

| Technical data |                             |
|----------------|-----------------------------|
| Version        | for pneumatic punch 6-39858 |

|  | PU | Order number   |
|--|----|----------------|
|  | 1  | 6-39859-00-0-0 |

# Mounting tools

## Positioning jigs



### Positioning jig for strikers

| Technical data |               |
|----------------|---------------|
| Finish         | blue   yellow |

| Version                       | PU | Order number   |
|-------------------------------|----|----------------|
| for strikers up to SH/SW 1200 | 1  | 6-39879-01-0-1 |
| for strikers from SH/SW 1201  | 1  | 6-39879-02-0-1 |
| for strikers RC2/RC3          | 1  | 6-39879-04-0-1 |
| for strikers RC2/RC3          | 1  | 6-39879-05-0-1 |
| for strikers RC3              | 1  | 6-39879-06-0-1 |







## List of abbreviations / Definition of terms

182

## Installation dimensions and space requirement

|  |     |
|--|-----|
| Central locking system   | 184 |
| Central locking dummy-mullion sash with central locking system in the sash groove (ST-FLN)     | 185 |
| Central locking dummy-mullion sash with central locking system in the double C groove (ST-DCN) | 186 |
| Hinge-sides  | 188 |

## Adjustment options

|  |     |
|--|-----|
| ALU-JET 510 surface-mounted hinge side | 192 |
| ALU-JET 710 surface-mounted hinge side | 193 |
| ALU-JET CC610 concealed hinge-side     | 194 |

## Application diagrams

|  |     |
|--|-----|
| ALU-JET 510 Tilt&Turn, Tilt-First, Turn-Only windows     | 195 |
| ALU-JET 710 Tilt&Turn, Tilt-First, Turn-Only windows     | 196 |
| ALU-JET CC610 Tilt&Turn, Tilt-First, Turn-Only windows   | 197 |
| ALU-JET 10 axial hinges for Turn-Only window             | 198 |
| ALU-JET S800 Turn-Only window                            | 202 |
| ALU-JET 10 Tilt-Only window   Surface-mounted hinge-side | 204 |
| ALU-JET 10 Tilt-Only window   Concealed hinge-side       | 206 |

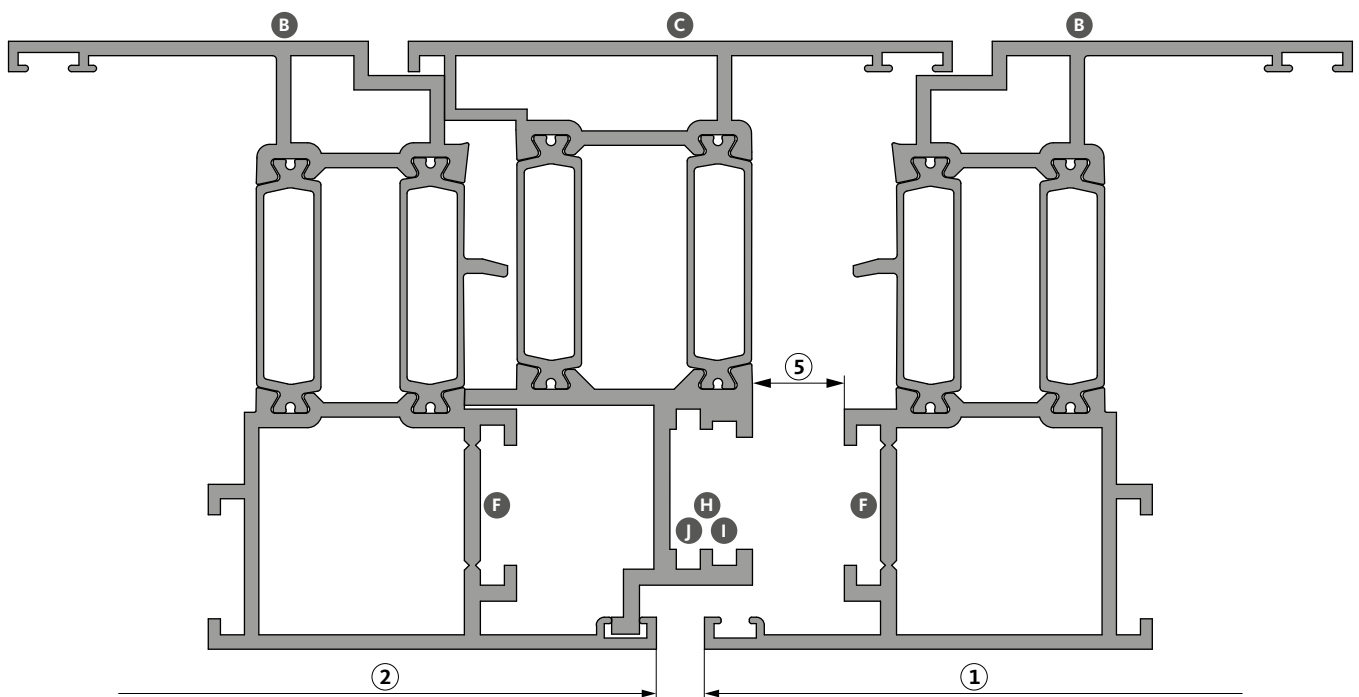
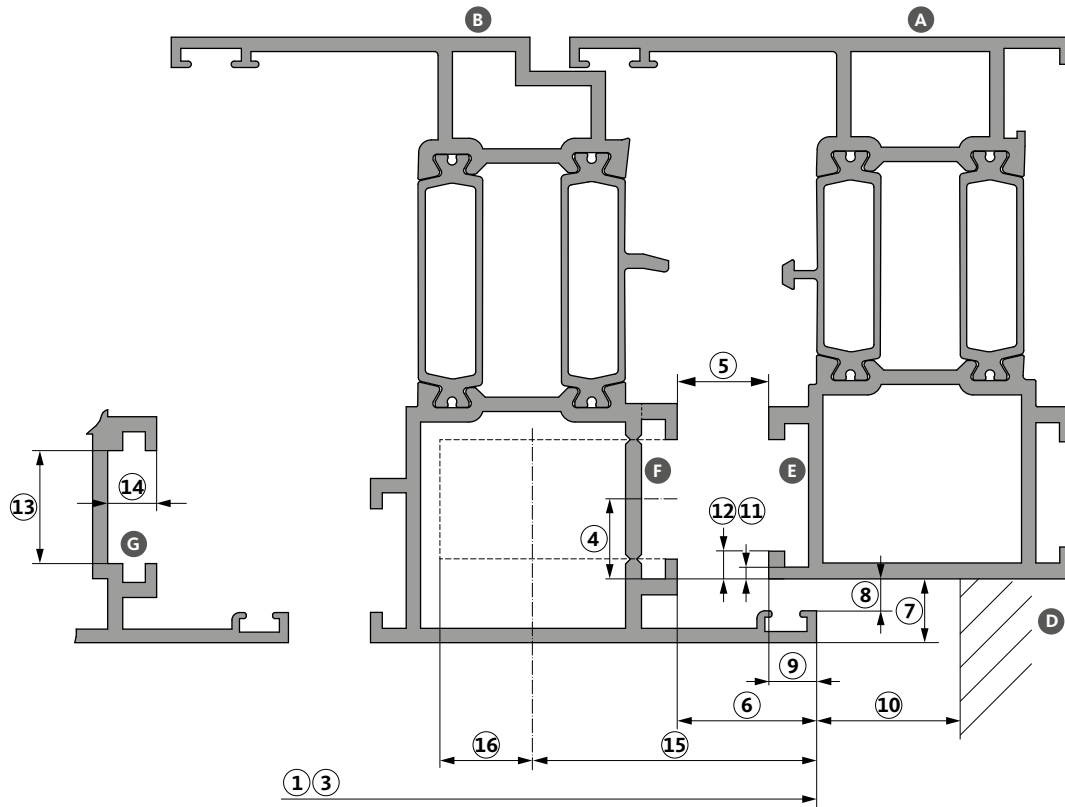
## Documentation

208

## Guidelines/advice on product and liability

210

# List of abbreviations / Definition of terms



## List of abbreviations / Definition of terms



| Dimensions |   |      |
|------------|---|------|
| ①          | Sash width  | SW   |
| ②          | Dummy-mullion sash width                          | SW2  |
| ③          | Sash height                                       | SH   |
| ④          | Axis  | AX   |
| ⑤          | Clearance   | CL   |
| ⑥          | Overlap width                                     | OL   |
| ⑦          | Overlap height                                    | OH   |
| ⑧          | Hinge-passage                                     | HI   |
| ⑨          | Overlap coverage                                  | O-CO |
| ⑩          | Free space on frame                               | FSOF |
| ⑪          | Frame groove dimension A                          | A    |
| ⑫          | Frame groove dimension B                          | B    |
| ⑬          | Groove width with deep Euro-groove 15/20          | W-DG |
| ⑭          | Groove depth with deep Euro-groove 15/20          | D-DG |
| ⑮          | Overlap up to handle axis (with insertable gears) | OHA  |
| ⑯          | Clearance behind backset (for insertable gears)   | CBB  |

| Designations |   |
|--------------|---|
| A            | Frame profile   |
| B            | Sash profile  |
| C            | Dummy-mullion profile                                       |
| D            | Reveal  |
| E            | Frame groove (versions 10/14, 12/15, 14/18)                 |
| F            | Euro-groove 15/20 (connecting rod groove)                   |
| G            | Recessed Euro-groove 15/20 (deepened connecting rod groove) |
| H            | Double C groove of the dummy-mullion profile                |
| I            | Striker groove (with double C groove)                       |
| J            | Central locking groove (with double C groove)               |

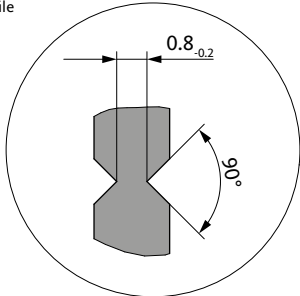
| List of abbreviations |  |
|-----------------------|--|
| AX                    | Axis   |
| CBB                   | Clearance behind backset (for insertable gears)  |
| C-C                   | Centre-closer  |
| CD                    | Corner-drive   |
| CL                    | Clearance  |
| C-L                   | Centre-lock  |
| GTH                   | Geared turn handle   |
| HH                    | Handle height  |
| HI                    | Hinge-passage  |
| HP                    | Hole pattern (for geared turn handle)  |
| IG                    | Insertable gear  |
| LC-M                  | Mushroom locking cam   |
| M.D.                  | Mishandling device   |
| OH                    | Overlap height   |
| OHA                   | Overlap up to handle axis (with insertable gears)  |
| OL                    | Overlap width  |
| PU                    | Packing unit   |
| RC                    | Resistance Class according to EN 1627  |
| SB                    | Shoot-bolt   |
| SH                    | Sash height  |
| SR                    | Centre-of-gravity position of filling  |
| ST                    | Dummy-mullion sash   |
| ST-DCN                | Dummy-mullion sash with central locking system in the double C groove of the dummy-mullion profile |
| ST-FLN                | Dummy-mullion sash with central locking system in the sash groove                                  |
| ST-FLN1               | Dummy-mullion sash with central locking system in the sash groove, installation variant 1          |
| ST-FLN2               | Dummy-mullion sash with central locking system in the sash groove, installation variant 2          |
| STG                   | Height of lever-operated gear  |
| SW                    | Sash width (of the active sash with 2-sash windows)  |
| SW2                   | Dummy-mullion sash width   |
| T&T                   | Tilt&Turn  |
| TF                    | Tilt-First   |
| TI-ON                 | Tilt-Only window   |
| TU-ON                 | Turn-Only window   |

# Installation dimensions and space requirement

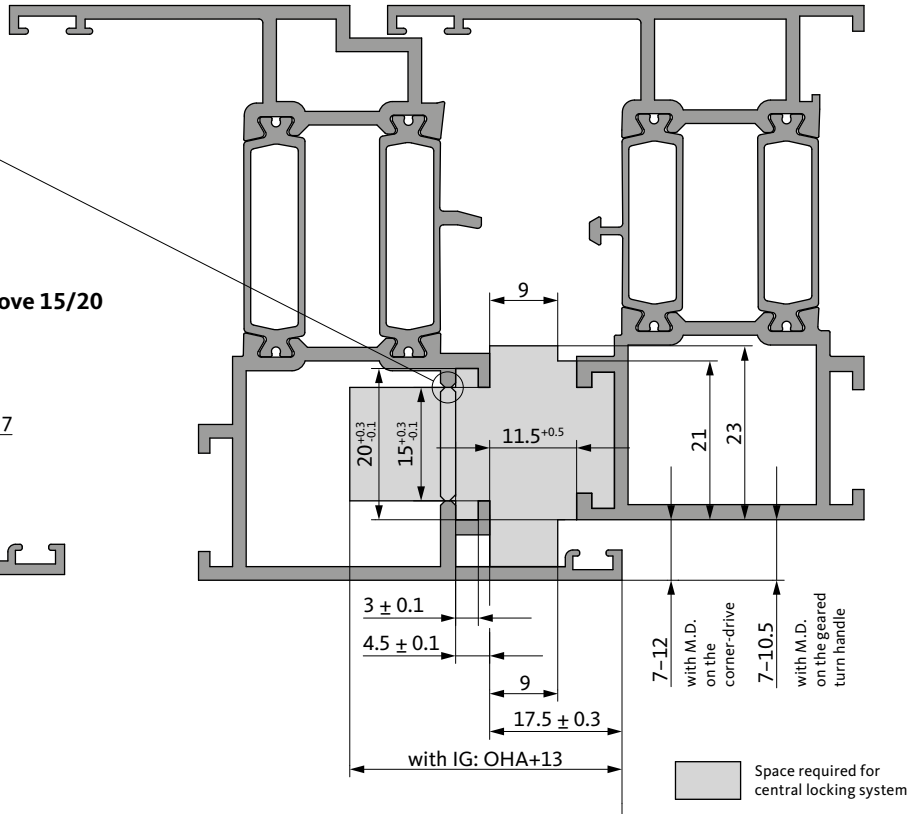
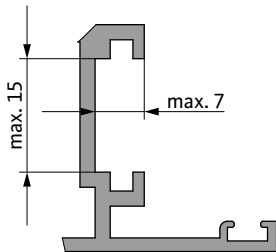
## Central locking system



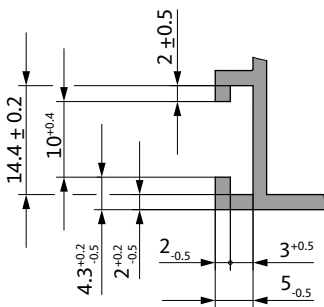
Required if the profile is machined for IG using punches.



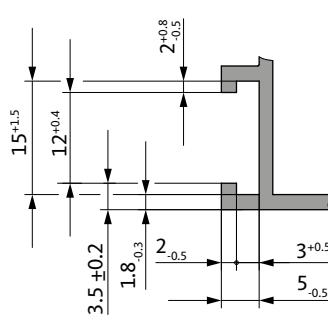
Recessed Euro-groove 15/20



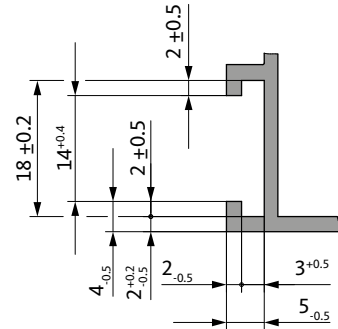
Frame groove 10/14



Frame groove 12/15

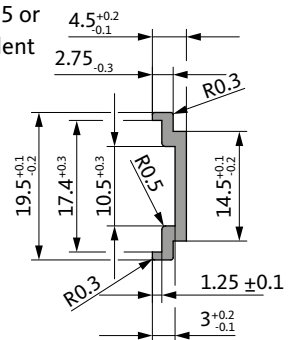


Frame groove 14/18



Connecting rod

P-01975 or equivalent





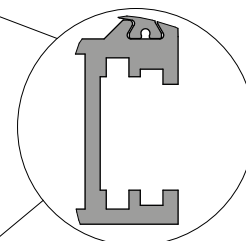
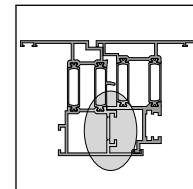
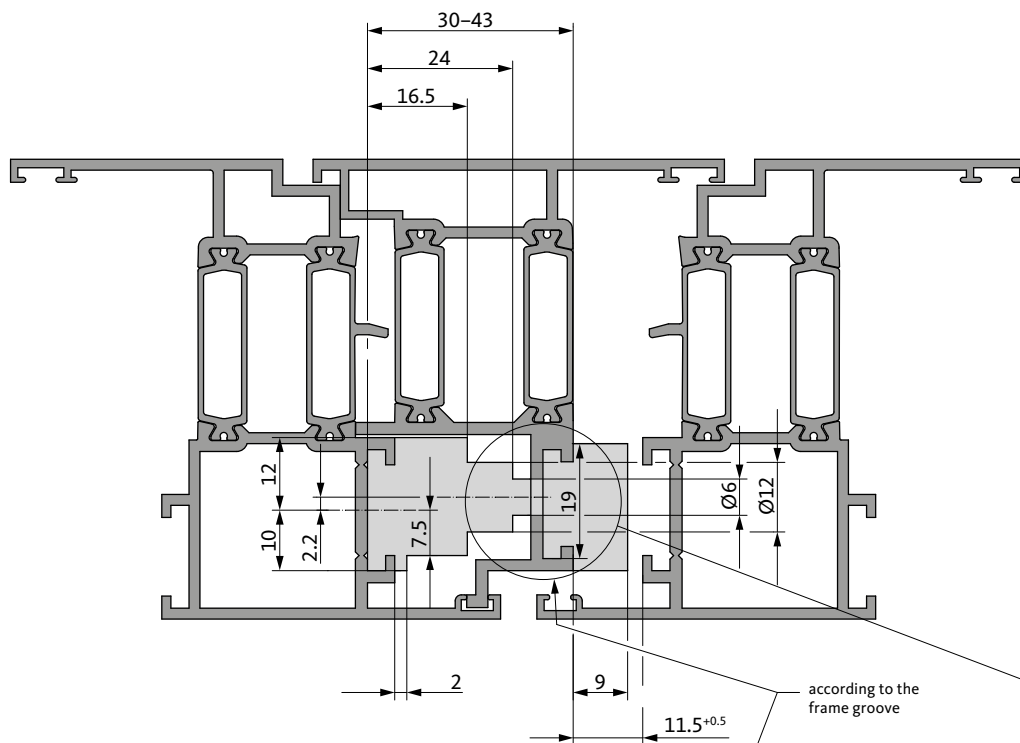
# Installation dimensions and space requirement



Central locking dummy mullion sash with central locking system in the sash groove (ST-FLN)



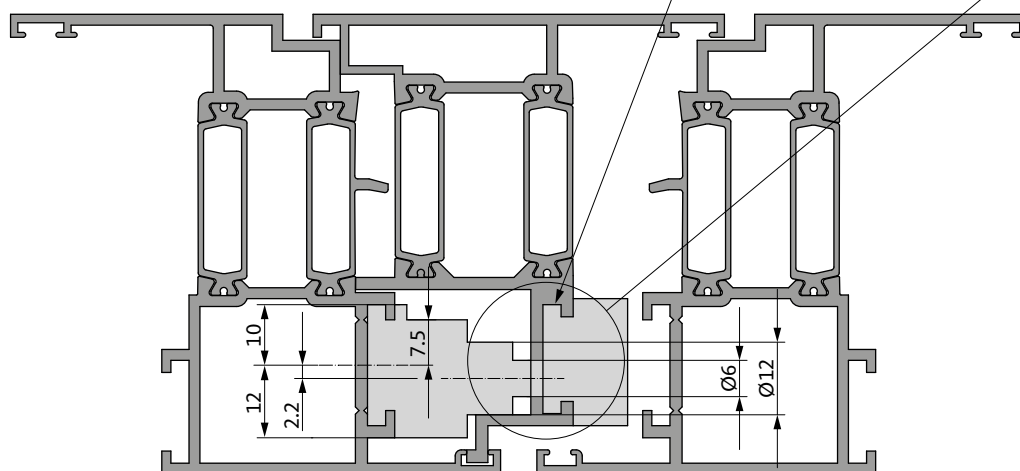
ST-FLN1



Alternative dummy-mullion profile design

ST-FLN2

For dimensions not shown see section above

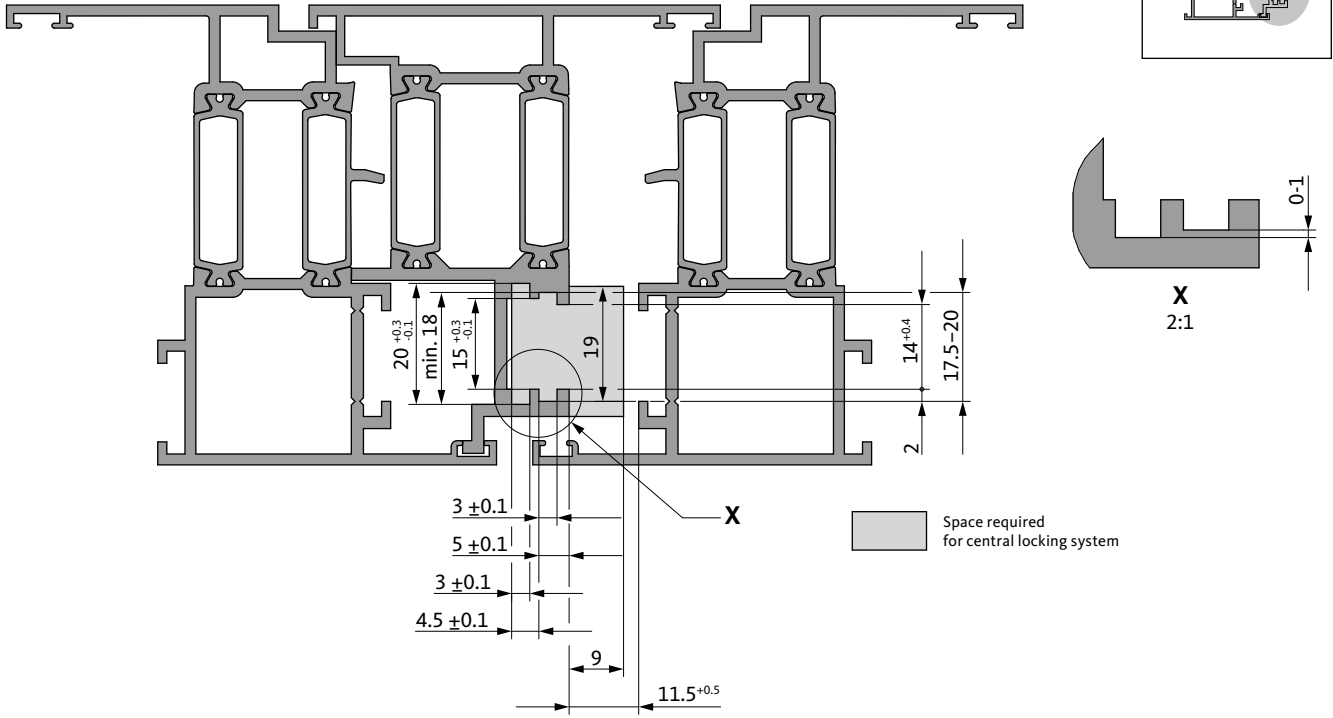


# Installation dimensions and space requirement

Central locking dummy mullion sash with central locking system in the double C groove (ST-DCN)



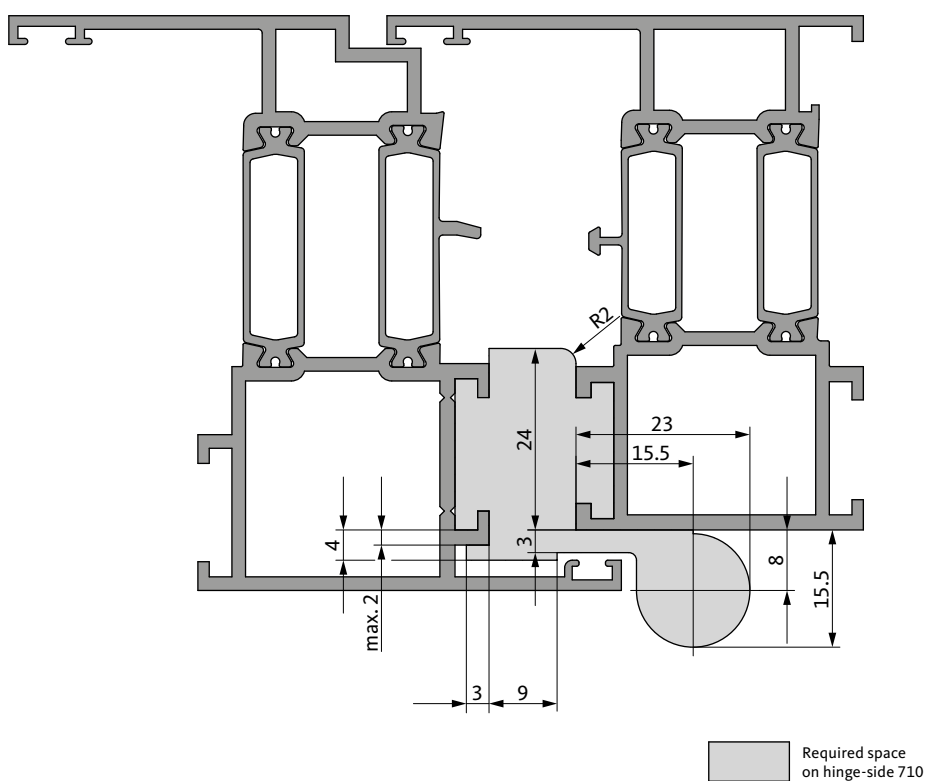
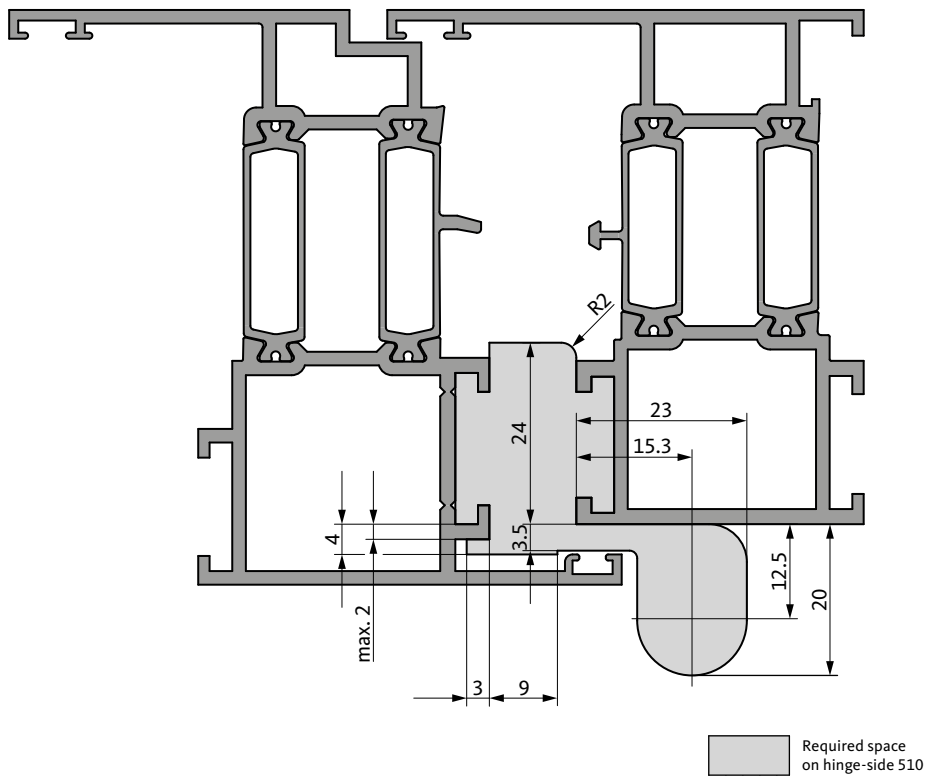
ST-DCN





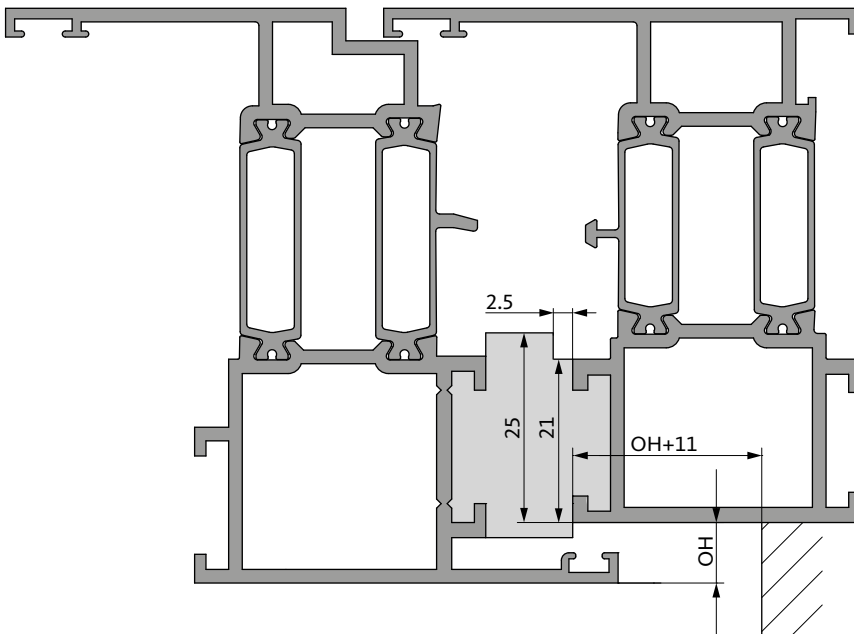
# Installation dimensions and space requirement


## ALU-JET 510 / ALU-JET 710 surface-mounted hinge-sides



# Installation dimensions and space requirement

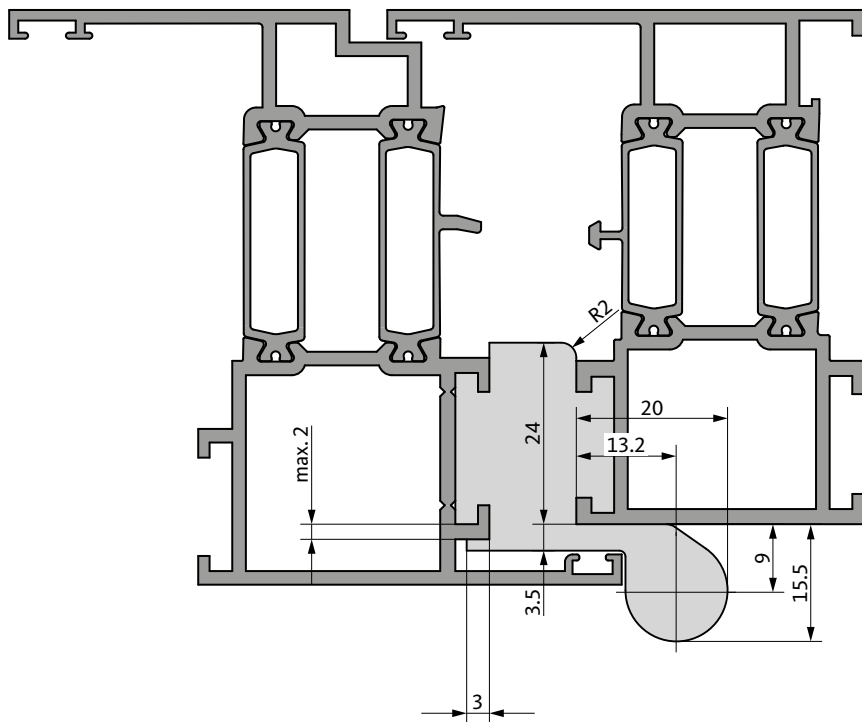
## ALU-JET CC610 concealed hinge-side



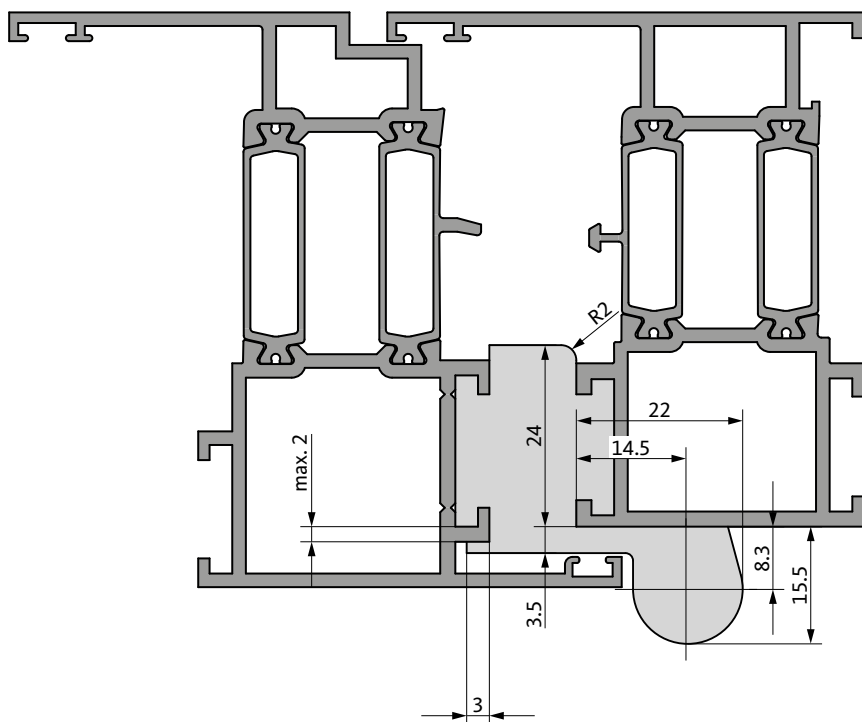
 Required space on hinge-side CC610

# Installation dimensions and space requirement

Surface-mounted hinge-side, ALU-JET 10 axial hinges



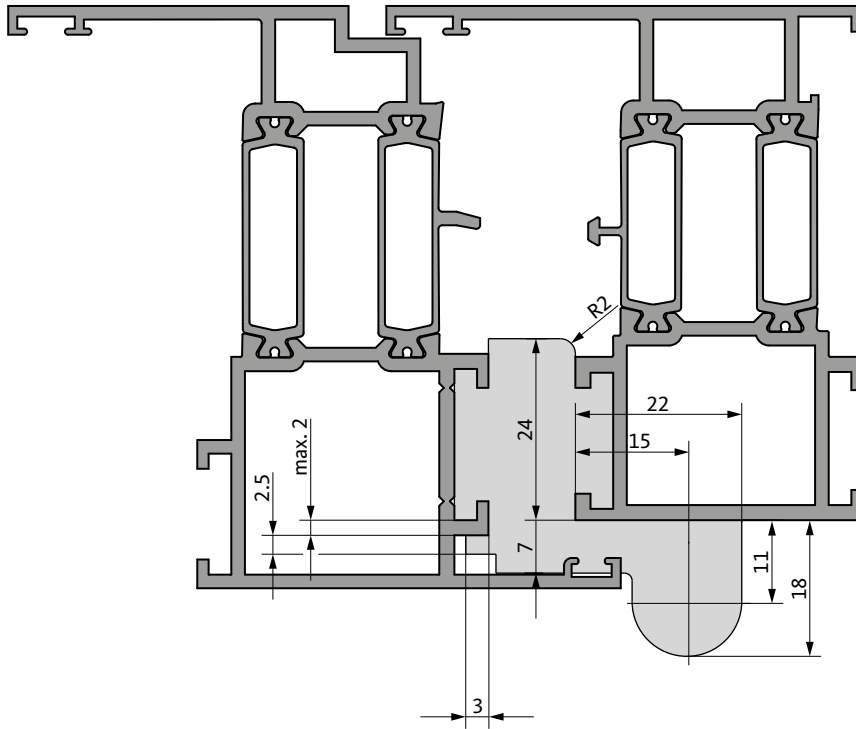
Space requirement for G-24885 / G-24886 axial hinges



Space requirement for K-15820 / K-15887 axial hinges

# Installation dimensions and space requirement

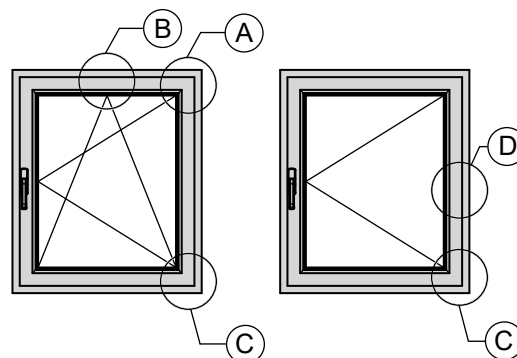
## ALU-JET S800 surface-mounted hinge-side



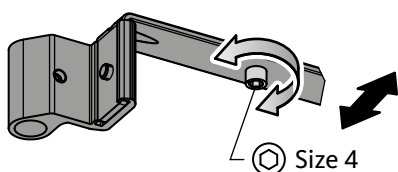
Required space on hinge-side S800

# Adjustment options

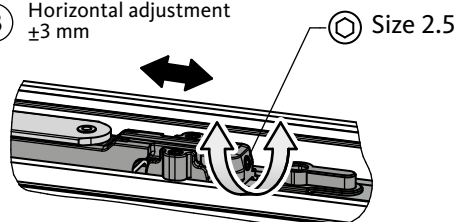
## ALU-JET 510 surface-mounted hinge side



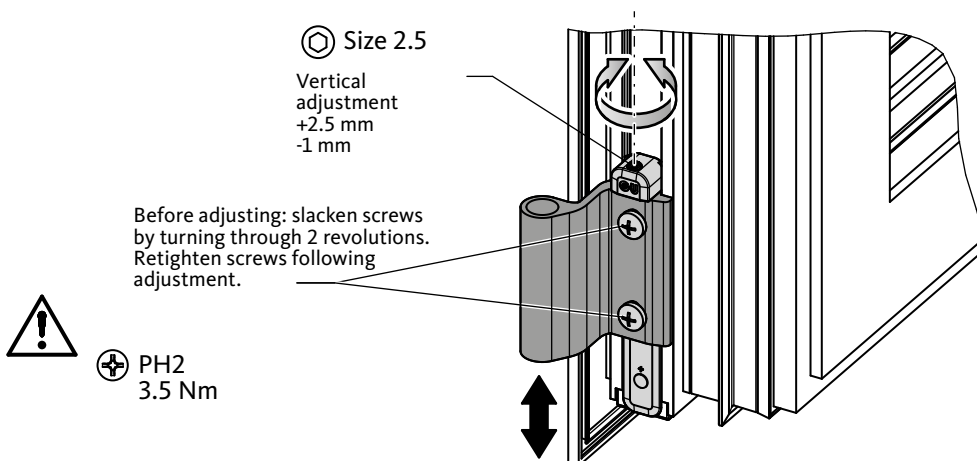
**A** Gasket pressure adjustment  
±1 mm



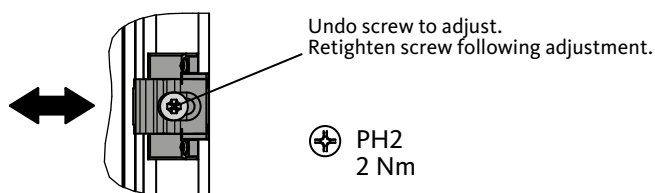
**B** Horizontal adjustment  
±3 mm



**C**



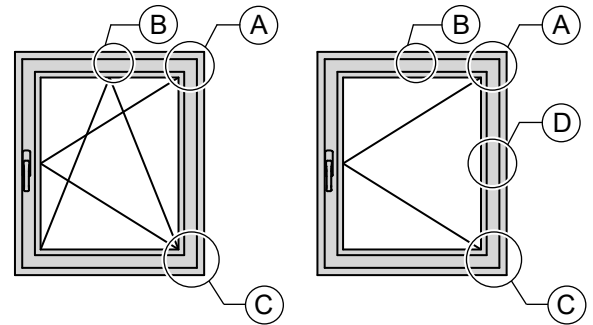
**D** Gasket pressure adjustment  
+2 mm  
-1 mm



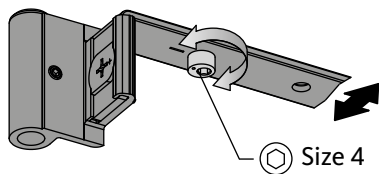


# Adjustment options

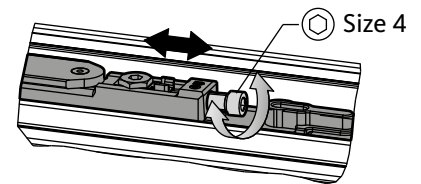
## ALU-JET 710 surface-mounted hinge side



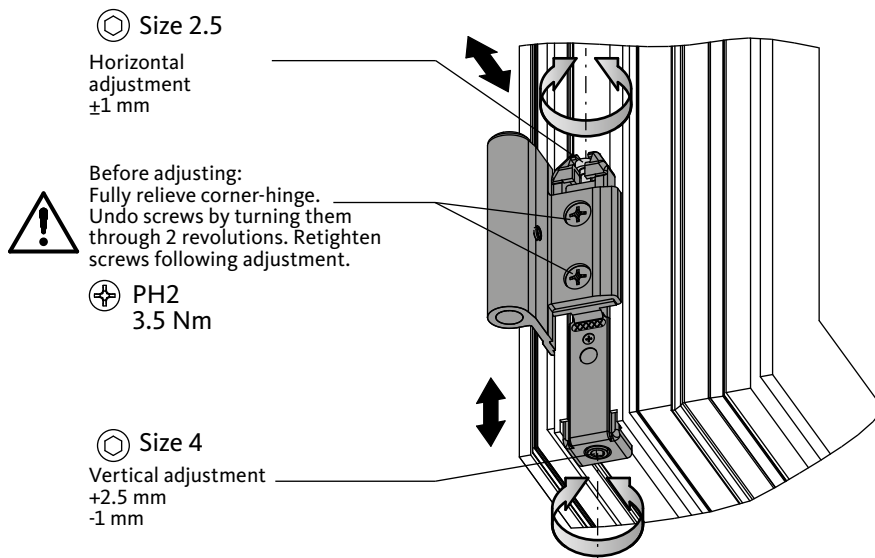
**A** Gasket pressure adjustment  
±1 mm



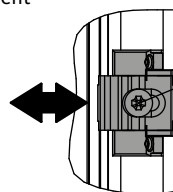
**B** Horizontal adjustment  
±3 mm



**C**



**D** Gasket pressure adjustment  
+2 mm  
-1 mm



Undo screw to adjust.  
Retighten screw following adjustment.

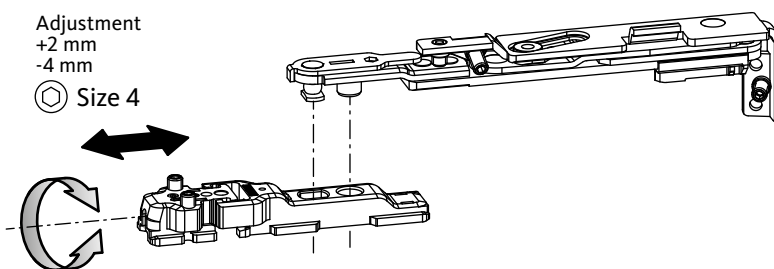
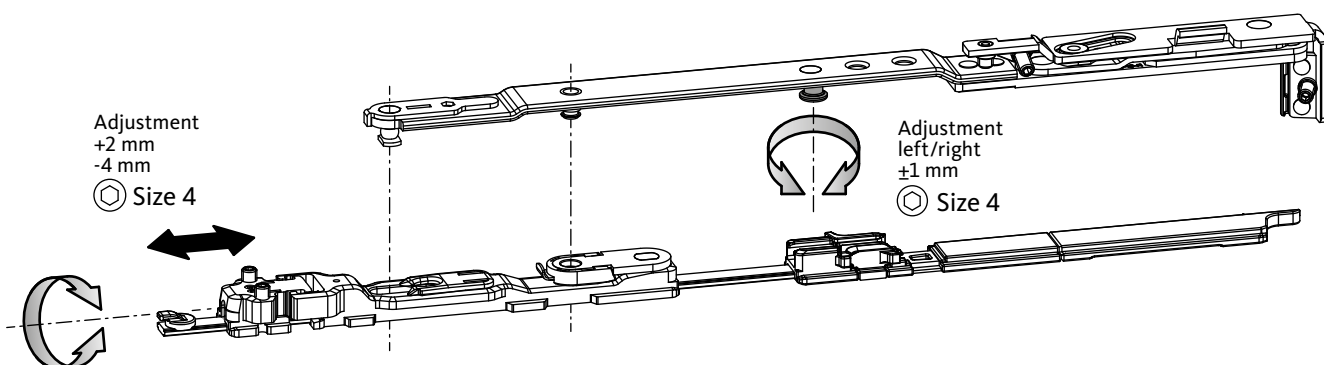
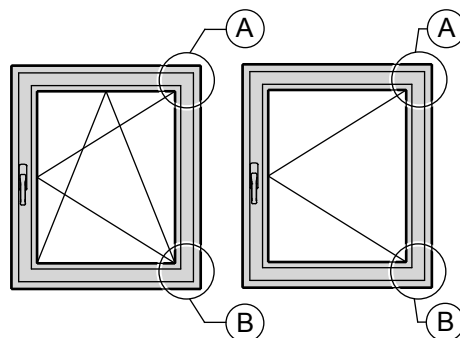
⊕ PH2  
2 Nm

# Adjustment options

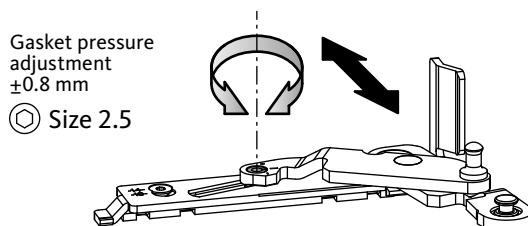
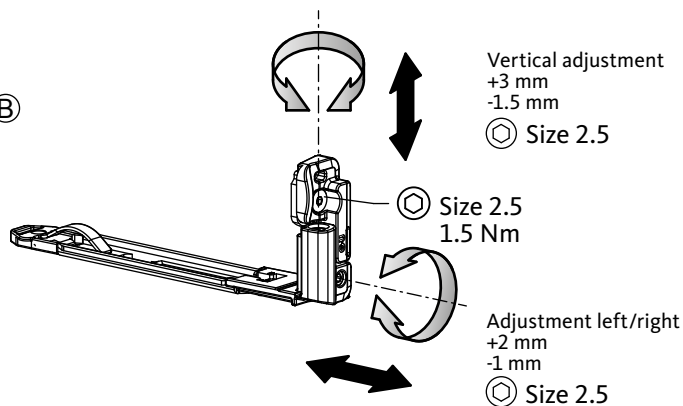
## ALU-JET CC610 concealed hinge-side



Ⓐ

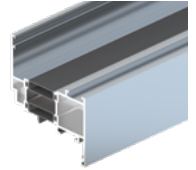
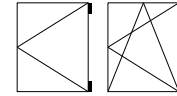


Ⓑ



# ALU-JET 510 application diagram

Tilt&Turn window, Tilt-First window, Turn-Only window



## Prerequisites for using the application diagram:

- Verifications regarding the attachment of load-bearing components to the window system by the window fabricator according to TBDK with the following forces:
  - 2200 N at the stay-bearing
  - 2890 N at the pivot-rest
- Glass reduction GR ≥ 20 mm
- Profile weight PW ≤ 3,6 kg/m

### Attention:

The maximum sash weight of 100 kg is only permitted in certain areas of the application diagram.

Only sash formats to the left of the respective glass weight graph are permissible.

format not permitted

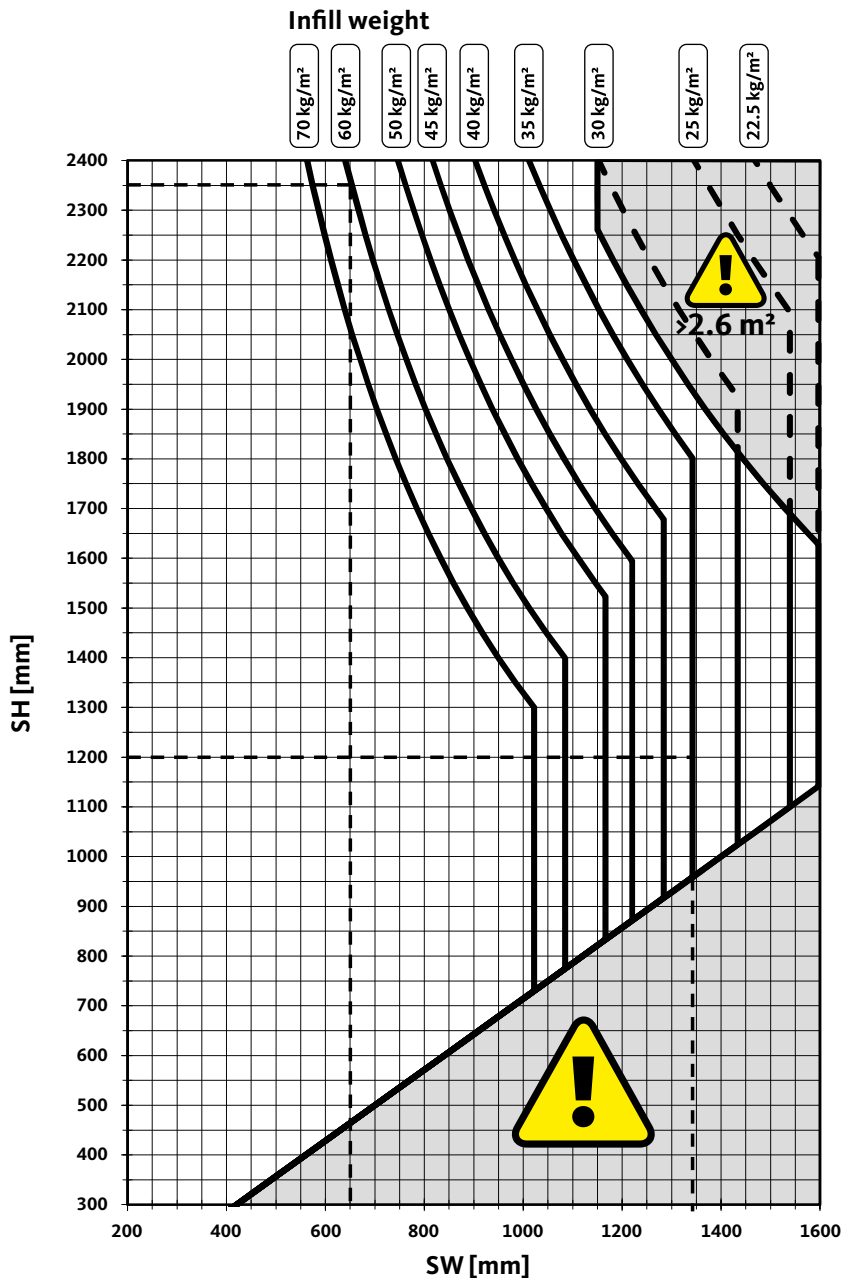
### Reading examples

1. Infill weight = 60 kg/m<sup>2</sup>  
 With an SW = 650 mm, the max. SH = 2350 mm, which corresponds to a maximum sash weight of 100 kg.
2. Infill weight = 35 kg/m<sup>2</sup>  
 With an SH = 1200 mm, the max. SW = 1340 mm, which corresponds to a maximum sash weight of 69 kg.

For notes on intended use, see 0-46789.

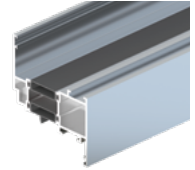
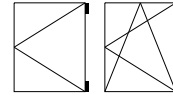
### Test and calculation basis

- Tilt&Turn test acc. to EN 13126-8:2017
  - Class H2 (10.000 Tilt&Turn and Turn-Only cycles)
- Test format:
  - SRW 900 x SRH 2300 : 100 kg
  - SRW 1300 x SRH 1200 : 80 kg



# ALU-JET 710 application diagram

Tilt&Turn window, Tilt-First window, Turn-Only window



## Prerequisites for using the application diagram:

- Verifications regarding the attachment of load-bearing components to the window system by the window fabricator according to TBDK with the following forces:

- 3525 N at the stay-bearing
- 3760 N at the pivot-rest

- Glass reduction GR ≥ 20 mm
- Profile weight PW ≤ 3,6 kg/m

### Attention:

The maximum sash weight of 130 kg is only permitted in certain areas of the application diagram.

Only sash formats to the left of the respective glass weight graph are permissible.

format not permitted

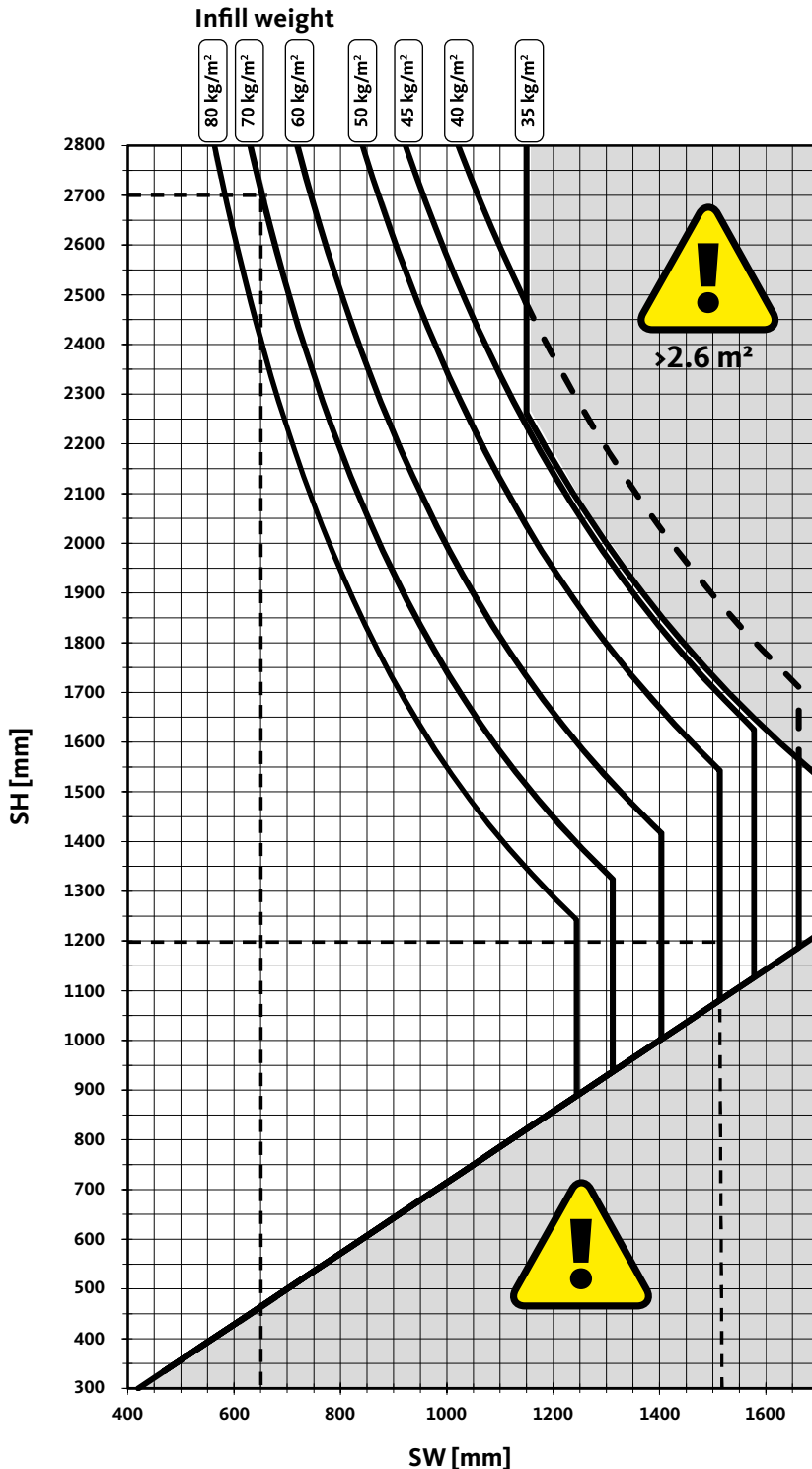
### Reading examples

- Infill weight = 70 kg/m<sup>2</sup>**  
With an SW = 650 mm, the max. SH = 2700 mm, which corresponds to a maximum sash weight of 130 kg.
- Infill weight = 50 kg/m<sup>2</sup>**  
With an SH = 1200 mm, the max. SW = 1515 mm, which corresponds to a maximum sash weight of 100 kg.

For notes on intended use, see 0-46789.

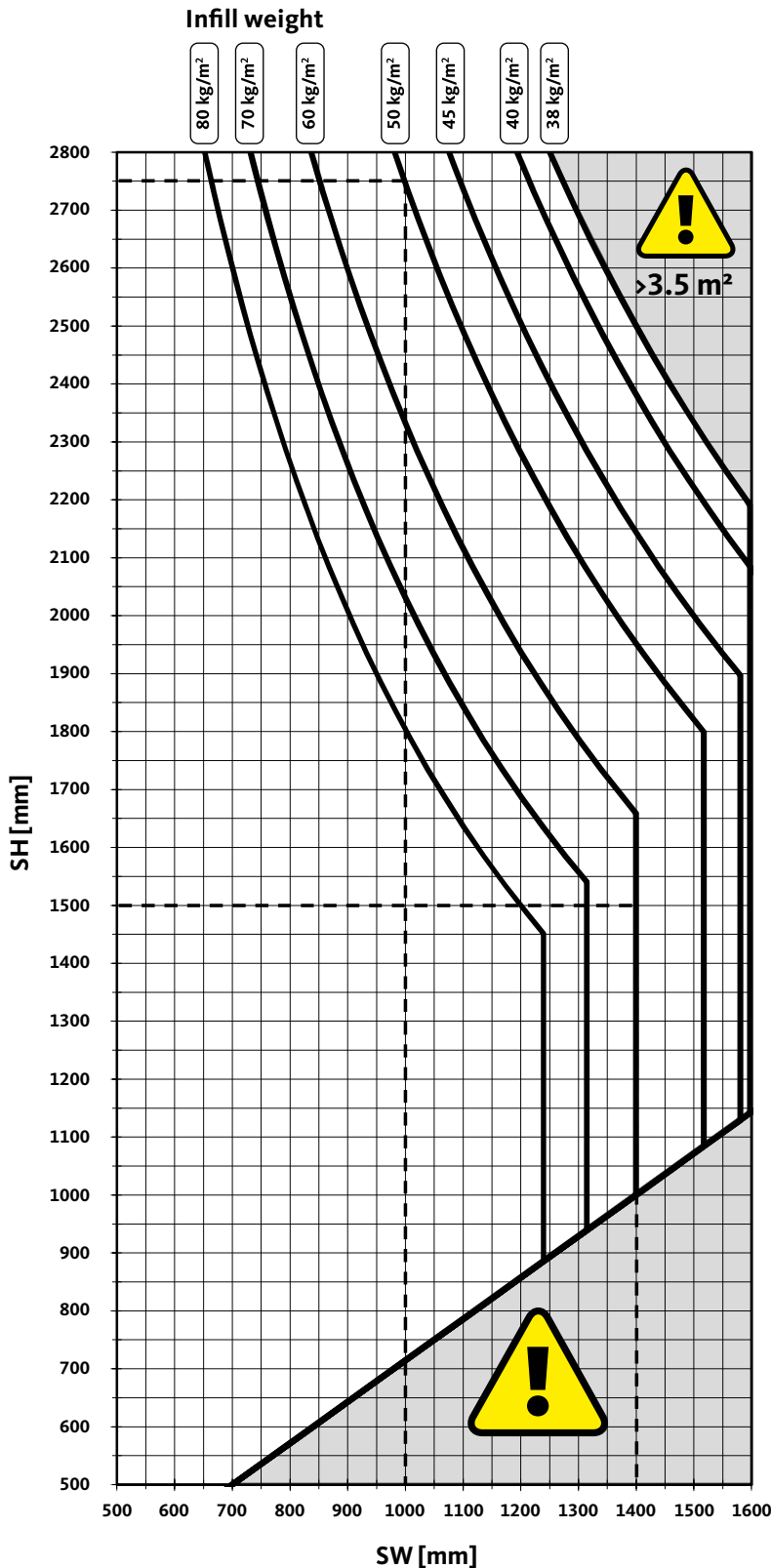
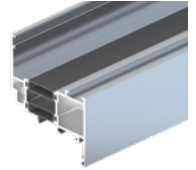
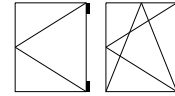
### Test and calculation basis

- Tilt&Turn test acc. to EN 13126-8:2017 and EN 1191:2012
  - Class H3 (20,000 Tilt&Turn and Turn-Only cycles)
- Test format:
  - SRW 1300 x SRH 1200 : 130 kg



# ALU-JET CC610 application diagram

Tilt&Turn window, Tilt-First window, Turn-Only window



## Prerequisites for using the application diagram:

- Verifications regarding the attachment of load-bearing components to the window system by the window fabricator according to TBDK with the following forces:
  - 3525 N at the stay-bearing
  - 4340 N at the pivot-rest
- Glass reduction GR ≥ 20 mm
- Profile weight PW ≤ 3,6 kg/m

### Attention

The maximum sash weight of 150 kg is only permitted in certain areas of the application diagram.

Only sash formats to the left of the respective glass weight graph are permissible.

■ format not permitted

### Reading examples

1. Infill weight = 50 kg/m<sup>2</sup>  
With an SW = 1000 mm, the max. SH = 2750 mm, which corresponds to a maximum sash weight of 150 kg.
2. Infill weight = 60 kg/m<sup>2</sup>  
With an SH = 1500 mm, the max. SW = 1400 mm, which corresponds to a maximum sash weight of 133 kg.

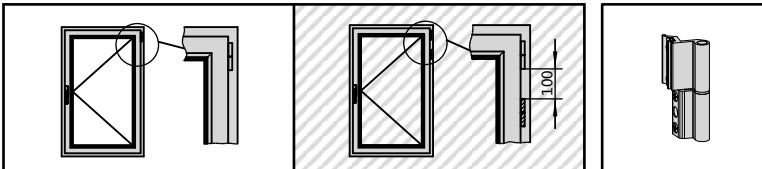
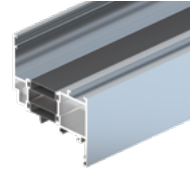
For notes on intended use, see 0-46789.

### Test and calculation basis

- Tilt&Turn test acc. to EN 13126-8:2017 and EN 1191:2012
  - Class H2 (10.000 Tilt&Turn and Turn-Only cycles)
- Test formats:
  - SRW 900 x SRH 2300 : 150 kg
  - SRW 1300 x SRH 1200 : 130 kg

# Application diagram, ALU-JET 10 axial hinges

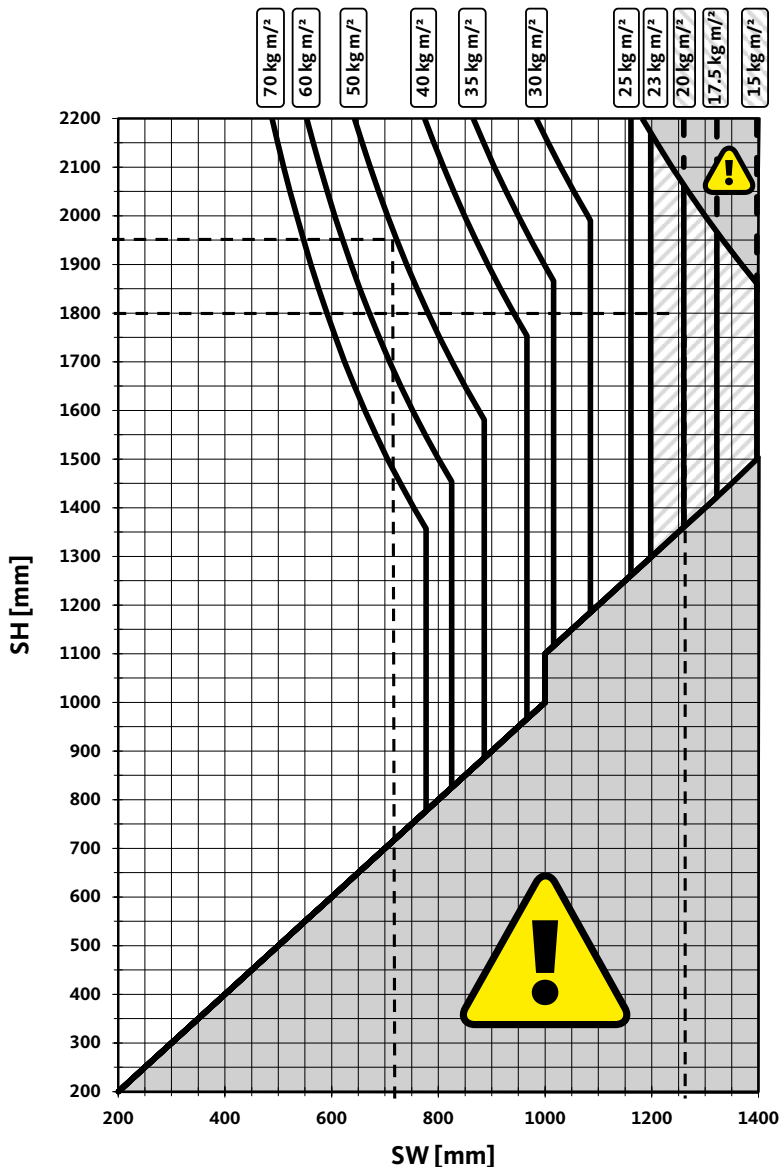
Turn-Only window – axial hinges G-24885



## Prerequisites for using the application diagram:

- Verifications regarding the attachment of load-bearing components to the window system by the window fabricator according to TBDK with the following forces:
  - 1235 N at the stay-bearing
  - 2310 N at the pivot-rest
- Glass reduction GR ≥ 20 mm
- Profile weight PW ≤ 3,6 kg/m

### Infill weight



### Attention:

The maximum sash weight of 80 kg is only permitted in certain areas of the application diagram.

Only sash formats to the left of the respective glass weight graph are permissible.

- format not permitted
- additional centre-closer at top

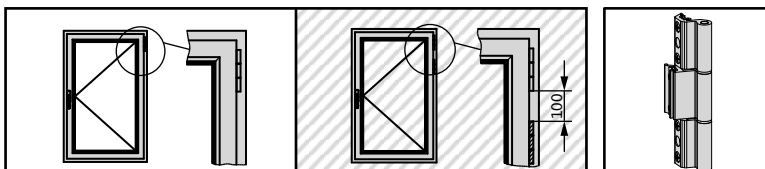
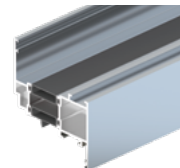
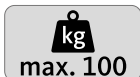
### Reading examples

1. Infill weight = 50 kg/m<sup>2</sup>  
With an SW = 720 mm, the max. SH = 1950 mm, which corresponds to a maximum sash weight of 80 kg.
2. Infill weight 20 kg/m<sup>2</sup>  
in the hatched area  
(additional hinge at top)  
With an SH = 1800 mm, the max. SW = 1260 mm, which corresponds to a maximum sash weight of 62 kg.

For notes on intended use, see 0-46789.

# Application diagram, ALU-JET 10 axial hinges

Turn-Only window – axial hinges G-24886



## Prerequisites for using the application diagram:

- Verifications regarding the attachment of load-bearing components to the window system by the window fabricator according to TBDK with the following forces:
  - 1545 N at the stay-bearing
  - 2890 N at the pivot-rest
- Glass reduction GR ≥ 20 mm
- Profile weight PW ≤ 3,6 kg/m

### Attention:

The maximum sash weight of 100 kg is only permitted in certain areas of the application diagram.

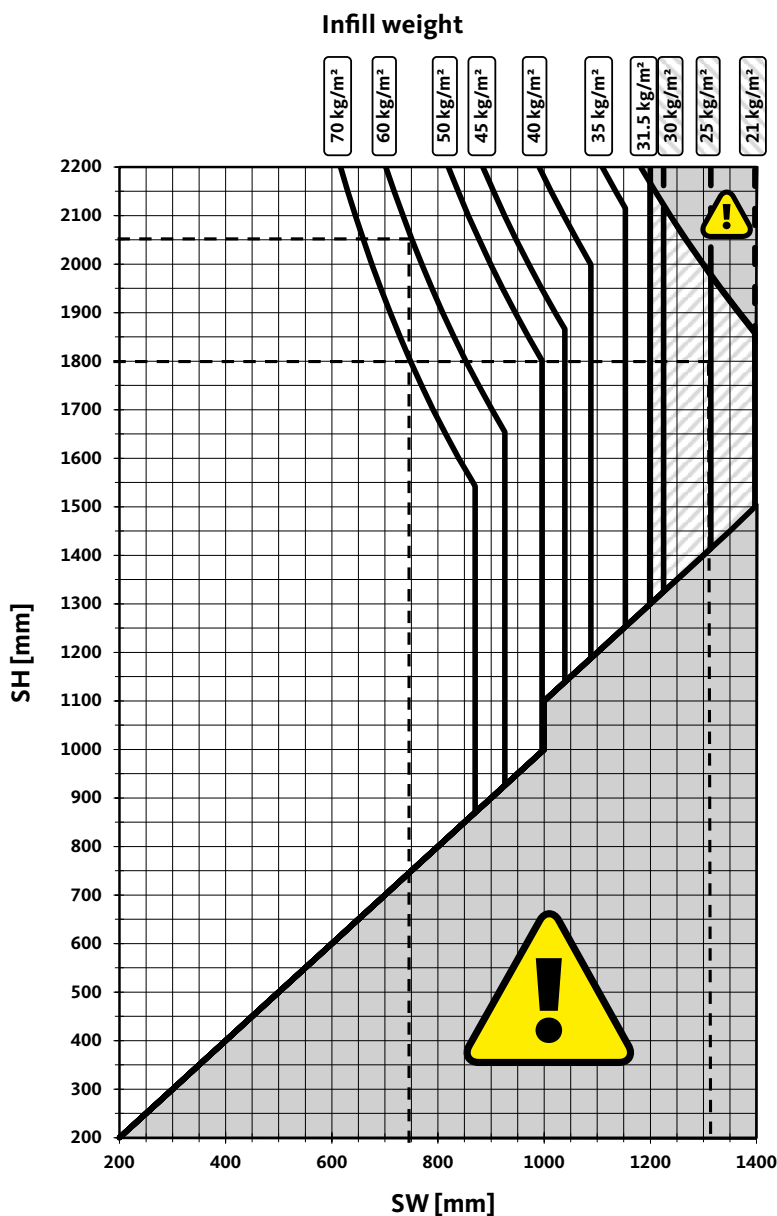
Only sash formats to the left of the respective glass weight graph are permissible.

- format not permitted
- additional hinge at the top

### Reading examples

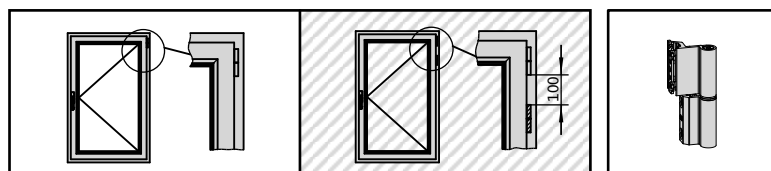
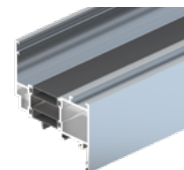
1. Infill weight = 60 kg/m<sup>2</sup>  
 With an SW = 750 mm, the max. SH = 2050 mm, which corresponds to a maximum sash weight of 100 kg.
2. Infill weight 20 kg/m<sup>2</sup>  
 in the hatched area (additional hinge at top)  
 With an SH = 1800 mm, the max. SW = 1335 mm, which corresponds to a maximum sash weight of 75 kg.

For notes on intended use, see 0-46789.

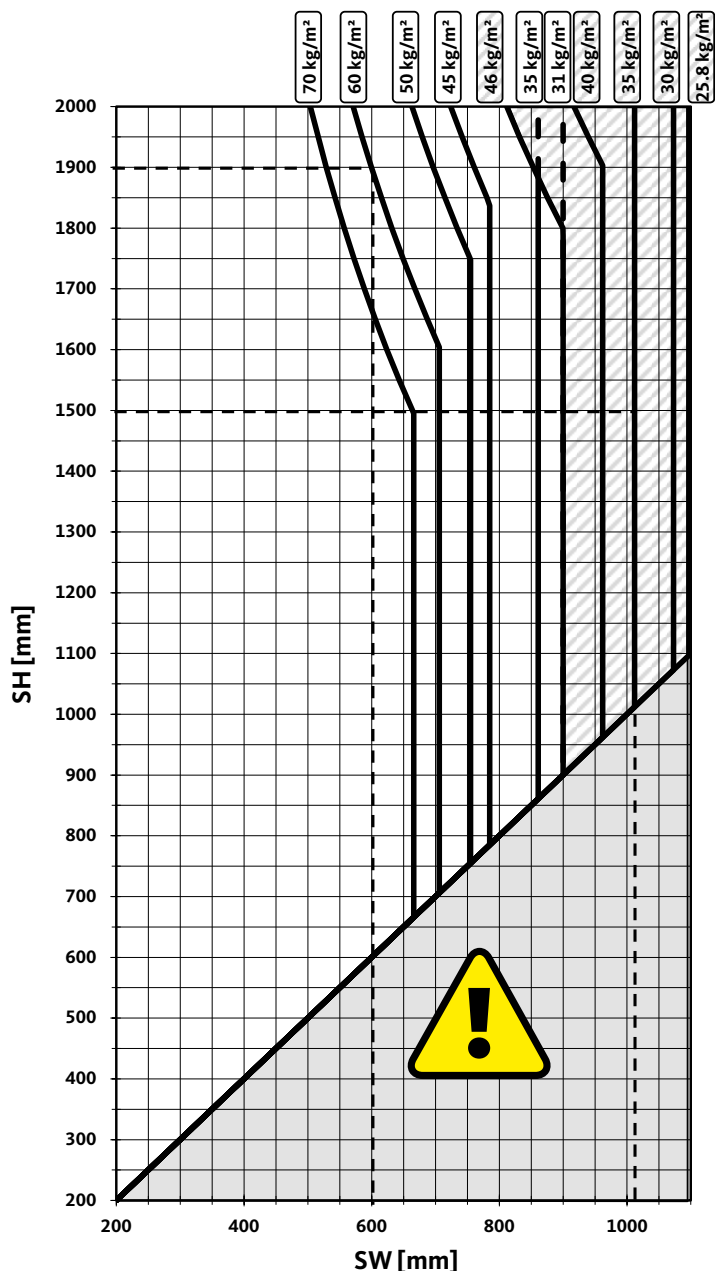


# Application diagram, ALU-JET 10 axial hinges

Turn-Only window – axial hinges K-15820



## Infill weight



## Prerequisites for using the application diagram:

■ Verifications regarding the attachment of load-bearing components to the window system by the window fabricator according to TBDK with the following forces:

□ - 920 N at the stay-bearing  
 - 2165 N at the pivot-rest

▨ - 1225 N at the stay-bearing  
 - 2455 N at the pivot-rest

■ Glass reduction GR ≥ 20 mm

■ Profile weight PW ≤ 3,6 kg/m

### Attention:

The maximum sash weight of 75 / 85 kg is only permitted in certain areas of the application diagram.

Only sash formats to the left of the respective glass weight graph are permissible.

□ format not permitted

▨ additional hinge at the top

### Reading examples

- Infill weight = 60 kg/m²**  
 With an SW = 600 mm, the max. SH = 1900 mm, which corresponds to a maximum sash weight of 75 kg.
- Infill weight 35 kg/m² in the hatched area (additional hinge at top)**  
 With an SH = 1500 mm, the max. SW = 1012 mm, which corresponds to a maximum sash weight of 64 kg.

For notes on intended use, see 0-46789.



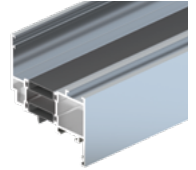
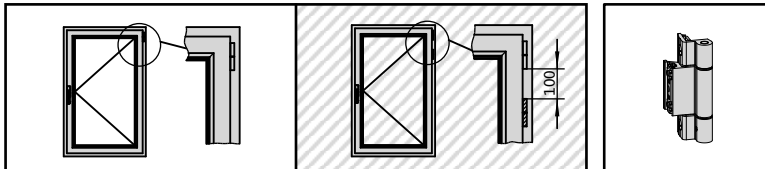
# Application diagram, ALU-JET 10 axial hinges

Turn-Only window – axial hinges K-15887



kg  
max. 80

kg  
max. 100



## Prerequisites for using the application diagram:

■ Verifications regarding the attachment of load-bearing components to the window system by the window fabricator according to TBDK with the following forces:

□ - 920 N at the stay-bearing  
- 2310 N at the pivot-rest

▨ - 1445 N at the stay-bearing  
- 2890 N at the pivot-rest

■ Glass reduction GR ≥ 20 mm

■ Profile weight PW ≤ 3,6 kg/m

### Attention:

The maximum sash weight of 80 / 100 kg is only permitted in certain areas of the application diagram.

Only sash formats to the left of the respective glass weight graph are permissible.

□ format not permitted

▨ additional hinge at the top

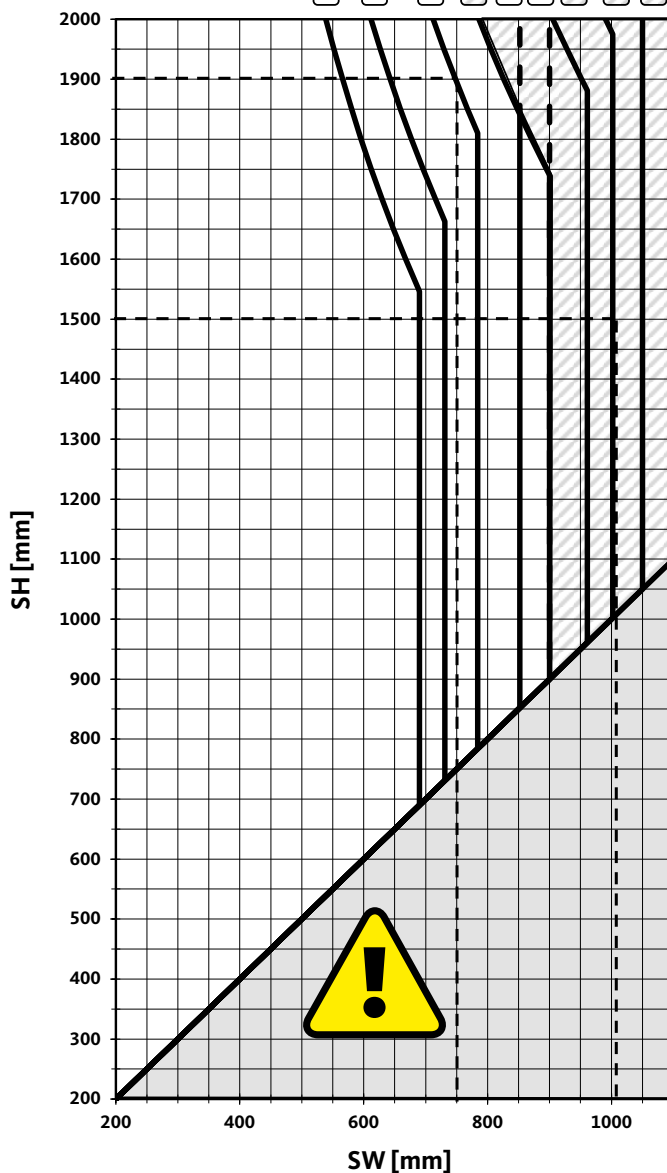
### Reading examples

1. Infill weight = 50 kg/m<sup>2</sup>  
With an SW = 750 mm, the max. SH = 1900 mm, which corresponds to a maximum sash weight of 80 kg.
2. Infill weight 45 kg/m<sup>2</sup>  
in the hatched area (additional hinge at top)  
With an SH = 1500 mm, the max. SW = 1002 mm, which corresponds to a maximum sash weight of 77 kg.

For notes on intended use, see 0-46789.

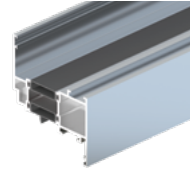
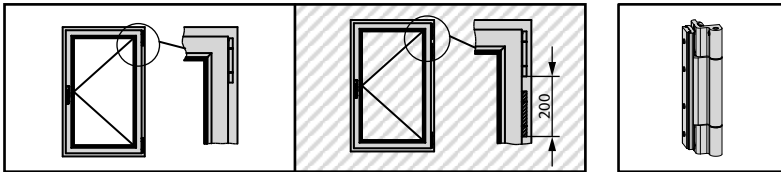
## Infill weight

70 kg/m<sup>2</sup> 60 kg/m<sup>2</sup> 50 kg/m<sup>2</sup> 59 kg/m<sup>2</sup> 40 kg/m<sup>2</sup> 34 kg/m<sup>2</sup> 50 kg/m<sup>2</sup> 45 kg/m<sup>2</sup> 40 kg/m<sup>2</sup> 36 kg/m<sup>2</sup>



# ALU-JET S800 application diagram

Turn-Only window



## Prerequisites for using the application diagram:

- Verifications regarding the attachment of load-bearing components to the window system by the window fabricator according to TBDK with the following forces:
  - 2575 N at the stay-bearing
  - 5780 N at the pivot-rest
- Glass reduction GR ≥ 20 mm
- Profile weight PW ≤ 3,6 kg/m

### Attention:

The maximum sash weight of 200 kg is only permitted in certain areas of the application diagram.

Only sash formats to the left of the respective glass weight graph are permissible.

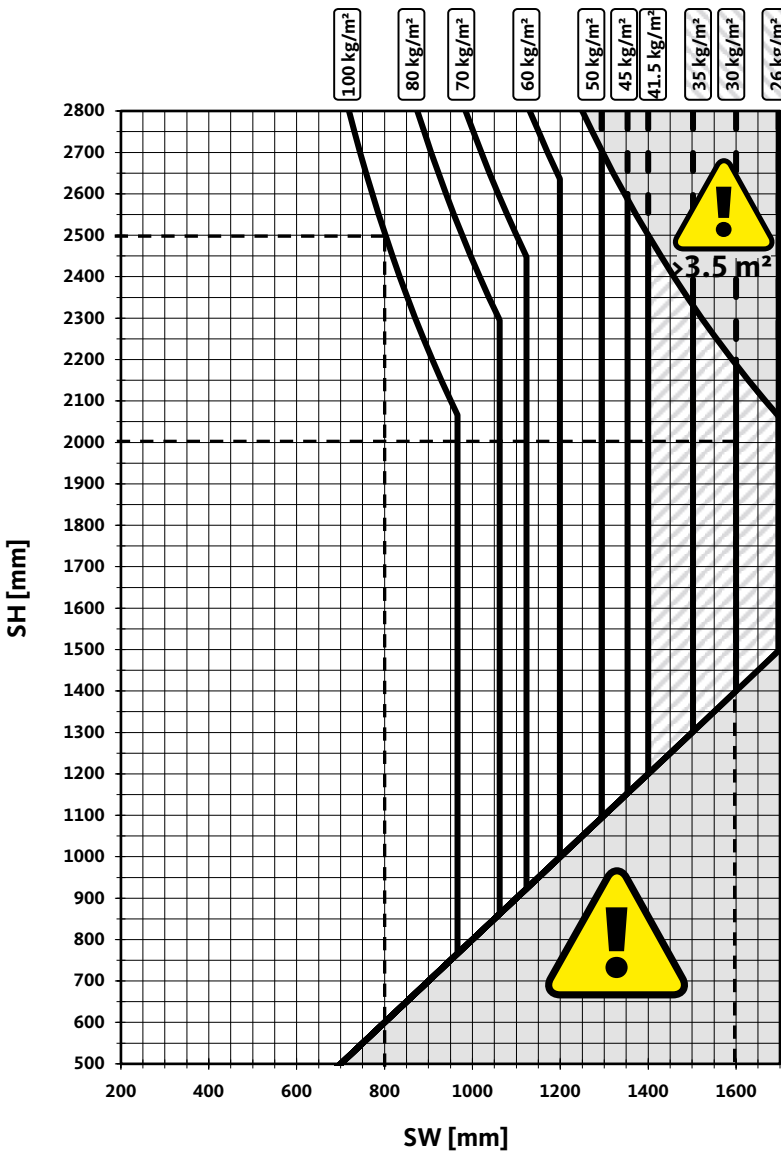
- format not permitted
- additional hinge at the top

### Reading examples

1. Infill weight = 100 kg/m<sup>2</sup>  
With an SW = 800 mm, the max. SH = 2500 mm, which corresponds to a maximum sash weight of 200 kg.
2. Infill weight 30 kg/m<sup>2</sup>  
in the hatched area  
(additional hinge at top)  
With an SH = 2000 mm, the max. SW = 1600 mm, which corresponds to a maximum sash weight of 113 kg.

For notes on intended use, see 0-46789.

### Infill weight

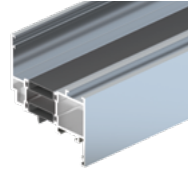
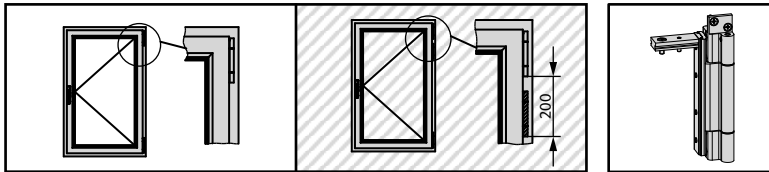


# ALU-JET S800 application diagram

Turn-Only window



**kg**  
max. 300



## Prerequisites for using the application diagram:

- Verifications regarding the attachment of load-bearing components to the window system by the window fabricator according to TBDK with the following forces:
  - 3860 N at the stay-bearing
  - 8660 N at the pivot-rest
- Glass reduction GR ≥ 20 mm
- Profile weight PW ≤ 3,6 kg/m

### Attention:

The maximum sash weight of 300 kg is only permitted in certain areas of the application diagram.

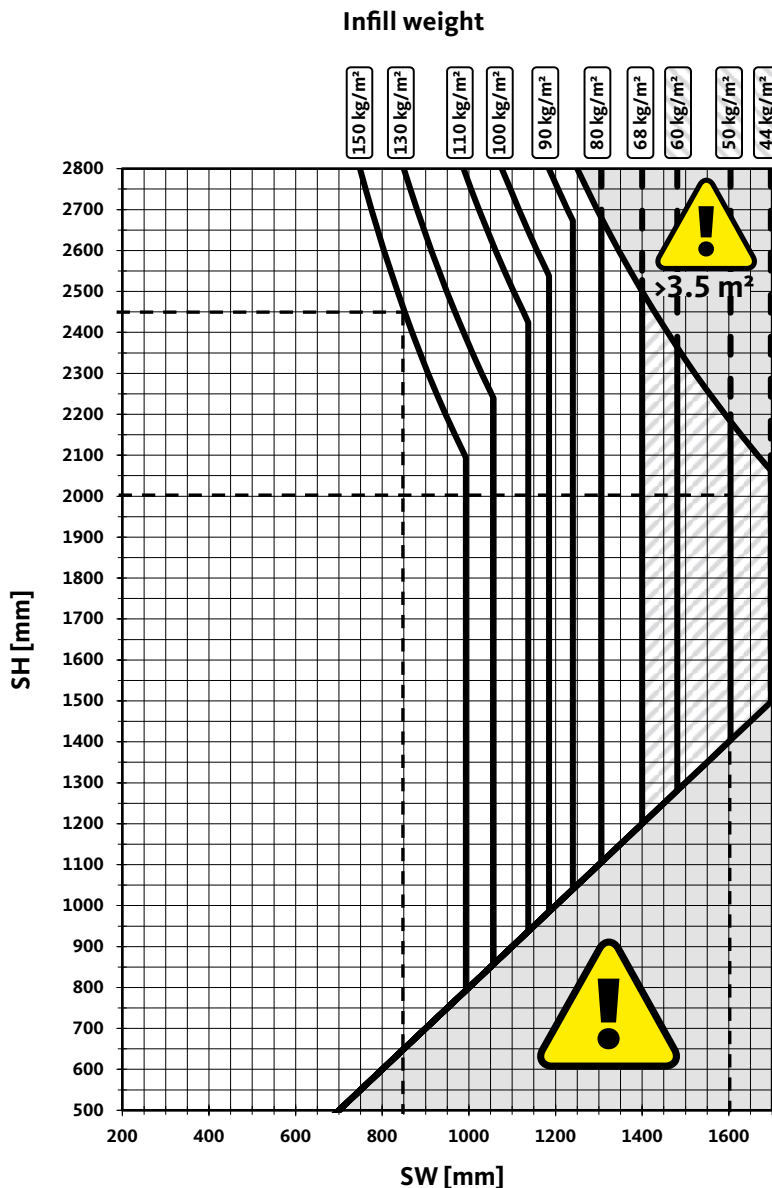
Only sash formats to the left of the respective glass weight graph are permissible.

- format not permitted
- additional hinge at the top

### Reading examples

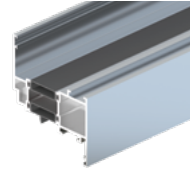
1. Infill weight = 150 kg/m<sup>2</sup>  
With an SW = 850 mm, the max. SH = 2450 mm, which corresponds to a maximum sash weight of 300 kg.
2. Infill weight 50 kg/m<sup>2</sup>  
in the hatched area (additional hinge at top)  
With an SH = 2000 mm, the max. SW = 1604 mm, which corresponds to a maximum sash weight of 172 kg.

For notes on intended use, see 0-46789.

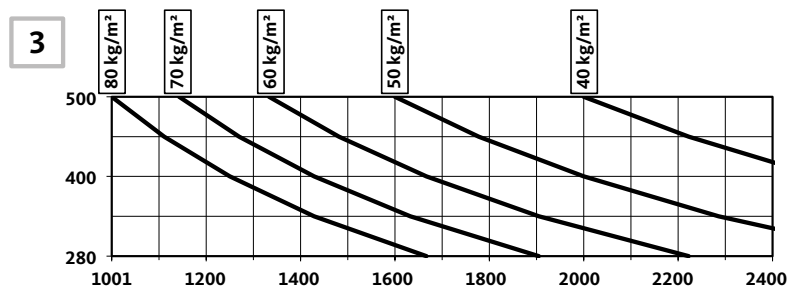
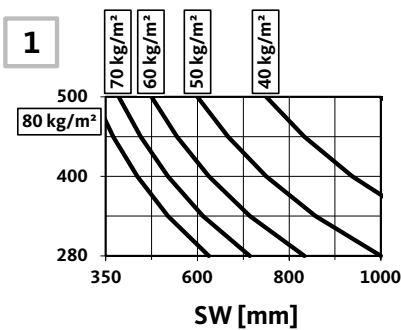
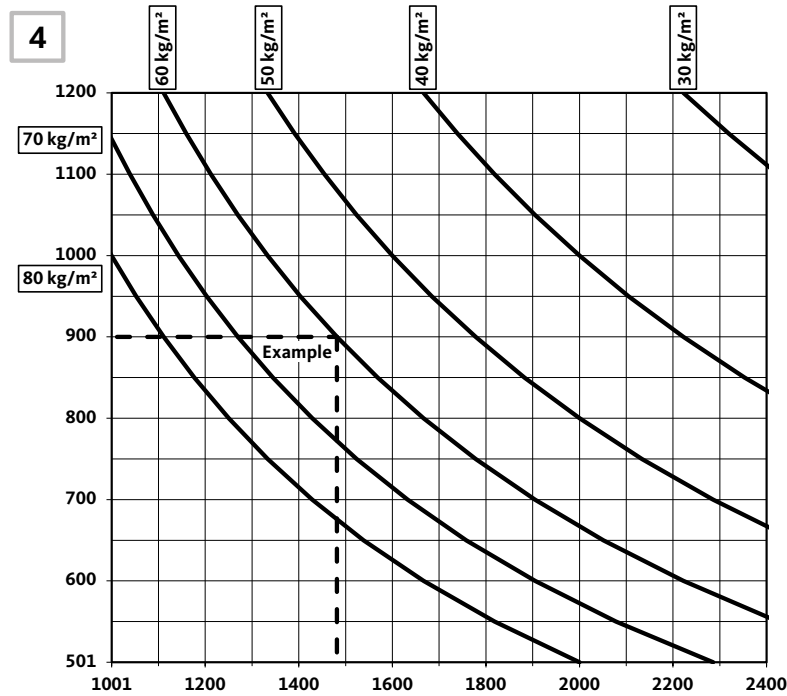
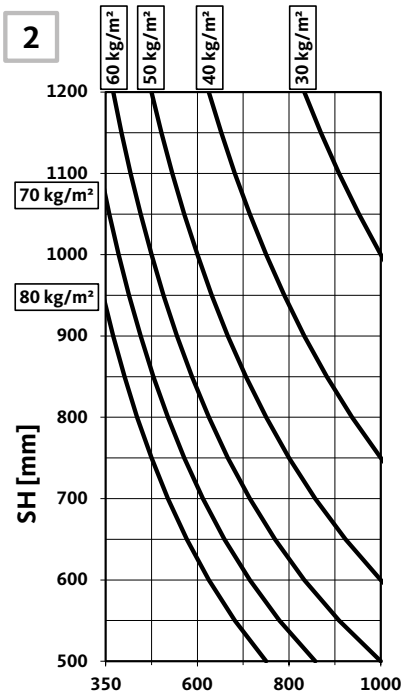


# ALU-JET 10 application diagram

Tilt-Only window – surface-mounted hinge-side – based on the maximum permissible sash weight



## Infill weight



Only sash formats below the respective glass weight graph are permissible.

**2** Max. sash weight 30 kg  
1x Tilt-Only stay K-17138 lateral  
1x EURO-SOLID 6-27995 lateral

**1** Max. sash weight 15 kg  
1x Tilt-Only stay K-17138 lateral  
1x EURO-SOLID 6-27995 lateral

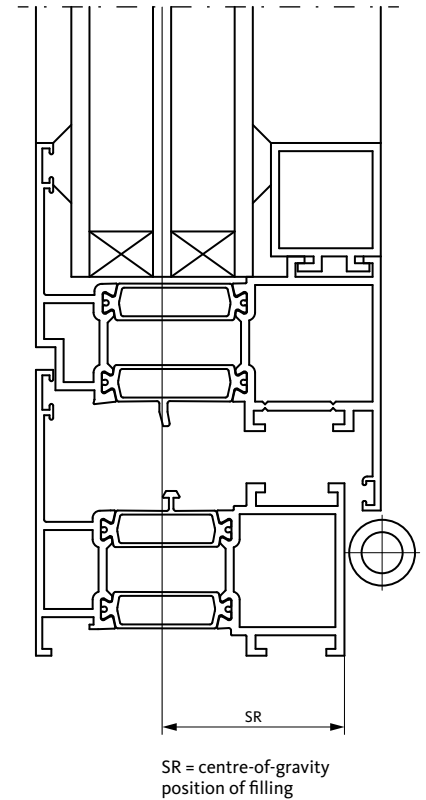
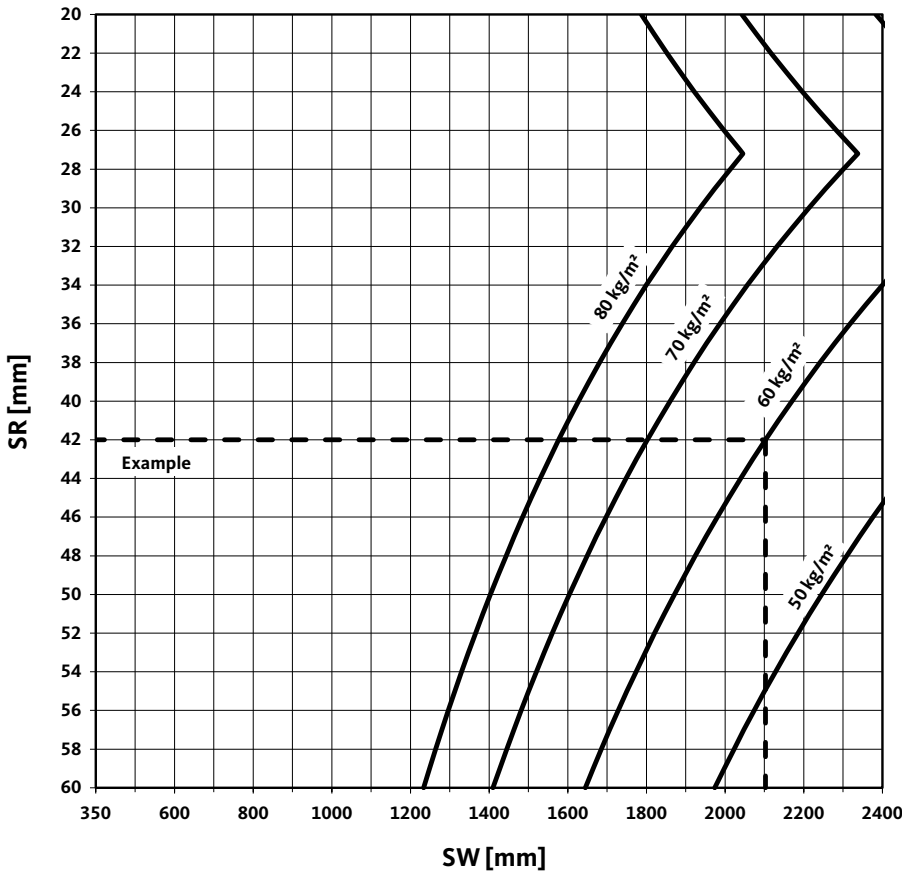
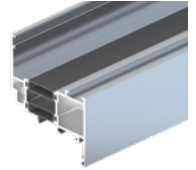
**4** Max. sash weight 80 kg  
2 x Tilt-Only stay U-76500 at the top  
2x EURO-SOLID 6-27995 lateral

**3** Max. sash weight 40 kg  
2 x Tilt-Only stay U-76500 at the top  
2x EURO-SOLID 6-27995 lateral

**Example:**  
Infill weight = 60 kg/m²  
SH = 900 mm, SR = 42 mm, SW > 1000 mm  
Result:  
1. A max. SW of 1480 mm  
2. For SW up to 2103 mm the opening and closing force does not exceed approx. 100 N.  
The smaller max. SW must be complied with. In this case 1480 mm.

# ALU-JET 10 application diagram

Tilt-Only window – surface-mounted hinge-side – based on a maximum opening and closing actuation force of roughly 100 N



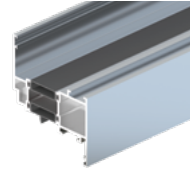
If sash formats to the right of the corresponding infill weight curve are selected, higher opening and closing forces (over 100 N) are to be expected.

**Attention:**

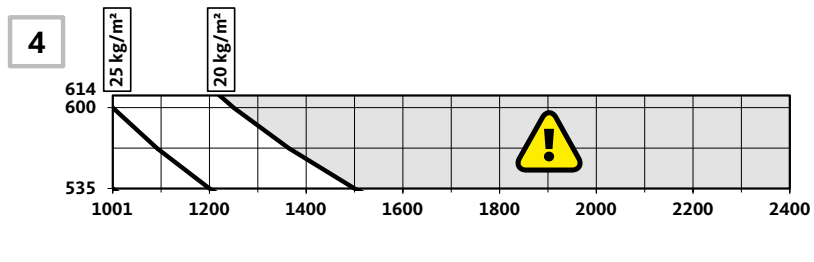
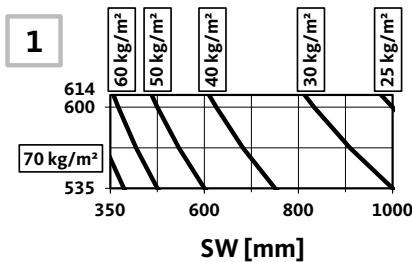
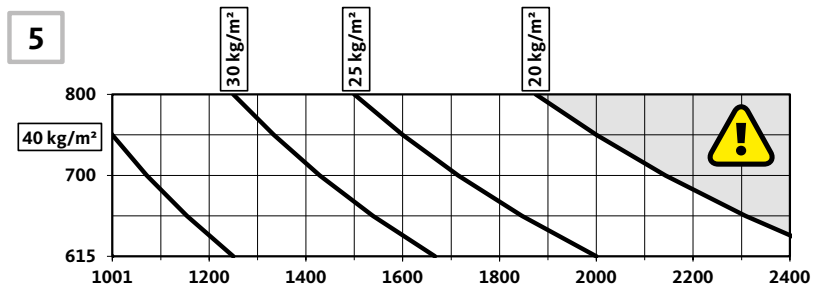
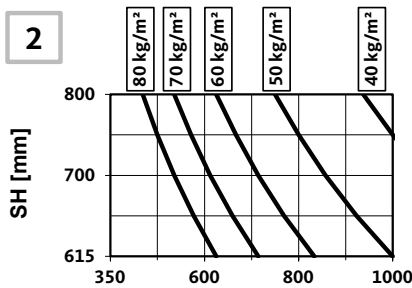
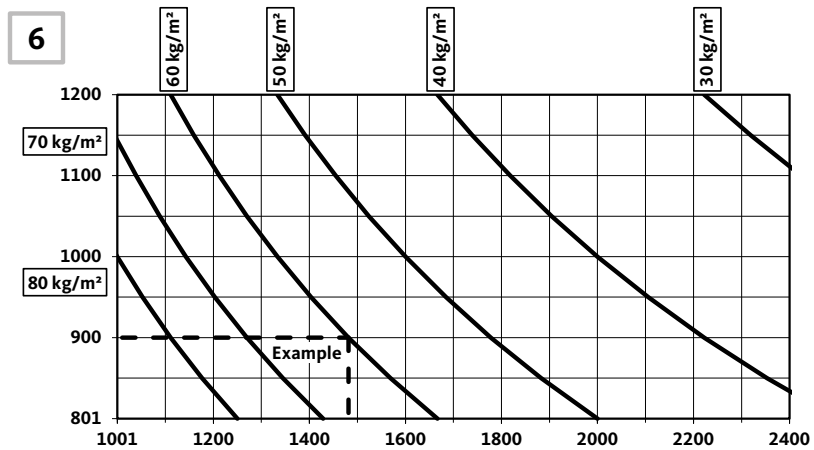
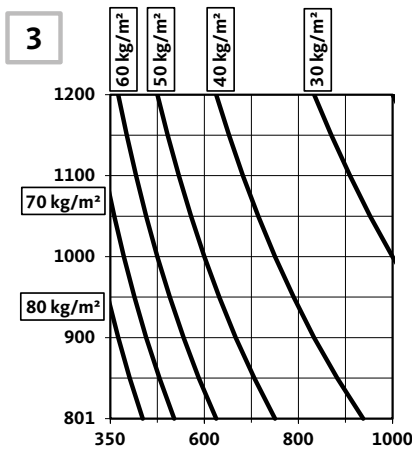
The forces for opening to the cleaning position and closing from the cleaning position may exceed 100 N!

# ALU-JET 10 application diagram

Tilt-Only window – concealed hinge-side – based on the maximum permissible sash weight



## Infill weight



Only sash formats below the respective glass weight graph are permissible.

**3** Max. sash weight 30 kg  
1x Tilt-Only stay K-17138 lateral  
1x EURO-SOLID 6-27995 lateral

**2** Max. sash weight 30 kg  
1x Tilt-Only stay K-17138 lateral  
1x EURO-SOLID 6-27995 lateral

**1** Max. sash weight 15 kg  
1x Tilt-Only stay K-17138 lateral  
1x EURO-SOLID 6-27995 lateral

**6** Max. sash weight 80 kg  
2 x Tilt-Only stay U-76500 at the top  
2x EURO-SOLID 6-27995 lateral

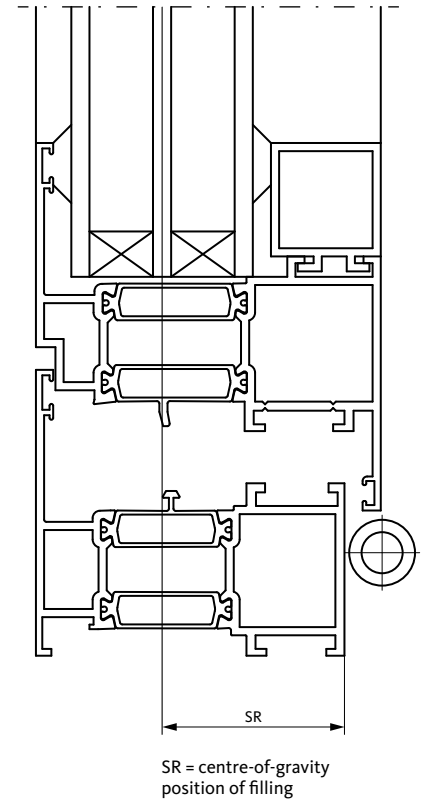
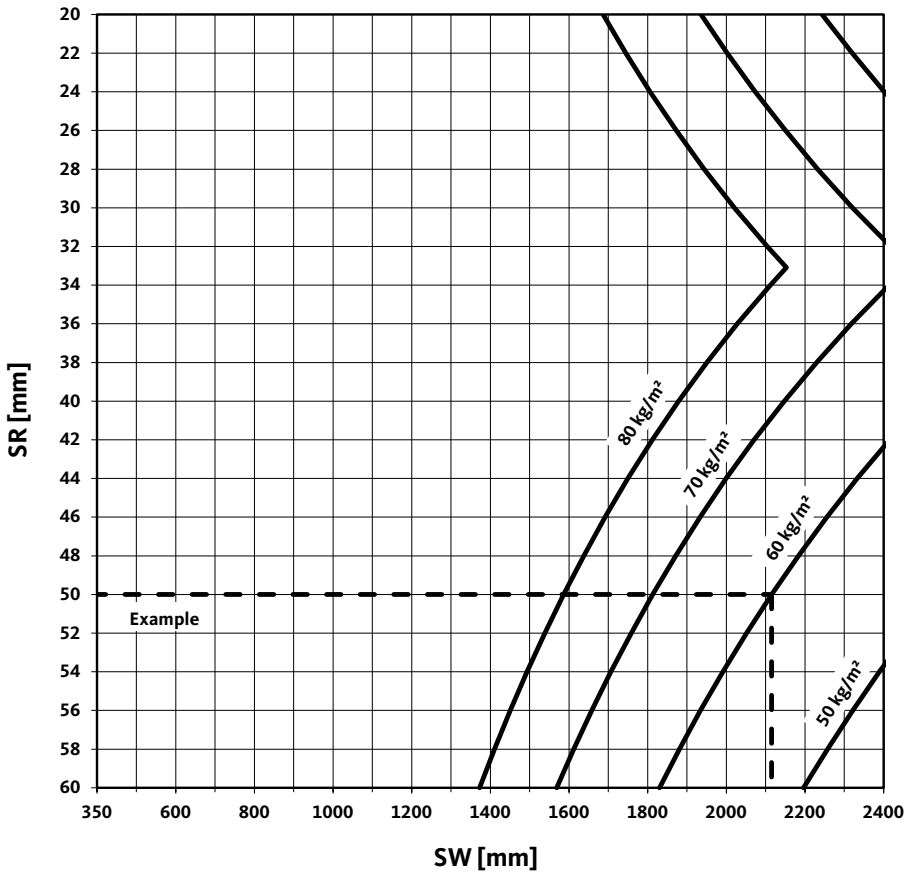
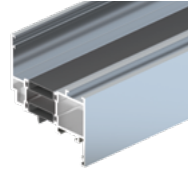
**5** Max. sash weight 30 kg  
2 x Tilt-Only stay U-76500 at the top  
1x EURO-SOLID 6-27995 lateral

**4** Max. sash weight 15 kg  
2 x Tilt-Only stay U-76500 at the top  
1x EURO-SOLID 6-27995 lateral

**Example:**  
Infill weight = 60 kg/m<sup>2</sup>  
SH = 900 mm, SR = 50 mm, SW > 1000 mm  
Result:  
1. A max. SW of 1480 mm  
2. For SW up to 2115 mm the opening and closing force does not exceed approx. 100 N.  
The smaller max. SW must be complied with. In this case 1480 mm.

# ALU-JET 10 application diagram

Tilt-Only window – concealed hinge-side –  
based on a maximum opening and closing actuation force of roughly 100 N



If sash formats to the right of the corresponding infill weight curve are selected, higher opening and closing forces (over 100 N) are to be expected.

**Attention:**

The forces for opening to the cleaning position and closing from the cleaning position may exceed 100 N!

# Documentation



|   | Reference No.  | Description  |
|---|----------------|--|
| <b>Brochure</b>   |                |  |
|   | WP00374-04-1-2 | The ALU-JET 10 Tilt&Turn hardware range                                  |
| <b>Installation instructions and installation drawings</b>  |                |  |
| <b>Standard central locking system</b><br>Tilt&Turn window   Tilt-First window  <br>Turn-Only window   Dummy-mullion sash | 0-48088-DL-0-0 | ALU-JET 10 T&T central locking system                                    |
|   | 0-48089-DF-0-0 | ALU-JET 10 TF central locking system                                     |
|   | 0-48090-DF-0-0 | ALU-JET 10 TU-ON central locking system                                  |
|   | 0-48091-DF-0-0 | ALU-JET 10 F&S central locking system                                    |
|   | 0-48665-DF-0-0 | ALU-JET 10 T&T+F&S central locking system (depending on profile system)  |
|   | 0-48936-DF-0-0 | ALU-JET 10 insertable gear backset                                       |
|   | 0-48682-DF-0-0 | ALU-JET 10 rosette-free turn handle                                      |
| <b>Central locking system RC</b><br>Tilt&Turn window   Tilt-First window  <br>Turn-Only window                            | 0-48092-DF-0-0 | ALU-JET 10 T&T + TU-ON central locking system - RC2                      |
|   | 0-48716-DF-0-0 | ALU-JET 10 TF central locking system - RC2                               |
|   | 0-48093-DF-0-0 | ALU-JET 10 T&T + TU-ON central locking system - RC3                      |
| <b>Hinge-sides</b><br>Tilt&Turn window   Tilt-First window  <br>Turn-Only window  | 0-48704-DF-0-0 | ALU-JET 510 surface-mounted hinge-side                                   |
|   | 0-49154-DF-0-0 | ALU-JET 710 surface-mounted hinge-side                                   |
|   | 0-47136-DF-0-0 | ALU-JET CC610 concealed hinge-side                                       |
|   | 0-48941-DF-0-0 | ALU-JET axial hinges and ALU-JET S800                                    |
| <b>Central locking system and hinge-sides</b><br>Tilt-Only window   | 0-48937-DF-0-0 | ALU-JET 10 surface-mounted hinge side and central locking system TI-ON   |
|   | 0-49059-DF-0-0 | ALU-JET 10 concealed hinge side and central locking system TI-ON         |
|   | 0-48940-DF-0-0 | ALU-JET S810 surface-mounted hinge side and central locking system TI-ON |
|   | 0-48986-NF-0-0 | EURO-SOLID restrictor and cleaning stay                                  |
| <b>Accessories</b>  | 0-49151-DF-0-0 | ALU-JET turn-restrictor  |
|   | 0-48976-DF-0-0 | ALU-JET 10 bullet-catch  |
|   | 0-49091-DF-0-0 | ALU-JET 10 turn blocker  |
|   | 0-49160-DF-0-0 | ALU-JET locking and opening monitoring                                   |
|   | 0-43471-NE-0-0 | EGO-B and EGO-FL window friction stay                                    |
| <b>Supplementary documents</b>  |                |  |
|   | 0-48838-DF-0-0 | Operation and maintenance instructions ALU-JET                           |





# Product information and intended use



## 1.1 Hardware versions

### 1.1.1 Turn-Only and Tilt&Turn hardware

#### Definition

For the purpose of this definition, Turn-Only and Tilt&Turn hardware is single-handle Turn-Only and Tilt&Turn hardware for windows and balcony-doors in building construction. Their purpose is to put window and balcony-door sashes in a turn-only position, or a tilt position which is restricted by the design of the stay, by operating a hand lever.

#### Intended use

Turn-Only and Tilt&Turn hardware is used for vertically installed windows and balcony-doors made of timber, PVC, aluminium or steel and combinations of these materials. For the purpose of this definition, conventional Turn-Only and Tilt&Turn hardware locks window and balcony-door sashes, or puts them into different ventilation positions. As a rule the opposing force of a gasket must be overcome when closing. The ALU-JET Turn-Only and Tilt&Turn hinge sides are not approved for use with outward-opening windows and balcony-doors.

### 1.1.2 Slide hardware

#### Definition

For the purpose of this definition, slide hardware is hardware for sliding sashes of doors and windows that are predominantly used as external terminations and are usually glazed. In combination with sliding sashes, fixed panels and/or additional sashes, e.g. cleaning revolving sashes, can be incorporated into one window element.

#### Intended use

Slide hardware is used in vertically-installed windows and balcony-doors made of timber, PVC, aluminium or steel, and corresponding combinations of these materials. For the purpose of this definition, slide hardware is hardware that is equipped with a locking system that locks the sliding sash as well as rollers that are located on the lower horizontal flange of the sliding sash. In addition, stay arms for tilting and mechanisms for lifting and parallel parking of leaves can be provided. The sashes are locked, put into the ventilation position and slid to one side via the hardware. Depending on the outdoor temperature, relative humidity of the room air and the installation situation of the sliding element, condensation may form temporarily on the aluminium rails on the inside of the room. This is particularly likely to occur if the circulation of air is obstructed, e.g. by deep reveals or curtains, and if radiators or similar fixtures are in unfavourable locations.

### 1.1.3 Fanlight hardware

#### Definition

Fanlight hardware opens and closes windows or flaps with different opening types – especially Tilt-Only and Top-Hung sashes – used in building construction. Their purpose is to effect non-positive opening and closing of window sashes that are out of human reach by operating a hand lever connected to an opening stay via a linkage. The hand lever is mounted on the frame or masonry. As before, the opening stay can be operated via a crank mechanism, an electric motor, compressed air cylinder or via hydraulic cylinders. The surface of the fanlight hardware is rustproof.

#### Intended use

Fanlight hardware is used with windows made of timber, PVC, aluminium or steel and corresponding combinations of these materials. Opening stays that are adapted to the corresponding conditions and feature a range of scissor systems are used to achieve different window opening types and in accordance with the different installation options in the building. The opening stays put the window sashes into the various ventilation positions and lock them. Any other use is not in accordance with the intended use. Burglar-inhibiting windows, windows for damp rooms and for use in environments with aggressive corrosive air contents require special hardware. Open windows can only perform a shielding function and do not satisfy the requirements for impermeability of joints, resistance to driving rain, sound insulation, thermal insulation and burglar inhibition. The guidelines for power-operated doors and gates must be observed for windows that are within human reach – below 2500 mm above finished floor level – and that are driven by electric motors, compressed air cylinders or hydraulic cylinders. Once the window has been cleaned, the opening stay must be attached in accordance with the manufacturer's instructions and secured. With inwards or outwards-opening tilt sashes, restrictor stays that restrict the tilting movement of the leaf once the opening stay has been detached (catch position) must be provided in addition to fanlight hardware. The catch position is slightly larger than the opening width of the opening stay. Tilt sashes must be secured in the cleaning position so that the hinges cannot be subjected to impermissibly high loads. The windows must be closed if it is windy or draughty. To prevent damage, the hand lever must be brought into the envisaged final position.



#### 1.1.4 Horizontal-Pivot and Vertical-Pivot hardware

##### Definition

For the purpose of this definition, Horizontal-Pivot and Vertical-Pivot hardware is used for one-handle operation of windows in building construction. Their purpose is to put windows into a ventilation position using a hand lever; this position can also be limited by the operating handle or a block in the horizontal pivot.

##### Intended use

Horizontal-Pivot and Vertical-Pivot hardware is used with vertically-installed windows made of timber, PVC, aluminium or steel and corresponding combinations of these materials. For the purpose of this definition, conventional Horizontal-Pivot and Vertical-Pivot hardware locks the windows and puts them in different ventilation positions. When closing, the opposing force of a gasket may need to be overcome.

#### 1.1.5 Additional hardware for Turn-Only and Tilt&Turn hardware, fanlight hardware

##### Definition and intended use

For the purpose of this definition, rebate stays as well as rebate and cleaning stays in fanlight openers limit the tilting movement of the window sash once the stay has been detached. The catch position thus achieved is slightly larger than the opening width achieved by the opening stay. Rebate and cleaning stays also hold the window sash in the cleaning position. For the purpose of this definition, hardware for coupled sashes consists of hinges that allow the coupled sash to be opened to clean the inner surfaces of the glass and couplings that lock the coupled sash on the side opposite the hinge. Operation of the coupled sash hardware for any other purpose other than cleaning the glass does not correspond to the intended use. For the purpose of this definition, window friction stays restrict the movement of Turn-Only sashes and of Tilt&Turn sashes in turning position – e.g. by means of friction. Depending on the intensity of the friction, they have the effect of fixing the sash in position without limiting the opening. For the purpose of this definition, hanging bearings are Tilt-Only hinges that, due to the position of their centre of rotation and because a maximum dimension for the sash overlap of the window sash below is taken into account, allow the tilt sash to be opened by 180°. When this additional hardware is used, the product information on the main hardware and information on its intended use must be observed.

#### 1.2 Deviating usage – Exclusion of liability

Any use other than the intended use is considered as unintended use and leads to exclusion of liability.

#### 1.3 Notes regarding use restrictions

Opened balcony-door and window sashes as well as window and balcony-door sashes that are not locked or put in the tilt position only provide a shielding function and do not satisfy the requirements for joint impermeability, resistance to driving rain, sound insulation, thermal insulation and burglar inhibition. Windows and balcony-doors must be closed and locked if wind or draughts are present. Wind and draughts are present if the window or balcony-door opens and closes of its own accord without control in one of the opening positions due to air pressure/suction. Window and balcony-door sashes can only be fixed in the open position with additional locking hardware.

#### 1.4 Necessity of special agreements in case of extended requirements

Burglar-inhibiting windows and balcony-doors and windows and balcony-doors for damp rooms and for use in environments whose air contains aggressive and corrosive substances require hardware with performance characteristics that are harmonised and agreed separately for each individual application. Their resistance to wind loads when closed and locked depends on the construction of the relevant window and balcony-door. If it is necessary to absorb specified wind loads (according to EN 12210 for example – especially testing pressure p<sub>3</sub>), suitable hardware combinations must be coordinated and agreed on the basis of the window or balcony-door construction and frame material. Generally the hardware as defined in 1.1 meets the requirements of barrier-free apartments (e.g. according to DIN 18040). However, corresponding hardware combinations and installations are required in the windows and balcony-doors that must be coordinated and agreed separately.

#### 1.5 Hardware for openable, fall-arresting construction elements

The hardware components listed in this document are not suitable for use in openable, fall-arresting construction elements according to the ISAB publication of the Quality Assurance Association for Locks and Hardware.

# Misuse, liability and product performance



## 2. Misuse

Misuse – i.e. use of the product not in accordance with the intended use – of the hardware described under 1:1 for balcony-doors and windows specifically refers to the following cases in particular.

- if obstructions are placed in the opening area between the frame and sash thus making its intended use more difficult or preventing it altogether,
- if additional loads act on the window or balcony-door sashes (i.e. children swinging on these),
- if window and balcony-door sashes are pushed or even slammed in a manner which is not in accordance with their intended purpose or is not controlled (e.g. due to wind) with the result that either the hardware, frame materials or other individual parts of the window sashes or balcony-doors are damaged or destroyed or where consequential damage could occur,
- if persons reach between the sash and frame or if a person or part of their body are in this area (danger to life and limb) when closing (or pushing shut).

### Additional points to observe in relation to fanlight hardware

- if the stay-arms are not attached and secured in compliance with the manufacturer's instructions,
- if the window sash is not carefully put into the cleaning position when the opening stay is released.

## 3. Liability

The entire hardware set in each case may only consist of GU hardware components. Liability is excluded where combinations not approved by Gretsche-Unitas GmbH are used, and/or the hardware is installed incorrectly and/or non-genuine or non factory-approved accessory parts are used.

In order to establish screw connections correctly, refer to the instructions on the GU working drawings and the GU installation instructions. If PVC or light metal profiles are used, the specifications of the profile manufacturer or system owner must be observed. The window manufacturer is fundamentally responsible for ensuring that the specified system dimensions (e.g. gasket gap dimensions) are complied with. These must be regularly checked, especially when using for the first time. As a basic rule, the hardware components must be configured so that the system dimensions, if influenced by the hardware, can be adjusted. If a deviation from these dimensions is identified once the window has been installed and a defect occurs as a result, liability will not be assumed for the additional expenditure incurred.

## 4. Product performance – information on application by manufacturer

### 4.1 Maximum sash weight

The sash weights and maximum sash dimensions prescribed by the manufacturer for the individual hardware versions must not be exceeded. The component with the lowest permissible load-bearing capacity determines the max. sash weight. Application diagrams and assignment of components must be observed.

### Additional points to observe in relation to fanlight hardware

Apart from the sash weight, the distance between the sash's centre of gravity and its pivot point is decisive for determining the maximum permissible sash dimensions. When determining the maximum sash size and the number of coupled sashes, it is important to observe the manufacturer's instructions for the various types of drive.

### 4.2 Sash sizes

The application diagrams in the planning documents, product catalogues or hardware installation instructions show the relationships between the permissible sash widths and sash heights and different glass weights or total glass thicknesses. The sash dimensions or orientation (portrait or landscape format) thus determined – as well as the maximum sash weight – must on no account whatsoever be exceeded.

### 4.3 Composition of hardware

The specifications of the manufacturer regarding hardware configuration (e.g. use of additional stays, design of hardware for burglar-inhibiting window and balcony-door sashes, etc.), are binding.



## 5. Product maintenance

### 5.1 General notes

Safety-relevant hardware components must be checked at least once a year to ensure they are secure and not worn. If necessary, fixing screws must be re-tightened or the parts replaced. Furthermore the following verifiable maintenance work must be carried out at least once a year:

- Operational check and lubrication of all moving parts and locking points.
- Only cleaning agents and care products that do not interfere with the corrosion protection of the hardware may be used.

Adjustment work on the hardware – particularly in the area of pivot rests, bogies or stays – as well as parts replacement and hinging/unhinging of the opening sashes, must be carried out by specialists only. When a surface treatment is applied – e.g. painting or varnishing – to the window and balcony-doors, all hardware components must be excluded from the treatment and therefore protected against contamination.

### 5.2 Maintaining the quality of the surface finish

Electrolytically applied zinc coatings are not affected by normal room climates, providing condensation does not form on the hardware components or that condensation that occasionally forms is able to quickly dry. To maintain the surface quality of the hardware components on a lasting basis and prevent defects as a result of corrosion, observe the following points without fail:

- The hardware or rebate areas must be sufficiently ventilated – especially in the construction phase – to ensure they are not exposed directly to the effects of moisture or condensation. Ensure by taking appropriate (and lasting) measures that moist room air cannot condense in the rebate areas.
- The hardware must be kept free of deposits and contamination by construction materials (building dust, gypsum plaster, cement, etc.). Any plaster, mortar or similar must be removed prior to hydration with water.
- Aggressive vapours (e.g. caused by formic acid or acetic acid, ammonia, amine or ammonia compounds, aldehyde, phenols, chlorine, tannic acid, etc.) may promote rapid corrosion of the hardware components when combined with even small amounts of condensation. These kind of vapours must therefore be kept away from the window without fail.
- With windows and balcony-doors made of oak timber or another species containing a high proportion of (tannic) acid, make sure by applying a suitable surface treatment to the window that these substances cannot evaporate from the timber. The hardware must not come into direct contact with an untreated timber surface.
- Furthermore, acetic or acid cure sealants or sealants containing the ingredients referred to above must not be used as both direct contact with the sealant as well as the vapours it produces can attack the surface of the hardware.
- The hardware must only be cleaned using mild, pH-neutral cleaning agents in diluted form. Aggressive cleaners containing acid with all the ingredients referred to above or scouring agents must never be used.

# Duty to inform and to instruct

## Use for similar hardware



### 6. Duty to inform and to instruct

In order to fulfil the duty to inform and instruct and also carry out maintenance work, the following documents in particular are available and must be forwarded via every intermediary and fabricator through to the end customer:

- Planning documents
- Product catalogues
- Hardware installation instructions
- Maintenance and care instructions as well as operating instructions for building owners and users

hereafter referred to as a whole or in part as "Product information" only for short.

In order to ensure the reliability of the corresponding function of windows and balcony-doors:

- planners must obtain and observe the "Product information" from the manufacturer or specialist retailer,
- specialist retailers must observe the "Product information" – particularly in relation to advertising measures – and hand this to the next specialist dealer and/or fabricator with the instructions also to pass these on to their purchaser,
- fabricators must observe the "Product information" and in particular pass the maintenance and care instructions and operating instructions to the clients and users.

### 7. Use for similar hardware

The possible variants within the individual hardware systems – e.g. Tilt-Only and Top-Hung sash hardware, or those that offer a ventilation position instead of or in addition to the tilt position where the sash is parked parallel in order to produce a continuous all-round gap – must be dealt with, depending on the relevant characteristics, in a similar fashion in terms of product information and intended use, misuse, product performance, product maintenance and duty to inform and instruct.

#### Information from the Lock and Hardware Industry Trade Association e.V., Velbert

Velbert POB 10 03 70, 42503 Velbert, Germany

The following documentation concerning the correct handling of hardware for windows and balcony-doors with detailed information and explanatory pictograms can be downloaded from the association's website:

- Hardware for windows and balcony-doors – guidelines/advice on product and liability.
- Hardware for windows and balcony-doors – guidelines/advice for end users.
- Attachment of load-bearing components for Turn-Only and Tilt&Turn hardware with definitions for Turn-Only and Tilt&Turn hardware and also possible installation positions.

<http://www.fvsb.de/ggsb/richtlinien.asp>

# 10-year guarantee, exclusion of liability



## 10 year guarantee – ALU-JET for aluminium window systems

In addition to the statutory rights in accordance with general sales, supply & payment conditions, Gretsch-Unitas GmbH Baubeschläge offers its contractual partners in purchase contracts the following guarantee on all load-bearing parts (with the exception of electronic components) supplied within the scope of the GU ALU-JET hardware programme:

### Guarantee promise

Gretsch-Unitas GmbH Baubeschläge guarantees all load-bearing parts against breakage during the guarantee period, providing the guarantee conditions are complied with.

The **guarantee period** is 10 years, beginning with the delivery of the goods (§ 477 German Civil Code).

### We agree to provide the following guarantee

In the event of any material breakage, a replacement will be delivered free of charge (the parts must be installed by a specialist, damage arising from inappropriate installations shall not be chargeable to Gretsch-Unitas GmbH Baubeschläge). Should any parts be discontinued, then an alternative part of equal specification will be delivered. Any such parts claimed under the terms of this guarantee will be delivered to the delivery address of the original sales invoice.

### Terms of guarantee

The guarantee is deemed valid only on condition that the hardware has been installed by a competent person and operated correctly and in full accordance with the manufacturers' guidelines and that it can be demonstrated that the following maintenance works have been carried out at least once a year:

- Operational check and lubrication of all moving parts and locking points. Only cleaning agents that do not affect the corrosion protection may be used.
- The surface is subject to guarantee only if the hardware has not been affected by aggressive substances from the frame material, the paint finish or the environment.
- All size and weight limitations as specified in the installation instructions must be observed. All security-relevant hardware components must be checked regularly for secure fixing and wear and tear. If necessary, fixing screws must be re-tightened or the parts replaced. Adjustment, parts replacement and hinging/unhinging of opening sashes are to be carried out by specialists only.

In the event of any claim, a written notification within the guarantee period and within 6 months of the product failure is required. Claims under the guarantee shall be time-barred after 6 months following the incident which led to the claim.

Our guarantee liability in accordance with the provisions in our General Terms and Conditions is not limited by this promise of guarantee within the duration of the statutory warranty period. Likewise, the statutory warranty liability is not extended by this guarantee promise. Claims arising from this additional guarantee promise can only be derived on the basis of the guarantee stated above and do not cover any compensation claims, assembly/disassembly costs or similar.

### Exclusion of liability

The products of the Gretsch-Unitas group are permanently adapted and developed to meet the growing demands of the market.

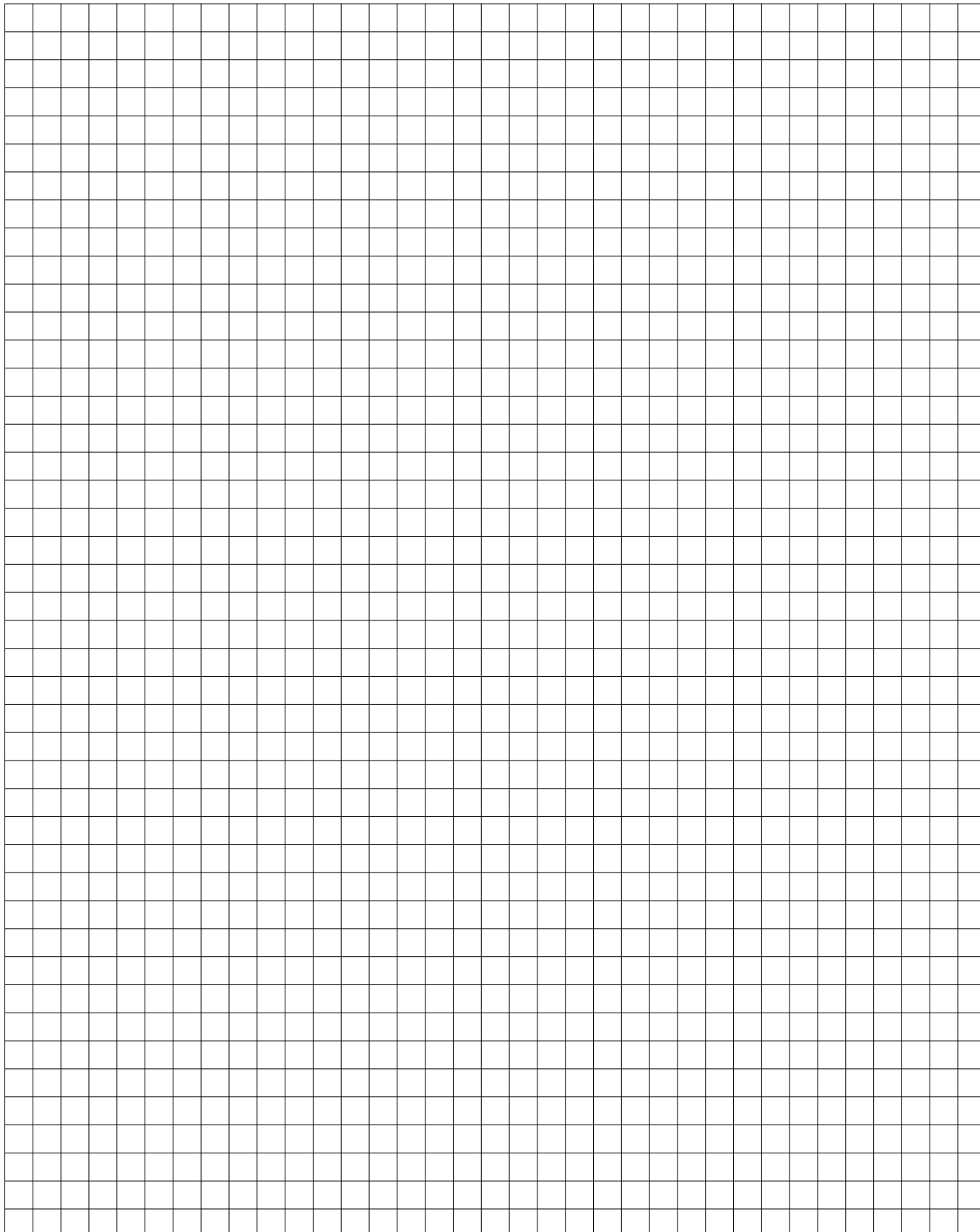
We also reserve the right to make changes during the course of technical development.

The necessity for this is based on:

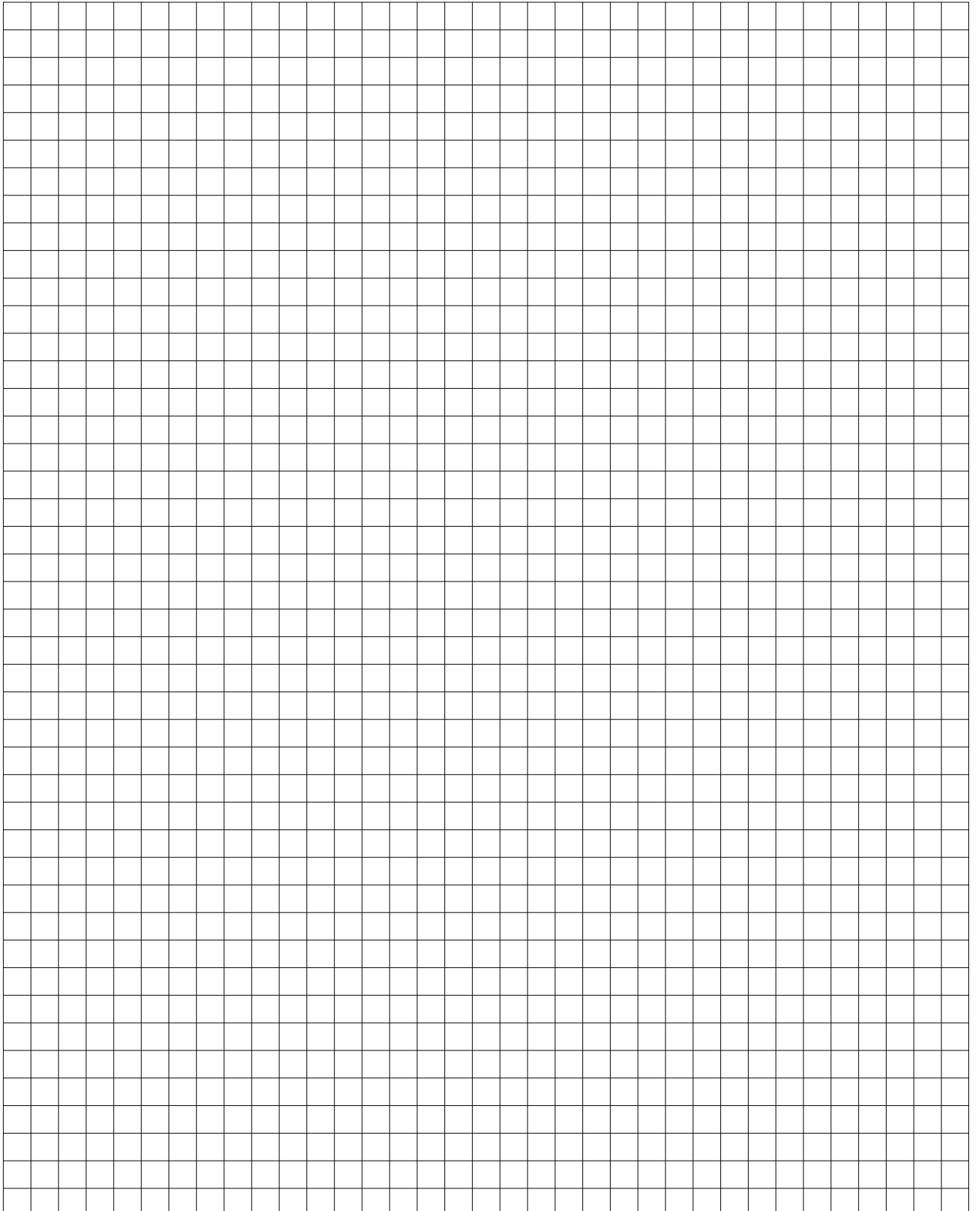
- Technical development
- Changes and adaptations in the product range
- Adaptation to changes in legislation and technical standards

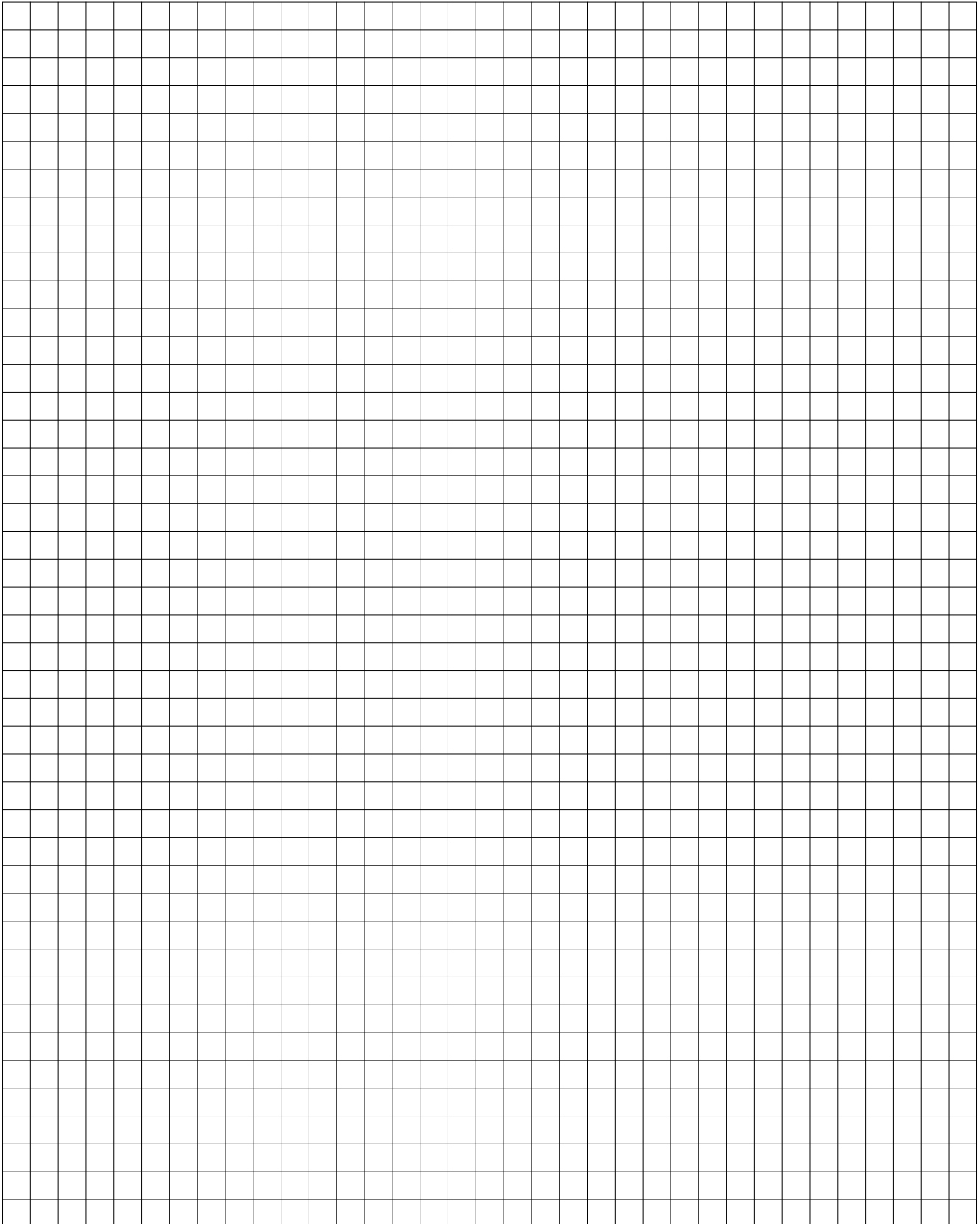
The content of our documents was compiled with the greatest possible care. However, we accept no responsibility for errors or inaccuracies in relation to representation and description of the products.

Thank you for your understanding.











## **Indication character of the technical information, exclusion of liability**

The technical documents are general information based on our experience and tests and therefore do not take any specific application into account. They are intended as general information and for initial orientation only, and must not be used as the decision-making basis. They reflect the version of the catalogue at the time of going to press. Although we have made every attempt to ensure the information provided here is accurate, it is non-binding. It should be adapted to the respective construction projects, usage and specific on-site demands. As a consequence of further developments, but also in order to take current developments into account and to exclude printing errors or other mistakes, you will find the current version of the binding technical documents at [www.g-u.com](http://www.g-u.com). Be sure to use the latest edition of our technical documents.

The product images shown in the publication may differ from the actual product, particularly as a result of technical improvements. We would also like to draw your attention to the current information at the website mentioned above.

## **Copyright notice**

© All illustrations and texts in this publication are protected by copyright. Unless otherwise stated in the image, the rights belong to the Gretsch-Unitas group. Any use of copyright protected materials without the consent of the holder of the rights is prohibited.

Publisher  
Gretsch-Unitas GmbH  
Baubeschläge  
Johann-Maus-Str. 3  
71254 Ditzingen  
Germany  
Tel. +49 71 56 3 01-0  
Fax +49 71 56 3 01-2 93  
[www.g-u.com](http://www.g-u.com)



WINDOW TECHNOLOGY  
DOOR TECHNOLOGY  
AUTOMATIC ENTRANCE SYSTEMS  
BUILDING MANAGEMENT SYSTEMS

Gretsch-Unitas GmbH  
Baubeschlage  
Johann-Maus-Str. 3  
71254 Ditzingen  
Germany  
Tel. +49 7156 301-0  
Fax +49 7156 301-77980

BKS GmbH  
Heidestr. 71  
42549 Velbert  
Germany  
Tel. +49 2051 201-0  
Fax +49 2051 201-9733

[www.g-u.com](http://www.g-u.com)

WP00082-04-1-1 03/2024

Securing technology for you

