

DOOR TECHNOLOGY

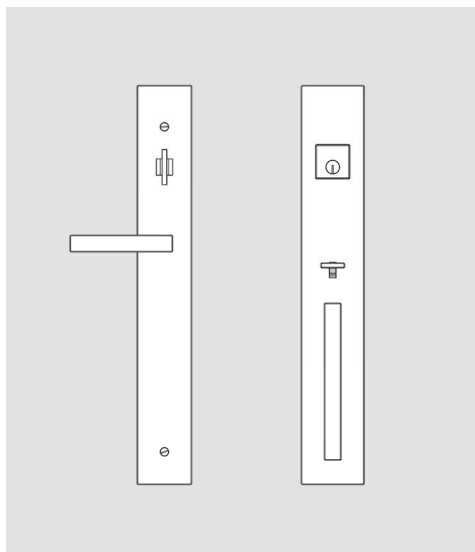


Grip Set Handles Installation Instructions for Active Doors

EN

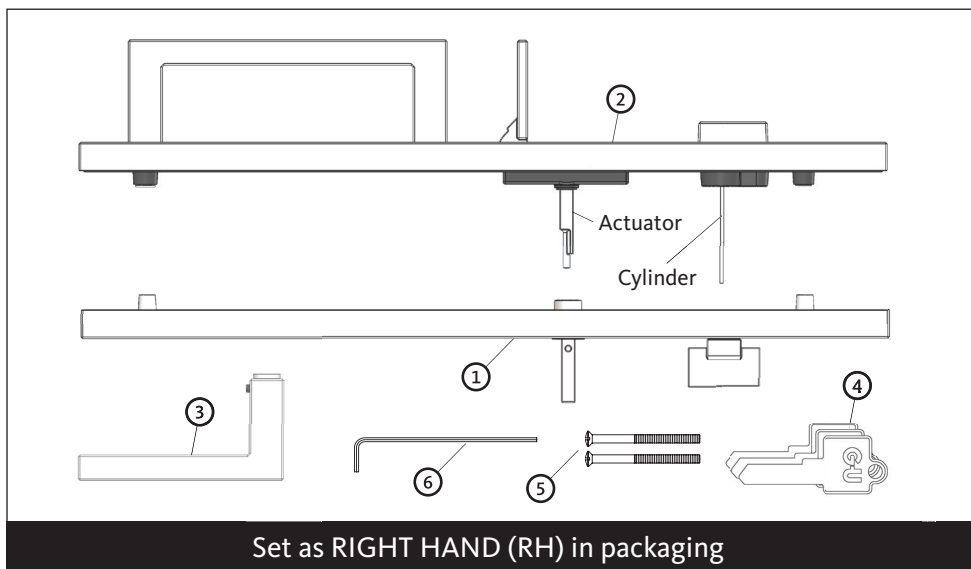
Securing technology for you

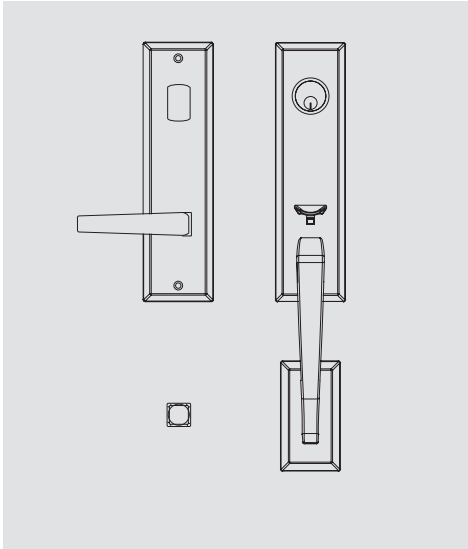




What's in the box

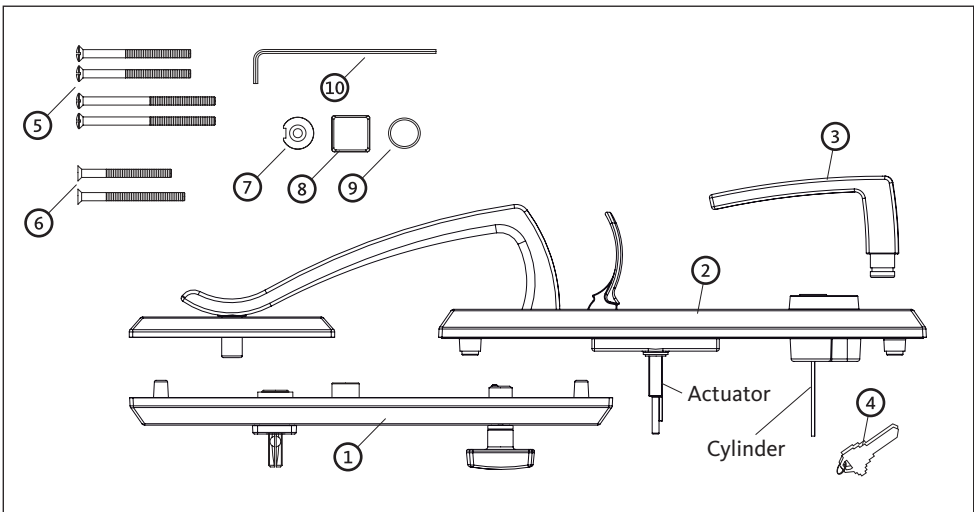
Pos	Qty	Description
①	1	Interior plate
②	1	Exterior handle set with cylinder, actuator and gasket
③	1	Interior handle with set screw
④	1	Set of three keys
⑤	2	M5 x 65mm installation screws for 1 3/4" doors
⑥	1	Allen key 2,5mm x 100mm





What's in the box

Pos	Qty	Description
①	1	Interior plate with knob
②	1	Exterior handle set with cylinder, actuator and gasket
③	1	Interior handle with set screw
④	1	Set of two keys
⑤	2	M5 x 65mm installation screws for 1 3/4" doors
	2	M5 x 75mm installation screws for 2 1/4" doors
⑥	1	M5 x 45mm bottom screw for 1 3/4" doors
	1	M5 x 60mm bottom screw for 2 1/4" doors
⑦	1	Bottom screw washer
⑧	1	Bottom screw cover with set screw
⑨	1	Handle nylon washer
⑩	1	Allen key 2,5mm x 100mm

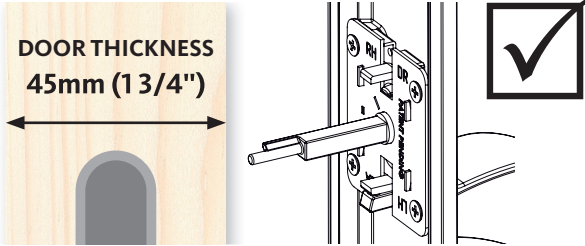


Set as RIGHT HAND (RH) in packaging

Door Thicknesses

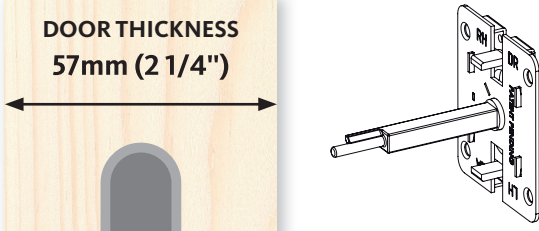


DOOR THICKNESS
45mm (1 3/4")



INCLUDED
ACTUATOR
MOUNTED
ON THE
EXTERIOR PLATE

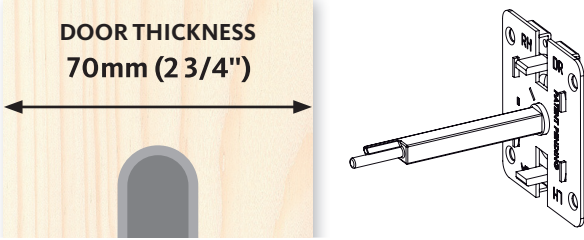
DOOR THICKNESS
57mm (2 1/4")



SOLD
SEPARATELY

ACTUATOR KIT
K-C2054-57-0-0

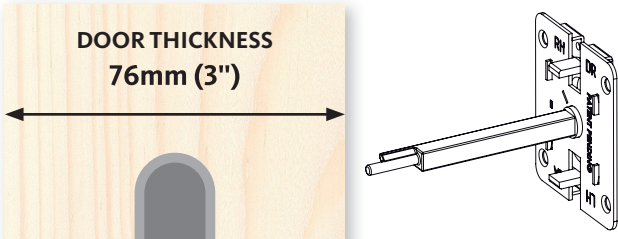
DOOR THICKNESS
70mm (2 3/4")



SOLD
SEPARATELY

ACTUATOR KIT
K-C2054-70-0-0

DOOR THICKNESS
76mm (3")

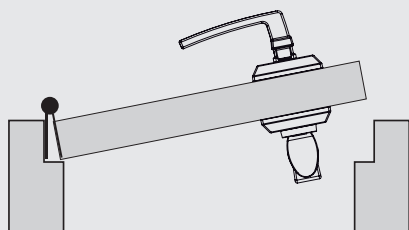


SOLD
SEPARATELY

ACTUATOR KIT
K-C2054-76-0-0

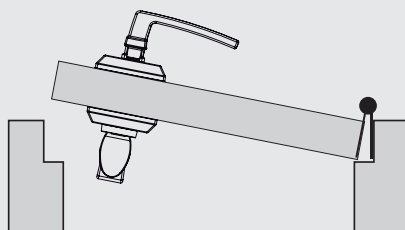


INSIDE



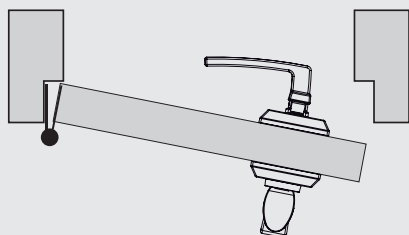
OUTSIDE

INSIDE



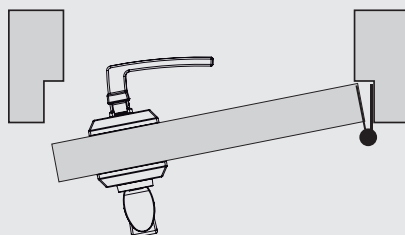
OUTSIDE

INSIDE



OUTSIDE

INSIDE



OUTSIDE

LH

LEFT HANDED DOOR

START STEP 1

RH

RIGHT HANDED DOOR

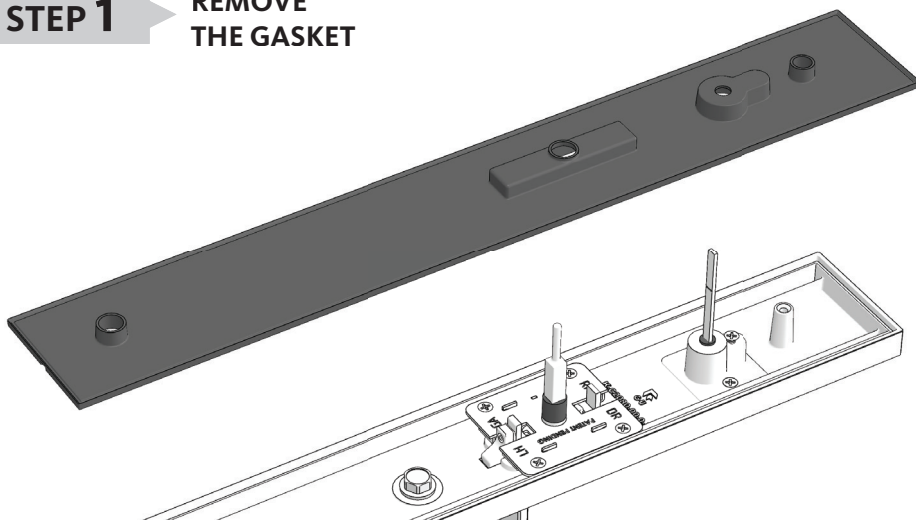
GO TO STEP 5

Left Handed Doors (LH)

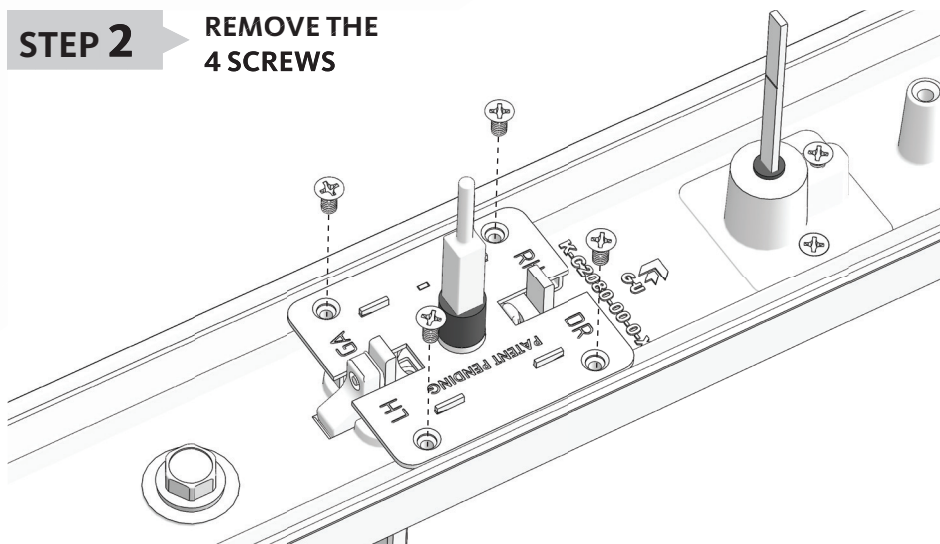
Reverse the actuator on the exterior plate



STEP 1 REMOVE THE GASKET



STEP 2 REMOVE THE 4 SCREWS



Left Handed Doors (LH)

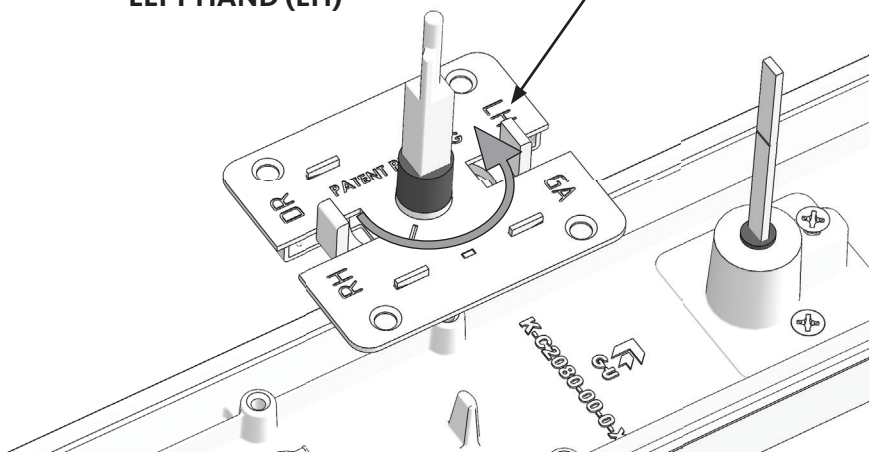
Reverse the actuator on the exterior plate



STEP 3

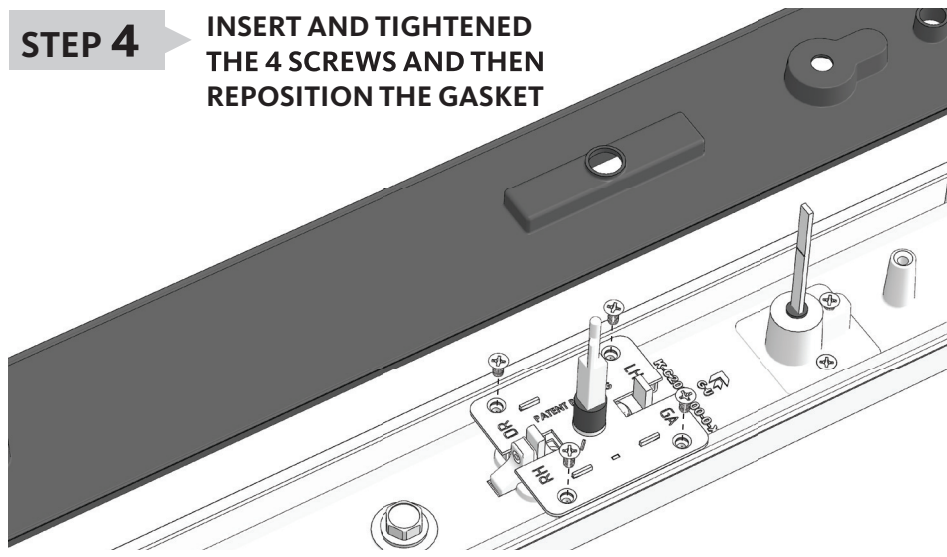
TURN THE ACTUATOR
180 DEGREES TO SET
LEFT HAND (LH)

LH



STEP 4

INSERT AND TIGHTENED
THE 4 SCREWS AND THEN
REPOSITION THE GASKET



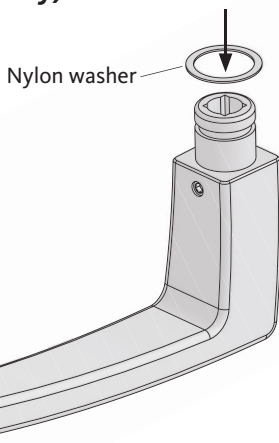
Install the Handle

On the interior plate



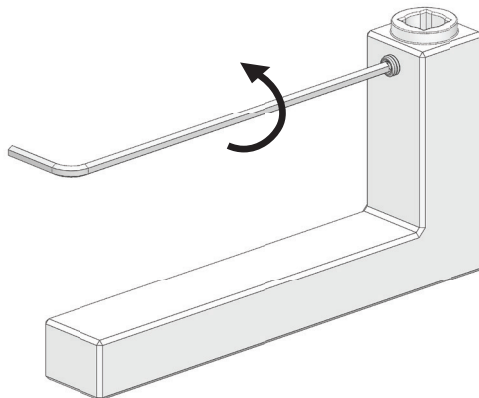
STEP 5

**PLACE THE NYLON WASHER
OVER THE HANDLE SHAFT
(for BERKELEY only)**



STEP 6

**LOOSEN THE SET SCREW WITH
2,5mm ALLEN KEY**



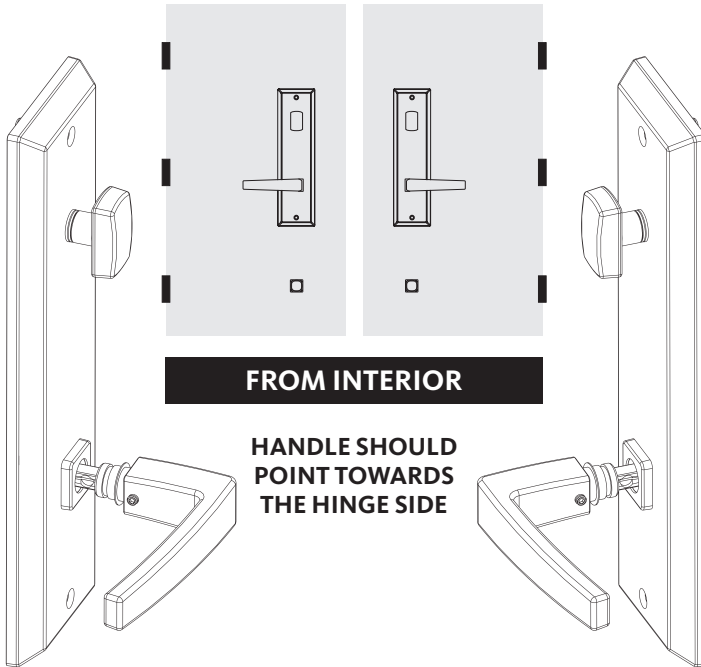
Install the Handle

On the interior plate



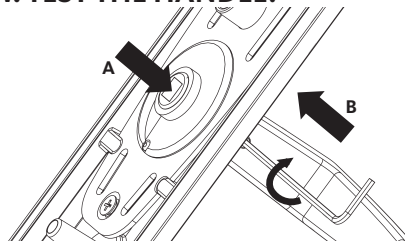
STEP 7

**PLACE THE HANDLE
OVER THE SPINDLE**



STEP 8

**COMPRESS BACK END OF THE SPINDLE (A)
AND HANDLE (B) TOGETHER AND SECURELY TIGHT
THE SET SCREW. TEST THE HANDLE!**



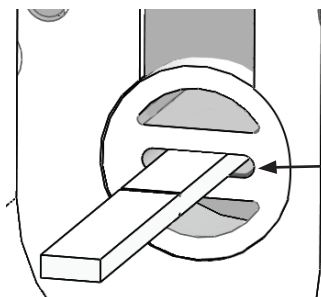
Install the Exterior Assembly

On the door panel

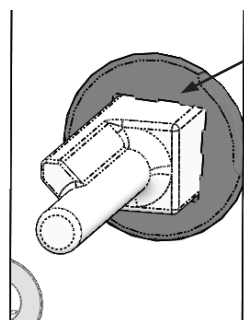


STEP 9

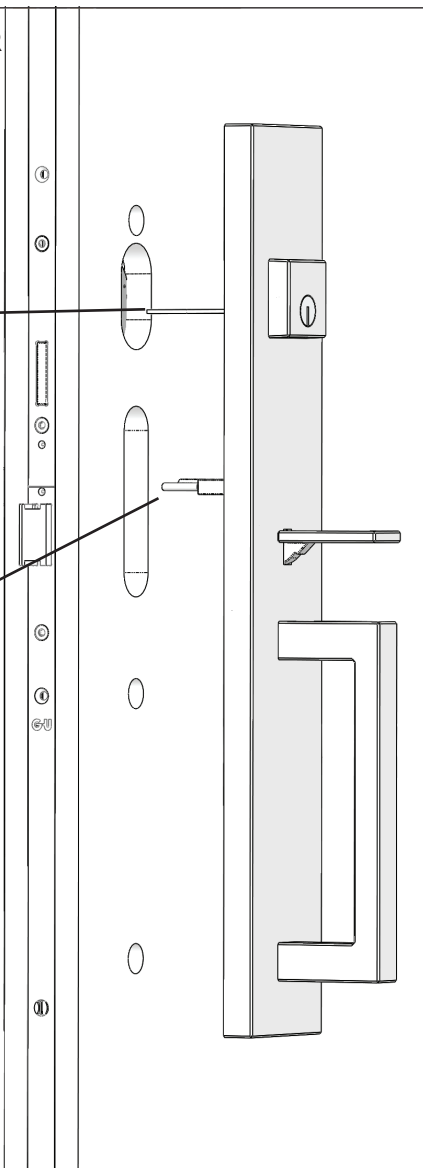
POSITION THE EXTERIOR HANDLE ASSEMBLY IN FRONT OF THE CUTOUT



PUSH THE CYLINDER TAIL THROUGH THE CYLINDER SLOT



AT THE SAME TIME PUSH THE SPINDLE THROUGH THE SPINDLE HOLE OF THE DOOR GEAR

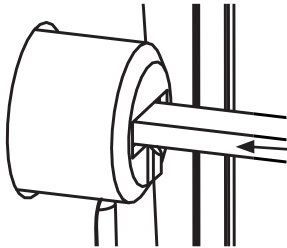


Install the Interior Assembly

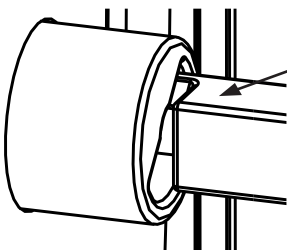
On the door panel



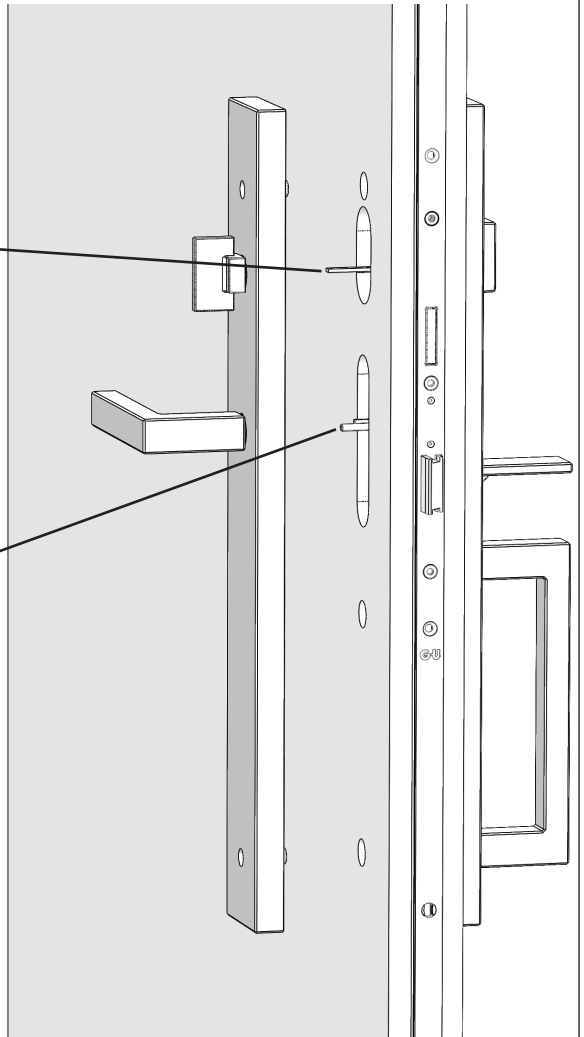
STEP 10 POSITION THE INTERIOR HANDLE ASSEMBLY IN FRONT OF THE CUTOUTS



PLACE THE KNOB
OVER THE CYLINDER
TAIL PIECE



PLACE THE HOUSING
OVER THE SPINDLE



Install the Interior Assembly

On the door panel



STEP 11

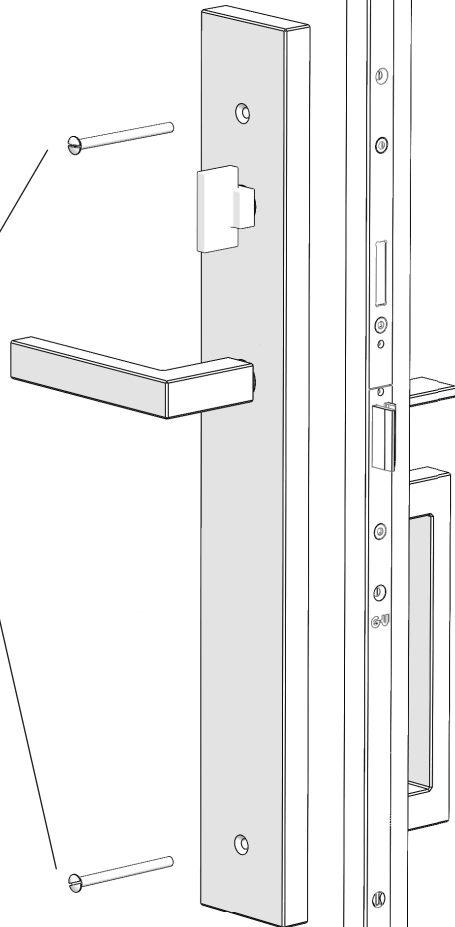
FASTEN THE INTERIOR PLATE TO THE EXTERIOR PLATE (for BERLIN only)



USE TWO M5 X 65mm FOR 1 3/4" DOORS



USE TWO M5 X 75mm FOR 2 1/4" DOORS (PROVIDED IN THE K-C2054-57-0-0 ACTUATOR KIT)



Install the Interior Assembly

On the door panel




STEP 11

FASTEN THE INTERIOR PLATE TO THE EXTERIOR PLATE (for BERKELEY only)

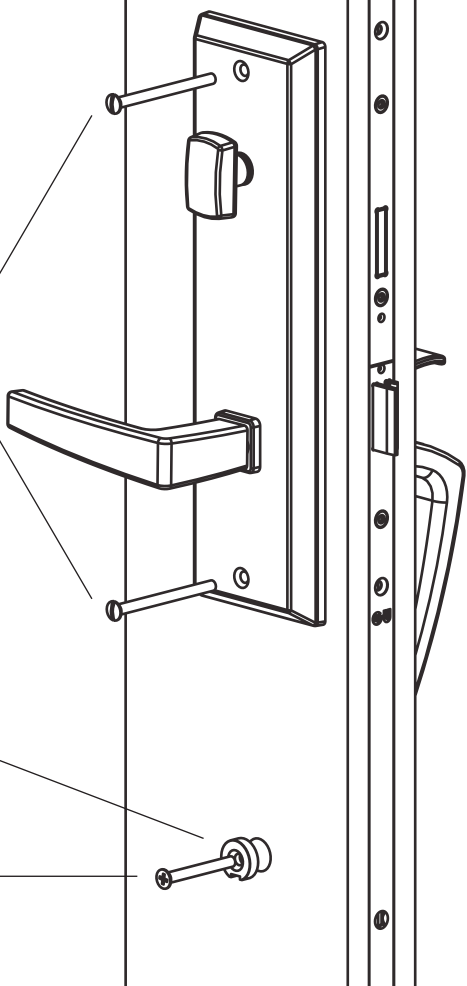
 **USE TWO M5 X 65mm FOR 1 3/4" DOORS**

USE TWO M5 X 75mm FOR 2 1/4" DOORS

SCREW WASHER

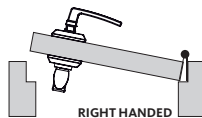
 **USE M5 X 45mm FOR 1 3/4" DOORS**

USE M5 X 60mm FOR 2 1/4" DOORS



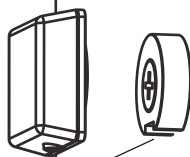
Install the Bottom Screw Cover

On the door panel (for BERKELEY only)

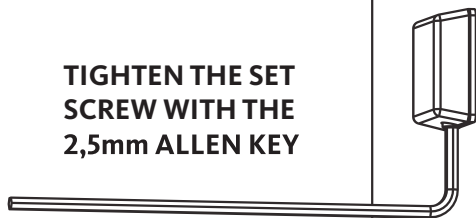


STEP 12 for BERKELEY only

THE SLOT ON THE
SCREW WASHER
MUST FACE DOWN
TO RECEIVE THE
SET SCREW



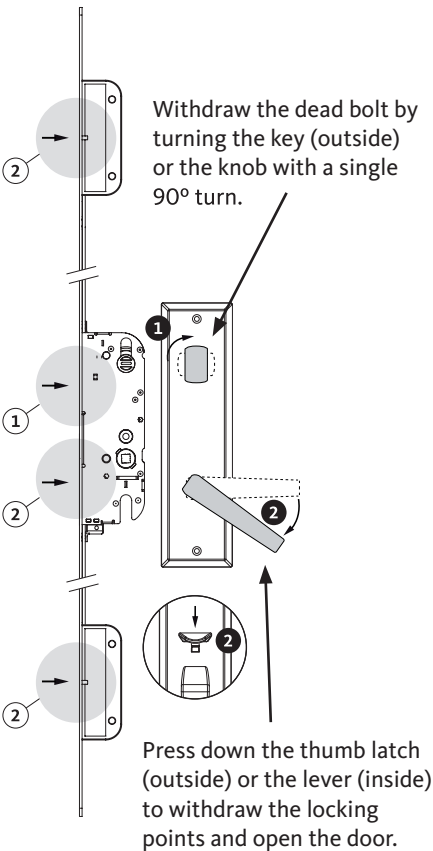
TIGHTEN THE SET
SCREW WITH THE
2,5mm ALLEN KEY



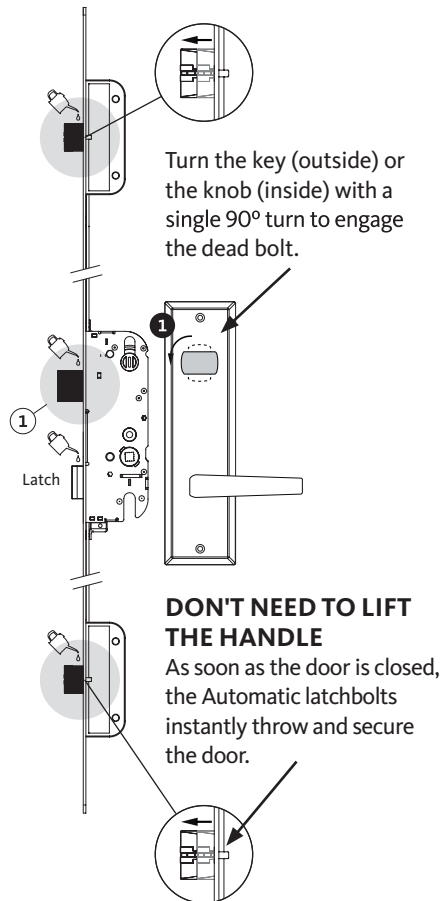


STEP 13 KEEP DOOR OPEN WHEN TESTING THE OPERATION

OPEN THE DOOR



CLOSE THE DOOR





For use in a coastal or humid environments, during installation, add lithium grease on fixation screw to prevent galvanic corrosion over time



HANDLE TRIM

To prevent build-up of surface contaminants, possibly resulting in hardware surface deterioration; we recommend to wipe down with soft cloth all visible surfaces with warm water and mild soap. Then wipe the same surfaces with a clean cloth and warm water only and let surfaces dry completely.

For all finishes, it is strongly recommended to apply a non-abrasive automotive wax to protect the surface.

This procedure should be done a minimum of 2 times per year.

MULTIPOINT DOOR LOCKS

In order to ensure the smooth operation of the lock over a long period of time, it is necessary to lubricate all movable parts and locking points using acid and resin free lubricants.

The use of caustic cleansers or chemicals should be avoided.



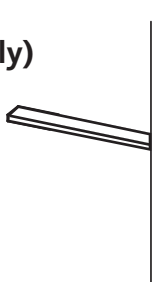
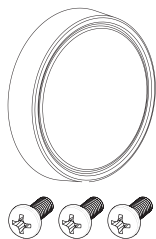
Convert Active to Dummy

For inactive doors

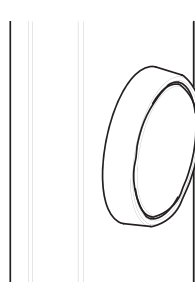


**FOLLOW THE
CONVERSION INSTRUCTIONS
INCLUDED WITH THE KIT**

**CONVERSION KIT
K-C2056-00-0-*
(for BERKELEY only)**

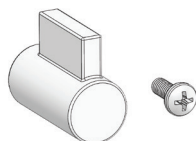


ACTIVE

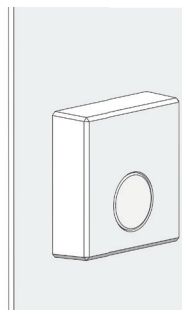


DUMMY

**CONVERSION KIT
K-C0971-00-0-*
(for BERLIN only)**



ACTIVE



DUMMY





WINDOW TECHNOLOGY
DOOR TECHNOLOGY
AUTOMATIC ENTRANCE SYSTEMS
BUILDING MANAGEMENT SYSTEMS

HEAD OFFICE

Ferco Architectural Hardware Inc.
2000 Rue Berlier
Laval, QC H7L 4S4
Canada

T 450 973-1437
1 800 355-8810
F 450 973-7661
ferco@ferco.ca

ONTARIO

T 905 282-9588
F 905 282-9915

UNITED STATES

T 1 800 927-1097
F 1 888 454-0161

www.ferco.ca



Securing technology for you

