



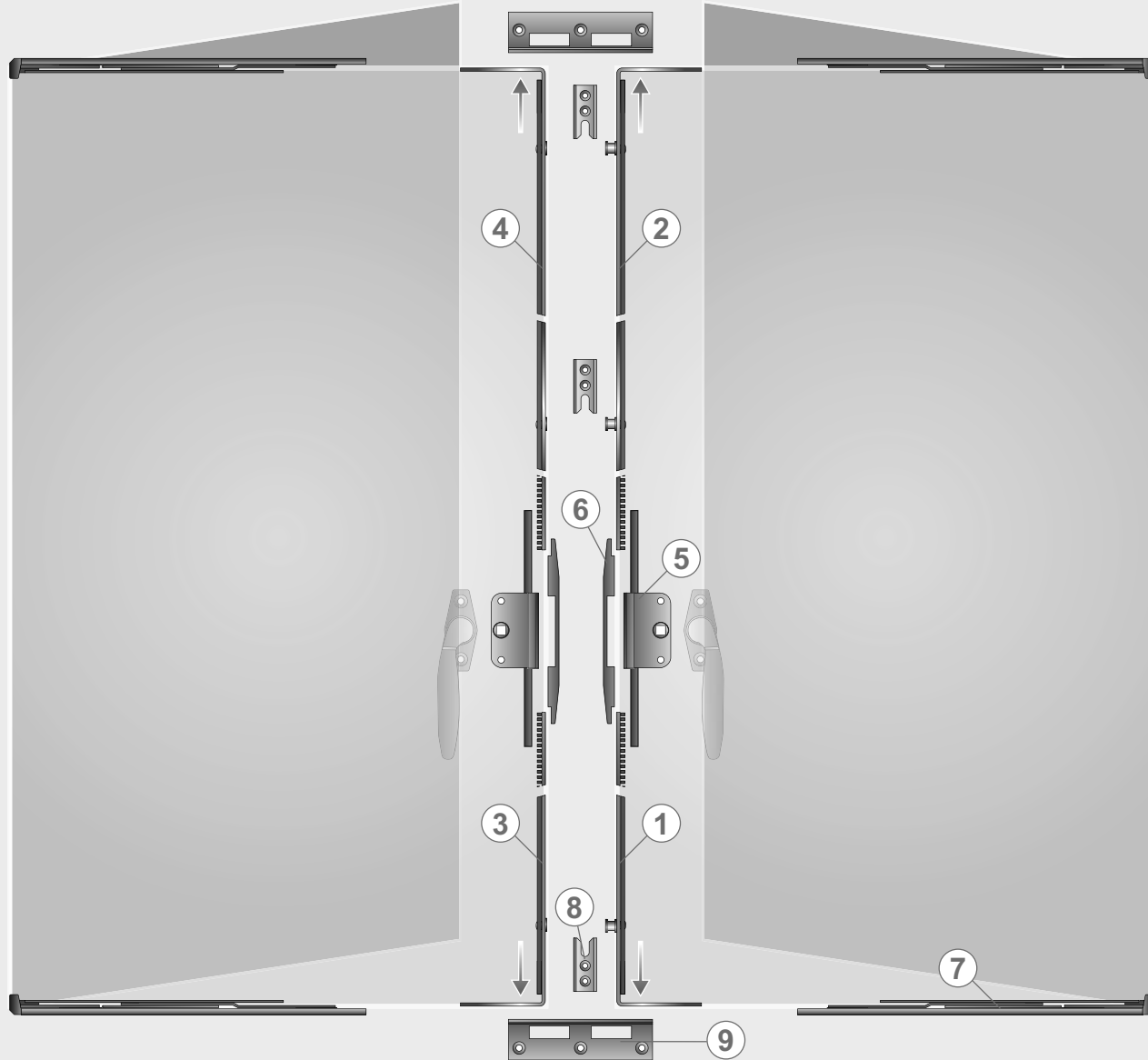
02.2

Push-out Hardware

Shoot Extensions with Cams	02T.2.5
Shoot Extensions without Cams	02T.2.5
Extensions with Cams	02T.2.6
Extension	02T.2.6
Gear Box & Cover	02T.2.7
Keepers	02T.2.8
Striker Cups	02T.2.9
Defender Egress Friction Hinges	02T.2.10

Push-out Casement Window Hardware

French Push-out Casement Window



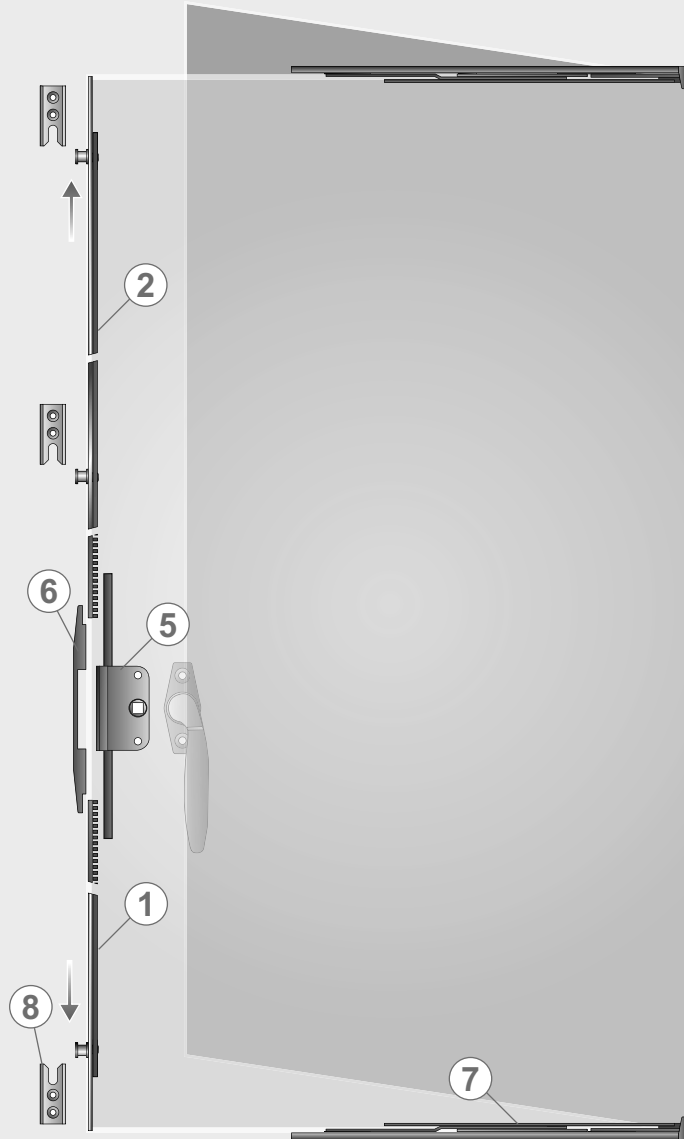
INSIDE VIEW

Push-out double panel system

Description	Quantity	Part Number
1 Shoot extension with cam (bottom)	1	6-C3000-XX-0-11
2 Shoot extension with cams (top)	1	6-C3000-XX-0-11
3 Shoot extension without cam (bottom)	1	6-C2730-XX-0-9
4 Shoot extension without cam (top)	1	6-C2730-XX-0-9
5 Gear box	2	6-C0617-22-0-1
6 Cover for gear box	2	9-C0617-00-0-1
7 Defender egress friction hinges	2	6-C8632-XX-P-8
8 Standard keeper for locking cams	2-6	9-C0115-01-0-8B
9 Head & sill strike plate for shoot bolts	2	9-C0115-02-0-8B

Push-out Casement Window Hardware

Single Push-out Casement Window



INSIDE VIEW

Push-out single panel system without shoots

Description	Quantity	Part Number
1 Extension with cam (bottom)	1	6-C2735-XX-0-9
2 Extension with cams (top)	1	6-C2735-XX-0-9
5 Gear box	1	6-C0617-22-0-1
6 Cover for gear box	1	9-C0617-00-0-1
7 Defender egress friction hinges	1	6-C8632-XX-P-8
8 Standard keeper for locking cams	2-6	9-C0115-01-0-8B

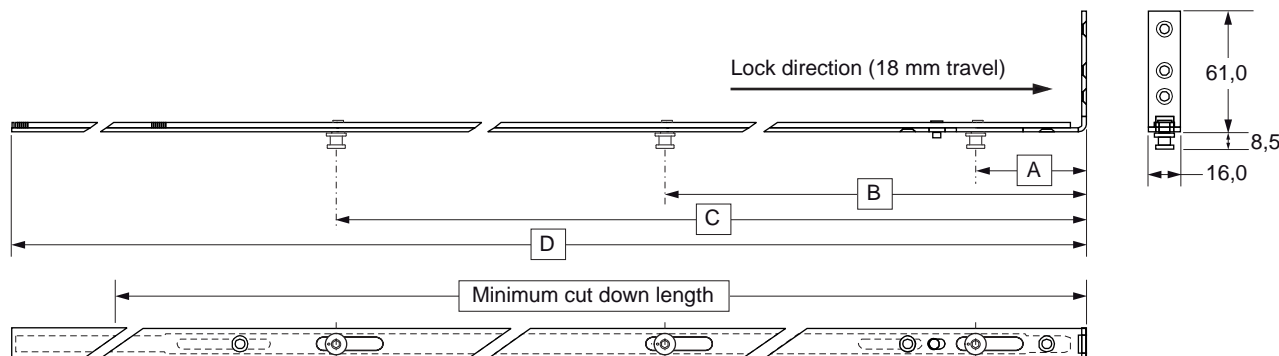


Shoot Extensions with Cams

Code	Sizes D		Cam location (unlock position)*		
	Nominal	Min. cut down length	A	B	C
00	208	-	58	-	-
02	400	150	58	-	-
03	490	340	58	227	-
04	640	490	58	377	-
08	808	558	58	445	-
10	1008	758	58	645	-
12	1208	958	58	450	845
14	1408	1158	58	553	1045

* Deduct 18 mm to get locked position

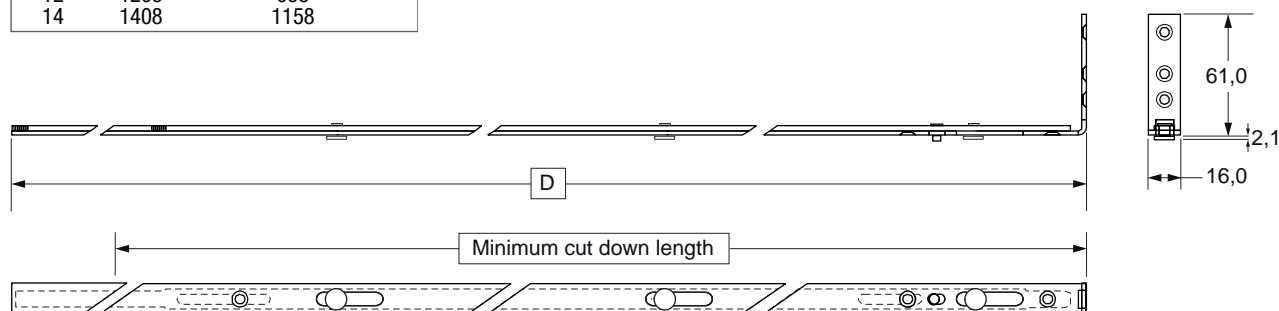
Description	Part Number
208mm extension	6-C3000-00-0-11
400mm extension	6-C3000-02-0-11
490mm extension	6-C3000-03-0-11
640mm extension	6-C3000-04-0-11
808mm extension	6-C3000-08-0-11
1008mm extension	6-C3000-10-0-11
1208mm extension	6-C3000-12-0-11
1408mm extension	6-C3000-14-0-11



Shoot Extensions

Code	Sizes D	
	Nominal	Min. cut down length
00	208	-
02	400	150
03	490	340
04	640	490
08	808	558
10	1008	758
12	1208	958
14	1408	1158

Description	Part Number
208mm extension	6-C2730-00-0-9
400mm extension	6-C2730-02-0-9
490mm extension	6-C2730-03-0-9
640mm extension	6-C2730-04-0-9
808mm extension	6-C2730-08-0-9
1008mm extension	6-C2730-10-0-9
1208mm extension	6-C2730-12-0-9
1408mm extension	6-C2730-14-0-9



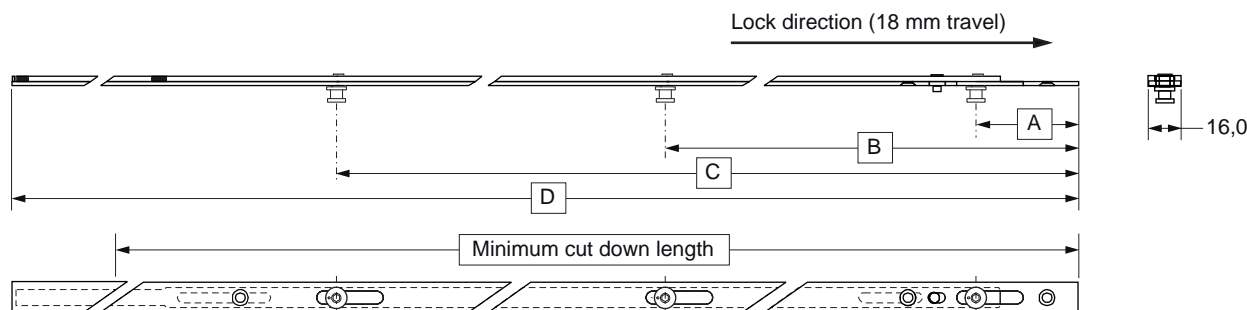


Extensions with Cams

Description	Part Number
199mm extension	6-C2735-00-0-9
391mm extension	6-C2735-02-0-9
481mm extension	6-C2735-03-0-9
631mm extension	6-C2735-04-0-9
799mm extension	6-C2735-08-0-9
999mm extension	6-C2735-10-0-9
1199mm extension	6-C2735-12-0-9
1399mm extension	6-C2735-14-0-9

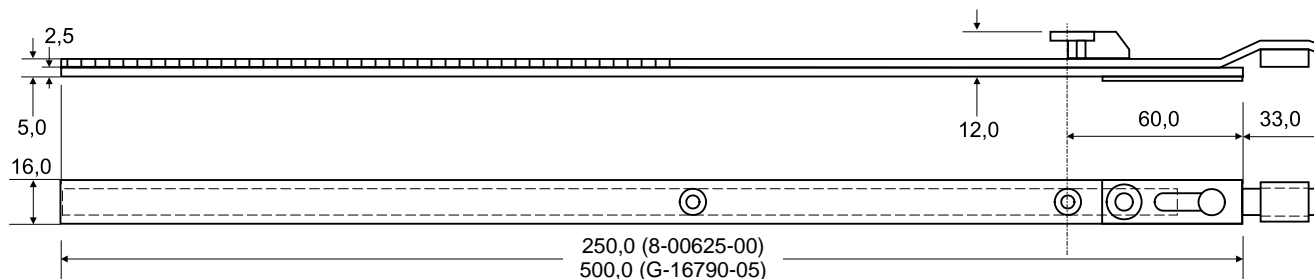
Code	Sizes D		Cam location (unlock position)*		
	Nominal	Min. cut down length	A	B	C
00	199	-	48	-	-
02	391	141	48	-	-
03	481	327	48	218	-
04	631	477	48	367	-
08	799	550	48	436	-
10	999	750	48	636	-
12	1199	950	48	441	836
14	1399	1150	48	544	1036

* Deduct 18 mm to get locked position



Extensions

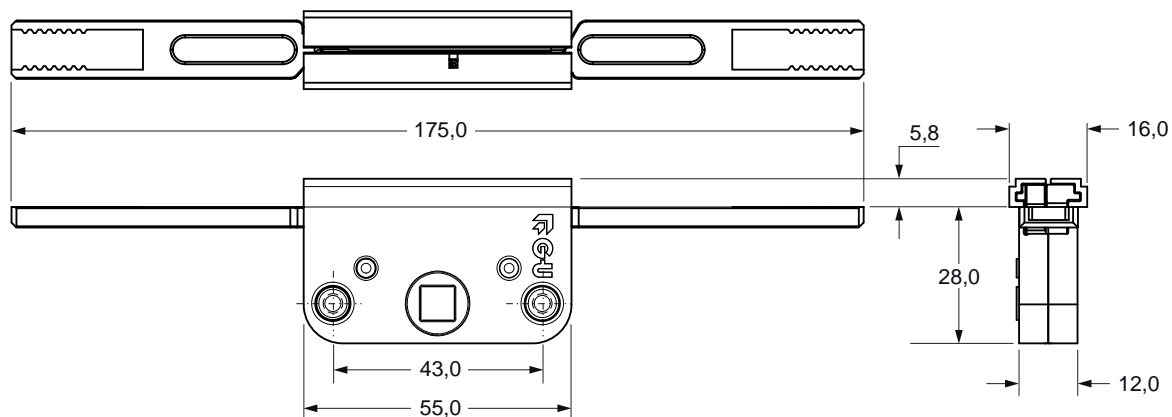
Description	Part Number
250mm extension	8-00625-00-0-9
500mm extension	G-16790-05-0-9





Gear Box

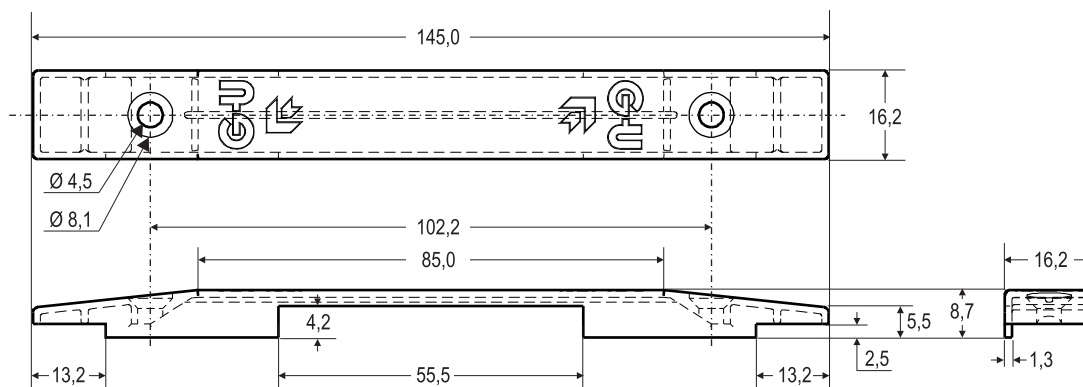
Description	Part Number
Gear box with 22mm backset	6-C0617-22-0-1



02
2

Cover

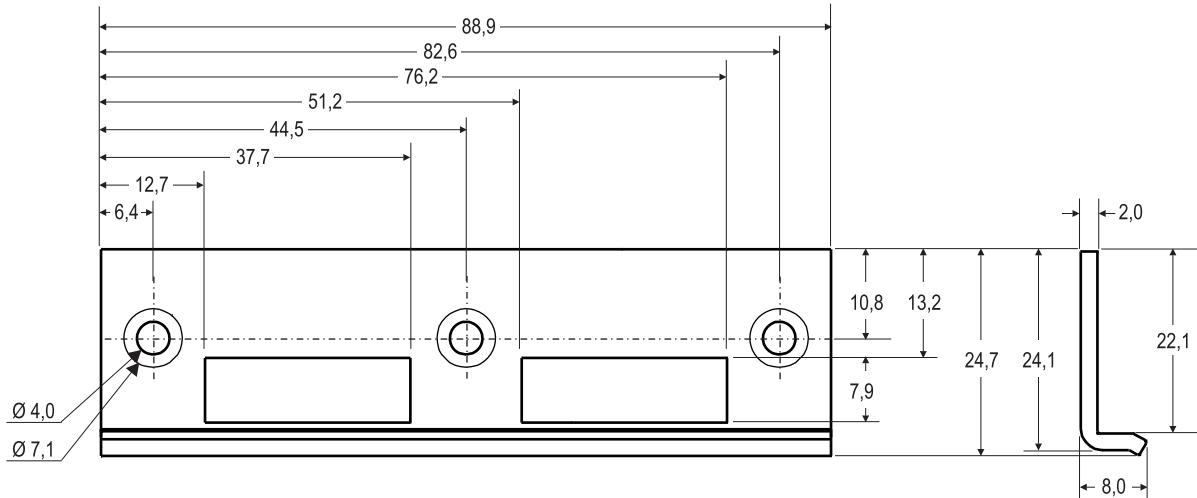
Description	Part Number
Cover for gear box	9-C0617-00-0-1





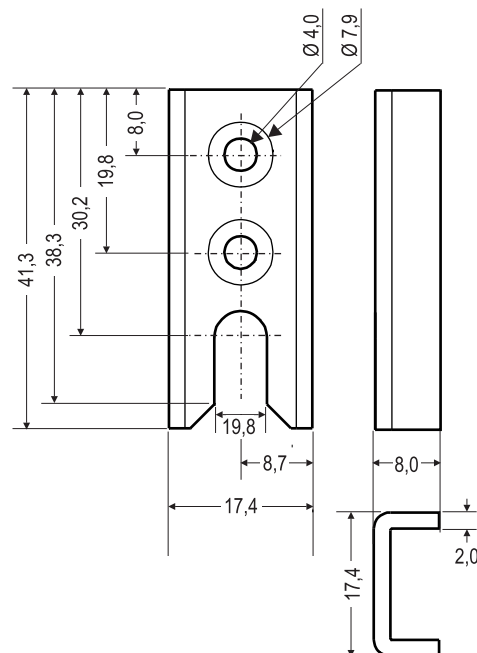
Keeper for Shoot Bolt (head & sill)

Description	Part Number
Keeper	9-C0115-02-0-8B



Keeper for Locking Cam

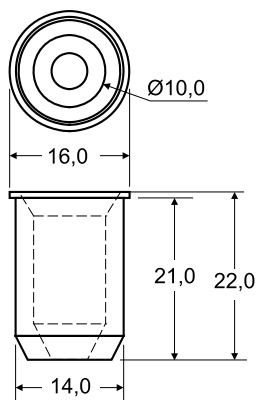
Description	Part Number
Keeper	9-C0115-01-0-8B





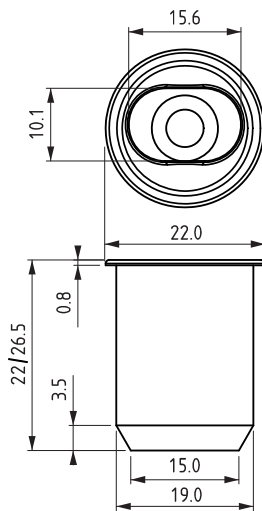
22mm Striker Cup

Description	Part Number
Solid brass striker cup for shoot bolts	9-29525-00-0-0



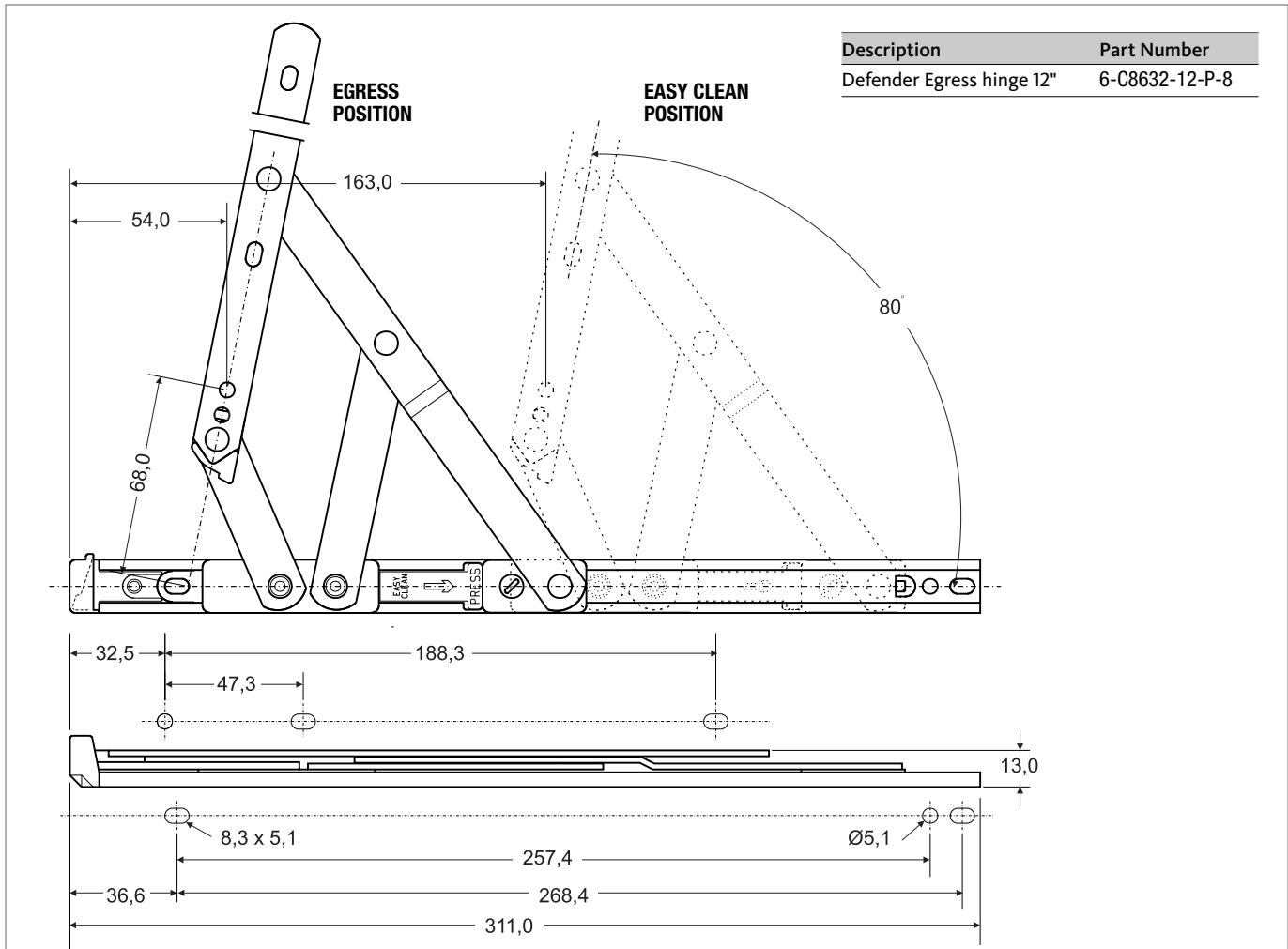
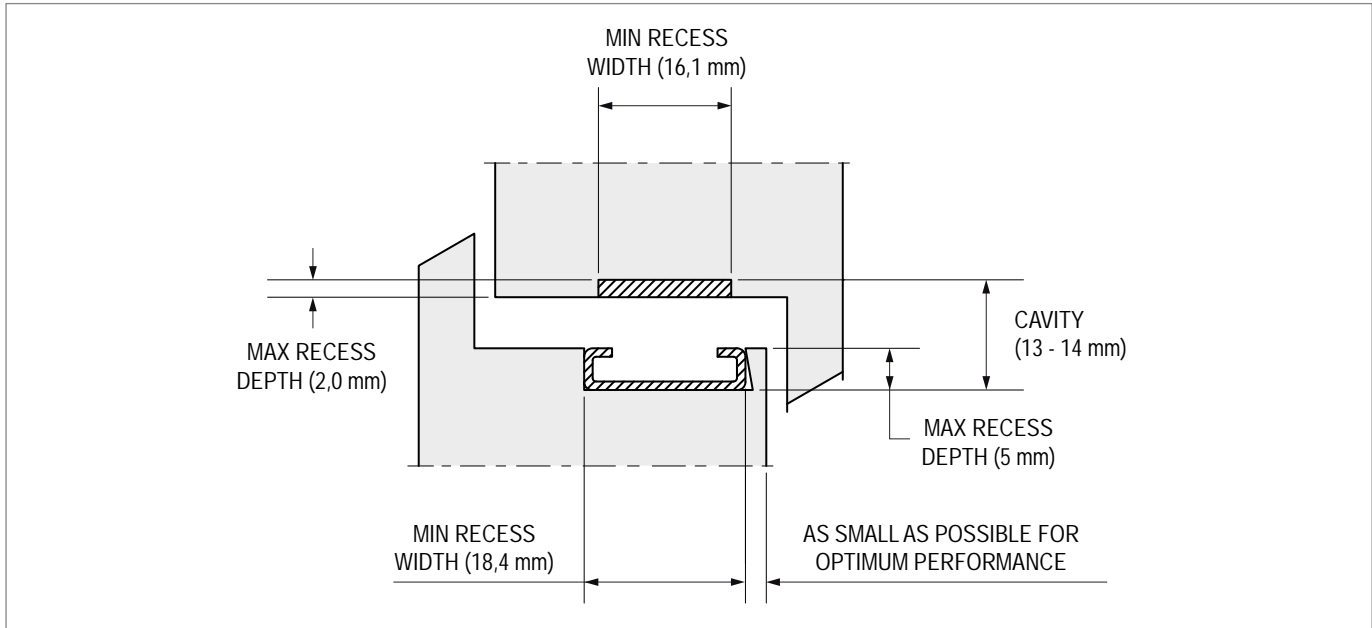
22mm and 27mm Striker Cups

Description	Part Number
Plastic striker cup 22mm for shoot bolts	9-C4306-22-0-0
Plastic striker cup 27mm for shoot bolts	9-C4306-27-0-0



Push-out Casement Window Hardware

Defender Egress Friction Hinges 12" and 16"

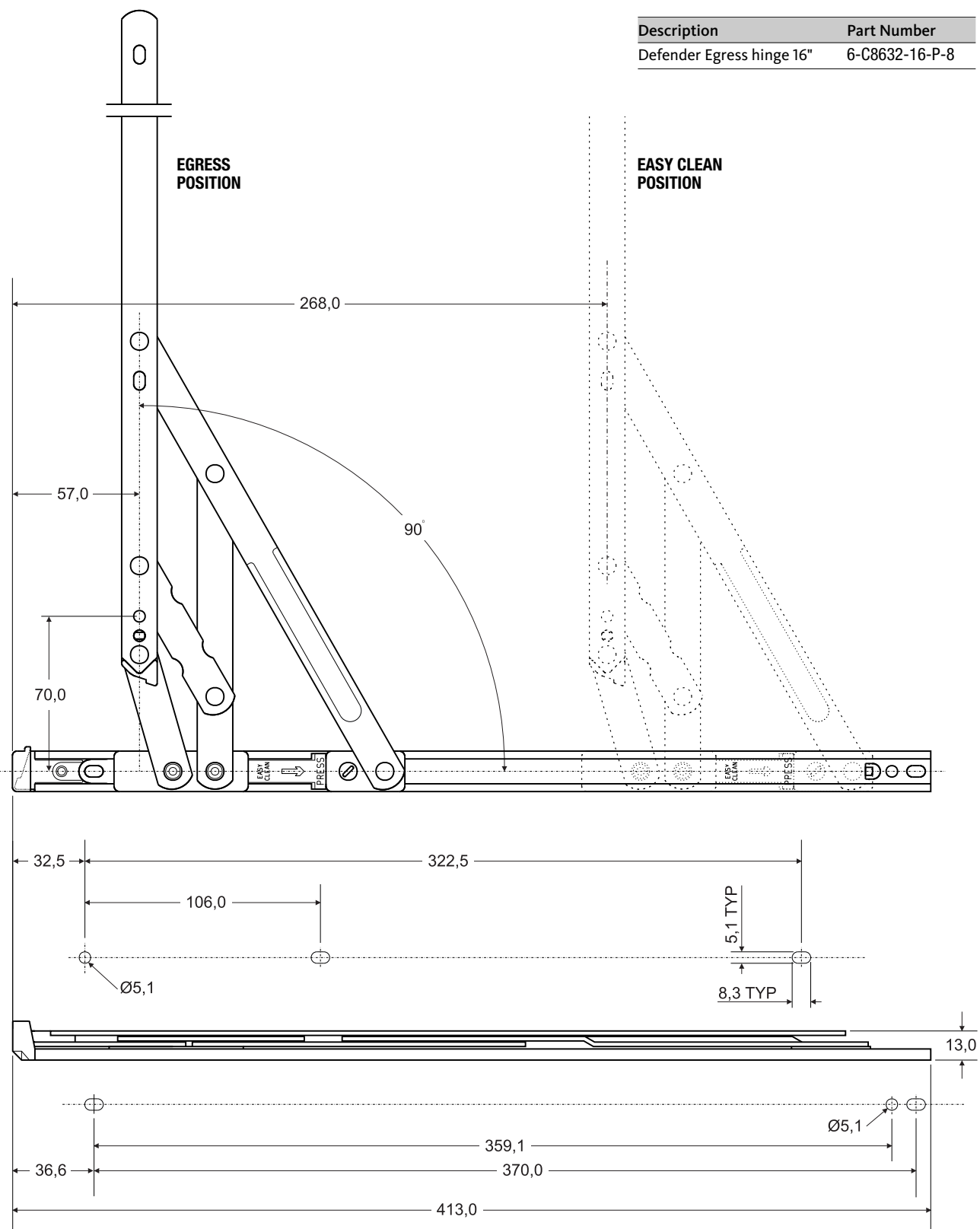


Push-out Casement Window Hardware

Defender Egress Friction Hinges 12" and 16"



Description	Part Number
Defender Egress hinge 16"	6-C8632-16-P-8



02
2