



WINDOW TECHNOLOGY  
DOOR TECHNOLOGY  
AUTOMATIC ENTRANCE SYSTEMS  
BUILDING MANAGEMENT SYSTEMS



WINDOW TECHNOLOGY – TECHNICAL DOCUMENTATION | SECTION 02T.1



## Casement & Awning Windows Hardware



Securing technology for you

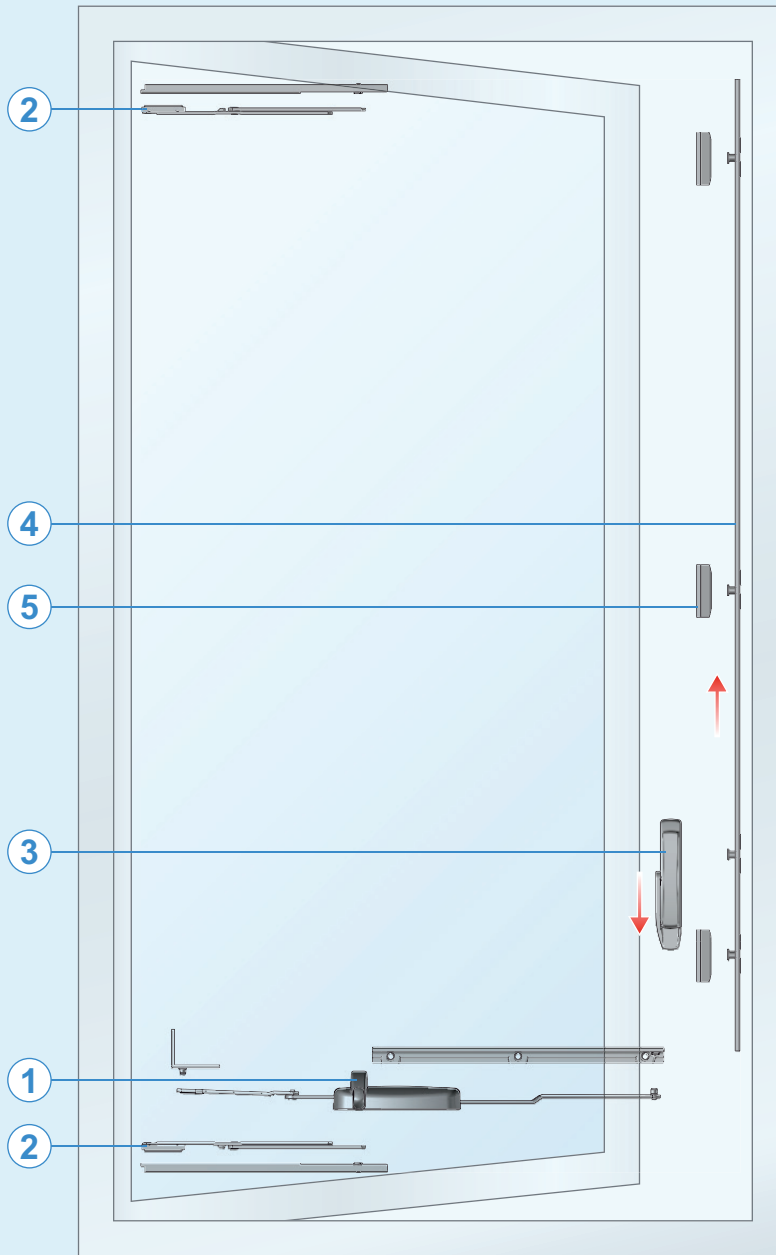




# 02T.1

## Casement & Awning Hardware

Casement Window Scheme.....	02T.1.2
Window Casement System.....	02T.1.4
Dyad Arm Operator for Casement Windows.....	02T.1.5
Dyad Operator for Casement Windows with short arm.....	02T.1.6
Dual Arm Operator & Track for Casement Windows.....	02T.1.8
Dual Operator with short arm .....	02T.1.9
Fixing bracket for Casement Operators .....	02T.1.9
Stud Brackets & 90° for Casement Operators.....	02T.1.10
FENIX EVO2 Cover & Fold-in Handle Kit for Operators.....	02T.1.11
FENIX Classic Cover & Fold-in Handle Kit for Operators....	02T.1.12
Window Awning System .....	02T.1.13
Scissor Arm Operator & track for Awning Windows .....	02T.1.14
Snap-on 10" & 14" Adjustable Hinges .....	02T.1.15
Awning Fixed Hinges .....	02T.1.16
Multipoint Locking Handles.....	02T.1.17
Single Point Locking Handles.....	02T.1.20
Series 6-C2700 Multipoint Locking Bars .....	02T.1.21
Series 6-C2760 Multipoint Locking Bars .....	02T.1.22
Series 6-C2741 Multipoint Locking Bars .....	02T.1.23
Series 6-C2742 Multipoint Locking Bars .....	02T.1.24
Series 6-C2715 Multipoint Locking Bars .....	02T.1.25
Multipoint Keepers .....	02T.1.26
Single Point Keepers.....	02T.1.28
Snubbers.....	02T.1.29



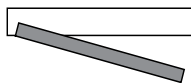
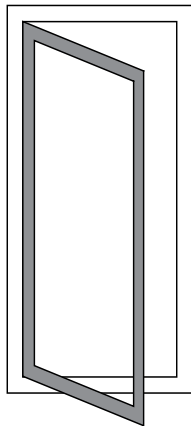
INSIDE VIEW

### Casement window

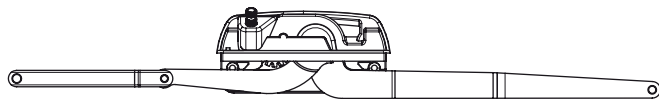
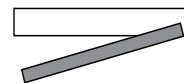
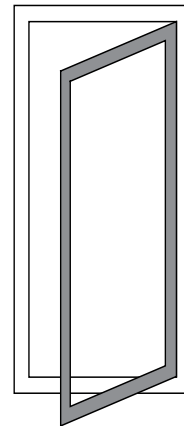
- |   |                                 |
|---|---------------------------------|
| 1 | Operator with bracket and track |
| 2 | Casement hinges                 |
| 3 | Multipoint locking handle       |
| 4 | Multipoint locking bar          |
| 5 | Keepers                         |

# Casement & Awning Window Hardware

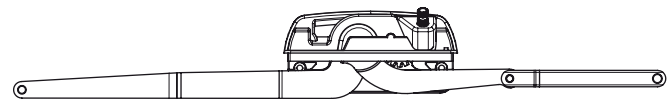
Left/Right Identification for The Operators



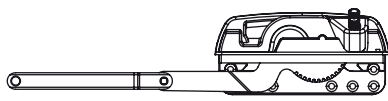
**OUTSWING WINDOWS  
(VIEWED FROM OUTSIDE)**



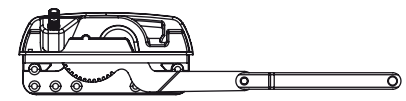
**LEFT-HAND DUAL ARM OPERATOR  
6-C2331-00-L-8  
(use cover kit type A)**



**RIGHT-HAND DUAL ARM OPERATOR  
6-C2331-00-R-8  
(use cover kit type B)**



**LEFT-HAND DYAD OPERATOR  
6-C2332-00-L-8  
(use cover kit type B)**



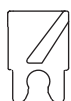
**RIGHT-HAND DYAD OPERATOR  
6-C2332-00-R-8  
(use cover kit type A)**



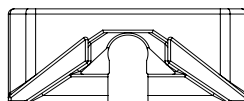
**CASEMENT HINGES  
6-C2431-XX-A/B-8B  
6-C2480-XX-A/B-8B  
(For this window position, use type A)**



**CASEMENT HINGES  
6-C2431-XX-A/B-8B  
6-C2480-XX-A/B-8B  
(For this window position, use type B)**



**HALF REACHING WEDGE (A)  
9-C0148-00-A-6**



**UNIVERSEL WEDGE  
9-C0948-00-0-6**

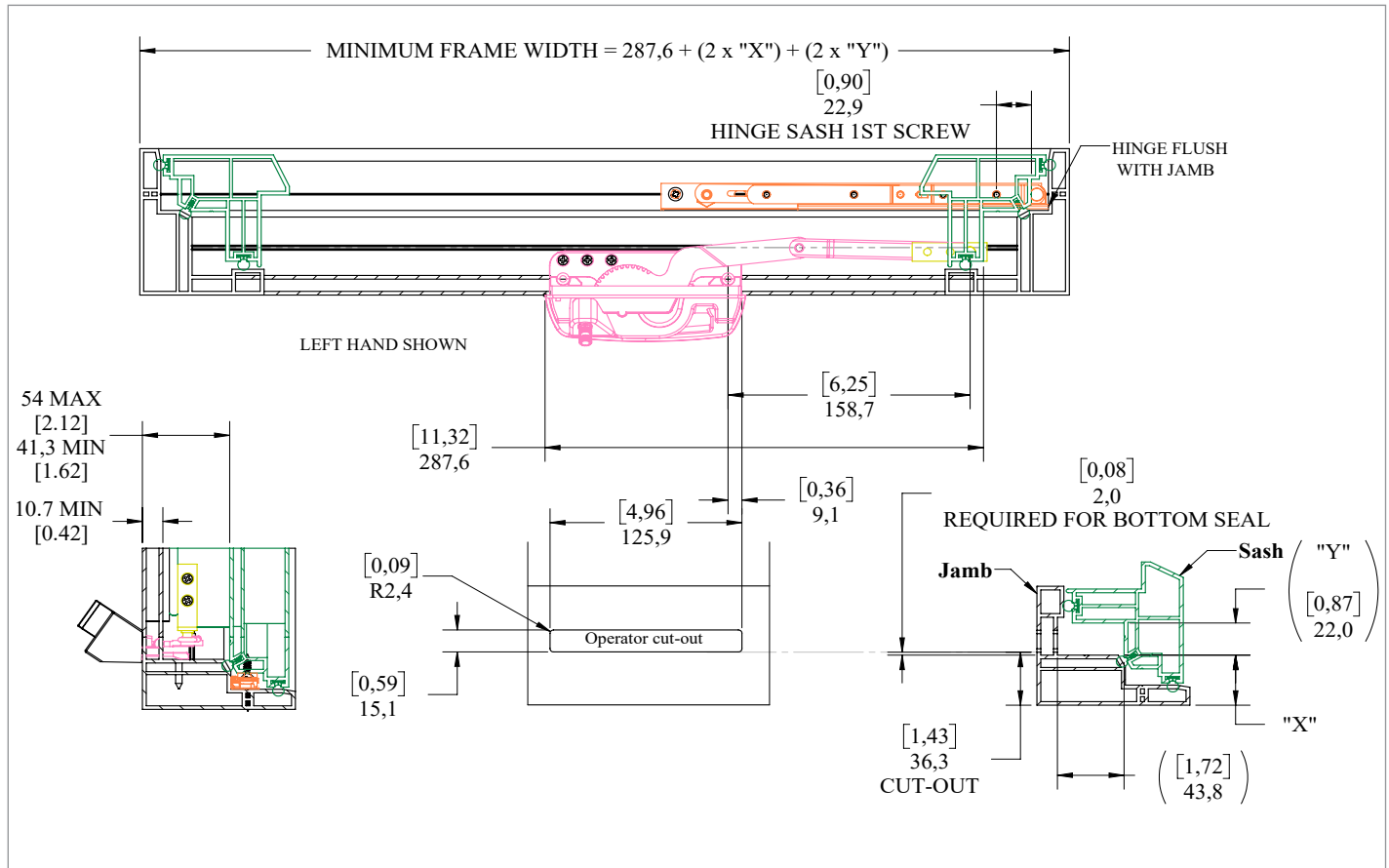


**HALF REACHING WEDGE (B)  
9-C0148-00-B-6**

02  
T.1

# Casement & Awning Window Hardware

Window Casement System



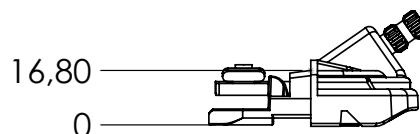
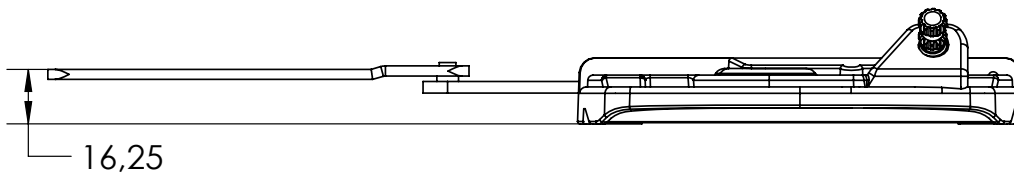
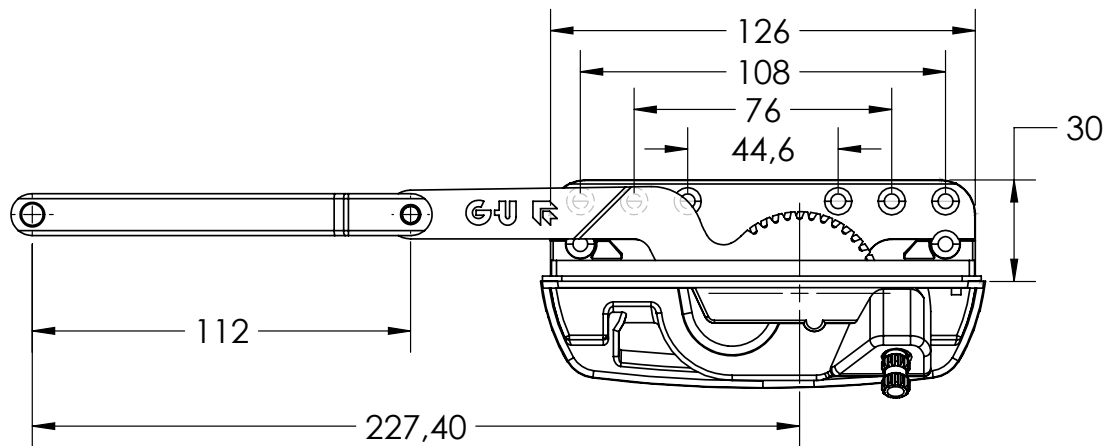
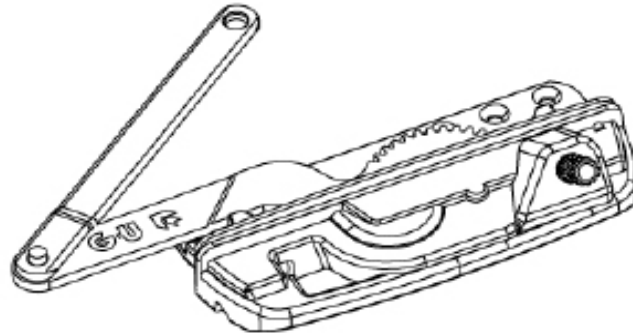
02  
T.1



### Dyad Arm Casement Operator

Description	Part Number
Operator	6-C2332-00-L/R-8

RIGHT HAND SHOWN

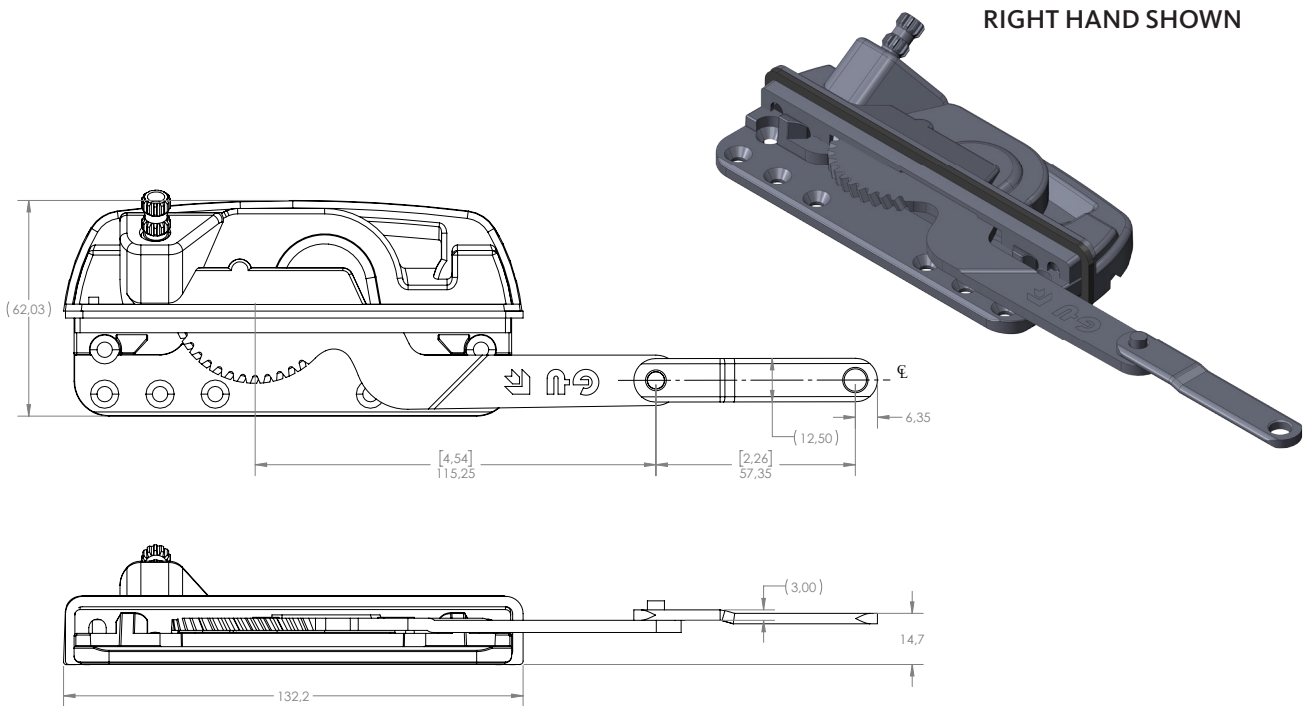


02  
T.1



### Dyad Casement Operator with Short Arm

Description	Part Number
Operator	6-C2332-MC-L/R-8

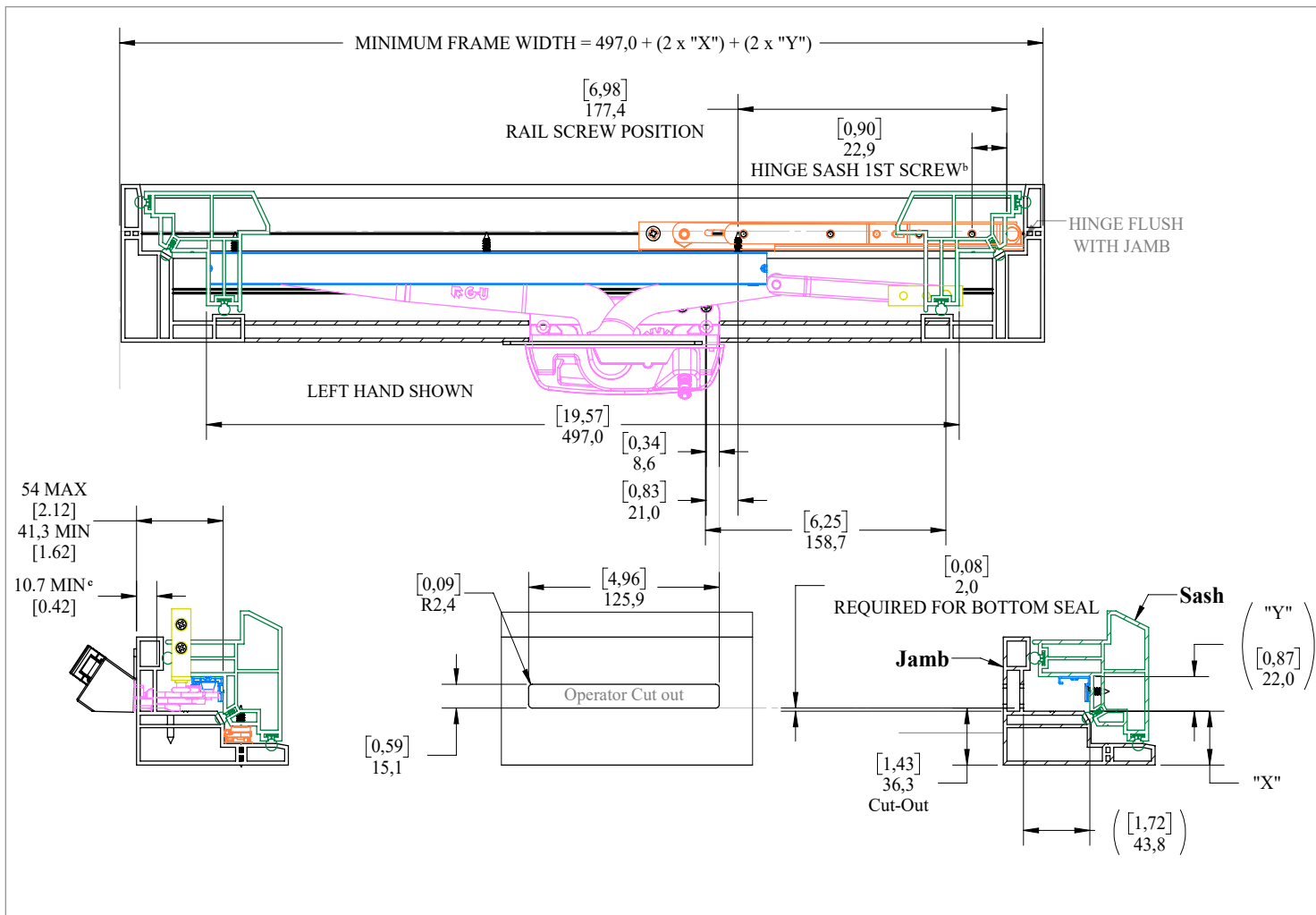


02  
T.1

# Casement & Awning Window Hardware



## Window Casement System

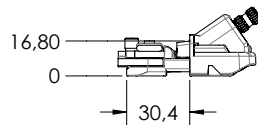
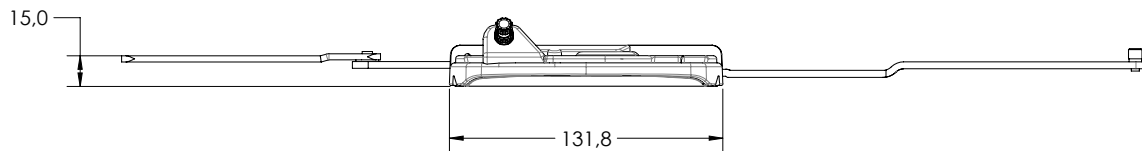
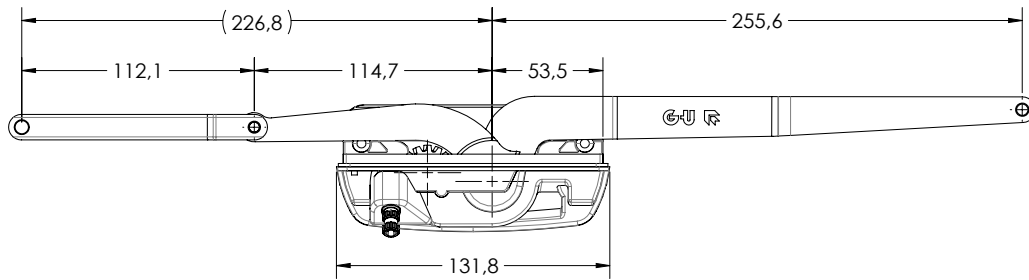
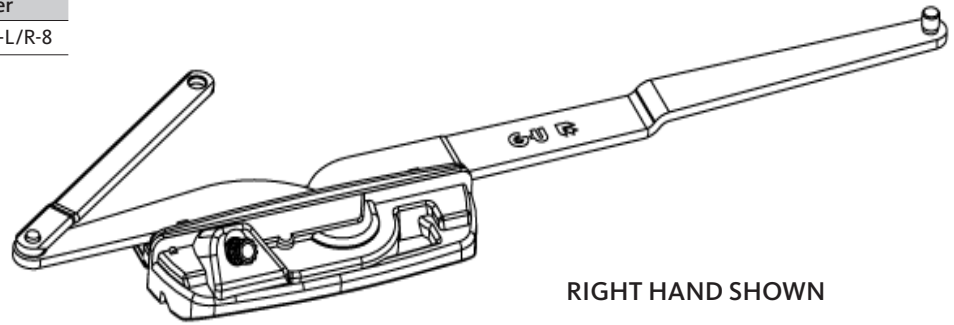


02  
T.1



## Dual Arm Casement Operator

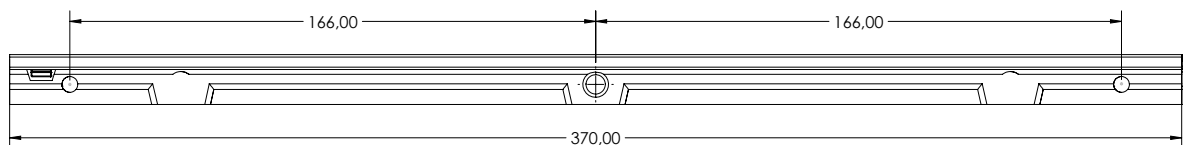
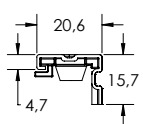
Description	Part Number
Operator	6-C2331-00-L/R-8



02  
T.1

## Track for Dual Arm Casement Operator

Description	Part Number
Track	9-C2336-00-0-8

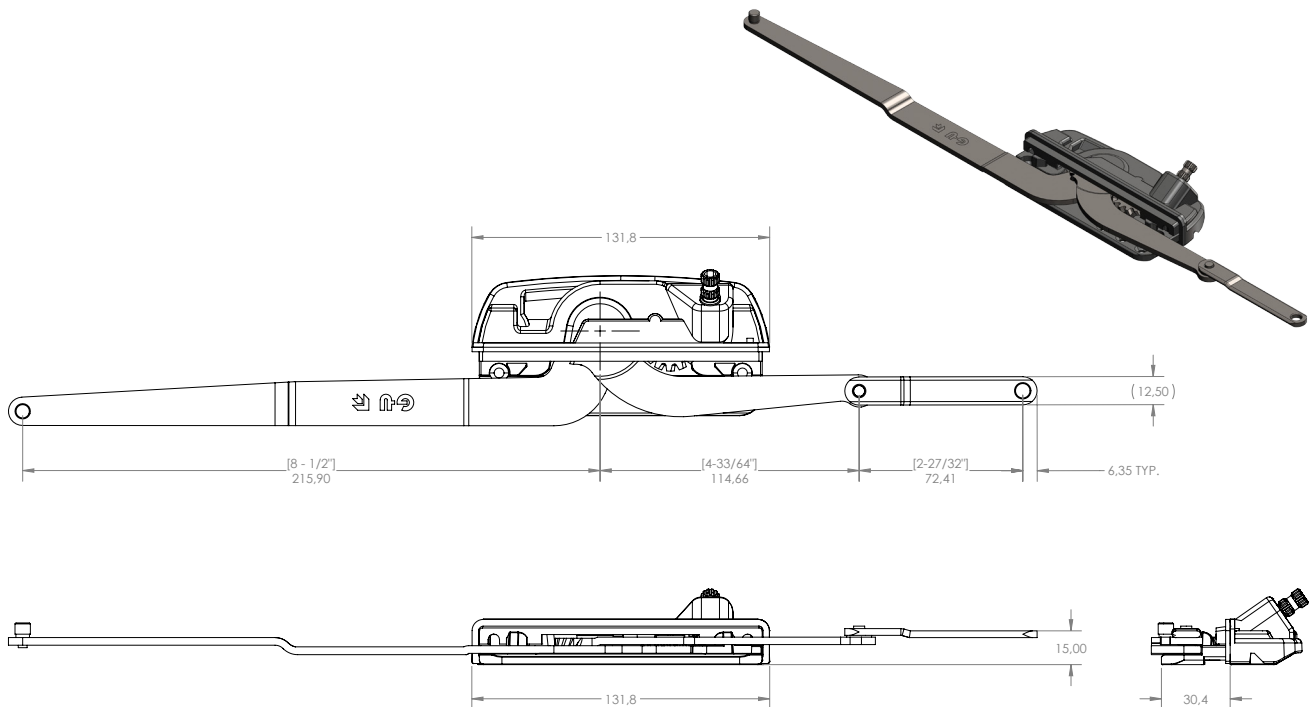




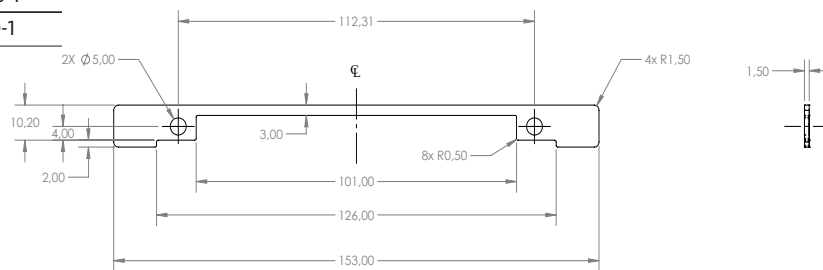
### Dual Arm Casement Operator with short arm

Description	Part Number
Operator	6-C2331-MC-L/R-8

RIGHT HAND SHOWN

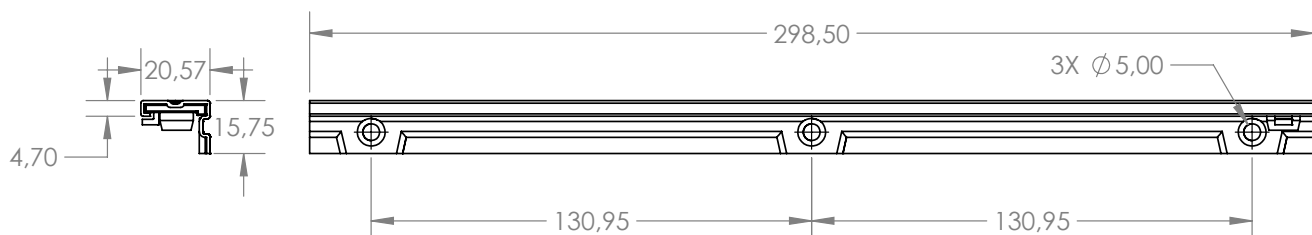


Description	Part Number
Fixing bracket	9-C2341-00-0-1
For Thermoplast profiles use screws	E-12562-20-0-1
For other profiles use screws	E-12562-16-0-1



### Track for Dual Arm Casement Operator

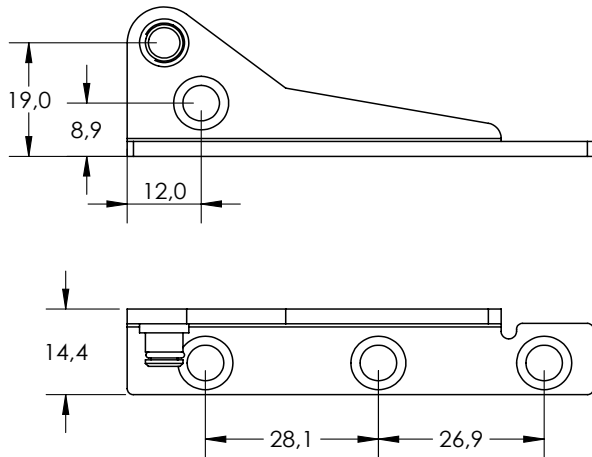
Description	Part Number
Track	9-C2336-MC-0-8



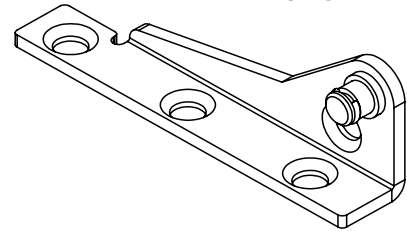


### Stud Bracket for Casement Operator

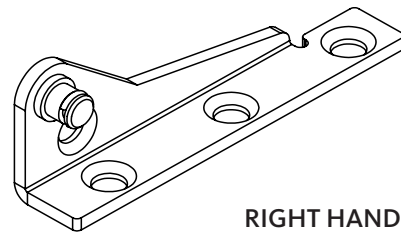
Description	Part Number
Bracket	6-C2607-25-L/R-2



LEFT HAND SHOWN

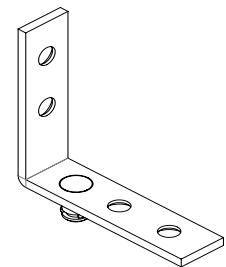
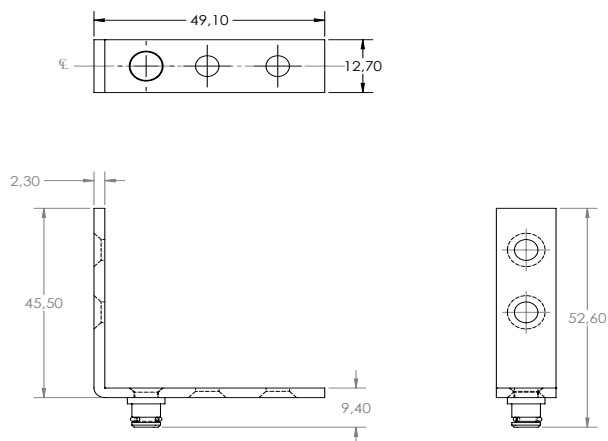


RIGHT HAND SHOWN



### Bracket for Casement Operator

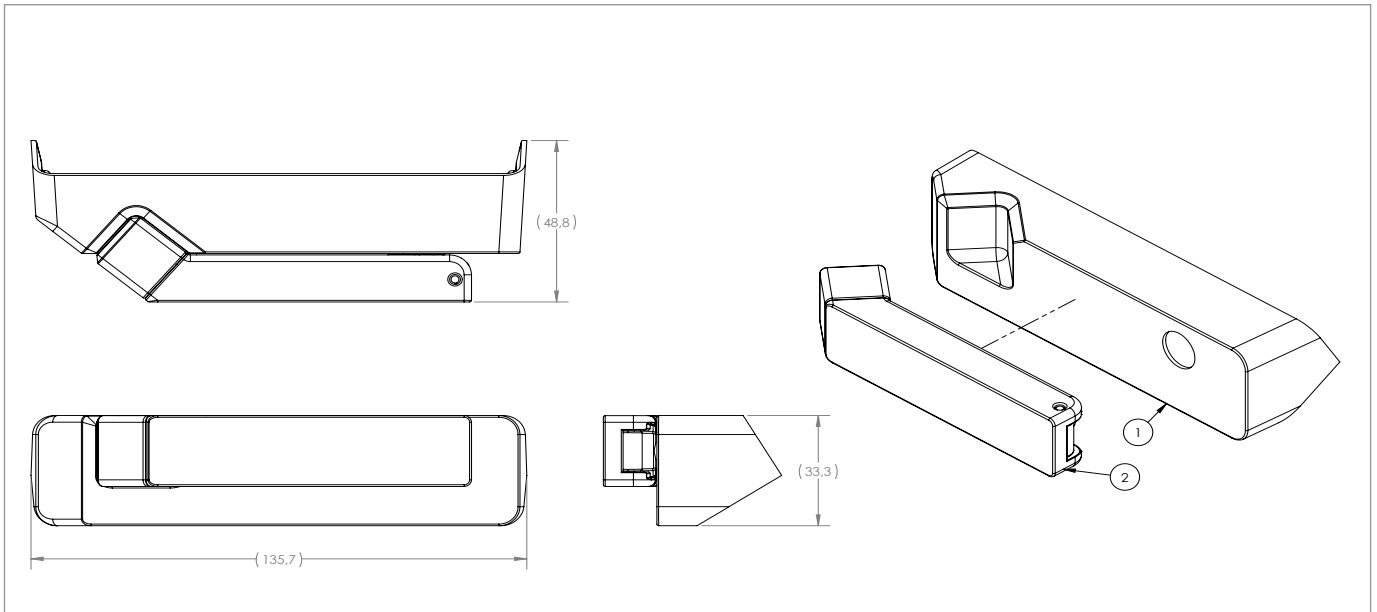
Description	Part Number
90° Bracket	6-C2320-00-0-8





### FENIX EVO2 Removable Cover & Fold-in Handle kit

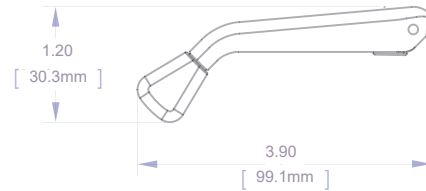
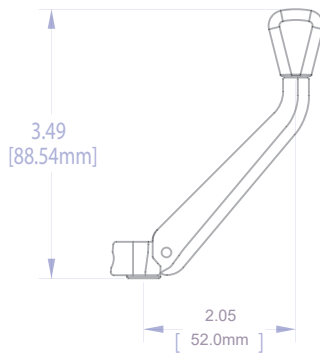
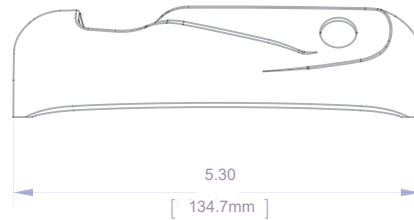
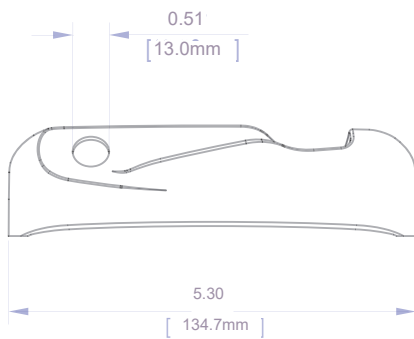
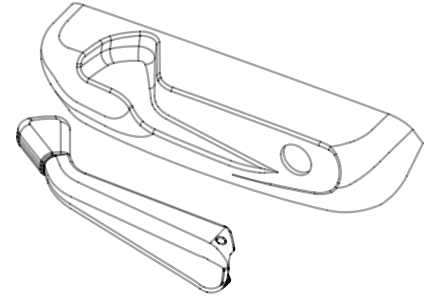
Description	Part Number
Kit type A	6-C2352-00-A-*
Kit Type B	6-C2352-00-B-*





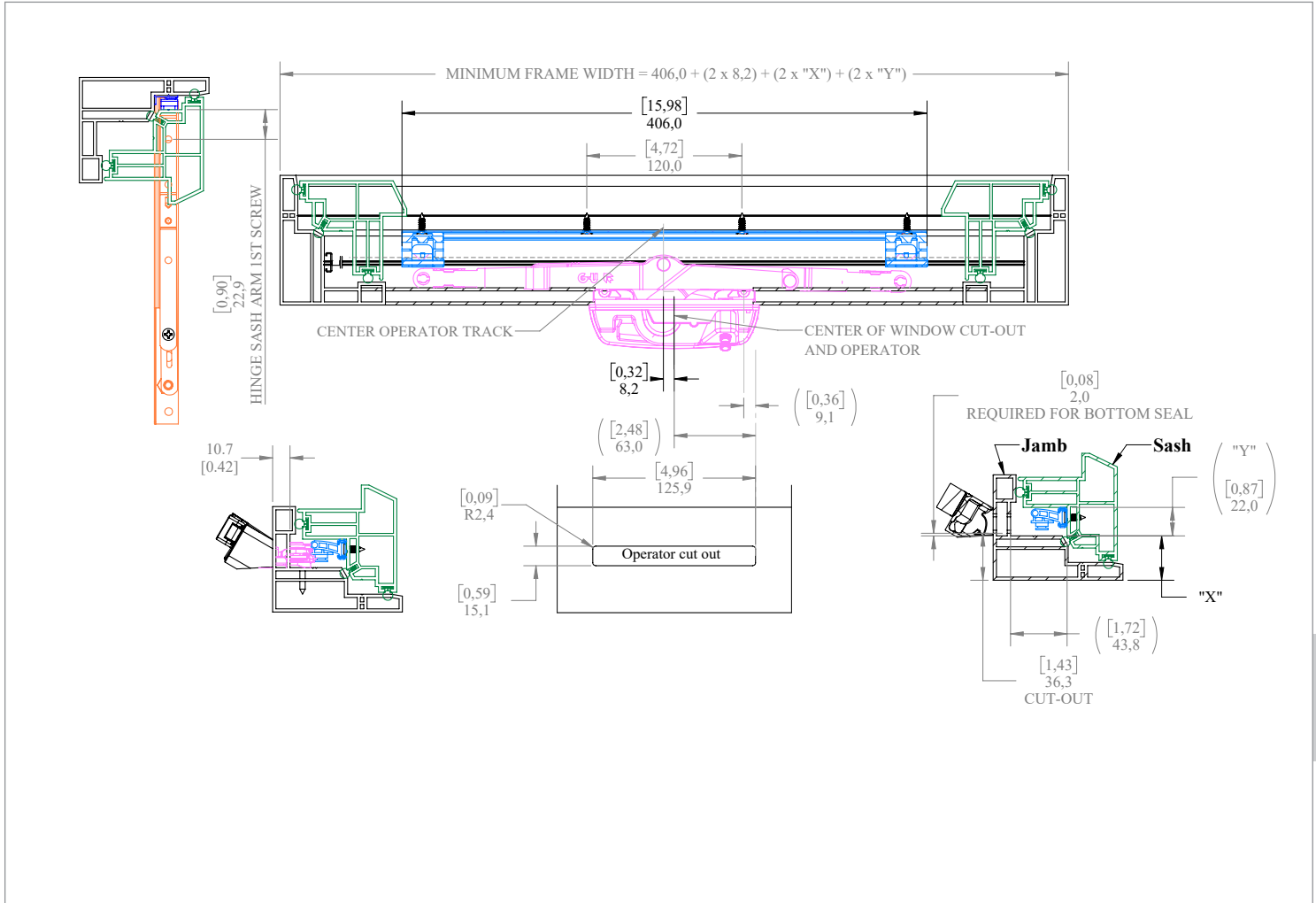
### FENIX Classic Cover & Fold-in Handle Kit

Description	Part Number
Kit type A	6-C2345-02-A*
Kit type B	6-C2345-02-B*



# Casement & Awning Window Hardware

## Window Awning System

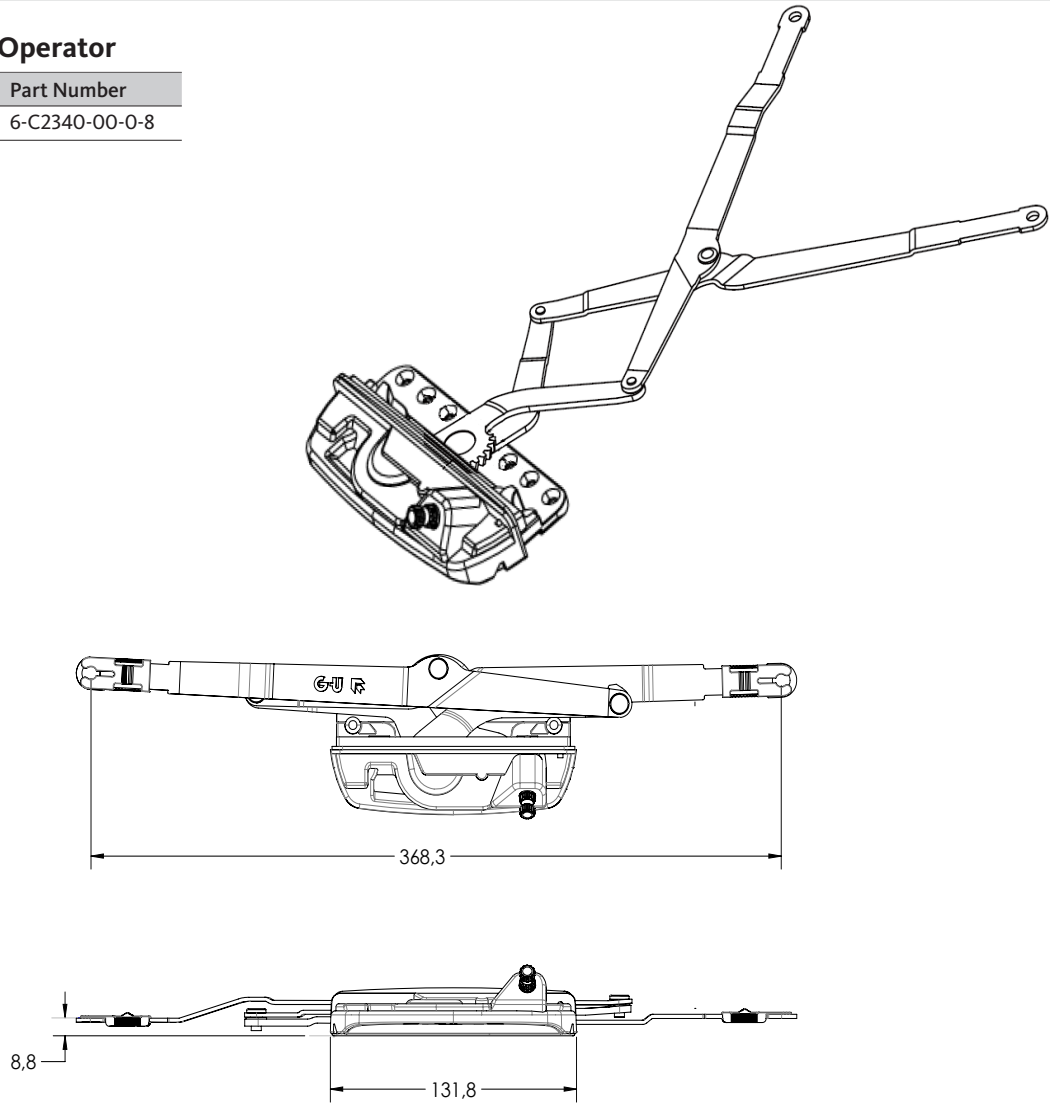


02  
T.1



### Scissor Arm Awning Operator

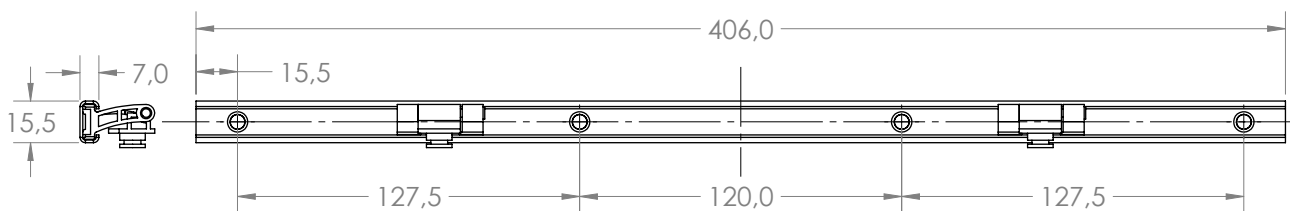
Description	Part Number
Operator	6-C2340-00-0-8



02  
T.1

### Track for Awning Operator

Description	Part Number
Track	9-C2335-01-0-8



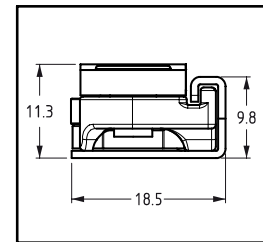
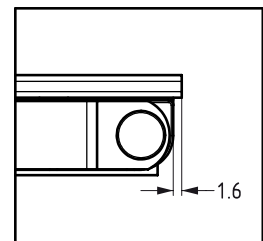
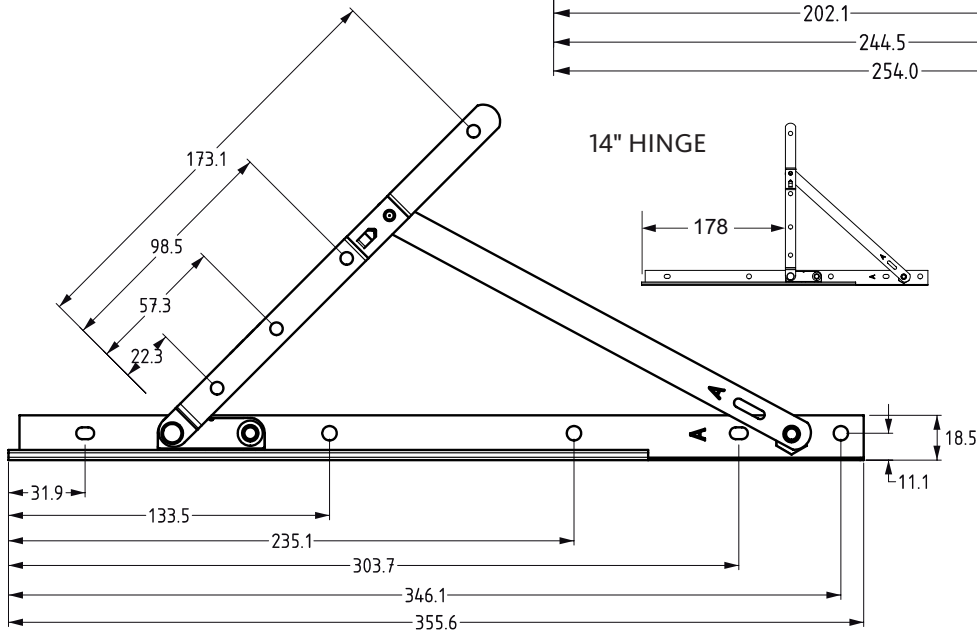
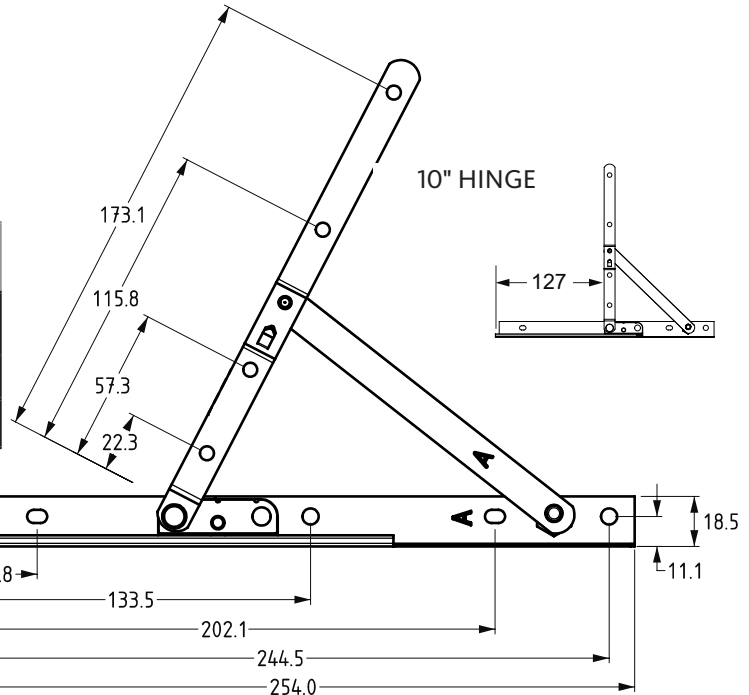


### Snap-on 10" & 14" Adjustable Hinges

Description	Part Number
Arms for 10" hinge	6-C2431-10-A/B-8B
Tracks for 10" hinge	6-C2480-10-A/B-8B
Arms for 14" hinge	6-C2431-14-A/B-8B
Tracks for 14" hinge	6-C2480-14-A/B-8B

#### Ferco Casement hinges recommendations (as certified to AAMA 904)

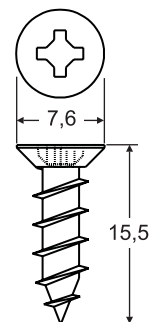
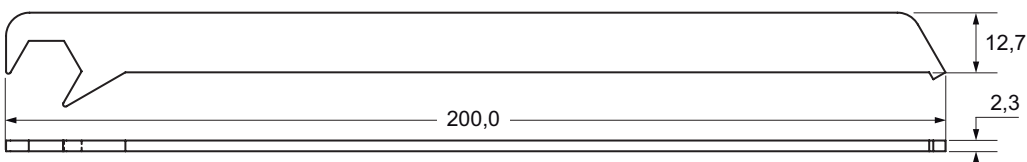
Casement hinges	Sash width range	Sash max weight
10" hinges	10"-36"	90lbs at 36" wide
14" hinges	14"-36"	90lbs at 36" wide



02  
T.1

### Hinge Accessories

Description	Part Number
13mm (1/2") wrench	9-C2452-20-0-1
#10 x 5/8" (16mm) screws	9-C9681-1M-0-8



# Casement & Awning Window Hardware

## Window Awning Hinges

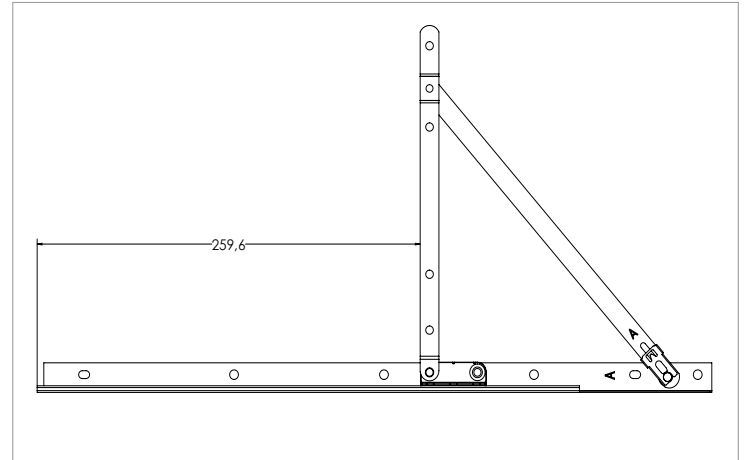


### Awning Fixed Hinges (25 pairs arms and 25 pairs track per box)

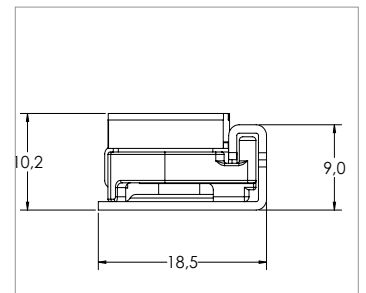
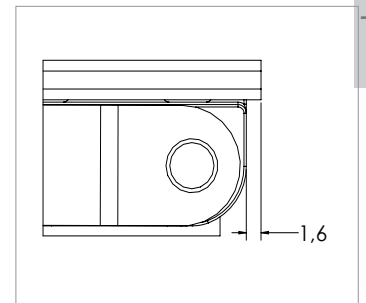
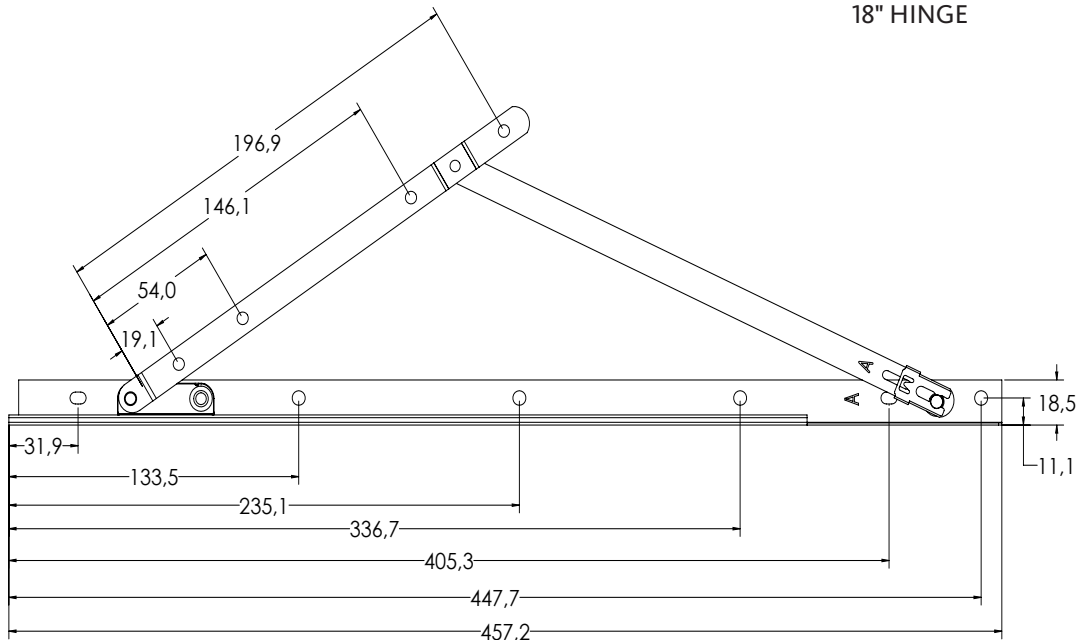
Description	Part Number
14" hinge	6-C2472-14-A/B-8B
18" hinge	6-C2472-18-A/B-8B
22" hinge	6-C2472-22-A/B-8B
26" hinge	6-C2472-26-A/B-8B

### Ferco awning hinges recommendations (as certified to AAMA 904)

Awning hinges	Sash width range	Sash max weight
14" hinges	14"-36"	60lbs at 36" high
18" hinges	18"-36"	60lbs at 36" high
22" hinges	22"-36"	60lbs at 36" high
26" hinges	26"-36"	60lbs at 36" high



18" HINGE

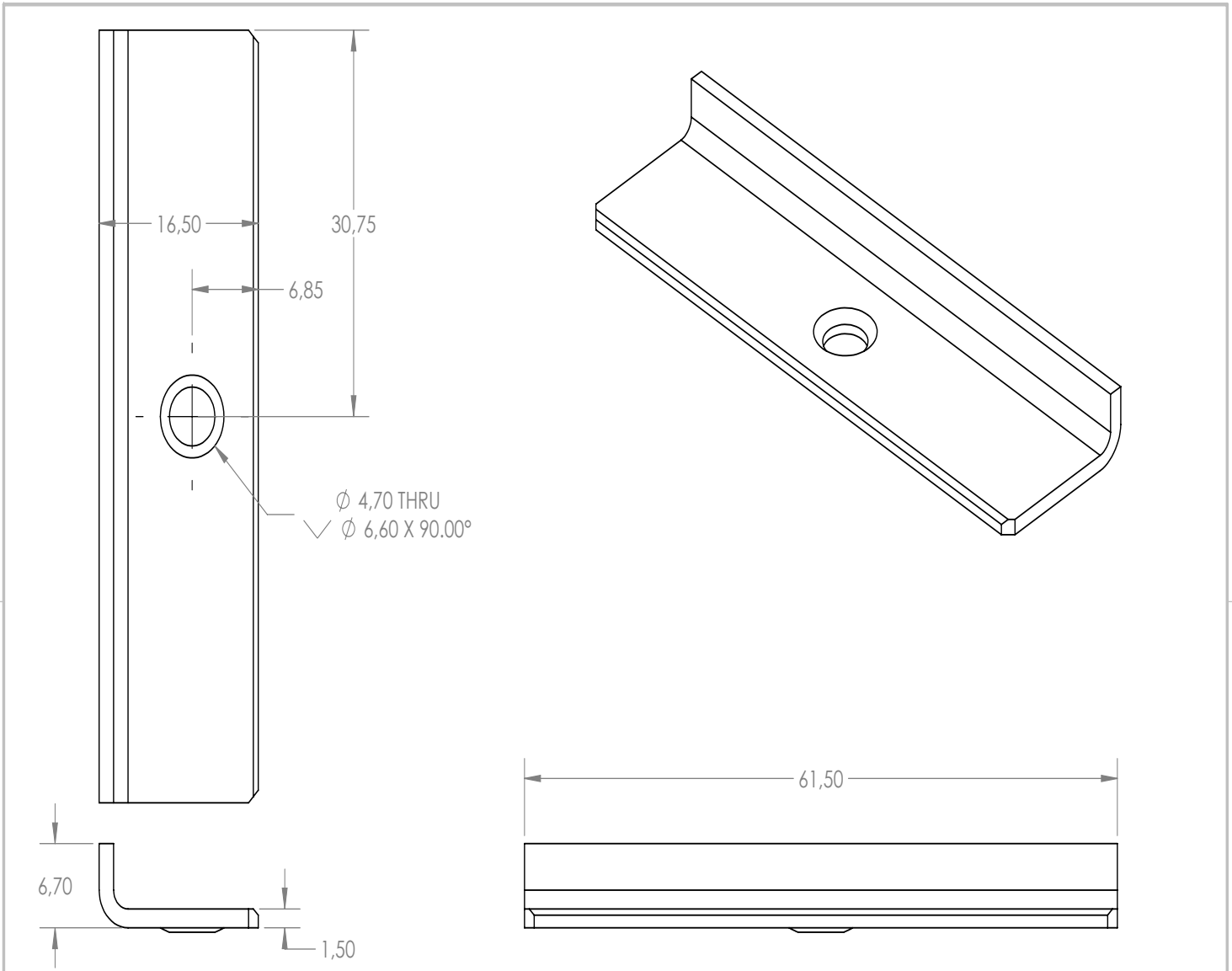


02  
T.1

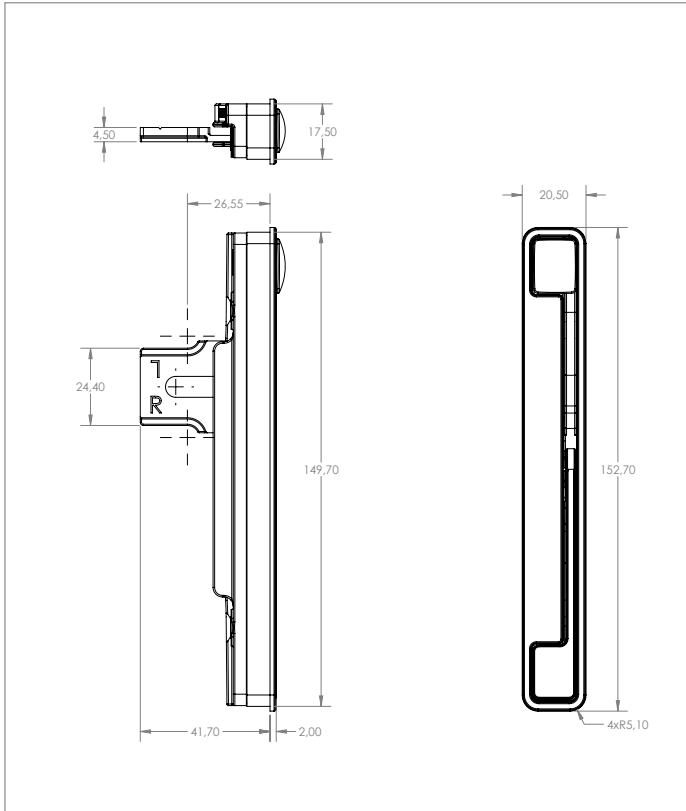
# Casement & Awning Window Hardware



## Locking Handles

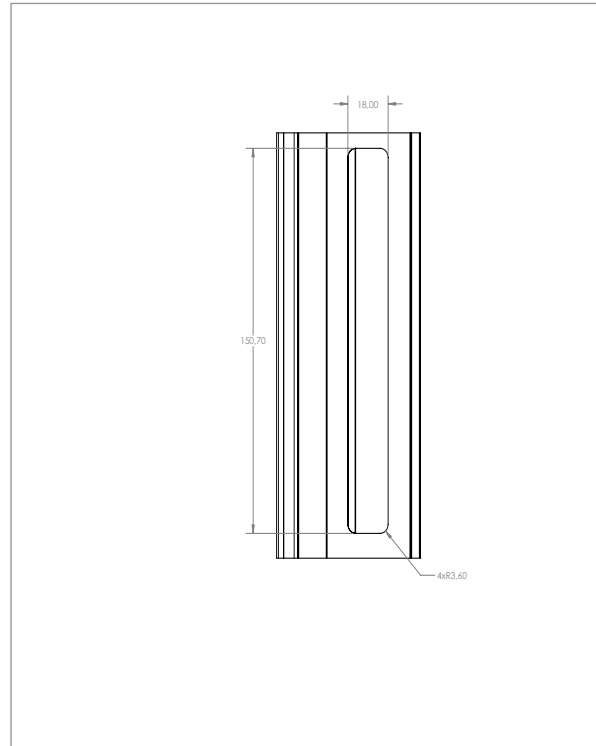


02  
T.1



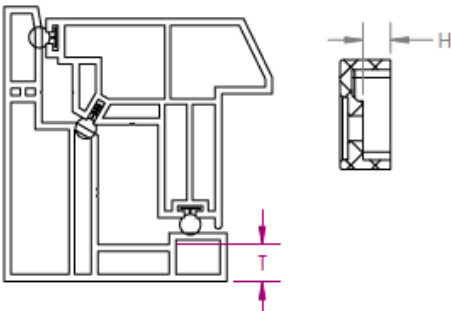
### FENIX Evo2 Cover & Handle Kit

Description	Part Number
Locking handle	6-C7031-00-0-*

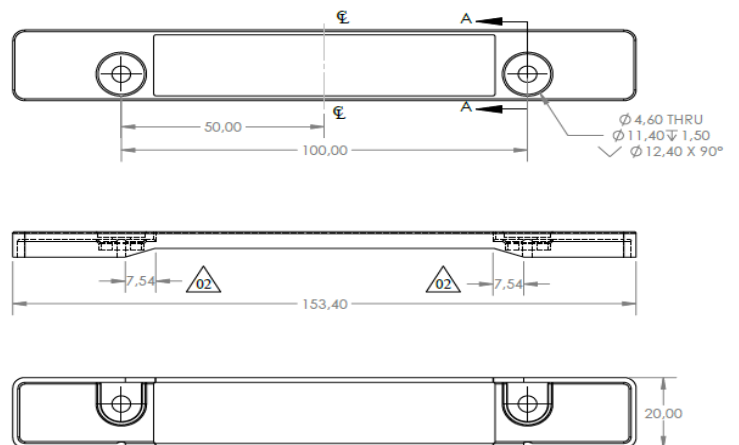


### Locking Handle Accessories

Description	Part Number
Fixing bracket	9-C2721-0*-0-6
#8 x 5/8" (15.88mm) screws	9-C9652-00-0-1



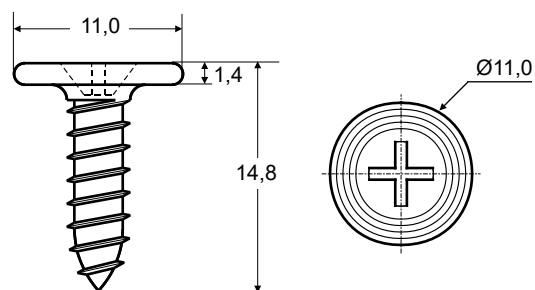
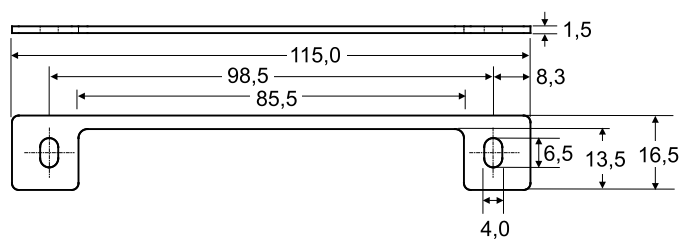
Reference	H (mm)	T(mm)
9-C2721-00-0-6	0	13.7 mm
9-C2721-03-0-6	2	10.7 mm
9-C2721-05-0-6	4	8.5 - 9 mm





### Locking Handle Accessories

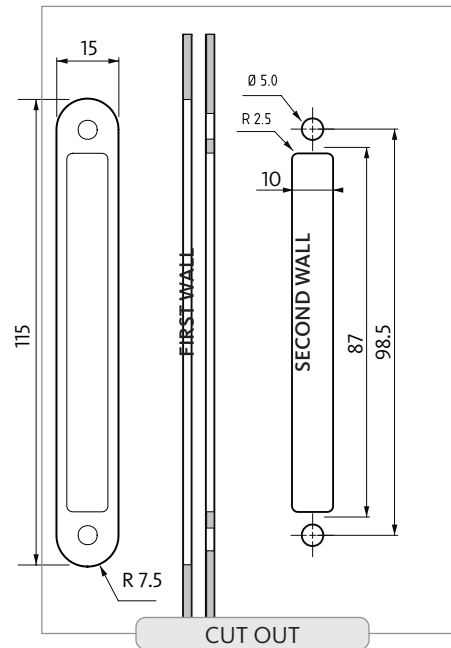
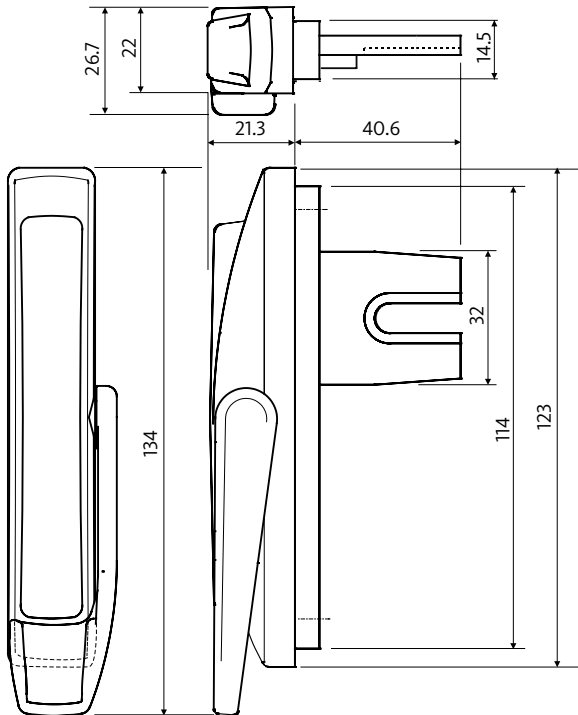
Description	Part Number
Fixing bracket	9-C2720-04-0-0
#8 x 1/2" (12mm) screws	9-C2451-2C-0-1





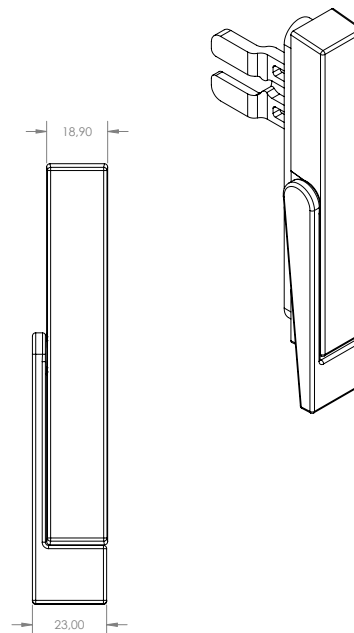
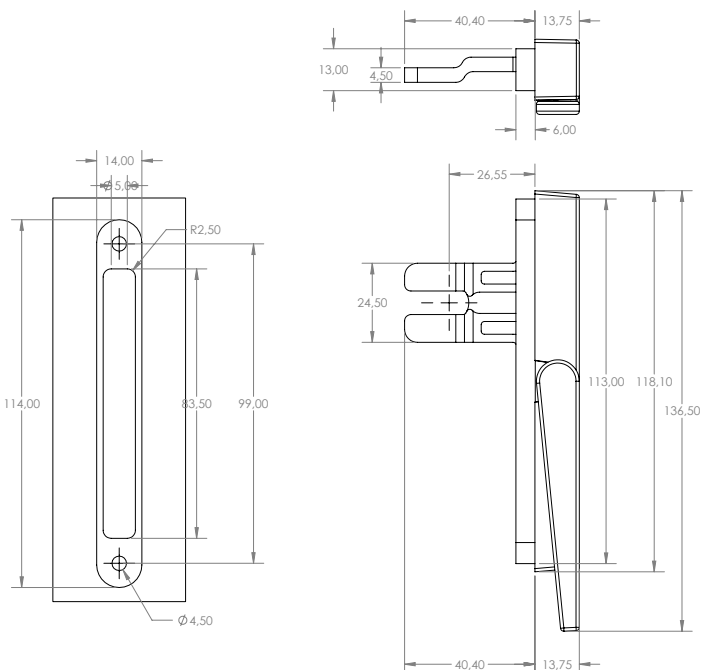
### FENIX Classic Multipoint Locking Handle

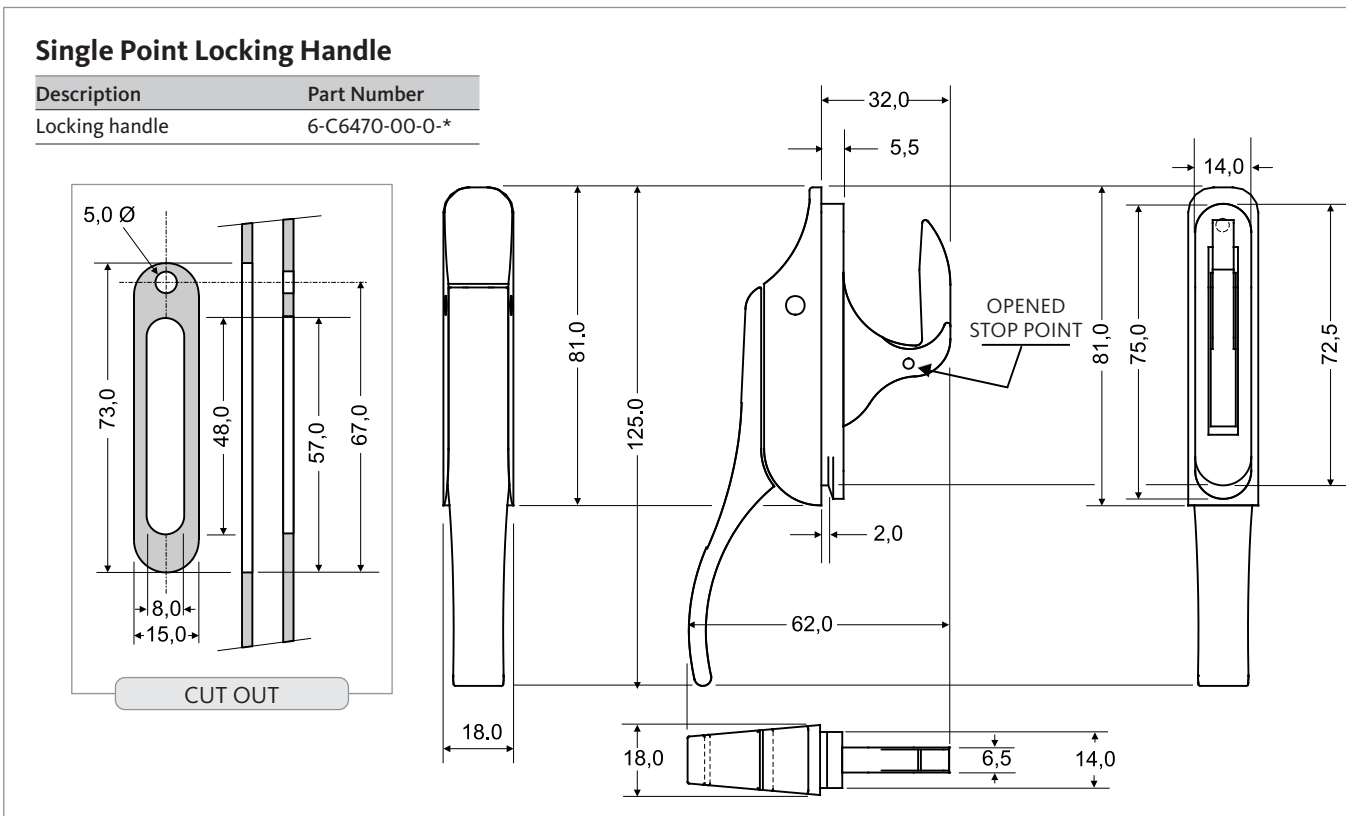
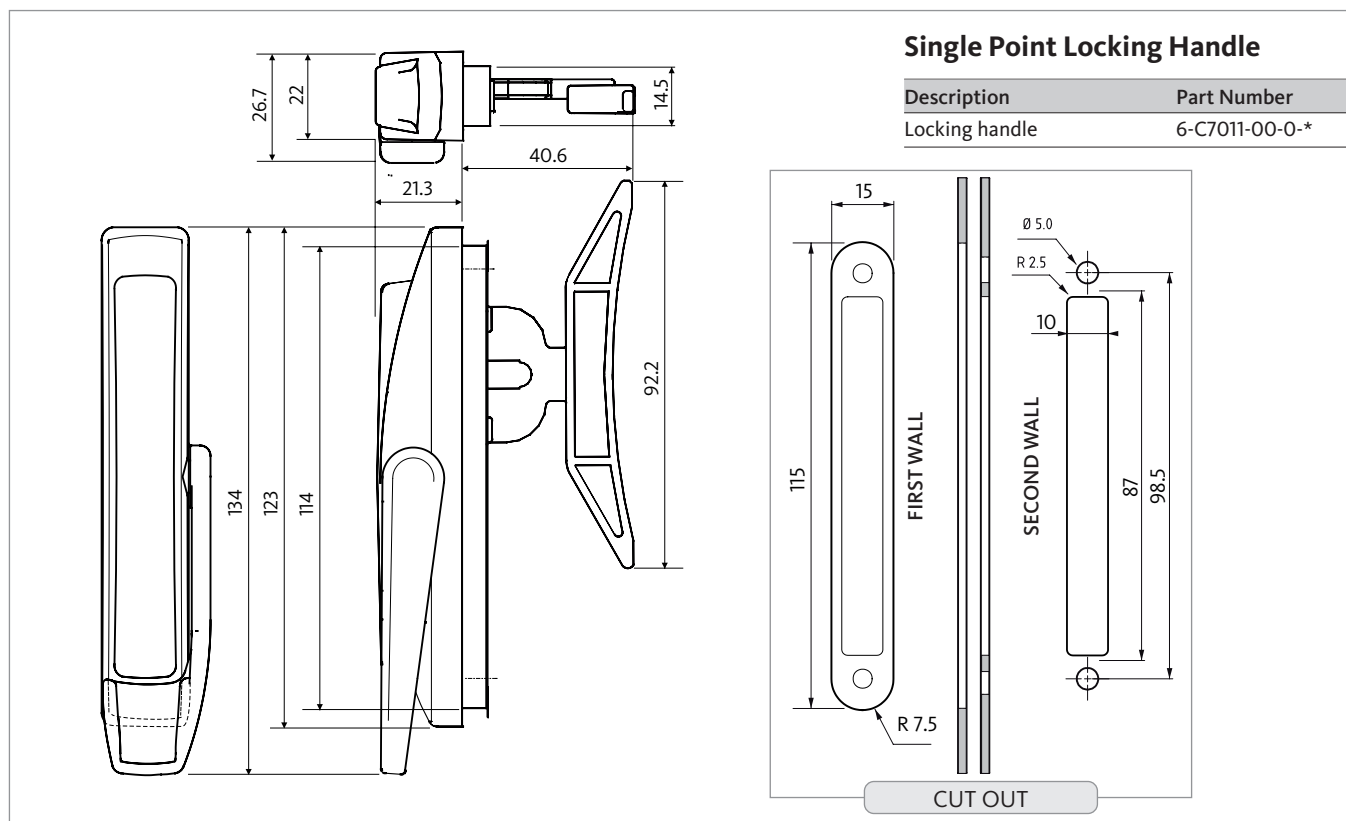
Description	Part Number
Locking handle	6-C7010-35-0-*



### FENIX Edge Multipoint Locking Handle

Description	Part Number
Locking handle	6-C6440-35-0-*

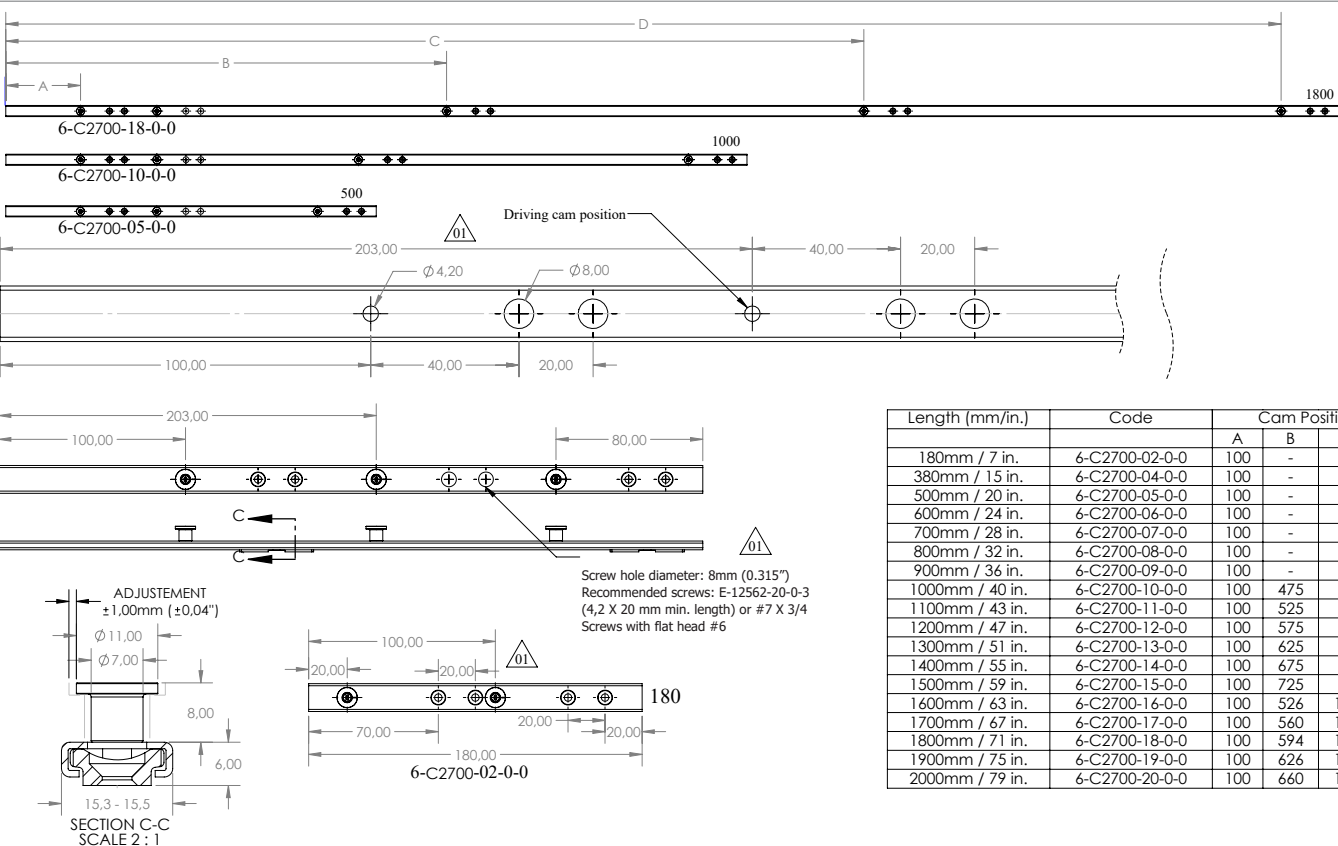




02  
T.1

# Casement & Awning Window Hardware

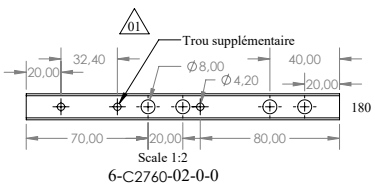
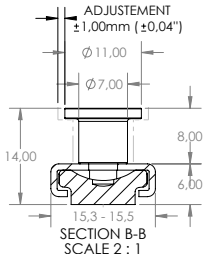
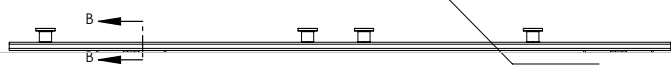
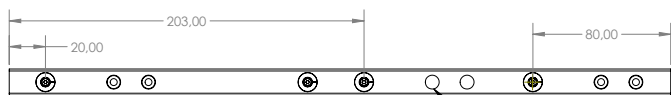
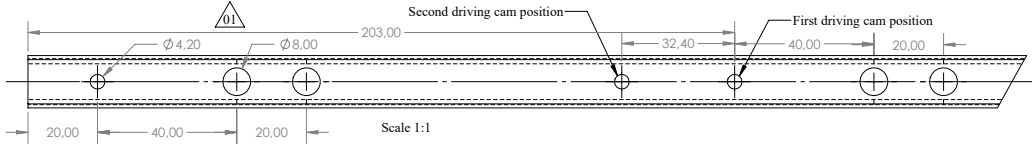
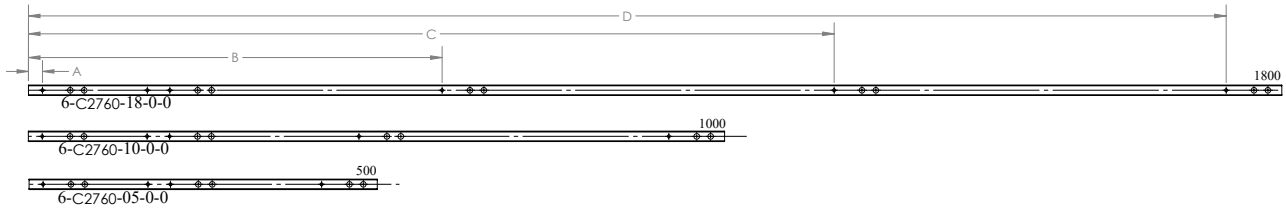
## Series 6-C2700 Multipoint Locking Bars



Length (mm/in.)	Code	Cam Position (mm)			
		A	B	C	D
180mm / 7 in.	6-C2700-02-0-0	100	-	-	100
380mm / 15 in.	6-C2700-04-0-0	100	-	-	300
500mm / 20 in.	6-C2700-05-0-0	100	-	-	420
600mm / 24 in.	6-C2700-06-0-0	100	-	-	520
700mm / 28 in.	6-C2700-07-0-0	100	-	-	620
800mm / 32 in.	6-C2700-08-0-0	100	-	-	720
900mm / 36 in.	6-C2700-09-0-0	100	-	-	820
1000mm / 40 in.	6-C2700-10-0-0	100	475	-	920
1100mm / 43 in.	6-C2700-11-0-0	100	525	-	1020
1200mm / 47 in.	6-C2700-12-0-0	100	575	-	1120
1300mm / 51 in.	6-C2700-13-0-0	100	625	-	1220
1400mm / 55 in.	6-C2700-14-0-0	100	675	-	1320
1500mm / 59 in.	6-C2700-15-0-0	100	725	-	1420
1600mm / 63 in.	6-C2700-16-0-0	100	526	1023	1520
1700mm / 67 in.	6-C2700-17-0-0	100	560	1090	1620
1800mm / 71 in.	6-C2700-18-0-0	100	594	1157	1720
1900mm / 75 in.	6-C2700-19-0-0	100	626	1223	1820
2000mm / 79 in.	6-C2700-20-0-0	100	660	1290	1920

# Casement & Awning Window Hardware

## Series 6-C2760 Multipoint Locking Bars



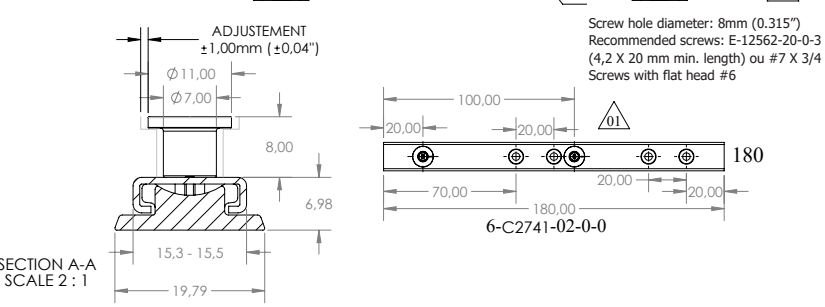
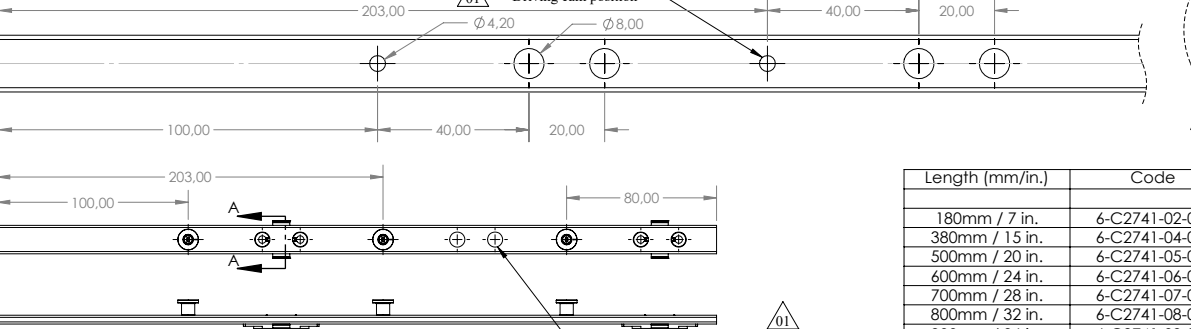
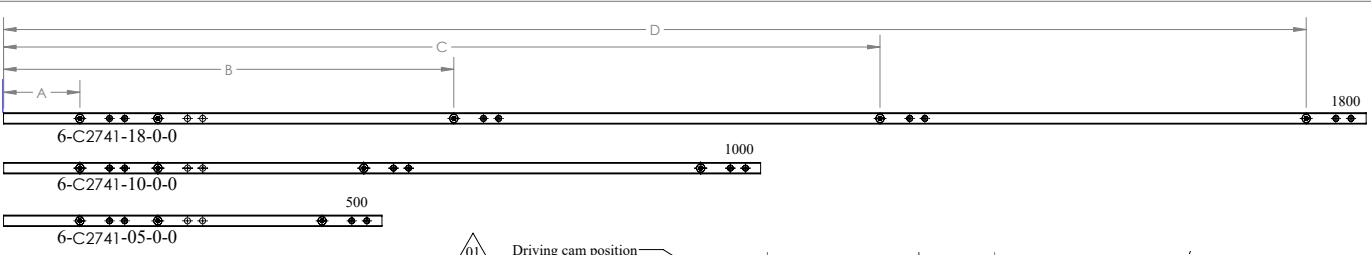
Screw hole diameter: 8mm (0.315")  
 Recommended screws: E-12562-20-0-3  
 (4.2 X 20mm min. length) ou #7 X 3/4  
 Screws with flat head #6

Length (mm/in.)	Code	Cam Position (mm)			
		A	B	C	D
180mm / 7 in.	6-C2760-02-0-0	20	-	-	-
380mm / 15 in.	6-C2760-04-0-0	20	-	-	300
500mm / 20 in.	6-C2760-05-0-0	20	-	-	420
600mm / 24 in.	6-C2760-06-0-0	20	-	-	520
700mm / 28 in.	6-C2760-07-0-0	20	-	-	620
800mm / 32 in.	6-C2760-08-0-0	20	-	-	720
900mm / 36 in.	6-C2760-09-0-0	20	-	-	820
1000mm / 40 in.	6-C2760-10-0-0	20	475	-	920
1100mm / 43 in.	6-C2760-11-0-0	20	525	-	1020
1200mm / 47 in.	6-C2760-12-0-0	20	575	-	1120
1300mm / 51 in.	6-C2760-13-0-0	20	625	-	1220
1400mm / 55 in.	6-C2760-14-0-0	20	675	-	1320
1500mm / 59 in.	6-C2760-15-0-0	20	725	-	1420
1600mm / 63 in.	6-C2760-16-0-0	20	526	1023	1520
1700mm / 67 in.	6-C2760-17-0-0	20	560	1090	1620
1800mm / 71 in.	6-C2760-18-0-0	20	594	1157	1720
1900mm / 75 in.	6-C2760-19-0-0	20	626	1223	1820
2000mm / 79 in.	6-C2760-20-0-0	20	660	1290	1920

02  
T.1

# Casement & Awning Window Hardware

## Series 6-C2741 Multipoint Locking Bars

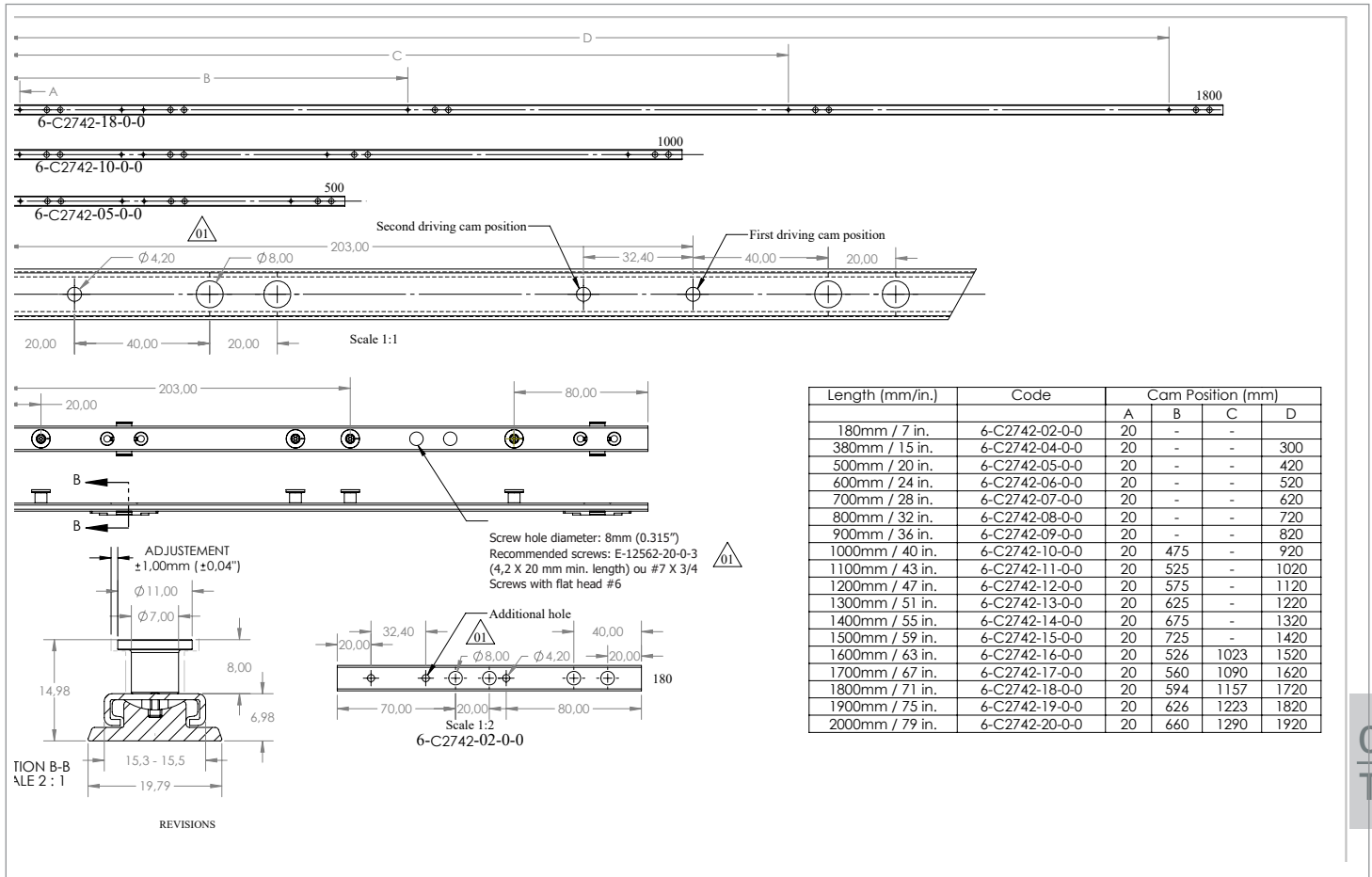


Length (mm/in.)	Code	Cam Position (mm)			
		A	B	C	D
180mm / 7 in.	6-C2741-02-0-0	100	-	-	100
380mm / 15 in.	6-C2741-04-0-0	100	-	-	300
500mm / 20 in.	6-C2741-05-0-0	100	-	-	420
600mm / 24 in.	6-C2741-06-0-0	100	-	-	520
700mm / 28 in.	6-C2741-07-0-0	100	-	-	620
800mm / 32 in.	6-C2741-08-0-0	100	-	-	720
900mm / 36 in.	6-C2741-09-0-0	100	-	-	820
1000mm / 40 in.	6-C2741-10-0-0	100	475	-	920
1100mm / 43 in.	6-C2741-11-0-0	100	525	-	1020
1200mm / 47 in.	6-C2741-12-0-0	100	575	-	1120
1300mm / 51 in.	6-C2741-13-0-0	100	625	-	1220
1400mm / 55 in.	6-C2741-14-0-0	100	675	-	1320
1500mm / 59 in.	6-C2741-15-0-0	100	725	-	1420
1600mm / 63 in.	6-C2741-16-0-0	100	526	1023	1520
1700mm / 67 in.	6-C2741-17-0-0	100	560	1090	1620
1800mm / 71 in.	6-C2741-18-0-0	100	594	1157	1720
1900mm / 75 in.	6-C2741-19-0-0	100	626	1223	1820
2000mm / 79 in.	6-C2741-20-0-0	100	660	1290	1920

02  
T.1

# Casement & Awning Window Hardware

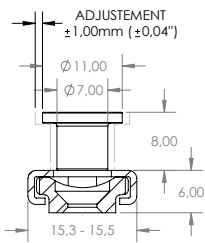
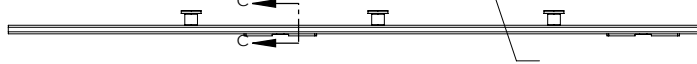
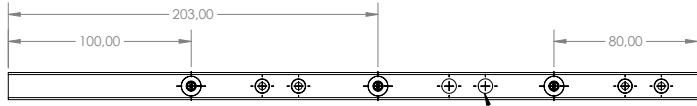
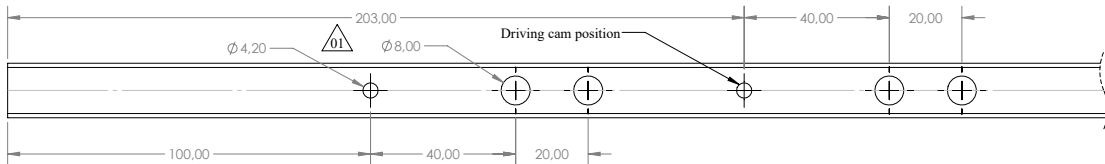
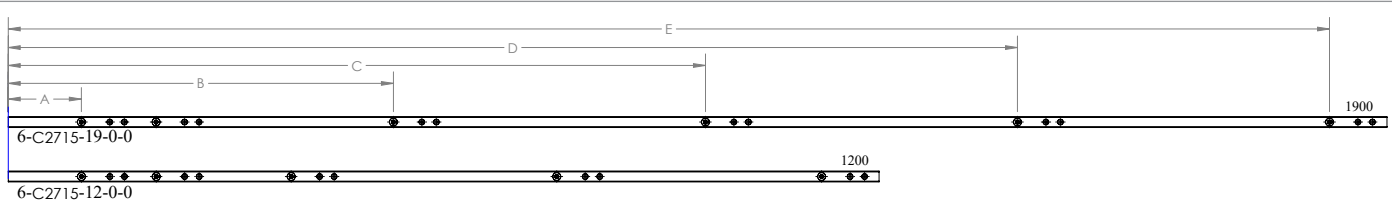
## Series 6-C2742 Multipoint Locking Bars



02  
T.1

# Casement & Awning Window Hardware

## Series 6-C2715 Multipoint Locking Bars



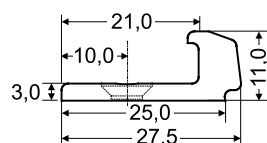
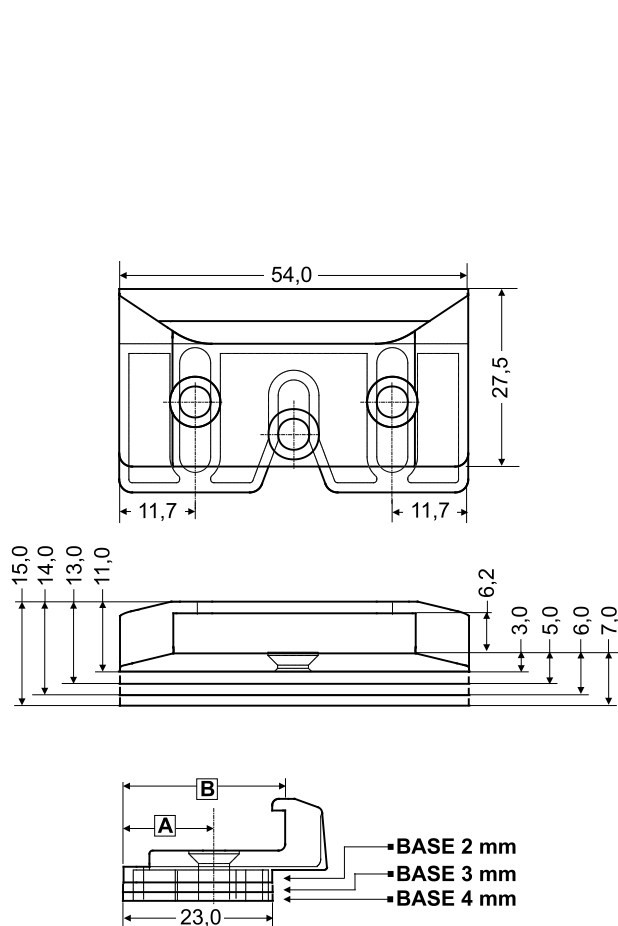
$\Delta 0.1$   
 Screw hole diameter: 8mm (0.315")  
 Recommended screws: E-12562-20-0-3  
 (4,2 X 20 mm min. length) ou #7 X 3/4  
 Screws with flat head #6

Length (mm/in.)	Code	Cam Position (mm)				
		A	B	C	D	E
1200mm / 47 in.	6-C2715-12-0-0	100	389	755	-	1120
1300mm / 51 in.	6-C2715-13-0-0	100	423	822	-	1220
1400mm / 55 in.	6-C2715-14-0-0	100	457	889	-	1320
1500mm / 59 in.	6-C2715-15-0-0	100	492	956	-	1420
1600mm / 63 in.	6-C2715-16-0-0	100	455	810	1165	1520
1700mm / 67 in.	6-C2715-17-0-0	100	480	860	1240	1620
1800mm / 71 in.	6-C2715-18-0-0	100	505	910	1315	1720
1900mm / 75 in.	6-C2715-19-0-0	100	530	960	1390	1820
2000mm / 79 in.	6-C2715-20-0-0	100	555	1010	1465	1920

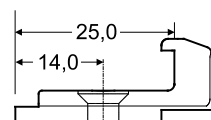
02  
T.1



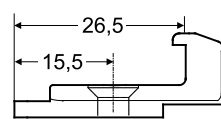
### Keepers 11 - 13 - 14 and 15mm



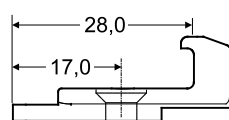
BASE 0 : 9-C2423-00-o-7



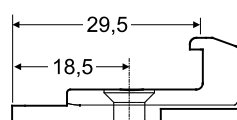
**POSITION 1**  
 BASE 2 : 9-C2423-21-o-7  
 BASE 3 : 9-C2423-31-o-7  
 BASE 4 : 9-C2423-41-o-7



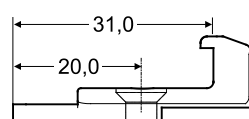
**POSITION 2**  
 BASE 2 : 9-C2423-22-o-7  
 BASE 3 : 9-C2423-32-o-7  
 BASE 4 : 9-C2423-42-o-7



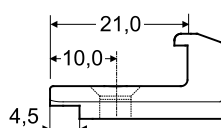
**POSITION 3**  
 BASE 2 : 9-C2423-23-o-7  
 BASE 3 : 9-C2423-33-o-7  
 BASE 4 : 9-C2423-43-o-7



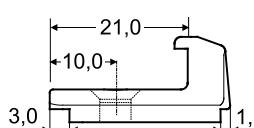
**POSITION 4**  
 BASE 2 : 9-C2423-24-o-7  
 BASE 3 : 9-C2423-34-o-7  
 BASE 4 : 9-C2423-44-o-7



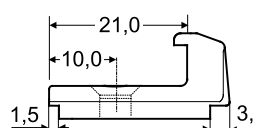
**POSITION 5**  
 BASE 2 : 9-C2423-25-o-7  
 BASE 3 : 9-C2423-35-o-7  
 BASE 4 : 9-C2423-45-o-7



**POSITION 6**  
 BASE 2 : 9-C2423-26-o-7  
 BASE 3 : 9-C2423-36-o-7  
 BASE 4 : 9-C2423-46-o-7



**POSITION 7**  
 BASE 2 : 9-C2423-27-o-7  
 BASE 3 : 9-C2423-37-o-7  
 BASE 4 : 9-C2423-47-o-7

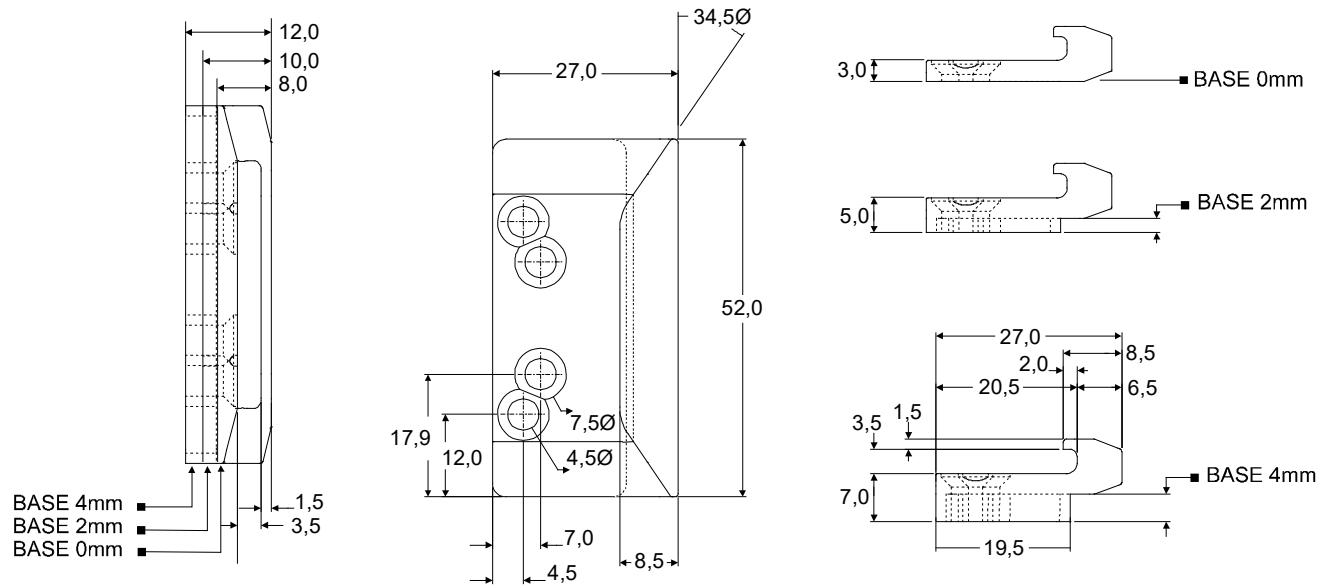


**POSITION 8**  
 BASE 2 : 9-C2423-28-o-7  
 BASE 3 : 9-C2423-38-o-7  
 BASE 4 : 9-C2423-48-o-7



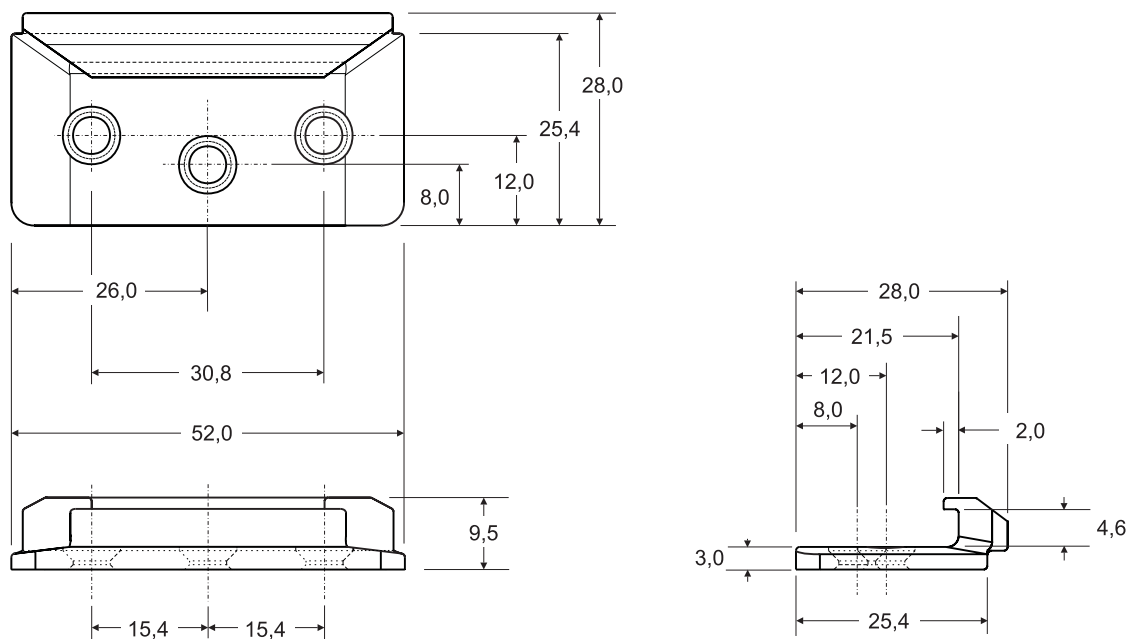
### Keepers 8 - 10 and 12mm

Description	Part Number
Keeper with base 0mm	9-C2420-00-0-7
Keeper with base 2mm	9-C2420-02-0-7
Keeper with base 4mm	9-C2420-04-0-7



### Keepers 9,5mm

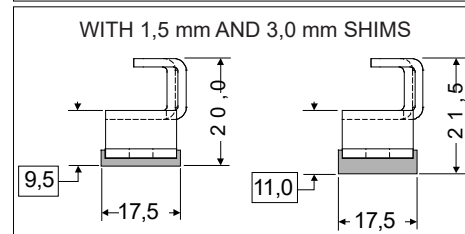
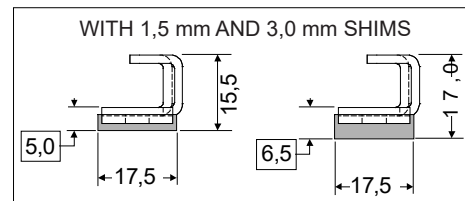
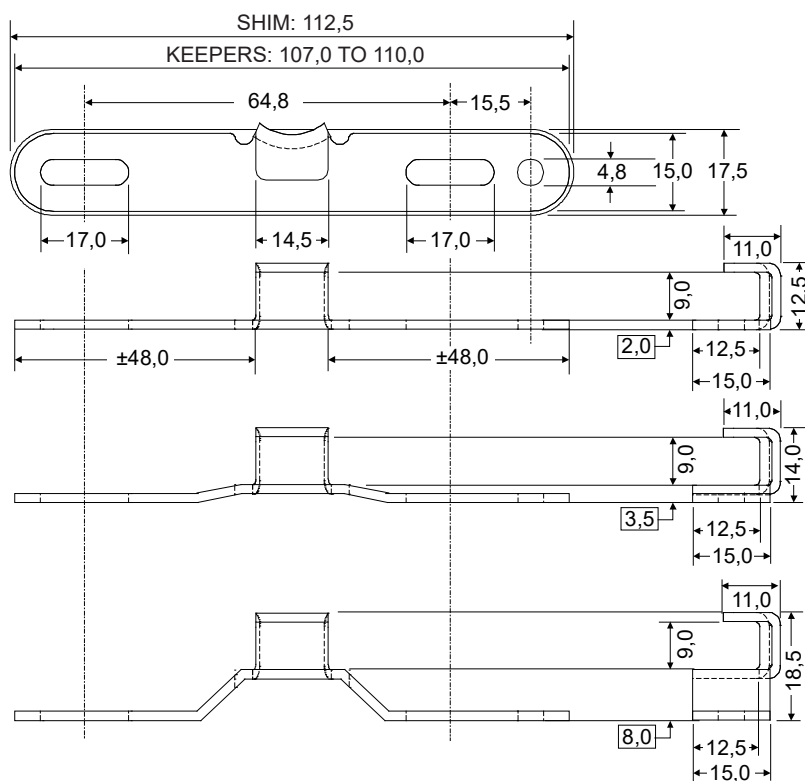
Description	Part Number
Keeper	9-C2311-00-0-0





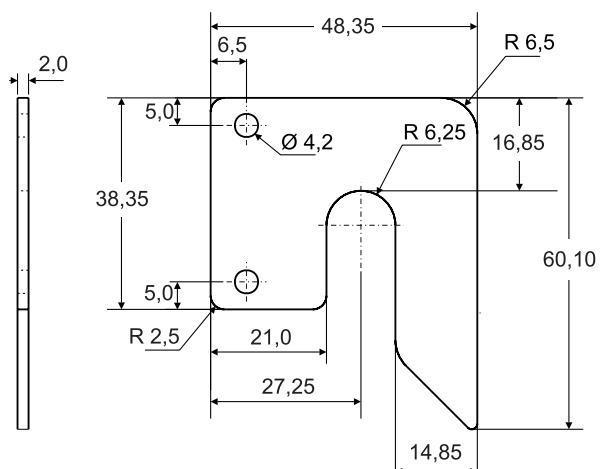
### Keepers

Description	Part Number
Keeper 2mm height	9-C2440-02-0-8
Keeper 3,5mm height	9-C2440-03-0-1
Keeper 5mm height (with nylon shim)	6-C2440-05-0-1
Keeper 6,5mm height (with nylon shim)	6-C2440-06-0-1
Keeper 8mm height	9-C2440-08-0-1
Keeper 9,5mm height (with nylon shim)	6-C2440-09-0-1
Keeper 11mm height (with nylon shim)	6-C2440-11-0-1



### Keeper

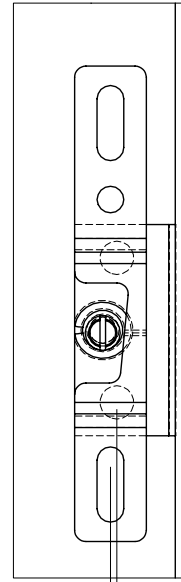
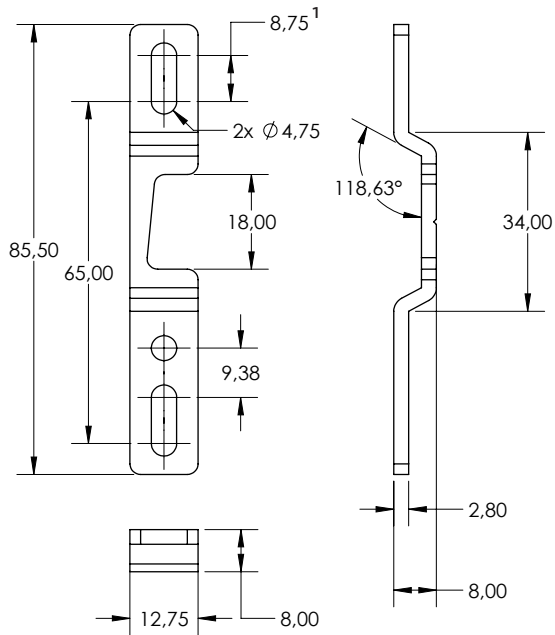
Description	Part Number
Keeper	9-C2725-00-0-2



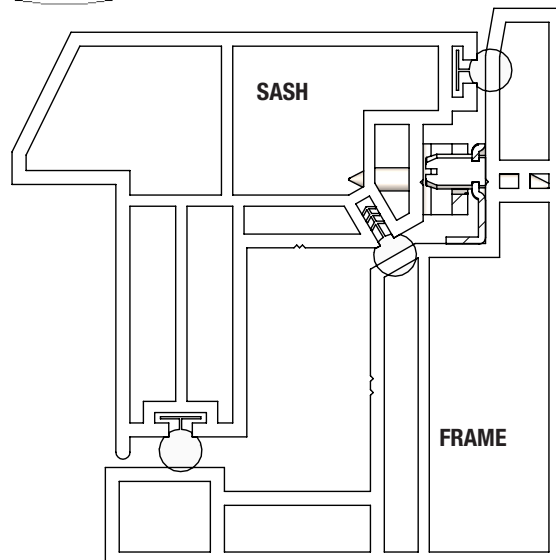
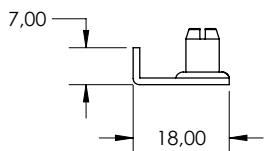
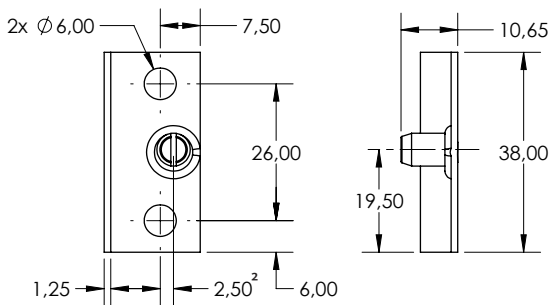
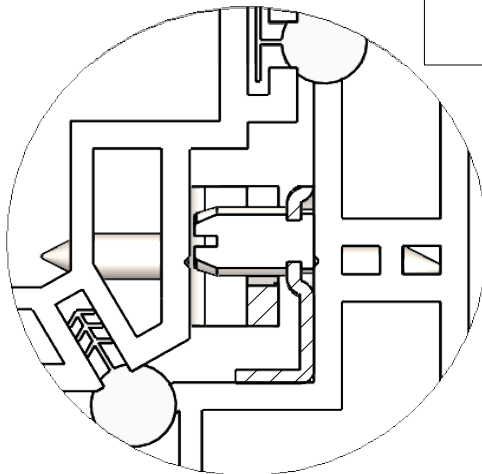


### Adjustable Snubber

Description	Part Number
Snubber	6-C9207-00-0-1



Center distance  
Max 1,1mm

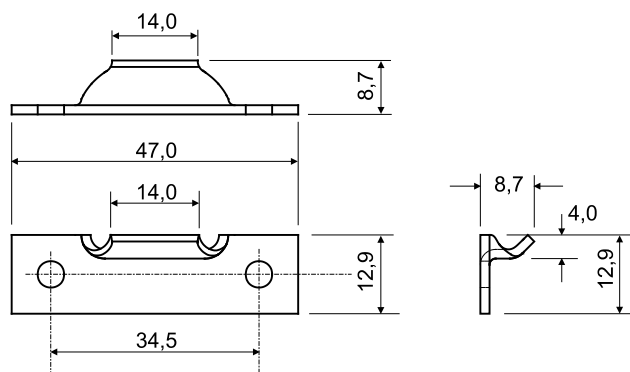


<sup>1</sup> +/- 0.42mm compression adjustment  
<sup>2</sup> +/- 0.50mm compression adjustment

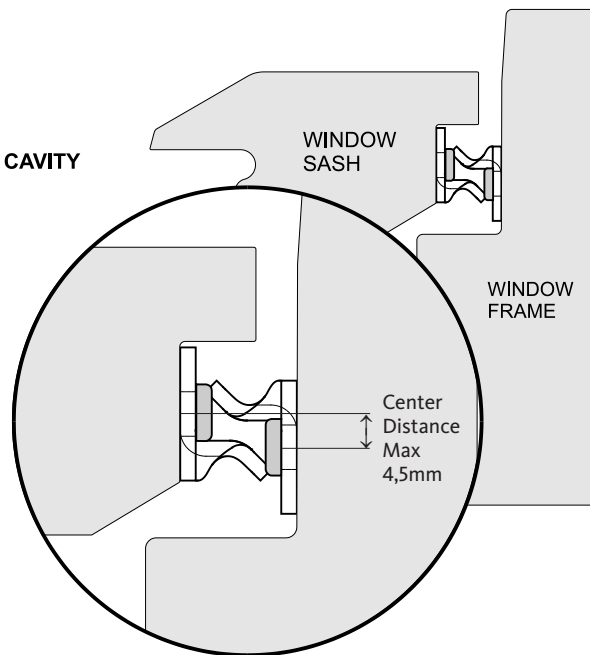


### Snubber

Description	Part Number
Snubber	9-C9202-09-0-*



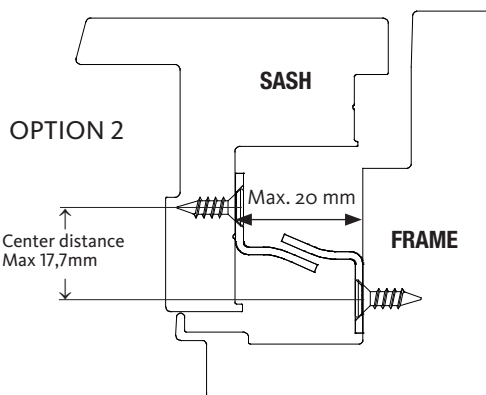
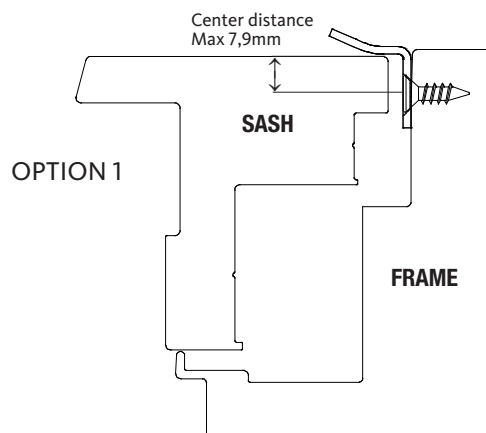
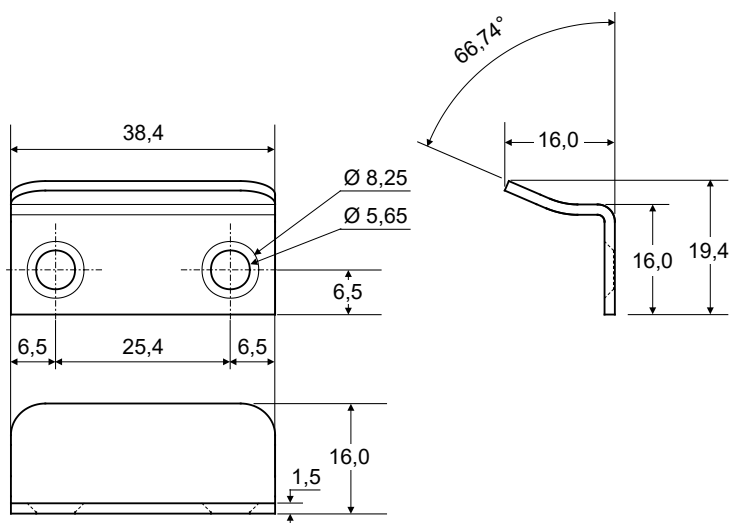
HINGE CAVITY



\*Center distance to be validated according to the profile

### Snubber (exterior)

Description	Part Number
Snubber	9-C2723-00-0-7

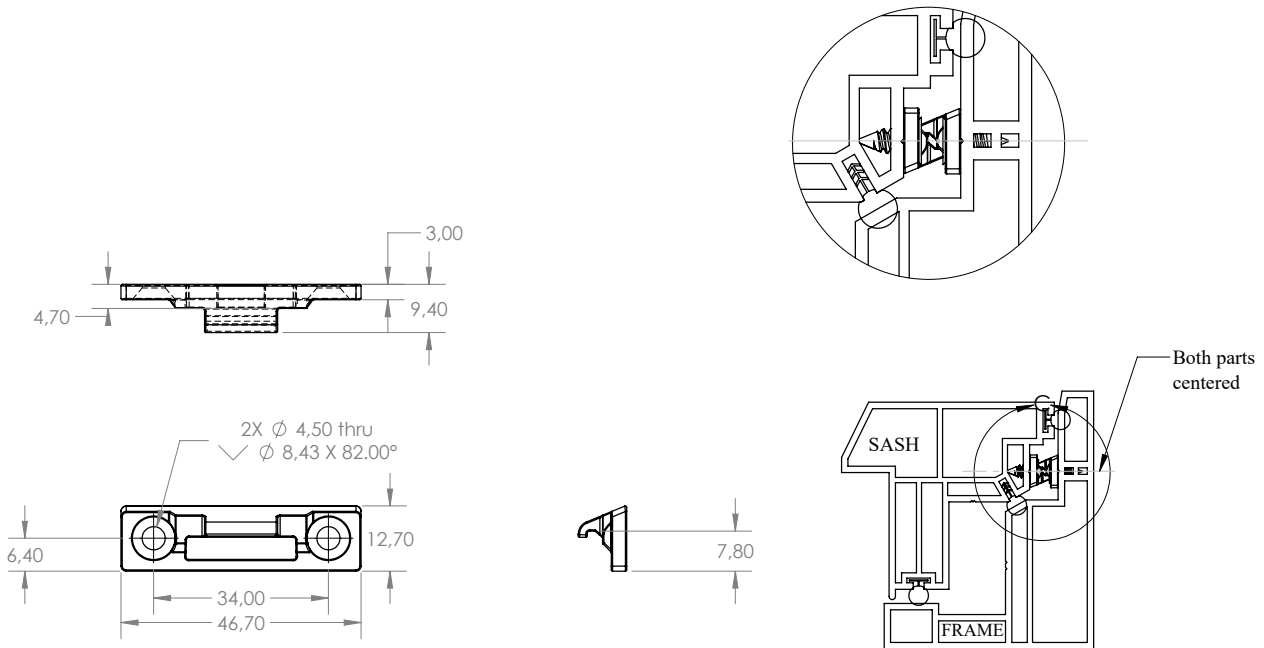


\*Center distance to be validated according to the profile



### Snubber 9x12x46mm

Description	Part Number
Snubber	9-C9201-00-0-1





WINDOW TECHNOLOGY  
 DOOR TECHNOLOGY  
 AUTOMATIC ENTRANCE SYSTEMS  
 BUILDING MANAGEMENT SYSTEMS



QUÉBEC / MARITIMES

Ferco Ferrures de Bâtiment Inc.  
 2000, Rue Berlier  
 Laval, QC H7L 4S4  
 Canada

T 450 973-1437  
 1 800 355-8810  
 F 450 973-7661  
 ferco@ferco.ca

ONTARIO / WESTERN PROVINCES

Ferco Architectural Hardware Inc.  
 T 905 282-9588  
 1 800 668-5310  
 F 905 282-9915

UNITED STATES

Ferco Architectural Hardware Inc.  
 T 1 800 927-1097  
 F 1 888 454-0161

[www.ferco.ca](http://www.ferco.ca)

Securing technology for you

