



WINDOW TECHNOLOGY
DOOR TECHNOLOGY
AUTOMATIC ENTRANCE SYSTEMS
BUILDING MANAGEMENT SYSTEMS



DOOR TECHNOLOGY – ORDER CATALOG | SECTION 03.9



FERCO & GU hinges for Wood, PVC & Aluminum

Securing technology for you



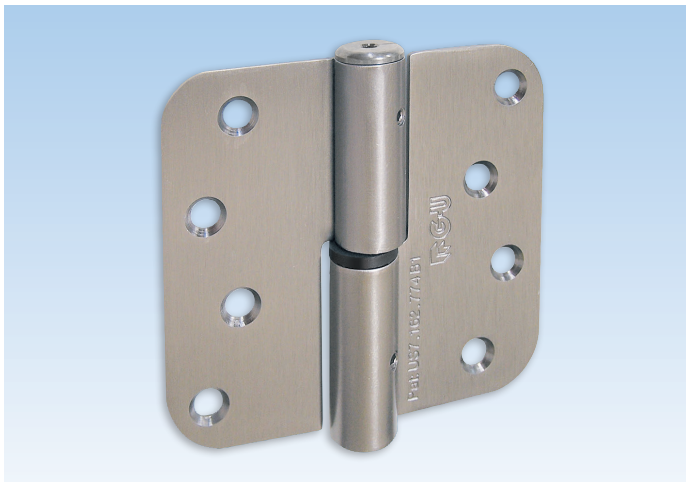


03.9

FERCO & GU hinges for Wood, PVC & Aluminum

3D Adjustable Butt Hinges	03.9.5
Drill-in Hinges.....	03.9.6
GU Hinges.....	03.9.11

3D Adjustable Butt Hinges



Three-way 4" x 4" Adjustable Hinges (Box of 3 Hinges)

Description	PU	Part Number
Square + round corners	1	6-C8070-AZ-L/R-8
Square + round corners	1	6-C8070-AZ-L/R-6
Round + round corners	1	6-C8072-AZ-L/R-8
Round + round corners	1	6-C8072-AZ-L/R-6

PU = Packaging Unit

8 = Stainless Steel, 6 = Black PC



The perfect solution to numerous hinge applications

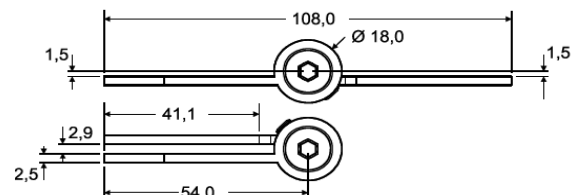
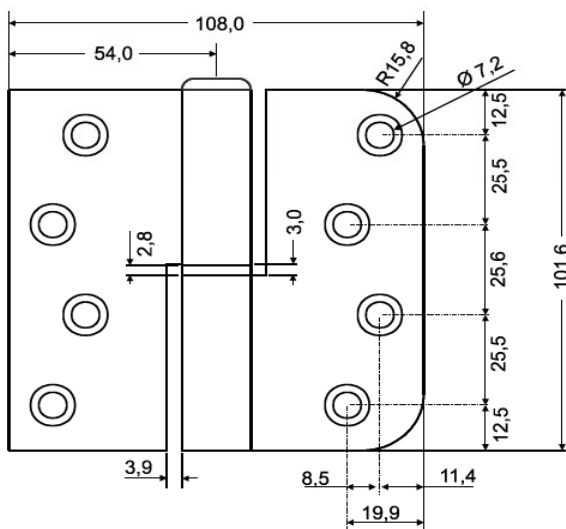
- High-end 4" x 4" hinge that requires no special routing or preparation
- Provides an excellent solution for solving tricky field service problems due to its ability to be a drop in replacement for standard butt hinges
- Three-way adjustments for increase or decrease weather seal pressure on the panel
- Door panel adjustment can be done with door in closed position eliminating any adjustment guesswork
- No need for NRP due to unique barrel design

Additional information

- Made of 304 stainless steel
- Standard 4" x 4" size
- Frame leaf with rounded corners 5/8" R
- Door leaf with square corners or rounded corners
- Adjustable 3 ways:
 - Lateral ± 2 mm
 - Depth ± 2 mm
 - Height -2mm, +5mm
- For inswing or outswing doors
- #10 x 5/8", 3/4" and 1 1/4" stainless steel flat head screws with Quadrex socket are included
- Black adjustment bushings are included
- Allen keys are included
- Tested at 125 lbs according to BHMA/ANSI A156.1 Grade 3

Additional information

- Hinge made of steel
- 2 parts for sash with 2 hinges up to 80kg
- Cover made of solid brass
- Lacquered surface



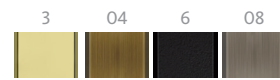


Non-Adjustable Side Hung Sash Hinge - For Timber Elements

Description	Color	PU	Part Number
Drill-In Hinge	Bi- Chromated	100	6-C8840-13-0-3
Cover	*	25	9-C8842-00-P-*

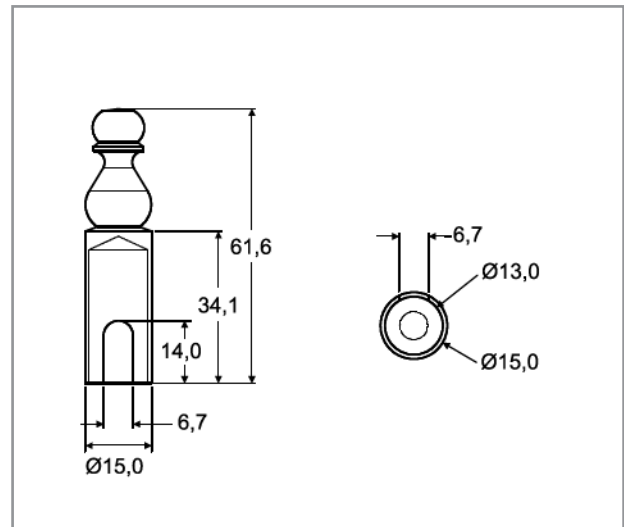
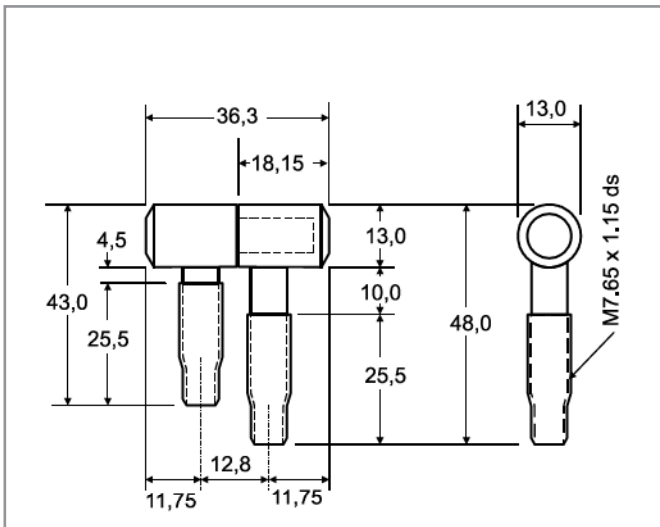
* = Color PU = Packaging Unit

3 = Polished Brass, 04 = Antique Brass, 6 = Black, 08 = Pewter



Additional information

- Hinge made of steel
- 2 parts for sash with 2 hinges up to 80kg
- Cover made of solid brass
- Lacquered surface
- Used for overlap wood sashes





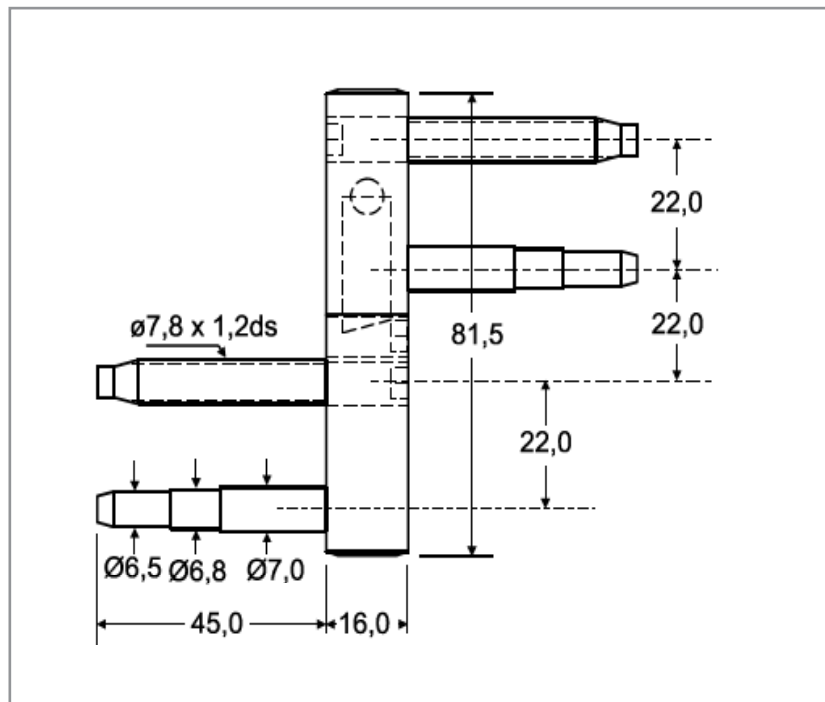
Safety set screw

3D Adjustable Drill-in Hinge - For Timber Elements

Description	Color	PU	Part Number
Inside Installation Hinge	Bi- Chromated	50	6-C8835-00-0-3
Outside Installation Hinge	Zinc	50	6-C8836-00-0-1
PU = Packaging Unit			

Additional information

- Hinge made of steel
- Pivoting on nylon bushings
- Door hinge for timber sashes up to 130kg
- Adjustable on 3 axes



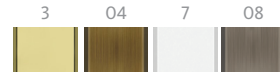


Cover for 3D Adjustable Drill-in Hinge - For Timber Elements

Description	PU	Part Number
Cover	25	9-C8839-00-P-*

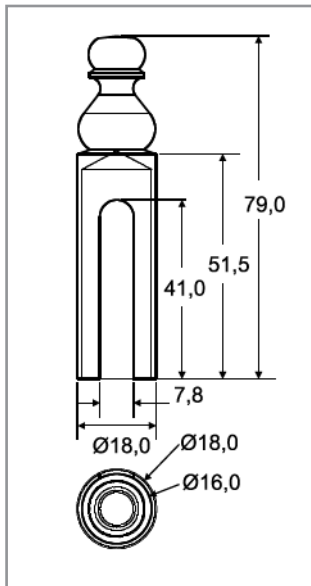
* = Color PU = Packaging Unit

3 = Polished Brass, 04 = Antique Brass, 7 = White, 08 = Pewter



Additional information

- Safety set screw on model 6-C8836 for outside installation
- Cover made of solid brass
- Lacquered surface
- Use with 3D Adjustable Drill-in hinge 6-C8835-00-0-3
- Cover 9-C8839-00-P-* available in finish 3, 04 and 08





Safety set screw

3D Adjustable Drill-in Hinge - For PVC Elements

Description	Color	PU	Part Number
Inside Installation Hinge	Bi-Chromated	50	6-C8835-00-0-3
* = Color		PU = Packaging Unit	

Additional information

- Hinge made of steel
- Pivoting on nylon bushings
- Door hinge for timber sashes up to 130kg
- Adjustable on 3 axes

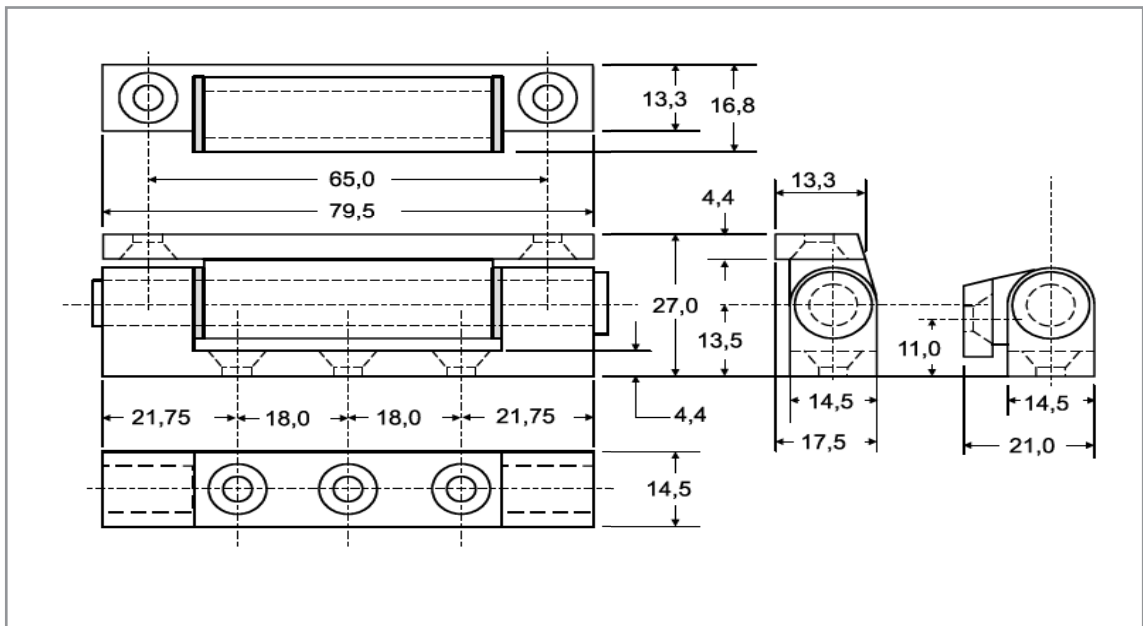


Light Duty Butt Hinge - For PVC Elements

Description	PU	Part Number
Butt Hinge	25	6-C8830-00-0-7
PU = Packaging Unit		

Additional information

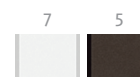
- Produced from high quality zinc die cast
- Pivoting on nylon bushings
- Stainless Steel securing pin
- Door hinge for sashes up to 60kg
- Suitable for side hung sash windows and light doors





Door hinges for elements of up to 120 kg - For PVC Elements

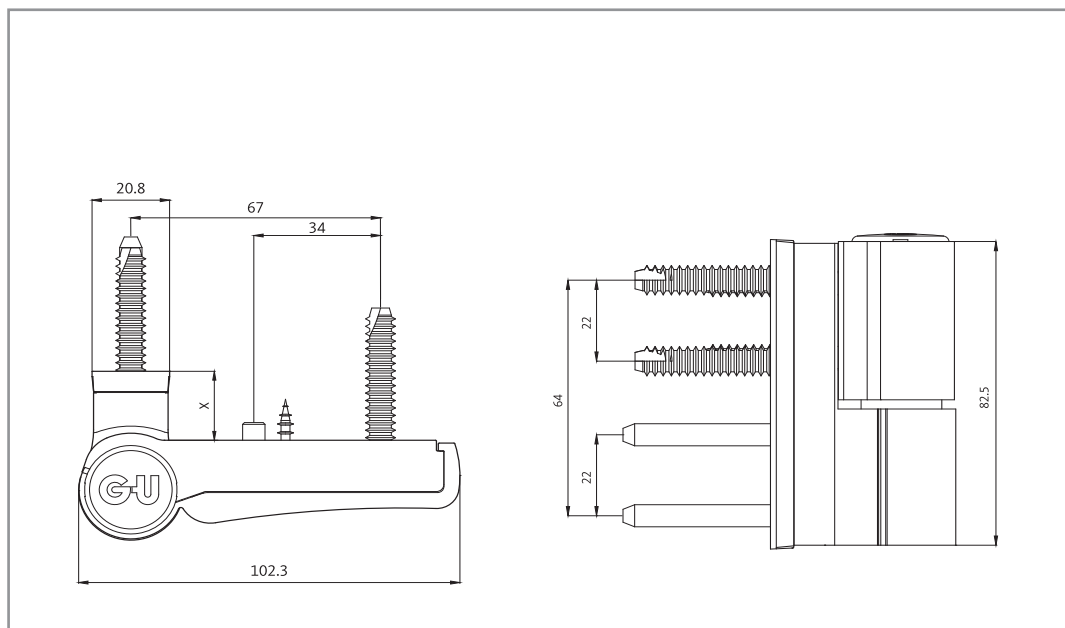
Description	Overlap (mm)	PU	Part Number
GU G 812 - Individual pack	13.5 - 19.5	1	H-01404-00-0-*
GU G 812 - Multi-pack	13.5 - 19.5	24	H-01404-24-0-*
Drilling jig for the above hinges	-	1	H-01407-00-0-0
* = Color		PU = Packaging Unit	
7 = White, 5 = Brown			



Additional information

- Simple service-friendly one-man-installation
- 3D adjustment using only one tool, no need to unhinge or support the element
- Simple installation requiring only 1 drill bit size
- Linear horizontal adjustment
- Hardened security pin
- Can withstand high loads up to 120 kg, depending on the profile design

03
9



Adjustment options

- Horizontal adjustment: ± 4 mm
- Vertical adjustment: +4 mm / -1 mm
- Gasket pressure adjustment: +1.5 mm / -1 mm



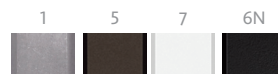


Door hinges for elements of up to 160 kg - For PVC Elements

Description	Overlap (mm)	PU	Part Number
GU G 816 -Individual pack	13.5 - 19.5	1	H-01408-00-0-7
GU G 816 - Multi-pack	13.5 - 19.5	24	H-01408-24-0-1 H-01408-24-0-6N H-01408-24-0-7
GU G 816 -Individual pack	17 - 23	1	H-01409-00-0-7
GU G 816 -Multi-pack	17 - 23	24	H-01409-24-0-1 H-01409-24-0-7 H-01409-24-0-9

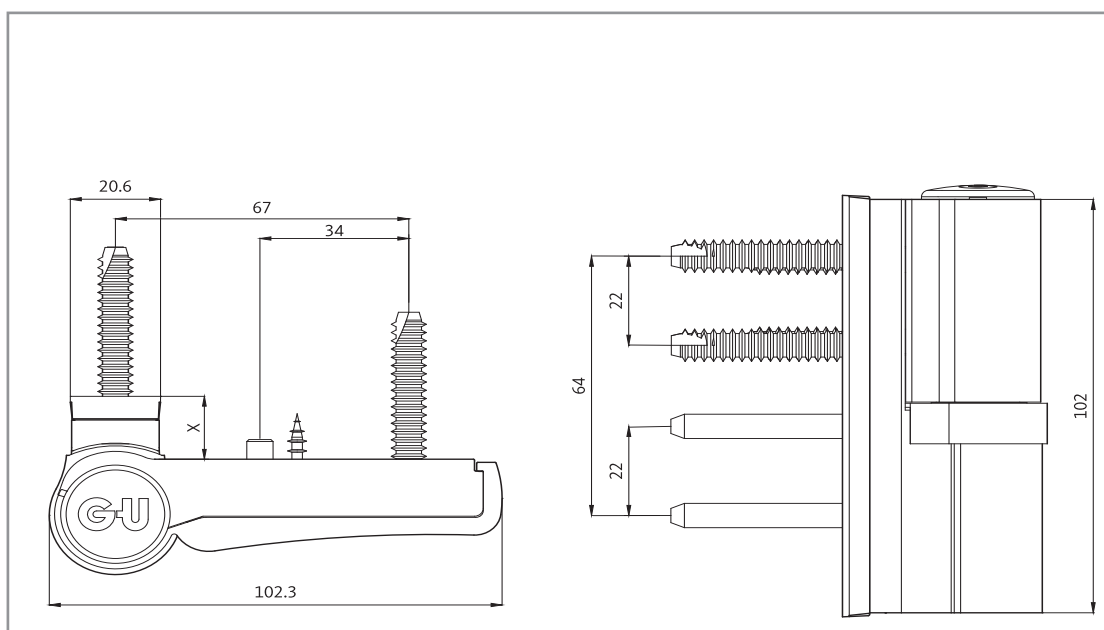
* = Color PU = Packaging Unit

1 = EV1 Anodised, 5 = Brown, 7 = White, 6N = Black, 9 = Finish On Demand



Additional information

- Simple service-friendly one-man-installation
- 3D adjustment using only one tool, no need to unhinge or support the element
- Simple installation requiring only 1 drill bit size
- Linear horizontal adjustment
- Hardened security pin
- Can withstand high loads up to 160 kg, depending on the profile design



Adjustment options

- Horizontal adjustment: ± 4 mm
- Vertical adjustment: +4 mm / -1 mm
- Gasket pressure adjustment: +1.5 mm / -1 mm





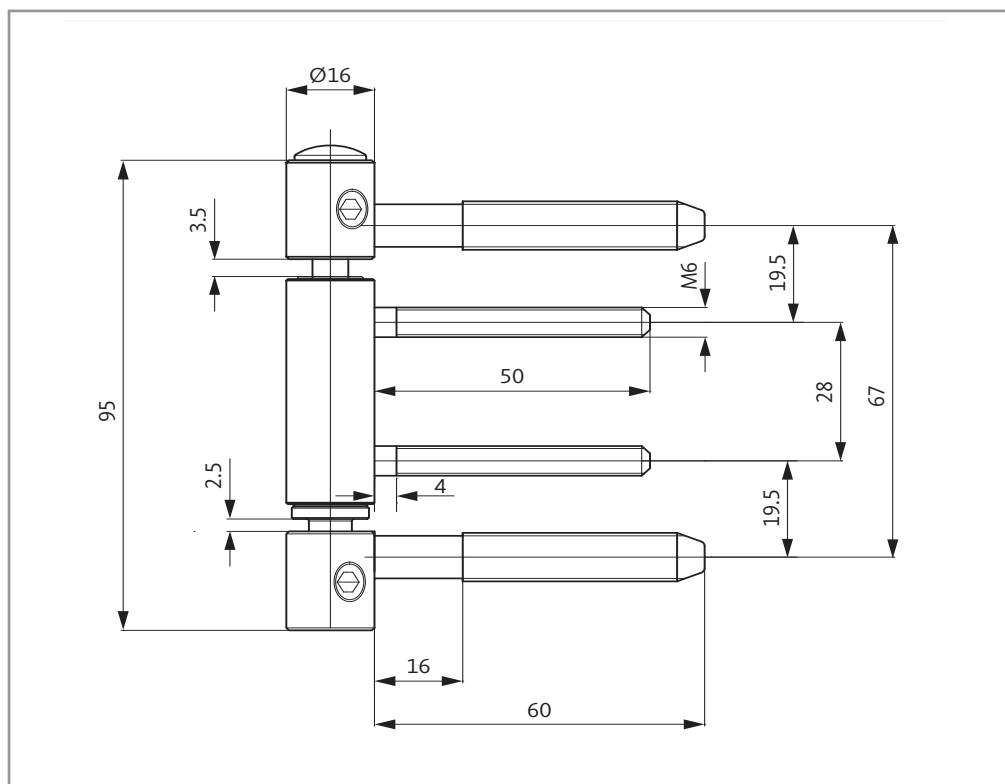
GU D 312-16 3D – Drill-in hinge - up to 120 kg - For Timber Elements

Description	PU	Part Number
GU D 312-16 3D with secured pins - Galvanised	1	H-01700-00-L/R-1
PU = Packaging Unit		

Additional information

- For timber elements with particularly low overlap height and overlap gasket
- Can also be used on narrow sashes
- 3D adjustment possible
- Maintenance-free bearing system
- **Technical data :**
 - Hinge Ø 16 mm
 - Length of roll 95 mm
 - Leaf pins 6.0 x 50 mm
 - Frame pins 9.8 x 60 mm

03
9



Adjustment options

- Horizontal adjustment: ± 4 mm
- Vertical adjustment: +3 mm / -2.5 mm
- Gasket pressure adjustment: ±4 mm



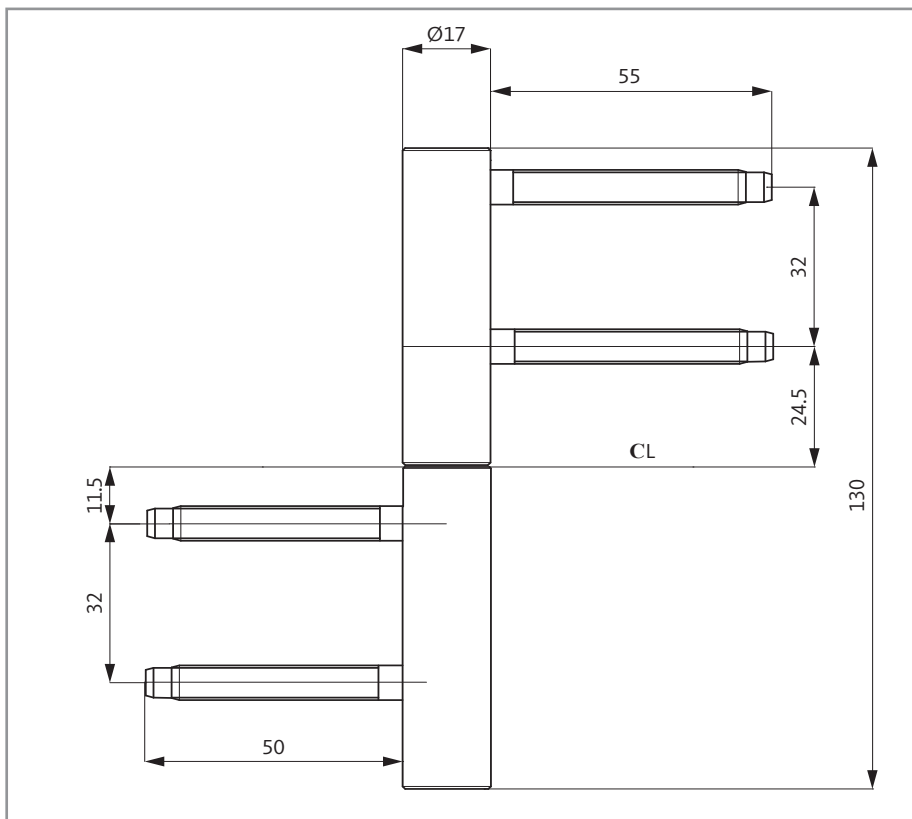


GU D 212-17 3D – Drill-in hinge - up to 120 kg - For Timber Elements

Description	PU	Part Number
GU D 212-17 3D - Galvanised	10	H-01727-00-0-1
PU = Packaging Unit		

Additional information

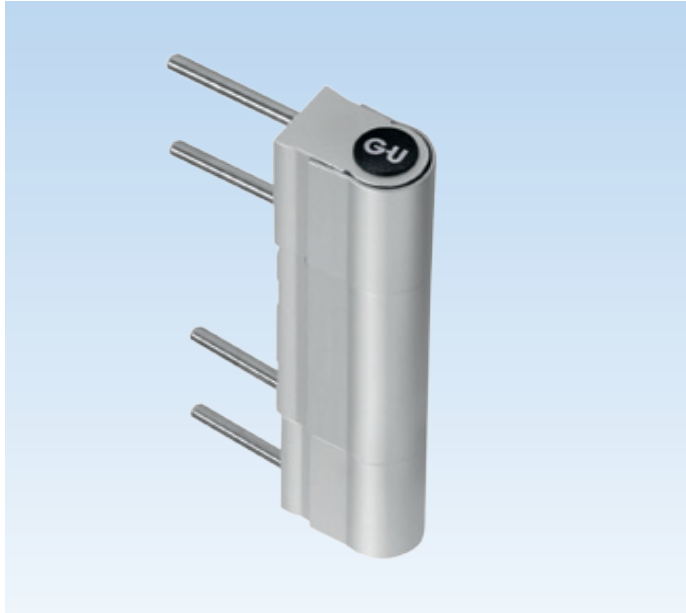
- For rebated timber elements
- Durable fixing using two threaded bolts respectively
- Additional threaded coupling at the top threaded bolt to stabilize the door hinge
- Comes with threaded coupling as standard
- 3D adjustment possible
- Maintenance-free bearing system lift off hinge
- Lift off hinge
- **Technical data :**
 - Hinge Ø 17 mm
 - Length of roll 130 mm
 - Leaf pins 8.0 x 55 mm
 - Frame pins 8.0 x 50 mm



Adjustment options

- Horizontal adjustment: ± 4 mm
- Vertical adjustment: +2.5 mm / -2 mm
- Gasket pressure adjustment: ±4 mm





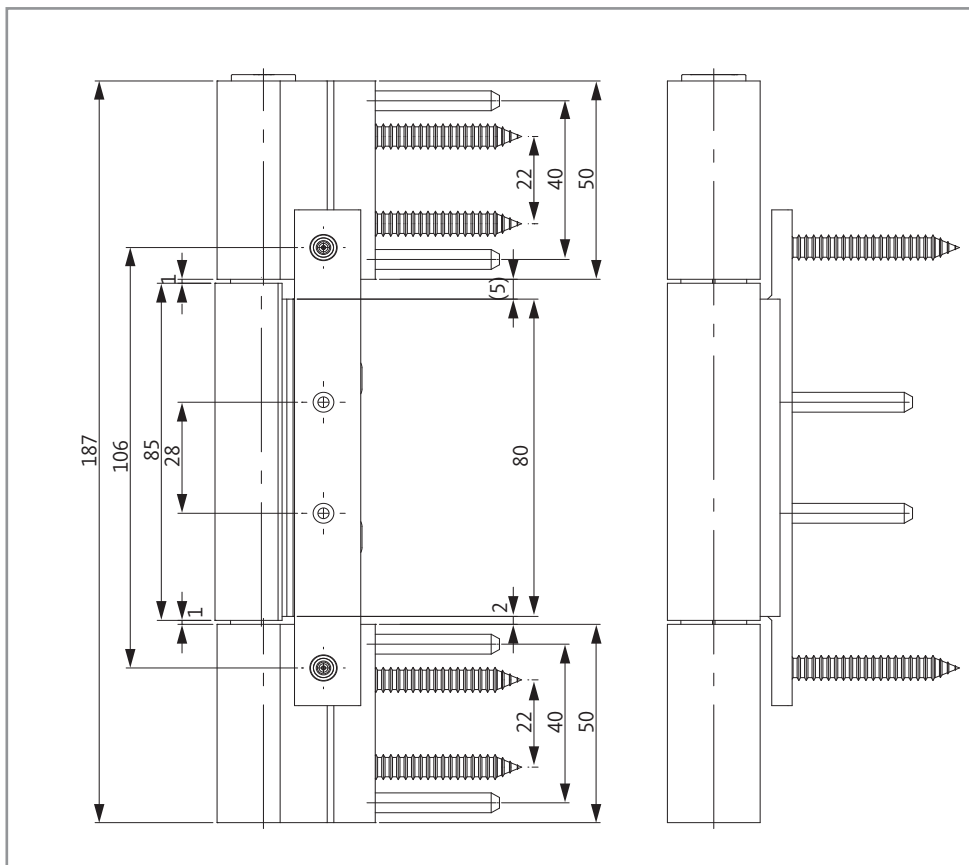
GU R 816 3D – Barrel hinge - up to 160 kg - For PVC Elements

Description	Overlap (mm)	PU	Part Number
GU R 816 3D - Barrel Hinge	16 - 21	1	H-01797-00-0-1
* = Color		PU = Packaging Unit	

Additional information

- Simple service-friendly one-man-installation
- Slender and round – hinge diameter of only 22 mm
- Can be quickly and conveniently adjusted in three dimensions
- No barrel offset following lateral adjustment
- Increased burglar resistance, SKG-certified
- Hardened security pin
- Optional fixing accessories
- Can withstand high loads up to 160 kg, depending on the profile design

03
9



Adjustment options

- Horizontal adjustment:
± 3 mm
- Vertical adjustment:
+4 mm / -1 mm
- Gasket pressure adjustment:
-1 mm



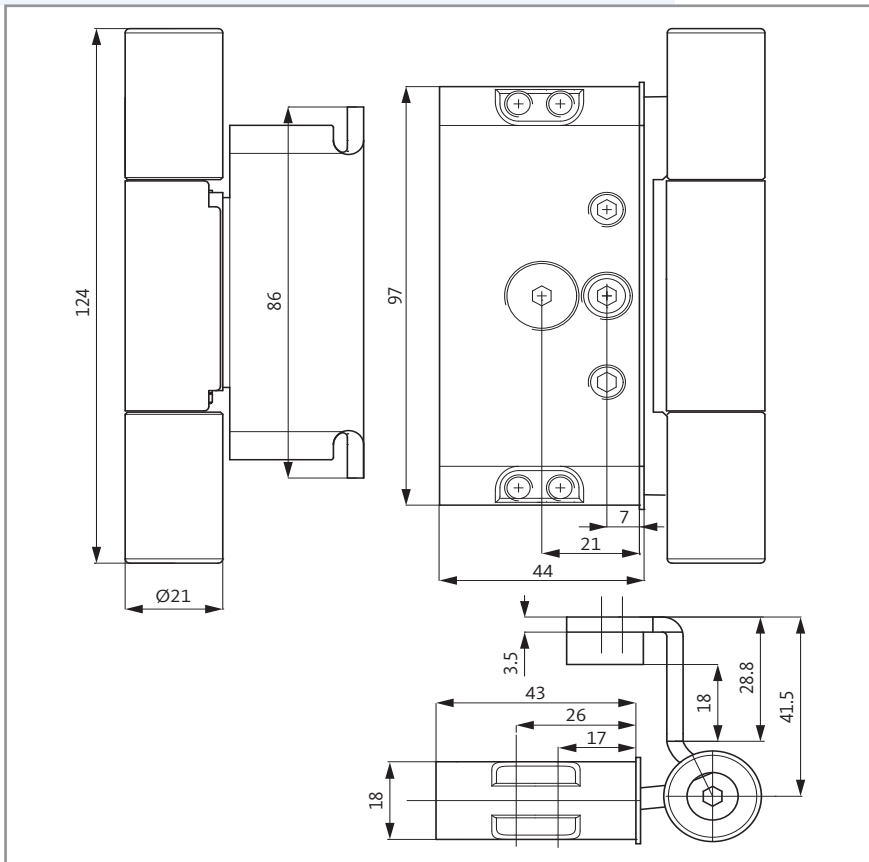


GU M 516 3D – Mill-in hinge - up to 200 kg - For Timber Elements

Description	PU	Part Number
GU M 516 3D matt stainless steel without gasket-guide	6	H-01662-06-L/R-8
* = Color		PU = Packaging Unit

Additional information

- Increased burglar resistance, can be used for system tests according to EN 1627 and seq./RC 3
- CE-certified according to EN 1935, can be used for doors in escape and rescue routes
- Can be quickly and conveniently adjusted in three dimensions and independently from each other
- Stable hinge seating during and after setting the door-hinges
- Can continuously withstand high loads
- Individual gasket-guide can be used for almost all rebate systems



Adjustment options

- Horizontal adjustment: ± 2.5 mm
- Vertical adjustment: +4 mm / -2 mm
- Gasket pressure adjustment: +3 mm / -1 mm





WINDOW TECHNOLOGY
DOOR TECHNOLOGY
AUTOMATIC ENTRANCE SYSTEMS
BUILDING MANAGEMENT SYSTEMS

QUÉBEC / MARITIMES

Ferco Ferrures de Bâtiment Inc.
2000, Rue Berlier
Laval, QC H7L 4S4
Canada

T 450 973-1437
1 800 355-8810
F 450 973-7661
ferco@ferco.ca

ONTARIO / WESTERN PROVINCES

Ferco Architectural Hardware Inc.
T 905 282-9588
1 800 668-5310
F 905 282-9915

UNITED STATES

Ferco Architectural Hardware Inc.
T 1 800 927-1097
F 1 888 454-0161

www.ferco.ca

Securing technology for you

