



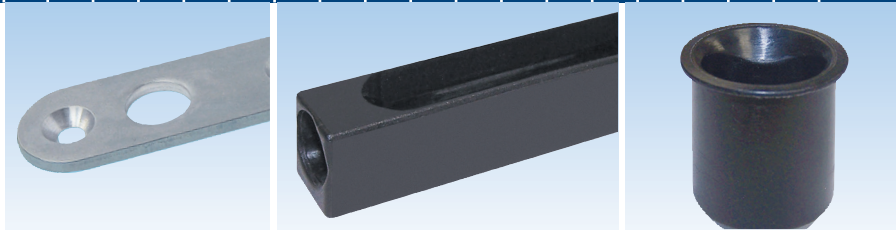
WINDOW TECHNOLOGY
DOOR TECHNOLOGY
AUTOMATIC ENTRANCE SYSTEMS
BUILDING MANAGEMENT SYSTEMS



DOOR TECHNOLOGY – ORDER CATALOG | SECTION 03.6



Astragal Mortise Lock & Flushbolts



Securing technology for you







03.6

Astragal Mortise Lock & Flushbolts

- **AML**

Astragal Mortise Lock	03.6.5
Driving Rods.....	03.6.6
Faceplates.....	03.6.7
AML Guides and Strike Cups.....	03.6.8

- **AMLOC**

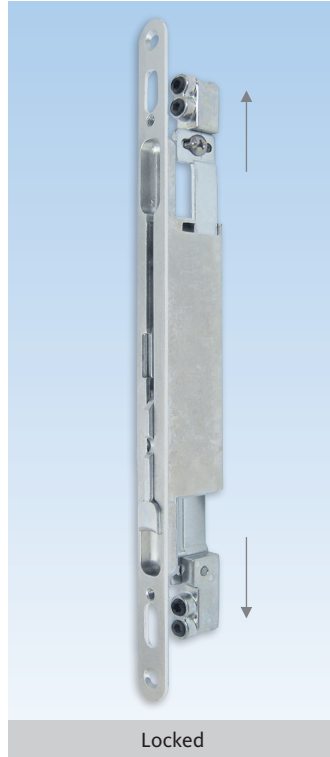
Astragal Mortise Lock Off-Center.....	03.6.10
Driving Rods.....	03.6.11
Faceplates.....	03.6.12
AMLOC Guides and Strike Cups.....	03.6.13

Flushbolts	03.6.16
Wood Mount Displays	03.6.17



AML Astragal Mortise Lock

Backset Adjustable for Astragal 12.7 - 28mm



Astragal Mortise Lock

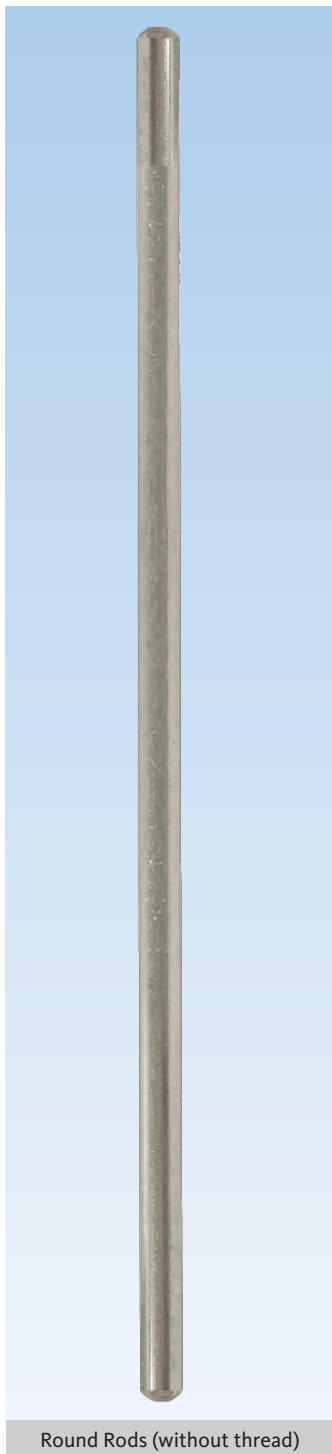
Description	Color	PU	Part Number
Mortise lock (AML)	Zinc	10	6-C7250-19-0-0
* = Color		PU = Packaging Unit	

Additional information

- Used on the inactive panel of double doors
- Shoot extends to 25mm (adjustable by reducing rod length)
- Non-handed mechanism
- 20mm faceplate cover with radius ends
- Backset adjustable for astragal thickness 12.7mm to 28mm
- Use with 10mm round rods
- Refer to installation drawing " AML 6-C7250-19-0-0 Cut-Out"
- AML fastening screws are not included. Sizing is dependent on astragal thickness

Driving Rods

for AML Mortise Lock



Round Rods (without thread)

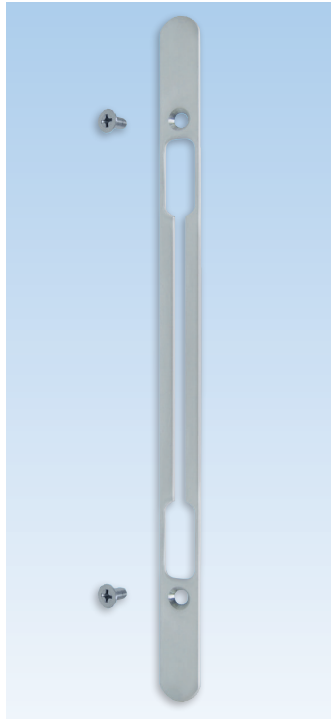
Top and Bottom Round Rods For AML			
Description	Color	PU	Part Number
Top rods fixed size			
641mm (25 1/4") long for door slab 79"	Zinc	10	9-C5212-00-0-3
1047mm (41 1/4") long for door slab 95"	Zinc	10	9-C5214-00-0-3
Additional Top rods			
1619mm (63 3/4") long	Zinc	10	9-U1015-00-0-3
Bottom rod fixed size – Mortise lock height 1280mm			
1200mm (47 1/4") long	Zinc	10	9-U1010-00-0-3
* = Color		PU = Packaging Unit	

Additional information

- Made of zinc plated steel
- Ø 10mm rods with beveled tip
- Can be cut to size
- Use with astragal mortise lock (6-C7250-19-0-0)
- For panels up to 117 in, we recommend using rod 9-U1010-00-0-3 for the bottom of the door panel. The center of AML will be 1280mm from the bottom of the door panel
- For 10 ft panels (between 117 in and 121 in), use rod 9-U1015-00-0-3 for the bottom rod and cut at 1300mm. The center of AML will be 1380mm from the bottom of the door panel
- For the top rod length, measure the center of the AML to the top of the door panel and subtract 80mm. You may have to recut the rod to fit your door height

Faceplate

Astragal Mortise Lock Faceplate Covers



Mortise Lock Faceplate Cover

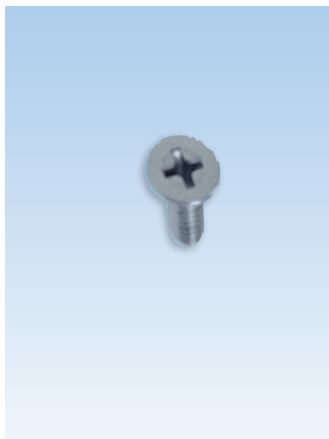
Description	Color	PU	Part Number
Faceplate for Mortise Lock	Dark Bronze PC	50	6-C7260-00-0-5
	Black PC	50	6-C7260-00-0-6
	Stainless Steel	50	6-C7260-00-0-8B

* = Color PU = Packaging Unit



Additional information

- 20mm Faceplate cover made of stainless steel 304
- Use with astragal mortise lock (6-C7250-19-0-0)
- Supplied with installation screws

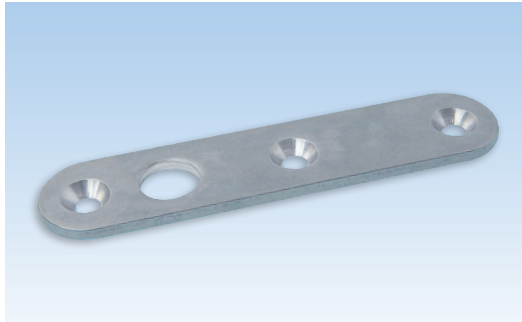


Faceplate screws

Description	Color	PU	Part Number
M5 x10 mm Screw	Dark Bronze PC	1000	9-C5129-10-0-5
	Black PC	1000	9-C5129-10-0-6
	Stainless Steel	1000	9-C5129-10-0-8B

* = Color PU = Packaging Unit



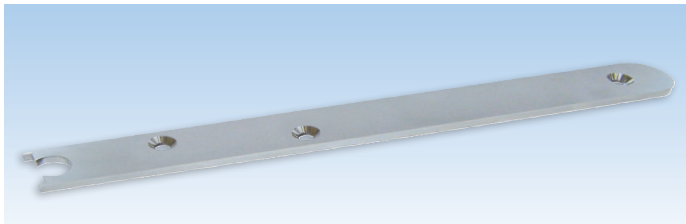


Reinforcement strip and guide for top and bottom door edges

Description	Color	PU	Part Number
Guide	SS	1	9-C4310-00-0-8B
* = Color		PU = Packaging Unit	

Additional information

- Made of stainless steel
- Reinforces the shoot bolts for higher performance
- No fastening screws included
- 82.5mm x 18.5mm

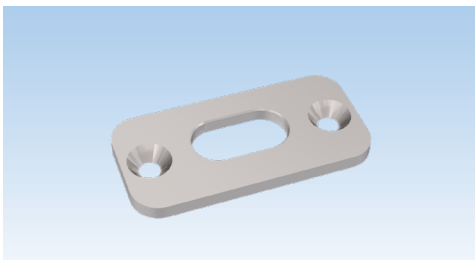


Reinforcing Strip 20mm

Description	Color	PU	Part Number
Reinforcing strip for shoot bolts	Stainless Steel	1	9-C4316-00-0-8B
* = Color		PU = Packaging Unit	

Additional information

- Made of stainless steel
- Reinforced the edges of shoot bolts for higher performance
- No fastening screws included
- 200mm x 20mm



AML keeper

Description	Color	PU	Part Number
Keeper 52mm	Stainless Steel	1	9-C4308-00-K-8B
* = Color		PU = Packaging Unit	

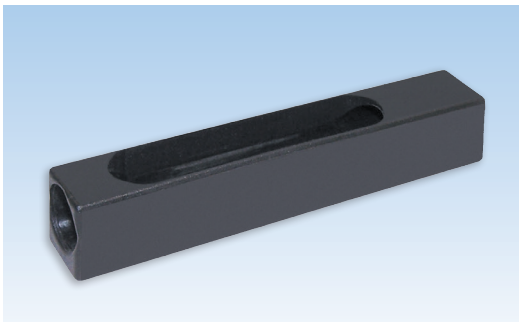


Fastening Screws

Description	Color	PU	Part Number
D1 screws	Stainless Steel	1000	9-C5362-32-0-8
* = Color		PU = Packaging Unit	

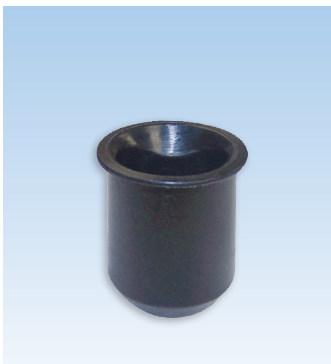
Additional information

- Stainless steel lock fastening screws 32mm
- Type D1 with self-drilling spiral point and high duplex thread with “Quadrex” socket
- Sharp tip for quick drive



AML Guide for Top and Bottom round rods and shootbolt

Description	Color	PU	Part Number
Guide	Black	1	9-C0540-00-0-0
* = Color		PU = Packaging Unit	



Adjustable Strike Cups 22mm and 27mm Deep

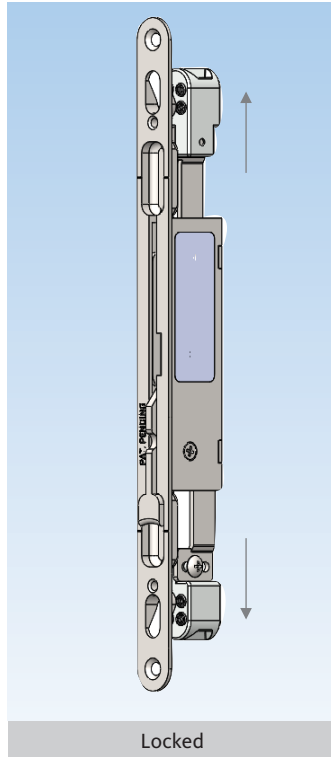
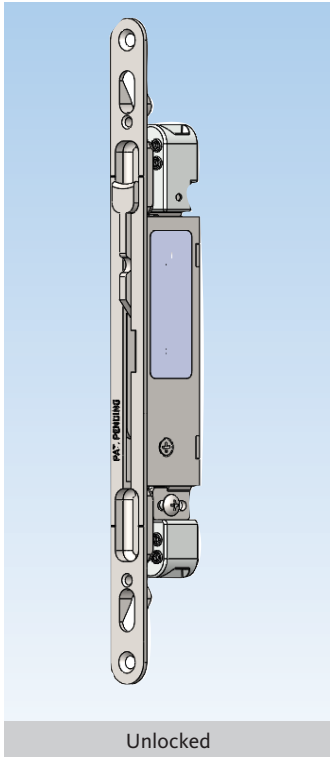
Description	Color	PU	Part Number
22mm sleeve for shoot bolts	Black	100	9-C4306-22-0-0
27mm sleeve for shoot bolts	Black	100	9-C4306-27-0-0
* = Color		PU = Packaging Unit	

Additional information

- Made of reinforced nylon
- In and out adjustment of 1mm
- Allows a lateral adjustment of ± 2.8 mm
- Possible pull in of 5mm
- For \varnothing 10mm round shootbolts

AMLOC Astragal Mortise Lock Off-Center

With off-centered drive rods



Astragal Mortise Lock with Off-centered drive rods

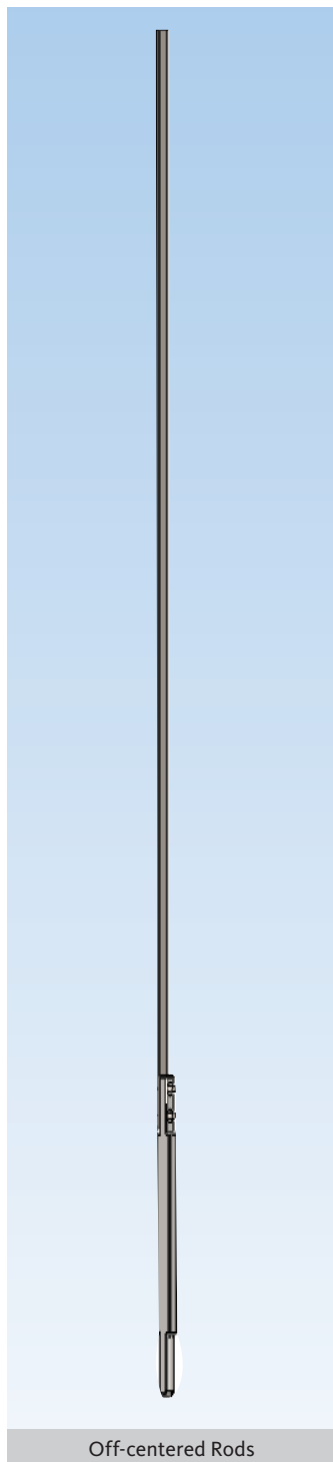
Description	Color	PU	Part Number
AMLOC	Zinc	10	6-C7252-19-0-0
* = Color		PU = Packaging Unit	

Additional information

- Used on the inactive panel of double doors
- Shoot extends to 25mm (adjustable by reducing rod length)
- Non-handed mechanism
- 20mm faceplate cover with radius end
- Self-adjusting drive rod connectors for astragal 12.7mm to 28mm
- Use with off-centered rods
- Can be used with one depth (See installation drawing D-2017-002-01)
- Fastening screws are not included.
Fastening screws can be fastened through the AMLOC into the door slab

Driving Rods

for Off-Centered Mortise Lock



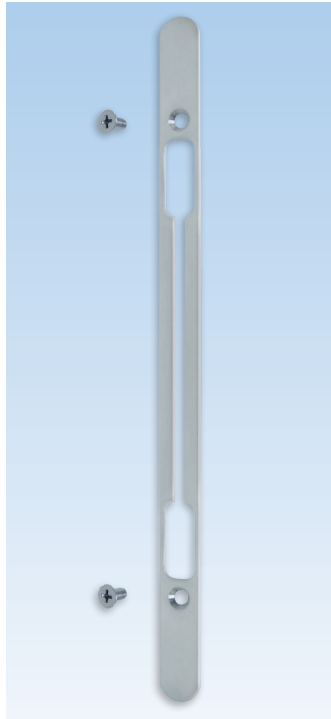
Rods for AMLOC			
Description	Color	PU	Part Number
Top fixed rod size off-centered			
647mm (25 1/2") long for door slab 79"	SS	10	6-C4400-06-0-1
1053mm (41 1/2") long for door slab 95"	SS	10	6-C4400-10-0-1
Bottom rod off-centered			
1200mm (47 1/4") long for door slab 79" and 95"	SS	10	6-C4400-12-0-1
* = Color		PU = Packaging Unit	

Additional information

- 10mm shoot-bolts made of stainless steel
- Ø 10mm shoot-bolts with beveled tip
- Steel flat drive rods can be easily cut to size
- Use only with AMLOC (6-C7252-19-0-0)

Faceplate

Astragal Mortise lock faceplate covers



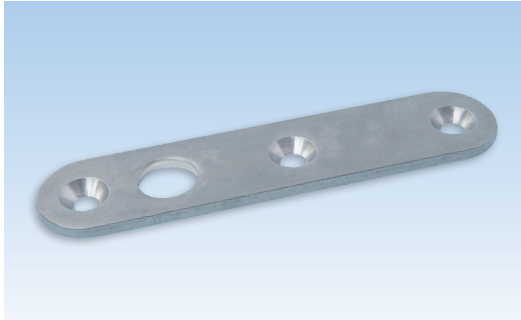
Mortise Lock Faceplate

Description	Color	PU	Part Number
Faceplate for Mortise Lock	Dark Bronze PC	50	6-C7260-00-0-5
	Black PC	50	6-C7260-00-0-6
	Stainless Steel	50	6-C7260-00-0-8B
* = Color		PU = Packaging Unit	



Additional information

- 20mm Faceplate cover made of stainless steel 304
- Use with astragal mortise lock (6-C7252-19-0-0)
- Supplied with installations screws

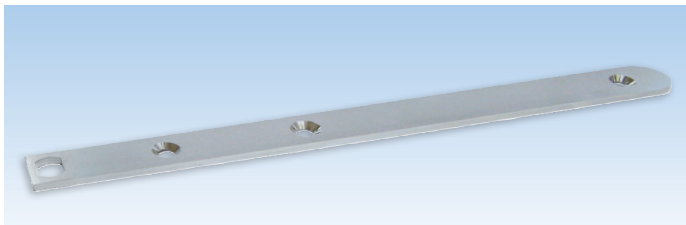


Reinforcement strip and guide for top and bottom door edges

Description	Color	PU	Part Number
Guide	SS	1	9-C4310-00-0-8B
* = Color		PU = Packaging Unit	

Additional information

- Made of stainless steel
- Reinforces the shoot bolts for higher performance
- No fastening screws included
- 82.5mm x 18.5mm

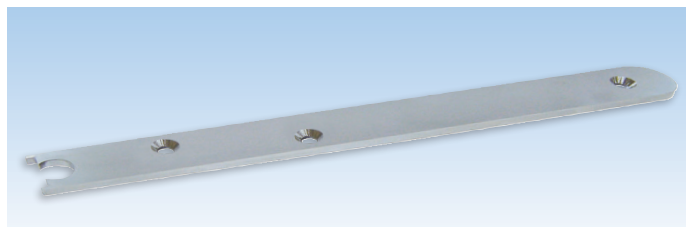


Reinforcing Strip 16mm

Description	Color	PU	Part Number
Reinforcing strip for shoot bolts	Stainless Steel	1	9-C4315-00-0-8B
* = Color		PU = Packaging Unit	

Additional information

- Made of stainless steel
- Reinforced the edges of shoot bolts for higher performance
- Recommended for PVC and aluminum
- No fastening screws included
- 200mm x 16mm



Reinforcing Strip 20mm

Description	Color	PU	Part Number
Reinforcing strip for shoot bolts	Stainless Steel	1	9-C4316-00-0-8B
* = Color		PU = Packaging Unit	

Additional information

- Made of stainless steel
- Reinforced the edges of shoot bolts for higher performance
- Recommended for timber
- No fastening screws included
- 200mm x 20mm

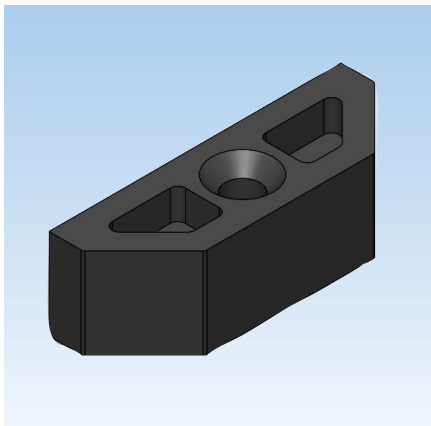


Fastening Screws

Description	Color	PU	Part Number
D1 screws	Stainless Steel	1000	9-C5362-32-0-8
* = Color		PU = Packaging Unit	

Additional information

- Stainless steel lock fastening screws 32mm
- Type D1 with self-drilling spiral point and high duplex thread with “Quadrex” socket
- Sharp tip for quick drive

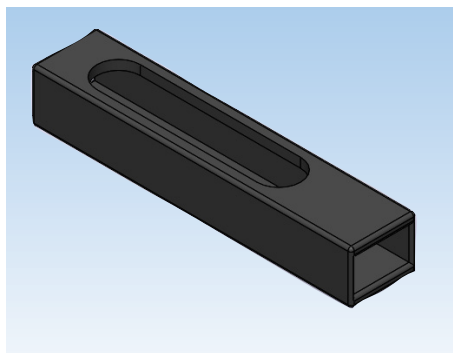


AMLOC Middle Guide for Drive Rods

Description	Color	PU	Part Number
Middle Guide	Black	1	9-C0550-00-0-6
* = Color		PU = Packaging Unit	

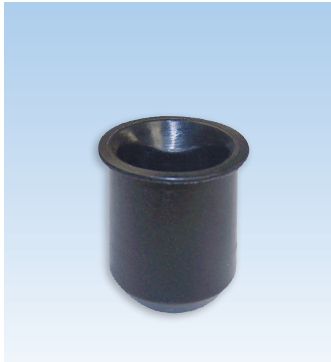
Additional information

- Will support and guide flat drive rod



AMLOC Guide for Top and Bottom stainless 10 mm shoot-bolts

Description	Color	PU	Part Number
Guide	Black	1	9-C0541-00-0-6
* = Color		PU = Packaging Unit	

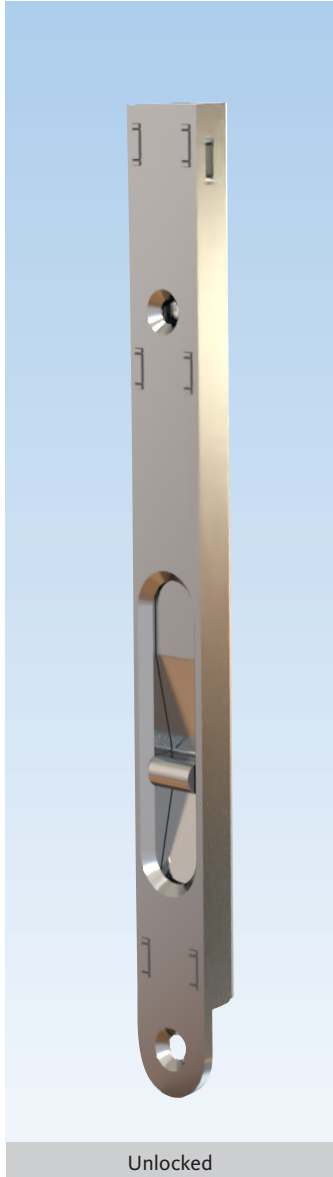


Adjustable Strike Cups 22 and 27mm Deep

Description	Color	PU	Part Number
22mm sleeve for shoot bolts	Black	100	9-C4306-22-0-0
27mm sleeve for shoot bolts	Black	100	9-C4306-27-0-0
* = Color		PU = Packaging Unit	

Additional information

- Made of reinforced nylon
- In and out adjustment of 1mm
- Allows a lateral adjustment of ± 2.8 mm
- Possible pull in of 5mm
- For \varnothing 10mm round shootbolts

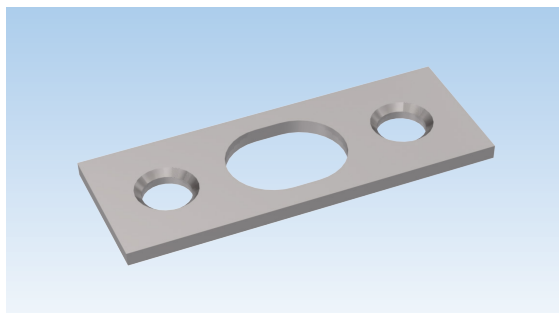


Flush Bolt

Description	Color	PU	Part Number
Spring Shoot Bolt 200 x 20mm	Zinc	100	6-C4308-20-0-1
Spring Shoot Bolt 200 x 20mm	Black	100	6-C4308-20-0-6
* = Color		PU = Packaging Unit	

Additional information

- Used on the inactive panel of double doors
- Shoot projection 16.5mm
- Zinc plated steel
- Easy operation with slider button
- Leaf spring secures lock at locked position
- Dimensions : 200mm x 20mm x 12,5mm
- Refer to installation drawing "D-2019-011-01"



Shoot bolt Strike plate

Description	Color	PU	Part Number
Strike plate	Stainless Steel	100	6-UK2212-AB-0-SS
* = Color		PU = Packaging Unit	

Wood Mount Display

for Astragal Mortise Lock

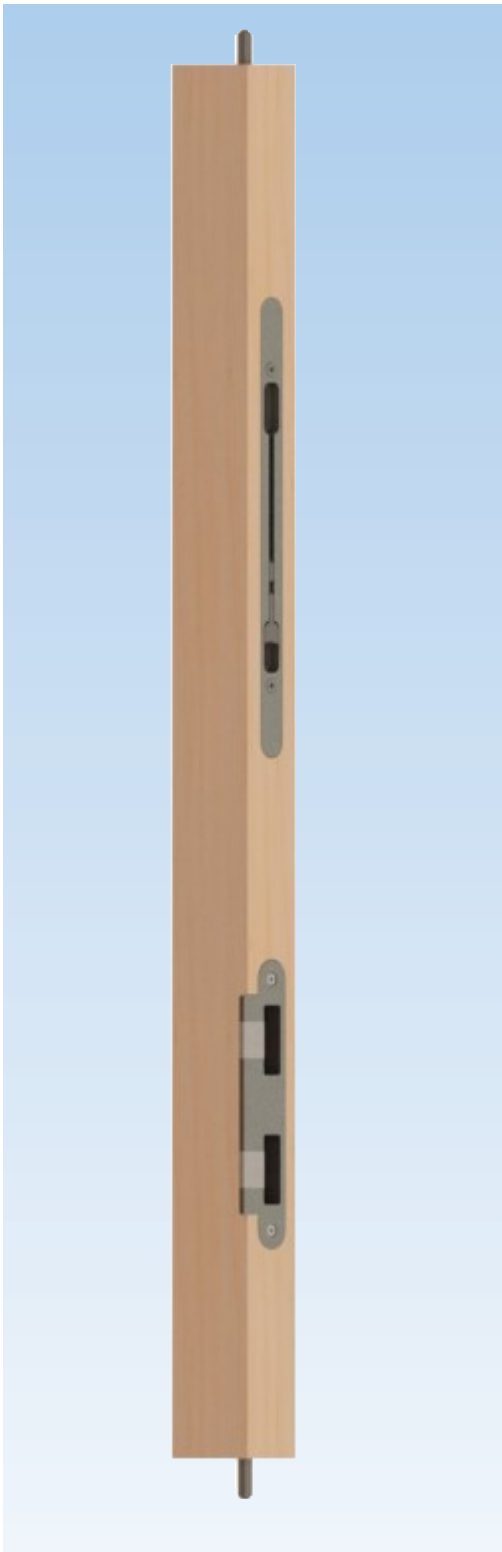


Wood Mount Display with Astragal Mortise Lock

Description	PU	Part Number
AML Wood mount display	1	6-C9620-00-0-9
* = Color	PU = Packaging Unit	

Wood Mount Display

for Off-Centered Astragal Mortise Lock



Wood Mount Display with Off-centered Astragal Mortise Lock

Description	PU	Part Number
AMLOC Wood mount display	1	6-C9620-01-0-9
* = Color		PU = Packaging Unit



WINDOW TECHNOLOGY
DOOR TECHNOLOGY
AUTOMATIC ENTRANCE SYSTEMS
BUILDING MANAGEMENT SYSTEMS

QUÉBEC / MARITIMES

Ferco Ferrures de Bâtiment Inc.
2000, Rue Berlier
Laval, QC H7L 4S4
Canada

T 450 973-1437
1 800 355-8810
F 450 973-7661
ferco@ferco.ca

ONTARIO / WESTERN PROVINCES

Ferco Architectural Hardware Inc.
T 905 282-9588
1 800 668-5310
F 905 282-9915

UNITED STATES

Ferco Architectural Hardware Inc.
T 1 800 927-1097
F 1 888 454-0161

www.ferco.ca

Edition 01.2022 | Printed in Canada

Securing technology for you

