



DEFENDER CAVITY FIT RESTRICTOR

TYPE

STANDARD DUTY RESTRICTOR

BENEFIT

The ultimate solution to resident safety

- Tested to BS 6375-2 to load bearing capacity of safety devices
- Austenitic 304* stainless steel for enhanced corrosion resistance
- Compatible with all Securistyle standard duty hinges including the Defender Egress Easy Clean
- 12 year guarantee (details available upon request)

12
YEAR GUARANTEE



▲ RESTRICTOR mechanism limits maximum opening



▲ CAVITY LOCATOR PIN for each standard

austenitic
304



Manufactured in the UK

Securistyle

Kingsmead Industrial Estate, Princess Elizabeth Way
Cheltenham, Gloucestershire GL51 7RE, UK

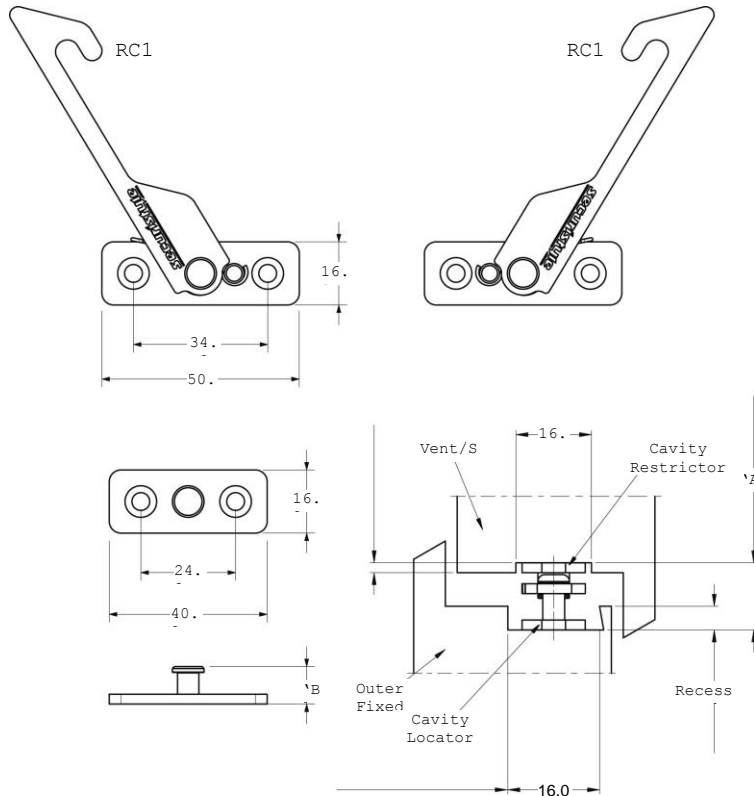
Tel: +44 (0) 1242 221200

Fax: +44 (0) 1242 228194/520828

E-mail: info@securistyle.co.uk
Website: www.securistyle.co.uk



PRODUCT SPECIFICATIONS



12
YEAR GUARANTEE

| Part Codes | Description | Cavity Size (Dim 'A') | Pin Height (Dim. 'B') | Boxed Quantity |
|------------|----------------------------|-----------------------|-----------------------|----------------|
| SC1 | 13mm Locator Pin | 13-14mm | 9.5mm | 25 |
| SC2 | 16mm Locator Pin | 16-17mm | 13.5mm | 25 |
| SC3 | 17mm Locator Pin | 17-18mm | 14.5mm | 25 |
| SC4 | 13mm Locator Pin | 13-14mm | 11.5mm | 25 |
| RC1L | Cavity Restrictor LH 66mm | -- | -- | 25 |
| RC1R | Cavity Restrictor RH 66mm | -- | -- | 25 |
| RC2L | Cavity Restrictor LH 116mm | -- | -- | 25 |
| RC2R | Cavity Restrictor RH 116mm | -- | -- | 25 |
| RC3L | Cavity Restrictor LH 166mm | -- | -- | 25 |
| RC3R | Cavity Restrictor RH 166mm | -- | -- | 25 |

austenitic
304

PRODUCT SPECIFICATION

- Easy to fit with no routing required
- Compatible with standard countersunk fixings
- Can be used on windows without reinforcement
- Available in 13mm, 16mm and 17mm cavity heights
- Left and right hand product available
- Compatible with Securistyle 16mm stack height commercial hinges: Sterling & Storm Balanced



BS EN ISO9001
Cert No. FM

Due to our policy of continual improvement we reserve the right to alter specifications without notice. It is the responsibility of the window manufacturer to ensure that the finished window meets the required performance and safety specification.

Ref: CFRSD

Securistyle

Kingsmead Industrial Estate, Princess Elizabeth Way
Cheltenham, Gloucestershire GL51 7RE, UK

Rev 4 – Dec 2017 - ©

Tel: +44 (0) 1242 221200

Fax: +44 (0) 1242 228194/520828

E-mail: info@securistyle.co.uk
Website: www.securistyle.co.uk