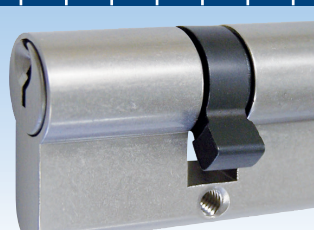




DOOR TECHNOLOGY – ORDER CATALOG | SECTION 03.12



SECURY Automatic European Profile Cylinder Locks



Securing technology for you





03.12

SECURY Automatic – European Profile Cylinder Door Locks

SECURY Automatic European Profile Cylinder Door Locks..	03.12.3
Automatic Extension	03.12.4
Filler pieces	03.12.5
EURO Mortise Door Lock.....	03.12.6
Push-Pull Handles	03.12.7
BELCANTO & VENTO Handles and PZ Rosettes	03.12.10
PZ Cylinder	03.12.16
Smart locks	03.12.17
Euro Profile Cylinder for smart locks	03.12.
Strike Plates	03.12.21
Accessories	03.12.24
Wood Mount Display with Pull Bar	03.12.29

SECURY Automatic – European Profile Cylinder Locks

with European profile cylinder



Unlocked



Locked

SECURY Automatic European Profile Cylinder Door Lock

Description	Backset	Color	PU	Part Number
Door lock for 6' 8" doors	35mm	SS	5	6-40526-01-R-8B
Door lock for 8' doors	35mm	SS	5	6-40526-02-R-8B
Door lock for 6' 8" doors	45mm	SS	5	6-40526-03-R-8B
Door lock for 8' doors	45mm	SS	5	6-40526-04-R-8B
Door lock for 6' 8" doors	55mm	SS	5	6-40526-05-R-8B
Door lock for 8' doors	55mm	SS	5	6-40526-06-R-8B
Door lock for 6' 8" doors	65mm	SS	5	6-40526-07-R-8B
Door lock for 8' doors	65mm	SS	5	6-40526-08-R-8B

PU = Packaging Unit

Simply Close the Door!

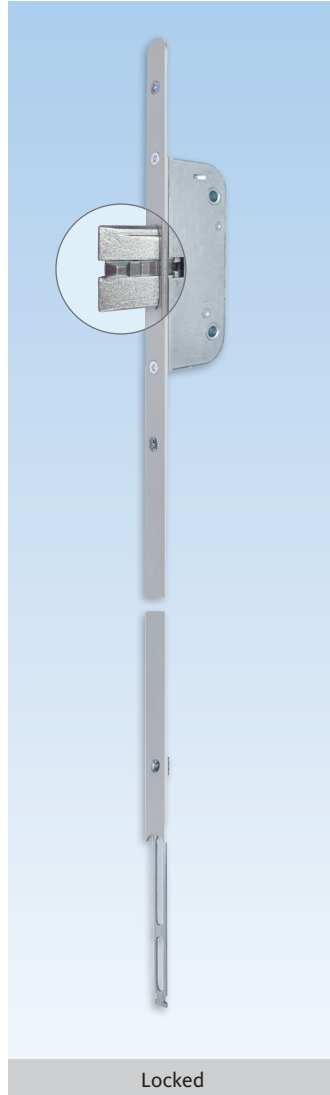
As soon as the door is pulled shut, the Automatic latchbolts instantly throw 20mm and are secured to prevent them from being forced back. By turning the key or the knob, the center deadbolt will engage and lock the top and bottom latchbolts to become a **3-deadbolt locking system**.

Additional information

- 3-point, one piece locking system for 6' 8" and 8' doors
- Heavy duty mortise construction with reinforced lever return spring system
- Locking by PZ cylinder with 180° turn of key or thumb-turn
- Unlocking with 180° turn to retract the deadbolt and another 180° turn to retract the latches
- No lifting of handle to engage locking points
- Top and bottom Automatic latchbolt projection from 10 to 20mm:
 - Provides security
 - Protects the door
- 3/4" (20mm) throw on deadbolt
- Non handed, latch easily reversible
- 8mm square spindle
- 92mm centres (spindle to cylinder)
- 16mm stainless steel faceplate with radius ends for easy installation and cleaner look
- Same hardware groove detail throughout our entire door lock program (jig, router base and bits available)
- Extensions with additional lock point are available for doors taller than 8'
- 360° turn with profile cylinders

Automatic Extension

with Additional Latchbolt - Rounded End



Extension with Additional Latchbolt

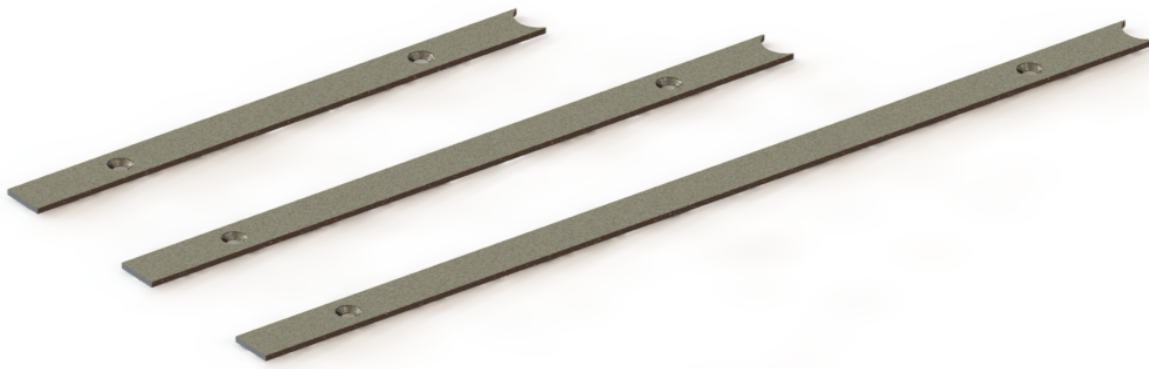
Description	Color	PU	Part Number
525mm extension with rounded end	Stainless Steel	5	6-33479-04-0-8B
800mm extension with rounded end	Stainless Steel	1	6-C5078-00-0-8B
1050mm extension with rounded end	Stainless Steel	1	6-C5062-10-0-8B
1325mm extension with rounded end	Stainless Steel	1	6-C5062-13-0-8B
* = Color		PU = Packaging Unit	

Additional information

- Tapered latch always engaging in strike plate
- 16mm stainless steel faceplate with radius end for easy installation and cleaner look
- Additional locking point for doors taller than 8'
- To be used with GU-SECURY Automatic door Locks

Filler pieces

Round to square



Filler Pieces Round to square

Description	PU	Part Number
Filler piece 193,7mm x 16 mm	1	9-C4340-19-0-8B
Filler piece 245,9 mm x 16 mm	1	9-C4342-24-0-8B
Filler piece 342,3 mm x 16 mm	1	9-C4342-34-0-8B

Additional information

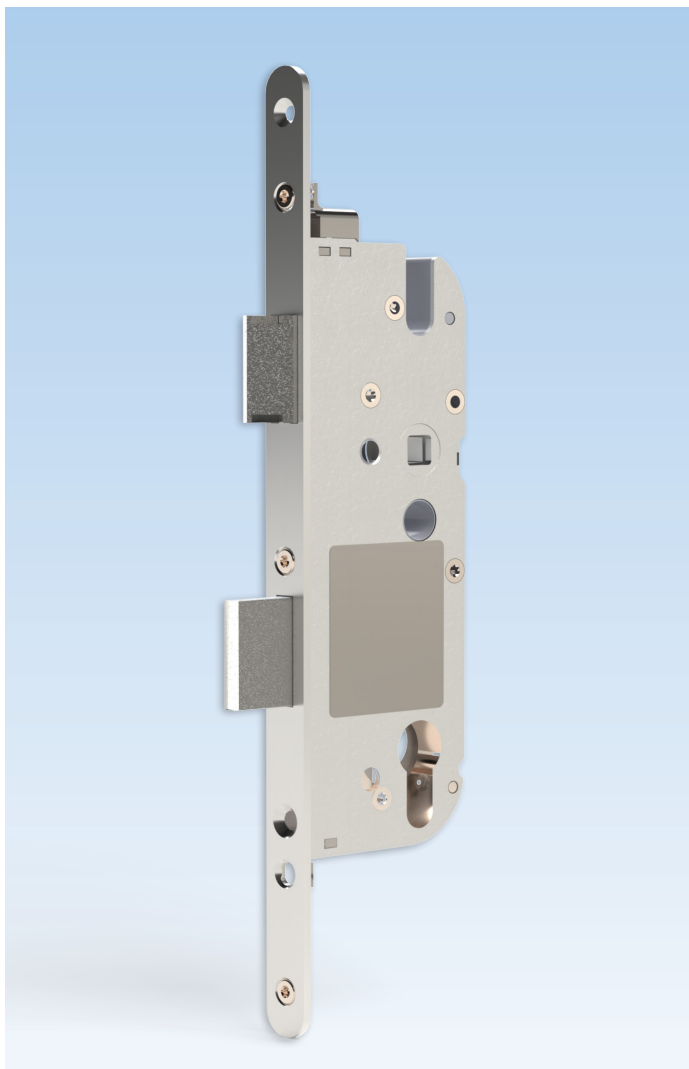
- Made of stainless steel
- To be used with radius end locks and extensions

Formulas to select filler length:

- Bottom:
L = Handle height - 720,7mm
- Top 1590mm lock:
L = Door height - handle height - extension(s) length - 871,7mm
- Top 1900mm lock:
L = Door height - handle height - extension(s) length - 1181,7mm

EURO Mortise Door Lock

with Latch and Deadbolt



EURO Mortise Door Lock

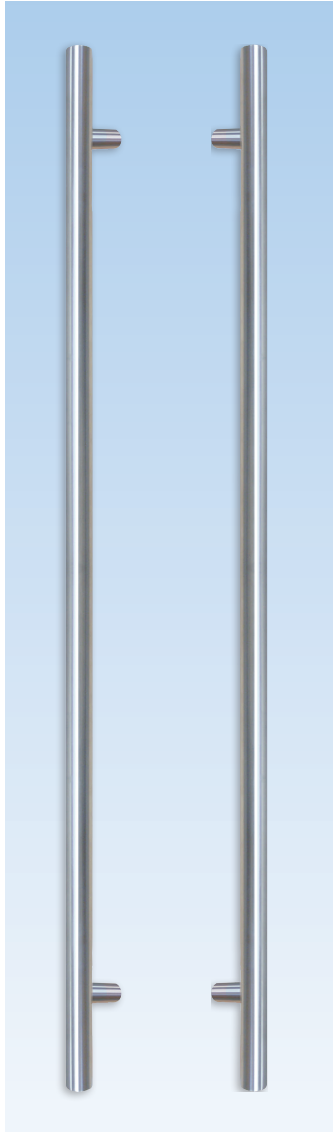
Description	Color	PU	Part Number
Door lock with 35mm backset	Stainless Steel	10	6-C4881-35-R-8B
Door lock with 45mm backset	Stainless Steel	10	6-C4881-45-R-8B
Door lock with 55mm backset	Stainless Steel	10	6-C4881-55-R-8B
Door lock with 65mm backset	Stainless Steel	10	6-C4881-65-R-8B
PU = Packaging Unit			

Additional information

- Heavy duty mortise construction with reinforced lever return spring system
- Locking by PZ cylinder with 180° turn of key or thumb-turn
- Unlocking with 180° turn to retract the deadbolt and another 180° turn to retract the latches
- 3/4" (20mm) throw on deadbolt
- Non handed, latch easily reversible
- 8mm square spindle
- 92mm centres (spindle to cylinder)
- 16mm stainless steel faceplate with radius ends for easy installation and cleaner look
- Same hardware groove detail throughout our entire door lock program (jig, router base and bits available)
- Ideal for exterior and interior door applications
- To be used with lever handle set (PZ cylinder below handle)

Push-Pull Handle

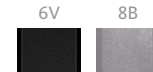
Contemporary Round



Rounded Straight Handle

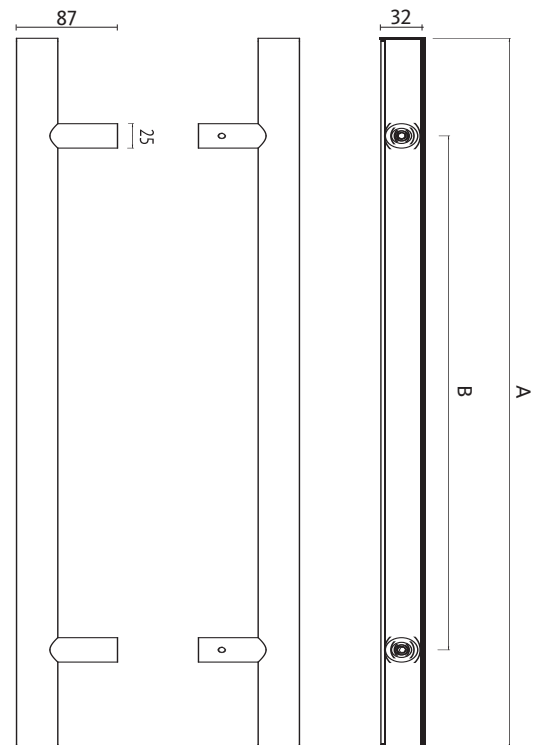
Description	PU	Part Number
Double pull bars Length (A) = 1200mm Fixing centers (B) = 1000mm	1	K-C0341-12-P-*
Double pull bars Length (A) = 1800mm Fixing centers (B) = 1400mm	1	K-C0341-18-P-*
* = Color		PU = Packaging Unit

8B = Stainless Steel, 6V = Matte Black



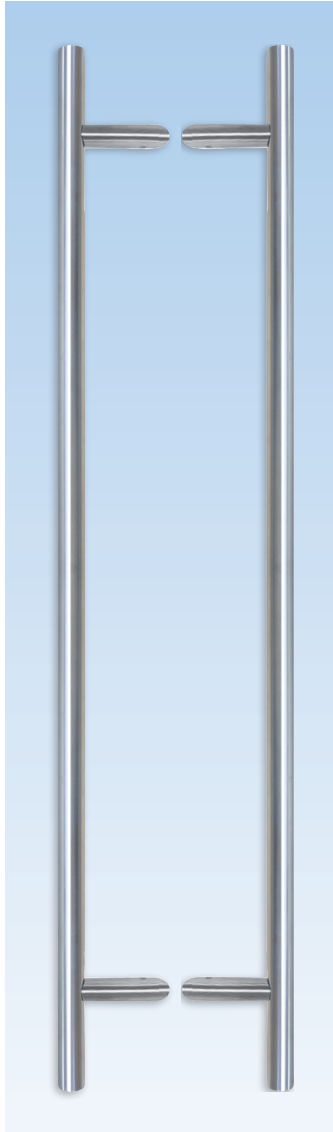
Additional information

- Made of stainless steel 304
- Fastening kit included with M8 screws for 1 3/4" up to 3 3/4" doors
- Bushing included in the kit



Push-Pull Angle Handle

Contemporary Round



Rounded 45° Offset Handles

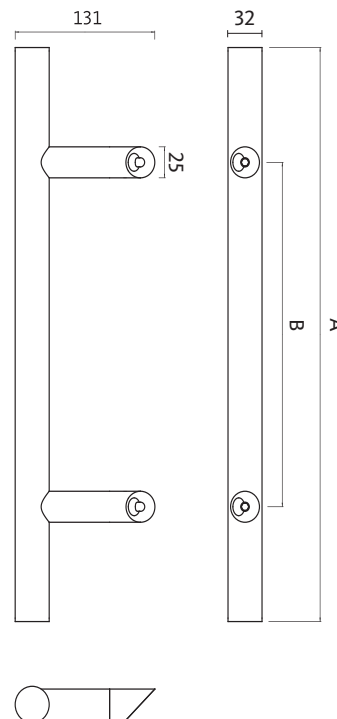
Description	PU	Part Number
Double pull bars Length (A) = 1200mm Fixing centers (B) = 1000mm	1	K-C0343-12-P-*
Double pull bars Length (A) = 1800mm Fixing centers (B) = 1400mm	1	K-C0343-18-P-*
* = Color		PU = Packaging Unit

8B = Stainless Steel, 6V = Matte Black



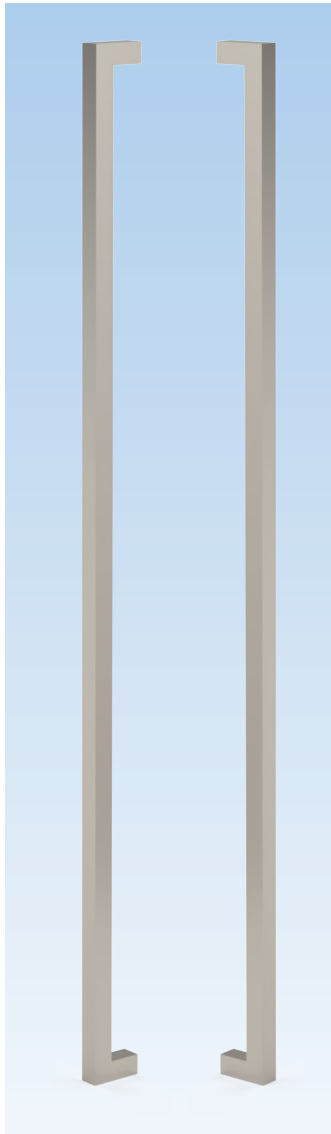
Additional information

- Made of stainless steel 304
- Gives more clearance to the door jamb
- Fastening kit included with M8 screws for 1 3/4" up to 3 3/4" doors
- Bushing included in the kit



Push-Pull Angle Handle

Contemporary Square



Square Straight Handle

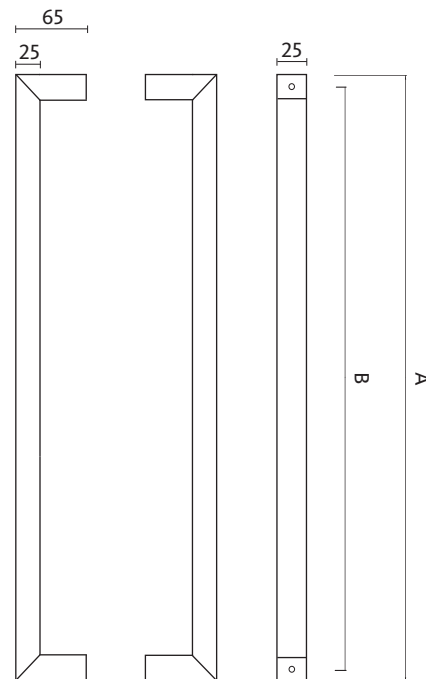
Description	PU	Part Number
Double pull bars Length (A) = 1200mm Fixing centers (B) = 1175mm	1	K-C0346-12-P-*
Double pull bars Length (A) = 1800mm Fixing centers (B) = 1775mm	1	K-C0346-18-P-*
* = Color		PU = Packaging Unit

8B = Stainless Steel, 6V = Matte Black



Additional information

- Made of stainless steel 316
- Fastening kit included with M8 screws for 1 3/4" up to 3 3/4" doors
- Bushing included in the kit





Round Rosettes

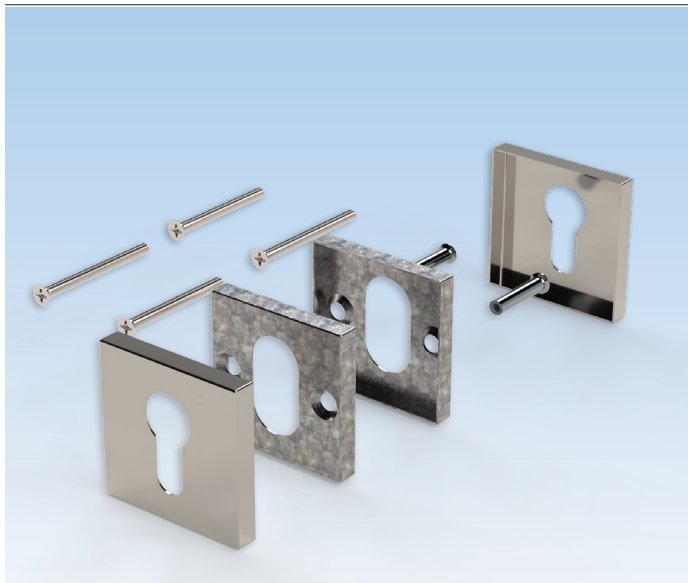
Description	PU	Part Number
Rosettes for european profile cylinder	1	K-C9075-00-0-*
* = Color		PU = Packaging Unit

8B = Stainless Steel, 6V = Matte Black



Additional information

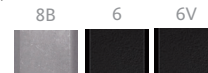
- Rosettes made of stainless steel
- Compatible with smart lock TEDEE Pro
- Fastening kit included for 1 3/4" & 2 1/4" doors
- For 1 3/4" doors : use 64mm cylinder (6-U7401-64-0-*)
- For 2 1/4" doors : use 80mm cylinder (6-U7401-80-0-*)
- For 2 3/4" doors : cut to length 70mm screws (9-C0570-70-0-1) and 90mm cylinder (6-U7401-90-0-*)
- For 3" or more: cut to length 90mm screws (9-C0570-90-0-1) and 100mm cylinder (6-U7401-00-0-*)
- External Ø 53 mm x 7.5 mm



Square Rosettes

Description	PU	Part Number
Rosettes for profile cylinder	1	K-C9077-00-0-*
* = Color		PU = Packaging Unit

8B = Stainless Steel, 6 = Black, 6V = Matte Black



Additional information

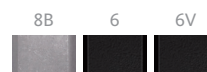
- Rosettes 7.5 mm made of stainless steel
- Compatible with smart lock TEDEE Pro
- Fastening kit included for 1 3/4" and 2 1/4" doors
- For 1 3/4" doors : use 64mm cylinder (6-U7401-64-0-*)
- For 2 1/4" doors : use 80mm cylinder (6-U7401-80-0-*)
- For 2 3/4" doors : use 90mm cylinder (6-U7401-90-0-*)
- For 3" or more: cut to length 90mm screws (9-C0570-90-0-1) and 100mm cylinder (6-U7401-00-0-*)



BELCANTO Handle Set

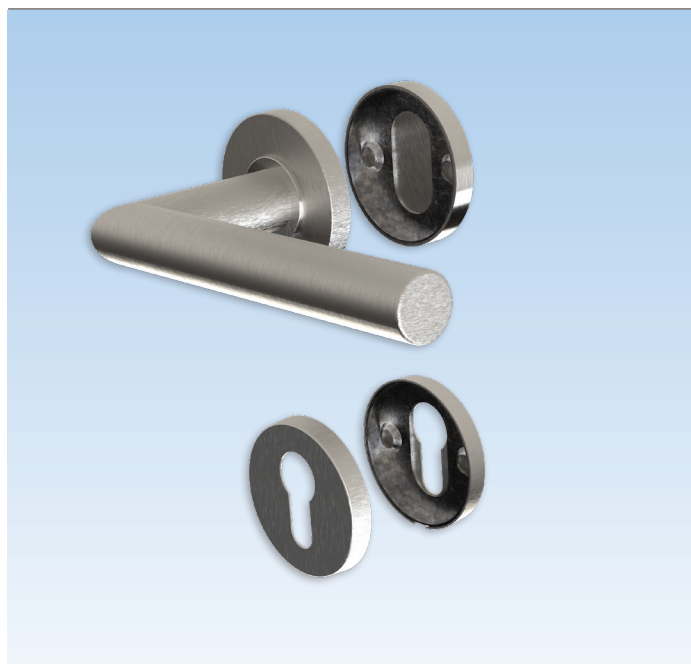
Description	PU	Part Number
Kit of inside and outside handles	1	K-C9071-00-0-*
* = Color		PU = Packaging Unit

8B = Stainless Steel, 6= Black , 6V = Matte Black



Additional information

- Handles and 7.5 mm Rosettes made of stainless steel
- Compatible with smart lock TEDEE Pro
- Fastening kit included for 1 3/4" & 2 1/4" doors
- Fixed lever spring loaded - can't be lifted
- 8mm square spindle x 110mm included
- Concealed fixing screws
- For doors 2 1/4" - 3" use screws 70mm (9-C0570-70-0-1) & 130mm spindle (9-U8100-30-0-8)
- For doors 3" or more use screws 90mm (9-C0570-90-0-1) & 130mm spindle (9-U8100-30-0-8)



BELCANTO Half Handle Set and Rosettes

Description	PU	Part Number
Kit of inside handle with rosette and PZ rosette with outside blind rosette and PZ rosette	1	K-C9073-00-R/L-*
*=Color		PU = Packaging Unit

8=Stainless Steel, 6=Black, 6V=Matte Balck



Additional information

- Handles and Rosettes made of stainless steel
- Compatible with smart lock TEDEE Pro
- Fastening kit included for 1 3/4" & 2 1/4" doors
- 8mm square spindle x 70 mm
- 1 allen key 3mm
- Concealed fixing screws
- For 1 3/4" doors : use 64mm cylinder (6-U7401-64-0-*)
- For 2 1/4" doors : use 80mm cylinder (6-U7401-80-0-*)
- For 2 3/4" doors : cut to length 70mm screws (9-C0570-70-0-1) and 90mm cylinder (6-U7401-90-0-*)
- For doors 3" or more use screws 90mm (9-C0570-90-0-1) & 100mm cylinder (6-U7401-00-0-*)
- External Ø 53 mm x 7.5 mm

BELCANTO Handles & PZ Rosettes

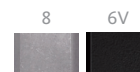
for Door Lock



BKS BELCANTO Handle Set

Description	PU	Part Number
Kit of inside and outside handles	1	K-C9070-00-0-*
* = Color		PU = Packaging Unit

8 = Stainless Steel, 6V= Matte Black

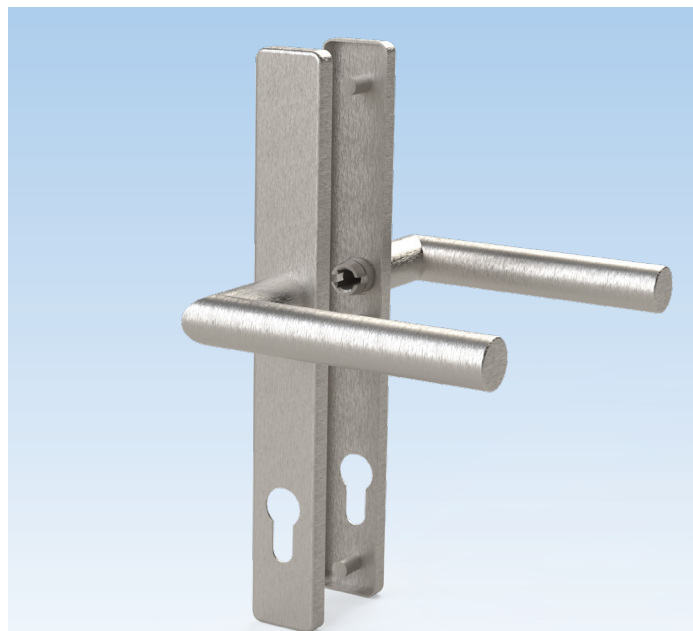


Additional information

- Handles and 9mm Rosettes made of stainless steel
- Compatible with smart lock TEDEE Pro
- Fastening kit included for 1 3/4" and 2 1/4" doors
- Fixed lever spring loaded - can't be lifted
- 8mm square spindle x 110mm included
- 8mm square spindle x 115mm included
- Concealed fixing screws
- For doors 1 3/4" use 70mm cylinder (6-U7401-70-0-*)
- For doors 2 1/4" use 80mm cylinder (6-U7401-80-0-*)
- For doors 3" use screws 90mm (9-C0570-90-0-1), 130mm spindle (9-U8100-30-0-8) and 100mm cylinder (6-U7401-00-0-*)

BELCANTO Handles & PZ Rosettes

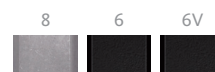
for Door Lock



BKS BELCANTO Handle Set

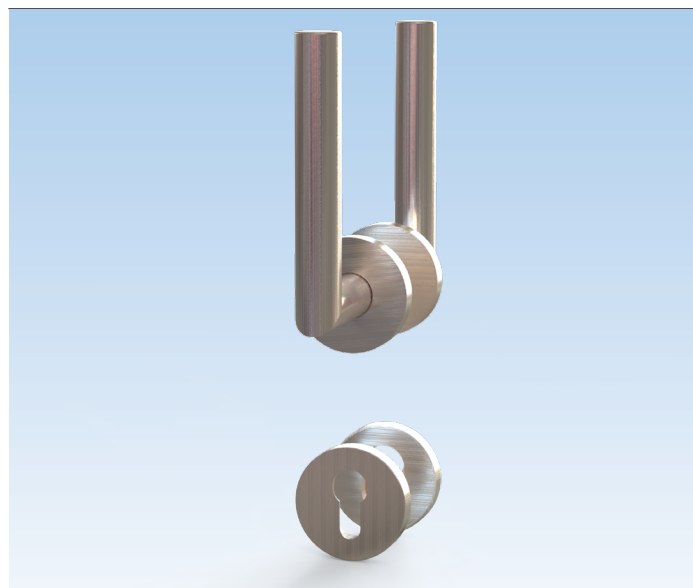
Description	PU	Part Number
Kit of inside and outside handles	1	K-C9080-00-0-*
* = Color		PU = Packaging Unit

8 = Stainless Steel, 6 = Black, 6V = Matte Black



Additional information

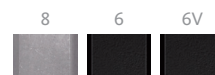
- Handles and 9mm rosettes made of stainless steel
- Compatible with smart lock TEDEE Pro
- Fastening kit included for 1 3/4" and 2 1/4" doors
- Fixed lever spring loaded - can't be lifted
- 8mm square spindle
- Concealed fixing screws
- For doors 1 3/4" use 70mm cylinder (6-U7401-70-0-*)
- For doors 2 1/4" use 80mm cylinder (6-U7401-80-0-*)
- For doors 3" or +, cut to length 90mm screws (9-C0570-90-0-1), 130mm spindle (9-U8100-30-0-8) & 100mm cylinder (6-U7401-00-0-*)



BKS BELCANTO vertical Handle Set

Description	PU	Part Number
Kit of inside and outside handles	1	K-C9070-0M-0-*
* = Color		PU = Packaging Unit

8 = Stainless Steel, 6 = Black, 6V = Matte Black



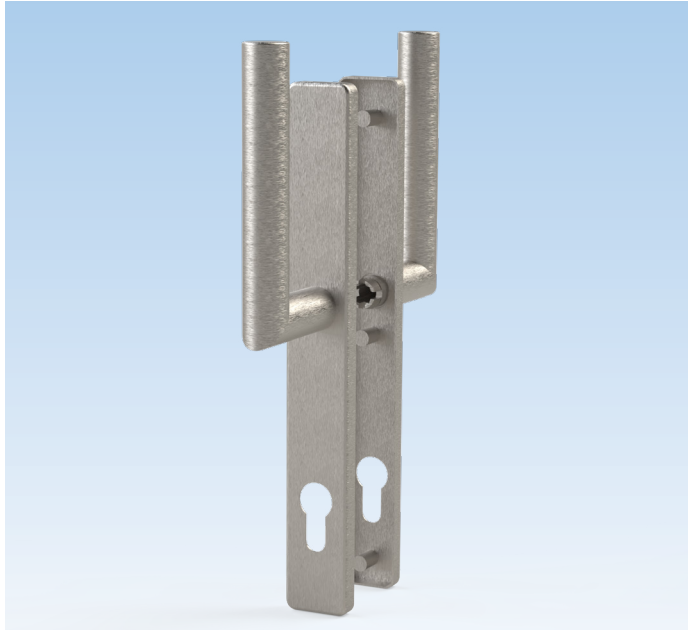
Additional information

- Handles and 9mm rosettes made of stainless steel
- Fastening kit included for 1 3/4" and 2 1/4" doors
- Fixed lever spring loaded - can't be lifted
- 8mm square spindle x 110 mm included
- 8mm square spindle x 115 mm included
- Concealed fixing screws
- Compatible with smart lock TEDEE Pro
- For 1 3/4" doors : use 70mm cylinder (6-U7401-70-0-*)
- For 2 1/4" doors : use 80mm cylinder (6-U7401-80-0-*)
- For doors thicker than 2 1/4" up to 3" : cut to length 70mm screws (9-C0570-70-0-1) and 130mm spindle (9-U8100-30-0-8)



BELCANTO Handles & US Rosettes

for Door Lock



BELCANTO vertical Handle Set

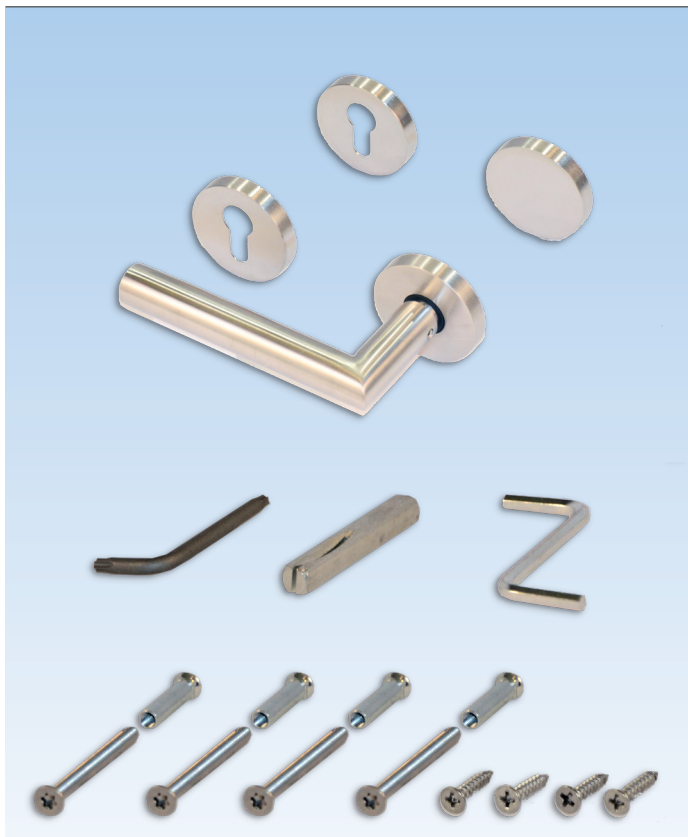
Description	PU	Part Number
Kit of inside and outside handles	1	K-C9080-0M-0-*
* = Color		PU = Packaging Unit

8 = Stainless Steel, 6 = Black, 6V = Matte Black



Additional information

- Handles and rosettes made of stainless steel
- Fastening kit included for 1 3/4" and 2 1/4" doors
- Fixed lever spring loaded - can't be lifted
- 8mm square spindle x 110mm
- Concealed fixing screws
- Compatible with smart lock TEDEE Pro
- For doors thicker than 2 1/4" up to 3" : cut to length 70mm screws (9-C0570-70-0-1), 130mm spindle (9-U8100-30-0-8) & 100mm cylinder (6-U7401-00-0-*)



BELCANTO Half Handle Set and Rosettes

Description	PU	Part Number
Kit of inside handle with rosette and PZ rosette with outside blind rosette and PZ rosette	1	K-C9072-00-0-*
*=Color		PU = Packaging Unit

8=Stainless Steel, 6=Black, 6V=Matte Black

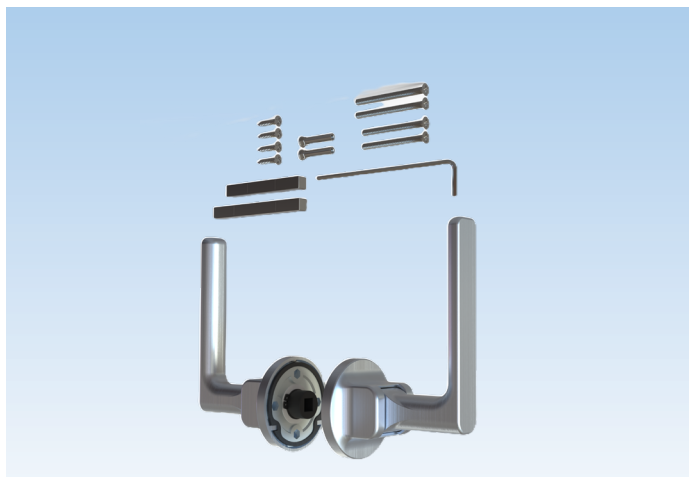


Additional information

- Handles and rosettes made of stainless steel
- Fastening kit included for 1 3/4" and 2 1/4" doors
- Fixed lever spring loaded - can't be lifted
- 8mm square spindle x 110mm included
- 8mm square spindle x 115mm included
- Concealed fixing screws
- Compatible with smart lock TEDEE Pro
- For 1 3/4" doors : use 70mm cylinder (6-U7401-70-0-*)
- For 2 1/4" doors : use 80mm cylinder (6-U7401-80-0-*)
- For doors 3" : cut to length 90mm screws (9-C0570-90-0-1) & 130mm spindle (9-U8100-30-0-8), 100mm cylinder (6-U7401-00-0-*)

VENTO Handles

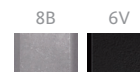
for Door Lock



VENTO Handle Set

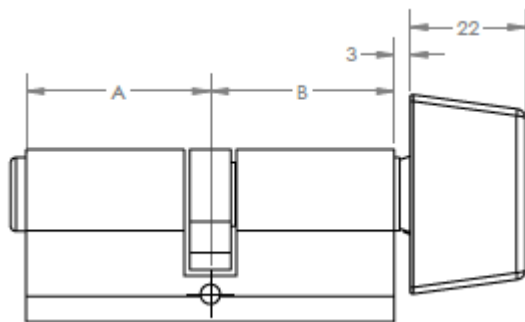
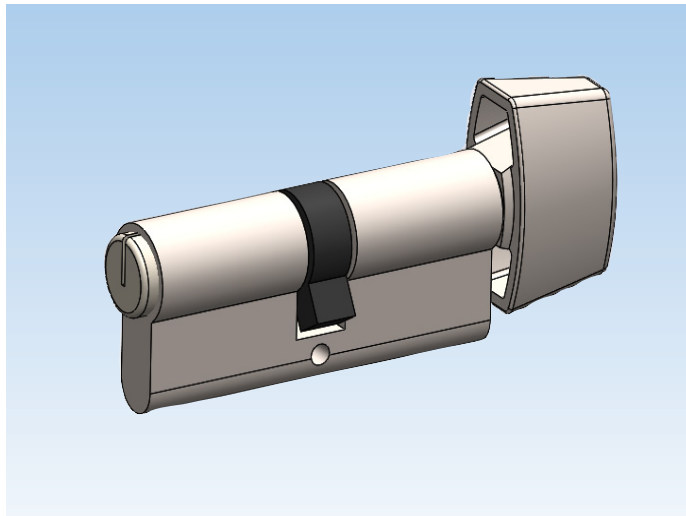
Description	PU	Part Number
Kit of inside and outside handles	1	K-C0360-00-0-*
		* = Color PU = Packaging Unit

8B = Stainless Steel, 6V = Matte Black



Additional information

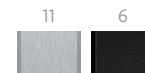
- Handles and Rosettes made of stainless steel
- Foam gasket
- 8mm square spindle x 65 mm included (for 1 3/4" doors)
- 8mm square spindle x 78 mm included (for 2 1/4" doors)
- Concealed fixing screws
- Compatible with smart lock TEDEE Pro
- Should be ordered with K-C0370-00-0-* - US rosette for N-A configuration



Profile cylinders

Description	A	B	PU	Part Number
32/32 Cylinder	32	32	1	6-U7401-64-0-*
35/35 Cylinder	35	35	1	6-U7401-70-0-*
40/40 Cylinder	40	40	1	6-U7401-80-0-*
45/45 Cylinder	45	45	1	6-U7401-90-0-*
50/50 Cylinder	50	50	1	6-U7401-00-0-*
Rekeying kit for Ferco Schlage keyway			1	K-C4332-00-0-0
* = Color			PU = Packaging Unit	

11 = Satin Nickel, 6 = Black



Profile Cylinders - Other finishes

Description	A	B	PU	Part Number
32/32 Cylinder	32	32	1	6-U7401-64-0-6V
40/40 Cylinder	40	40	1	6-U7401-80-0-6V
* = Color			PU = Packaging Unit	

6V = Matte Black



Half Cylinders

Description	A	B	PU	Part Number
10/45 Cylinder Thumbturn	10	45	1	6-U7402-45-0-11
* = Color			PU = Packaging Unit	

11 = Satin Nickel

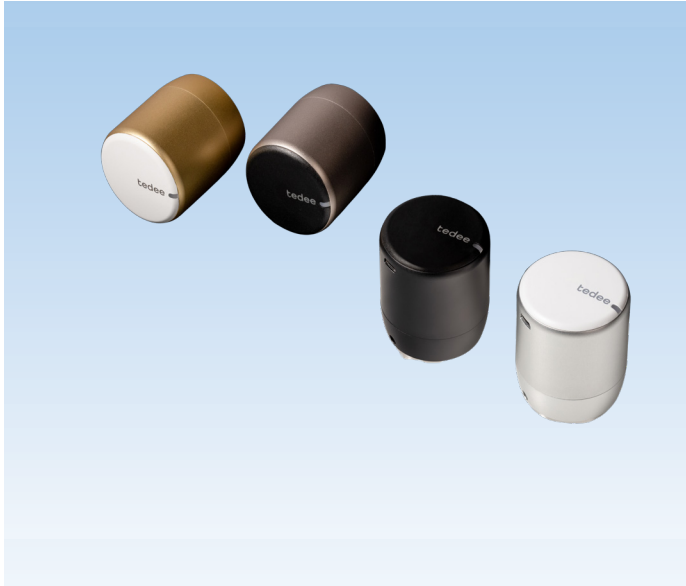


Additional information

- Refer to rosette to select cylinder length
- 3 keys included
- For keyed alike profile cylinder add 9-C9995-00-0-0
- For Key blank add 9-C0974-02-0-0
- 70mm screw for backset up to 65mm (Cut to length)
- Schlage Keyway type "C" 5 pins
- Custom made length A/B available with a MOQ of 100 units

Smart locks

for Door Lock



TEDEE Smart Lock

Description	PU	Part Number
TEDEE PRO Smart Lock	1	6-C9370-00-0-*
* = Color		PU = Packaging Unit

1 = Silver, 6 = Black, 73 = White Gold, 61 = Black Grey



Additional information

- Rechargeable 3000 mAh LiPo battery (included)
- Bluetooth BLE 5.0 2,4 GHz (TEDEE app) and Internet connection
- Security TLS 1.3
- Compatible with all Ferco handles (Lever & Gripset)

03
12



TEDEE Smart lock remote access (Wi-Fi)

Description	PU	Part Number
TEDEE Smart Bridge	1	6-C9382-00-0-7
		PU = Packaging Unit

Additional information

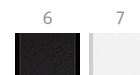
- Dimensions 63.5 x 63.5 x 28 mm / Weight 51.6g
- Power connection socket plug (included) or micro-USB (cable not included)
- Wi-Fi 2.4 GHz and 5.0 GHz
- Bluetooth 5.0 2.4 GHz
- Security TLS 1.3
- Compatible with TEDEE smart lock 6-C9370-00-0-X and Bluetooth Keypad 6-C9387-00-0-6
- Works with smart home systems
- Up to 5 Smart Locks can be controlled (Bluetooth Range)



Bluetooth keypad 2.0

Description	PU	Part Number
TEDEE Keypad 2.0	1	6-C9387-01-0-*
* = Color		PU = Packaging Unit

6 = Black, 7 = White



Additional information

- 3 X AAA batteries (included)
- Bluetooth 5.0 2,4 GHz
- Security TLS 1.3
- Up to 100 unique PINS
- Backlighted buttons, Sound signal, Bell button and more
- IP65 protection class
- Compatible with TEDEE smart lock 6-9370-00-0-X and bridge 6-C9382-00-0-7
- Finger print activated



TEDEE Door sensor

Description	UE	Part Number
TEDEE Door Sensor	1	6-C9390-00-0-*
* = Color		PU = Packaging Unit

6 = Black, 7 = White



Additional information

- Sensor Dimensions 30 × 64 × 14 mm
- Magnet Dimensions 17 × 64 × 7 mm
- Power Supply CR2032 battery
- 2.4 GHz to 2.483 GHz (Max output power: 8 dBm)
- 5°C to 50°C (indoor only)



Micro USB Cable

Description	UE	Part Number
Micro USB Cable for TEDEE Lock	1	6-C9377-00-0-0
PU = Packaging Unit		

03
12



Spare cap for TEDEE lock

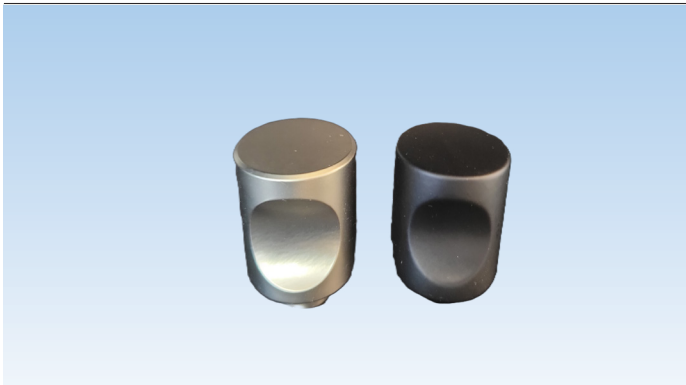
Description	PU	Part Number
Blank front button cover for TEDEE PRO	1	6-C9353-00-0-*
* = Color		PU = Packaging Unit

6V = Matte Black, 7 = White



Additional information

- Compatible with TEDEE PRO



Knob for Profile cylinders for smart locks TEDEE

Description	UE	Part Number
Knob for TEDEE Cylinder	1	6-U7359-00-0-*
		PU = Packaging Unit

11 = Satin Nickel, 6V = Matte Black

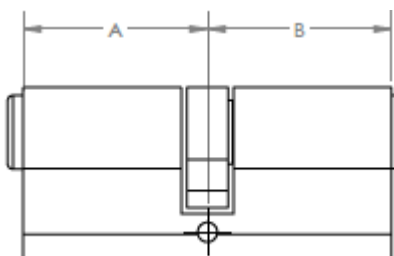
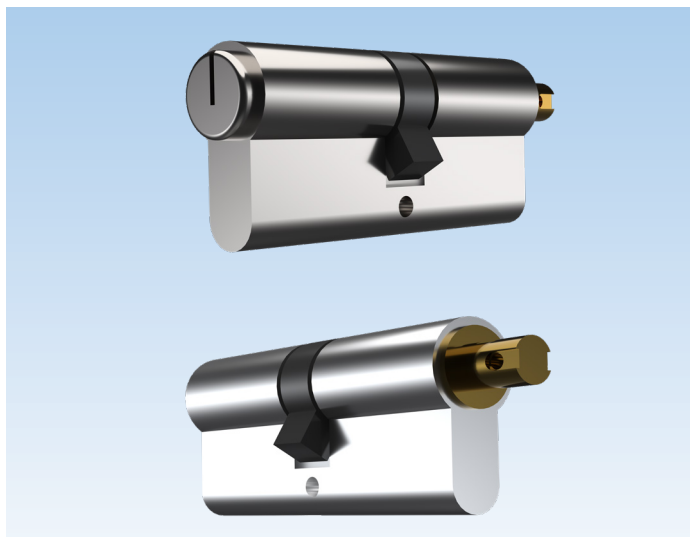


Additional information

- Used during door installation or servicing to prevent damage
- Replaces the TEDEE if necessary
- Compatible with TEDEE smart cylinders

Cylinders for Smart locks

For Door Lock

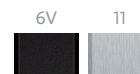


Profile cylinders for TEDEE smart lock

Description	A	B	PU	Part Number
Profile cylinder for TEDEE 45mm (1-3/4") thick doors	34	33	1	6-U7353-M1-0-*
Profile cylinder for TEDEE 57mm (2-1/4") thick doors	40	39	1	6-U7353-M2-0-*
Profile cylinder for TEDEE 76mm (3") thick doors	50	49	1	6-U7353-M3-0-*

* = Color PU = Packaging Unit

6V= Matte Black, 11 = Satin Nickel



Additional information

- Recommended to use rosette 7.5mm thick (K-C9075-00-0-*) and (K-C9077-00-0-*)
- 3 keys included
- 70 mm screw for backset up to 65 mm (can be cut)
- Schlage 5-Pin "C" type groove
- Special sizes A/B available with a minimum order of 100 units
- For keyed alike profile cylinder add 9-C9995-00-0-0

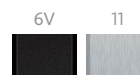


Adjustable profile cylinders for TEDEE smart lock

Description	UE	Part Number
Adjustable profil cylinder for TEDEE smart lock 62-124mm (1 1/4" to 4") thick doors	1	6-U7354-00-0-*

*=Color PU = Packaging Unit

6V = Matte Black, 11= Satin Nickel



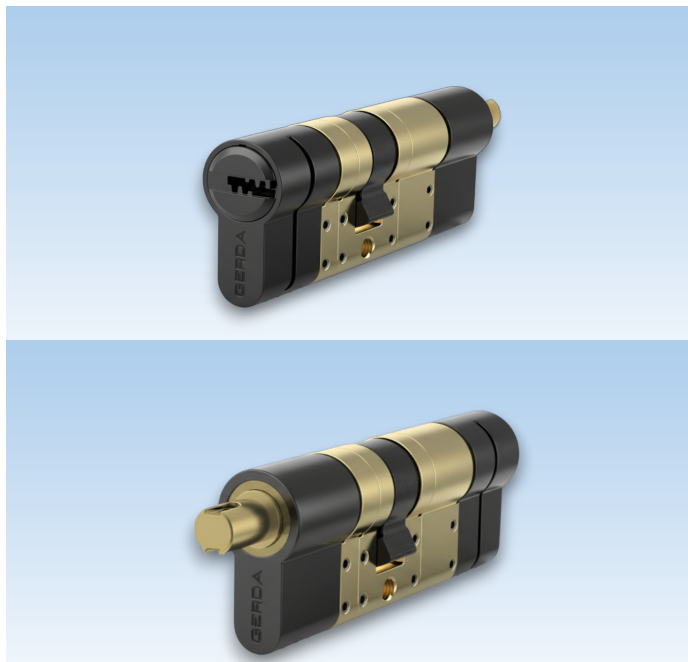
Additional information

- Matte & Nickel finishes
- 3 keys included
- Compatible with TEDEE smart lock 6-C9370-00-0-X
- Standalone adjustable cylinders for non-standard thickness doors or for multipoint that is not centered in the door profile



Cylinders for Smart locks

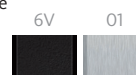
For Door Lock



Adjustable profile cylinders for TEDEE smart lock-Keyed alike

Description	N° d'article	
Adjustable profil cylinder for TEDEE smart lock 67-12mm (1 1/4" to 4") thick doors	1	6-U7352-KA-0-*
Keyed alike	1	9-U7350-KA-0-1
	*=Color	PU = Packaging Unit

6V = Matte Black, 01 = Chrome

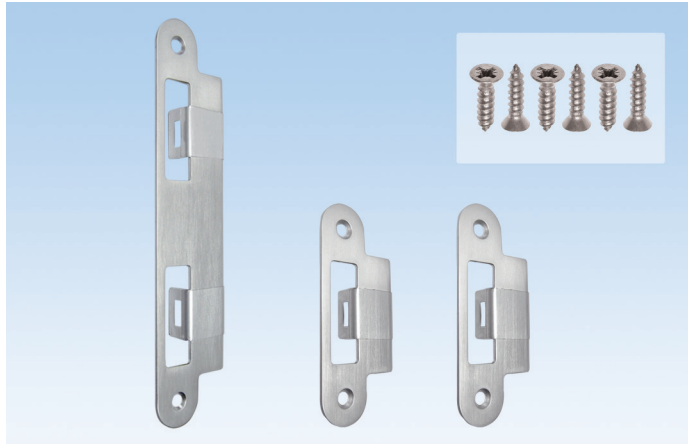


Additional information

- Cylinder only for projects with multiple cylinders requiring keyed alike functionality.
- Matte & Nickel finishes
- 3 keys included
- Compatible with TEDEE smart lock 6-C9370-00-0-X
- Standalone adjustable cylinders for non-standard thickness doors or for multipoint that is not centered in the door profile

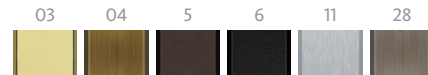
Strike Plates

Bag of Strike Plates



Bag of Strike Plates

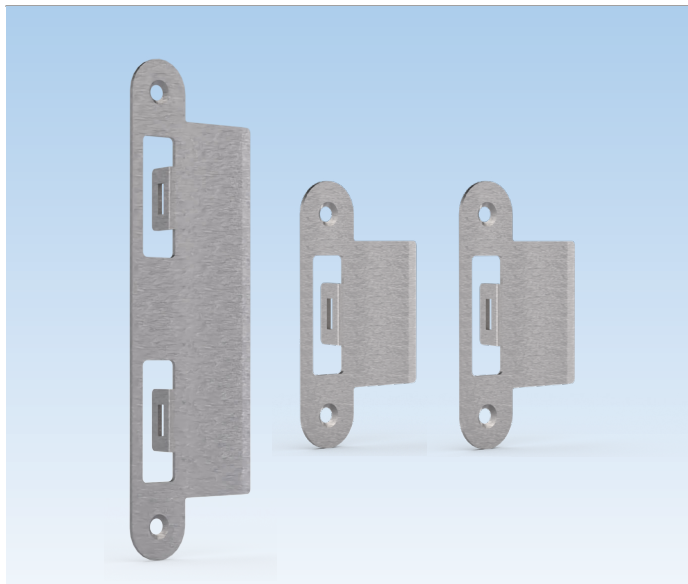
Description	PU	Part Number
Bag of strike plates for 45mm (1 3/4") thick doors	50	K-C4774-45-0-*
Bag of strike plates for 57mm (2 1/4") thick doors	50	K-C4775-57-0-*
* = Color		PU = Packaging Unit
03 = Polished Brass, 04 = Antique Brass, 5 = Dark Bronze, 6 = Black, 11 = Satin Nickel, 28 = Pewter		



Additional information

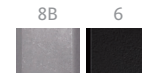
- Solid brass (03, 04, 28) or stainless steel (5, 6, 11)
- Bag contains:
 - 1 middle striker with extended lip and clear protective film
 - 2 top and bottom strikers with extended lip and clear protective film
 - 6 screws
- Non-handed
- Available in handle matching finishes
- For use with GU-SECURY Automatic door locks

03
12



Description	PU	Part Number
Bag of strike plates for 76mm (3") thick doors	1	K-C4777-59-0-*
* = Color		PU = Packaging Unit

8B = Stainless Steel, 6 = Black

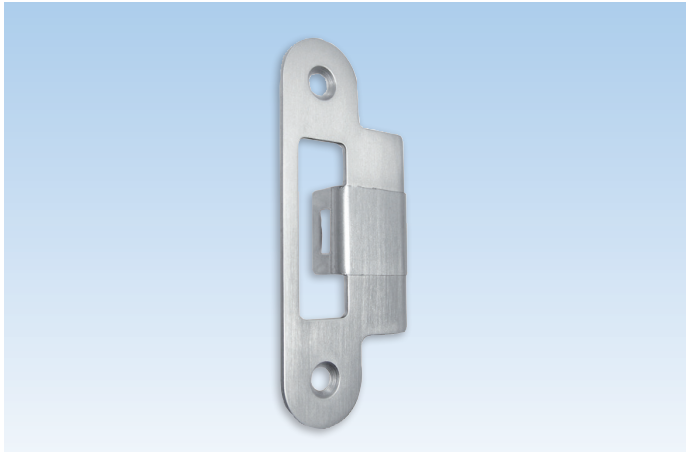


Additional information

- Made in stainless steel
- Bag contains:
 - 1 middle striker with extended lip
 - 2 top and bottom strikers with extended lip
- Non-handed
- For use with GU-SECURY Automatic door locks
- Six #8 x 5/8 FH/PH screws included

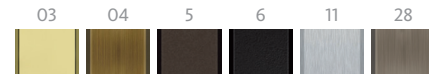
Strike Plates

for Door Lock



Top and Bottom Striker with Extended Lip

Description	PU	Part Number
Latchbolt strike plate for 45mm (1 3/4") thick doors	10	9-C4776-45-0-*
Latchbolt strike plate for 57mm (2 1/4") thick doors	10	9-C4776-57-0-*
* = Color		PU = Packaging Unit
03 = Polished Brass, 04 = Antique Brass, 5 = Dark Bronze, 6 = Black, 11 = Satin Nickel, 28 = Pewter		



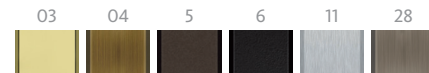
Additional information

- Solid brass (03, 04, 28) or stainless steel (5, 6, 11)
- Non-handed
- With clear protective film
- Available in handle matching finishes
- Two #8 x 5/8 FH/PH screws included
- For use with GU-SECURY Automatic door lock



Middle Striker with Extended Lip

Description	PU	Part Number
Latch and deadbolt strike plate for 45mm (1 3/4") thick doors	10	9-C4777-45-0-*
Latch and deadbolt strike plate for 57mm (2 1/4") thick doors	10	9-C4777-57-0-*
* = Color		PU = Packaging Unit
03 = Polished Brass, 04 = Antique Brass, 5 = Dark Bronze, 6 = Black, 11 = Satin Nickel, 28 = Pewter		

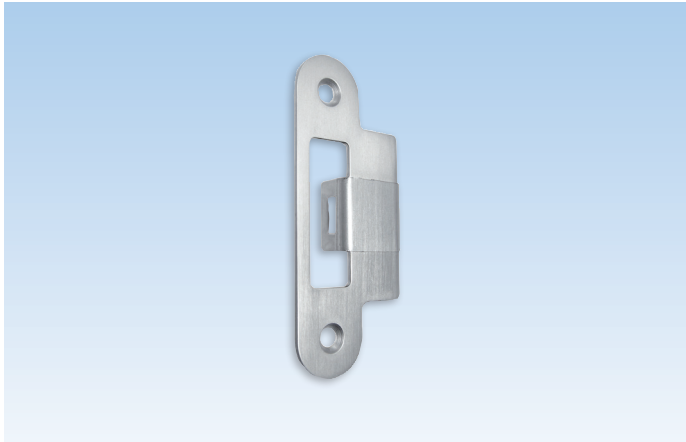


Additional information

- Solid brass (03, 04, 28) or stainless steel (5, 6, 11)
- Non-handed
- With clear protective film
- Available in handle matching finishes
- Two #8 x 5/8 FH/PH screws included
- For use with GU-SECURY SH2, S-Bolt, Automatic and mortise door locks

Strike Plates

for Door Lock



Top and Bottom Striker with Extended Lip

Description	PU	Part Number
Latchbolt strike plate for 76mm (3") thick doors	10	9-C4716-59-0-*
* = Color		PU = Packaging Unit

8B = Stainless Steel, 6 = Black



Additional information

- Made in stainless steel
- Non-handed
- Two #8 x 5/8 FH/PH screws not included
- For use with GU-SECURY Automatic door lock



Middle Striker with Extended Lip

Description	PU	Part Number
Latch and deadbolt strike plate for 76mm (3") thick doors	10	9-C4717-59-0-*
* = Color		PU = Packaging Unit

8B = Stainless Steel, 6 = Black



Additional information

- Made in stainless steel
- Non-handed
- Two #8 x 5/8 FH/PH screws not included
- For use with GU-SECURY Automatic door lock



Dust Cup with Edge

Description	Color	PU	Part Number
Plastic cup - 25mm	Black	10	9-C4765-00-0-6
Plastic cup - 15mm	Black	10	9-C4765-0A-0-6
PU = Packaging Unit			

Additional information

- Use for latch and 2 automatic latches (optional)
- Dimensions for plastic cup - 25mm:
 - Length: 62mm
 - Width: 19.5mm
 - Depth: 25.8mm
- Dimensions for plastic cup - 15 mm:
 - Length: 62mm
 - Width: 19.5mm
 - Depth: 16mm

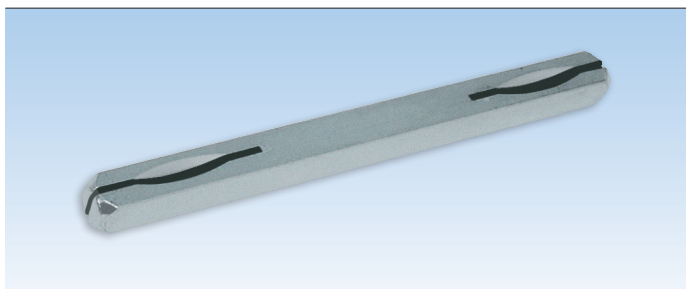


Fastening Screws

Description	Color	PU	Part Number
D1 screws	Stainless Steel	1000	9-C5362-32-0-8
PU = Packaging Unit			

Additional information

- Stainless steel lock fastening screws
- Type D1 with self-drilling spiral point and high duplex thread with "Quadrex" socket
- Sharp tip for quick drive



8mm spindle (Zinc)

Description	PU	Part Number
8 x 8 x 120mm spindle for 41-57mm thick doors (1 spindle is supplied with door handle kit)	1	9-U8100-20-0-8
8 x 8 x 130mm spindle for 57-76mm thick doors	1	9-U8100-30-0-8
PU = Packaging Unit		

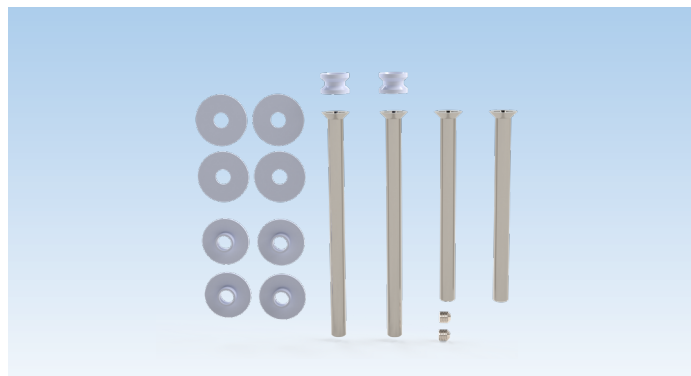


PEEK Cream Cleaner

Description	PU	Part Number
100mL tube	1	
PU = Packaging Unit		

Additional information

- Cleans, polishes and protects the surface
- Successfully used to clean SS surfaces on handles and pullbars
- Leaves behind a light and invisible protective coating
- Available at Amazon , Candian Tire or other hardware store



Replacement parts for Rounded Straight Handles

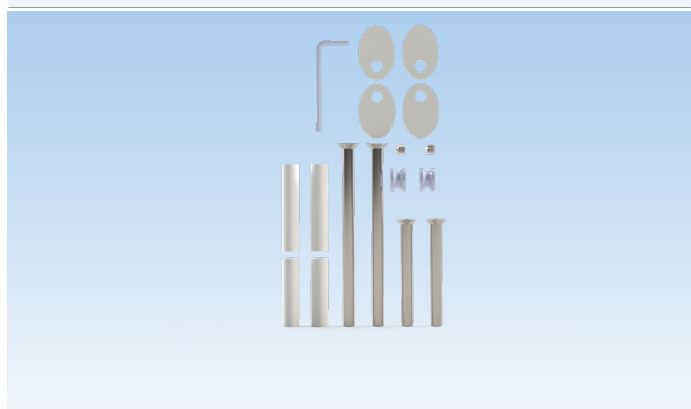
Description	Color	PU	Part Number
Kit of replacement part	Stainless Steel	1	K-C0341-KT-0-*
* = Color		PU = Packaging Unit	

8B = Stainless Steel, 6V = Matte Black



Additional information

- Use with K-C0341-*

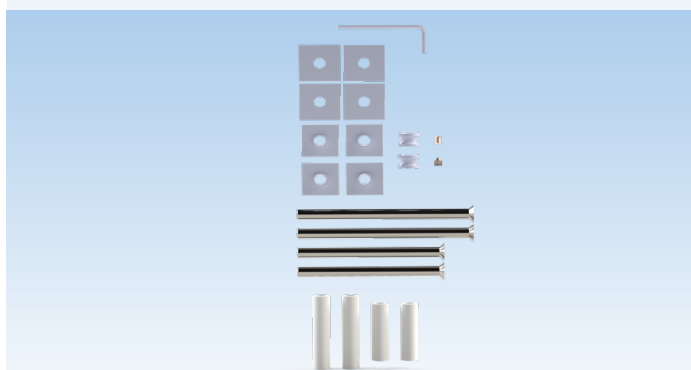


Replacement parts for Rounded 45 deg Handles

Description	Color	PU	Part Number
Kit of replacement part	Stainless Steel	1	K-C0343-KT-0-8B
		PU = Packaging Unit	

Additional information

- Use with K-C0343-* finishes 8B & 6V



Replacement parts for square Handles

Description	Color	PU	Part Number
Kit of replacement part	Stainless Steel	1	K-C0346-KT-0-*
* = Color		PU = Packaging Unit	

8B = Stainless Steel, 6V = Matte Black



Additional information

- Use with K-C0346-*



Torx 15 T-Key

Description	Color	PU	Part Number
Torx key	Steel	1	H-00346-15-0-0
PU = Packaging Unit			

Additional information

- Used for connecting SH2 and Automatic extensions



4mm Allen T-Key

Description	Color	PU	Part Number
Allen key	Steel	1	H-00345-04-0-0
PU = Packaging Unit			

Additional information

- Used for reversing Automatic latchbolts on GU-SECURY Automatic lock and extension



Construction Key

Description	Color	PU	Part Number
Key	Black	10	9-U0001-01-0-0
PU = Packaging Unit			

Additional information

The construction key is available for those who prefer to install the decorative hardware trim and lever sets on doors after the construction has been completed. Installing the escutcheon plates and levers in the final stage of construction prevents the decorative trim from becoming scratched or damaged.

The construction key has been designed to accommodate multipoint door hardware (8mm square), tilt-turn hardware (7mm square) and lift-slide hardware (10mm square).



Construction Key

Description	Color	PU	Part Number
Key Tool Cylinder Length	Red	1	B 3539 0111
PU = Packaging Unit			

Additional information

- The construction key is available for those who prefer to install the decorative hardware trim and lever sets on doors after the construction has been completed.
- Installing the escutcheon plates and levers in the final stage of construction prevents the decorative trim from becoming scratched or damaged.
- Used to operate the multipoint door hardware through the profile cylinder opening, and to measure the profile cylinder length required from the side scale.



Wood Mount Display with Pull bar

Description	PU	Part Number
Wood mount display - Double pull bars	1	K-C9627-00-0-9
Wood mount display - Double pull bars and TEDEE Smart Lock	1	K-C9625-00-T-9
PU = Packaging Unit		

Additional information

- Wood mount complete with pull bar, EU rosette and SECURY Automatic sample gear
- EU profile Cylinder with Thumbturn with K-C9627-00-0-9
- EU profile Cylinder with TEDEE smart lock with K-C9625-00-T-9
- When ordering, please add note for finish



VENTO Handle display EU Pull bar 45

Description	PU	Part Number
Vento Handle Display US Pull Bar 45	1	K-C9624-00-0-9
Vento Handle Display US Pull Bar 45-TEDEE	1	K-C9624-00-T-9
PU = Packaging Unit		

Additional information

- 7" x 7" x 31" 3/4 (17.75 cm x 17.75 cm x 80.65 cm)
- When ordering, please pick handle, plate and finish



WINDOW TECHNOLOGY
DOOR TECHNOLOGY
AUTOMATIC ENTRANCE SYSTEMS
BUILDING MANAGEMENT SYSTEMS



HEAD OFFICE

Ferco Architectural Hardware Inc.
2000, Berlier St.
Laval, QC H7L 4S4
Tel.: 450 973-1437
1 800 355-8810
Fax: 450 973-7661
ferco@ferco.ca

ONTARIO / WESTERN PROVINCES

Tel.: 905 282-9588
1 800 668-5310
Fax: 905 282-9915

UNITED STATES

Tel.: 1 800 927-1097
Fax: 1 888 454-0161

www.ferco.ca

Securing technology for you

