



WINDOW TECHNOLOGY
DOOR TECHNOLOGY
AUTOMATIC ENTRANCE SYSTEMS
BUILDING MANAGEMENT SYSTEMS



WINDOW TECHNOLOGY – ORDER CATALOG | SECTION 02.1



Casement & Awning Windows Hardware



Securing technology for you







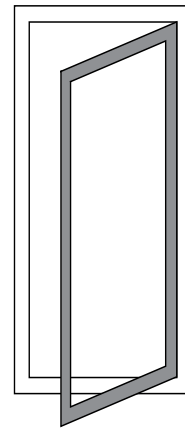
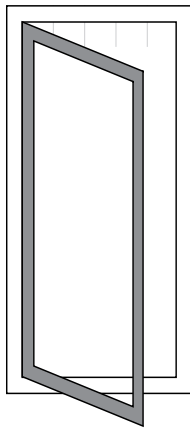
02.1

Casement & Awning Windows Hardware

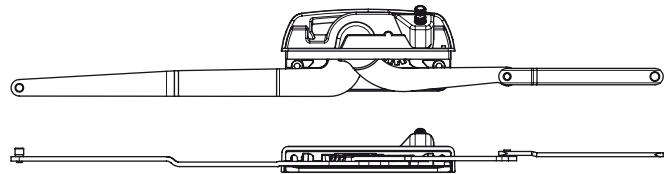
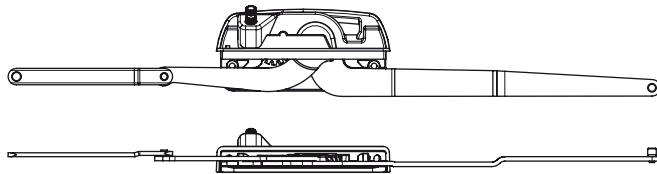
- SS Dyad and Dual Arm Operator 02.1.5
- Covers & Fold-in Handles.....02.1.6
- SS Track and Brackets for Casement Operators 02.1.7
- Awning SS Operator and Track 02.1.8
- Covers & Fold-in Handles for awning & casement.....02.1.9
- Casement and Awning Hinges 02.1.10
- Accessories For Hinges 02.1.12
- Multipoint** Locking Handles 02.1.13
- Single point Locking Handles..... 02.1.15
- Multipoint Locking Bars & Half Reaching Wedge 02.1.17
- Guide Shims for Multipoint Locking Bars 02.1.20
- Keepers for Multipoint Locking Bars 02.1.21
- Single Point Keepers 02.1.23
- Restrictors 02.1.24
- Accessories..... 02.1.25

Left/Right Hand Identification

for Casement Window Hardware



OUTSWING WINDOWS (VIEWED FROM OUTSIDE)

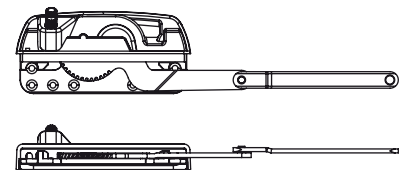
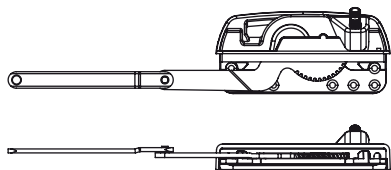


LEFT-HAND DUAL ARM OPERATOR

6-C2331-00-L-8
(use cover kit type A)

RIGHT-HAND DUAL ARM OPERATOR

6-C2331-00-R-8
(use cover kit type B)

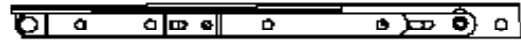


LEFT-HAND DYAD OPERATOR

6-C2332-00-L-8
(use cover kit type B)

RIGHT-HAND DYAD OPERATOR

6-C2332-00-R-8
(use cover kit type A)



CASEMENT HINGES

6-C2431-XX-A/B-8B
6-C2480-XX-A/B-8B
(For this window position, use type A)

CASEMENT HINGES

6-C2431-XX-A/B-8B
6-C2480-XX-A/B-8B
(For this window position, use type B)



HALF REACHING WEDGE (A)

9-C0148-00-A-6

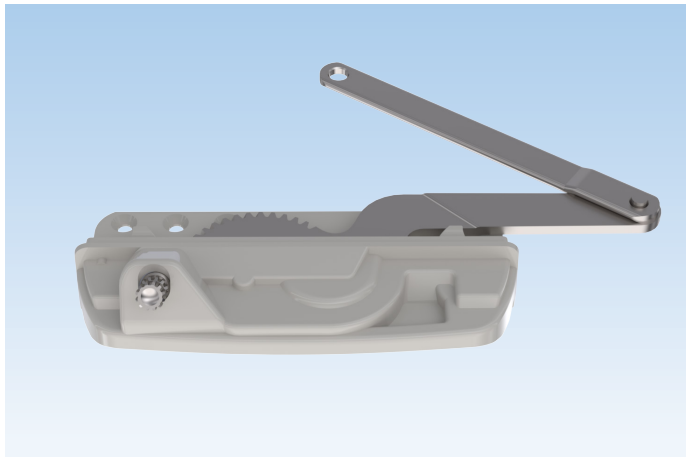


HALF REACHING WEDGE (B)

9-C0148-00-B-6

Dyad and Dual Arm Stainless Steel Operators

with Removable Cover and Fold-in Handle



Dyad Operator

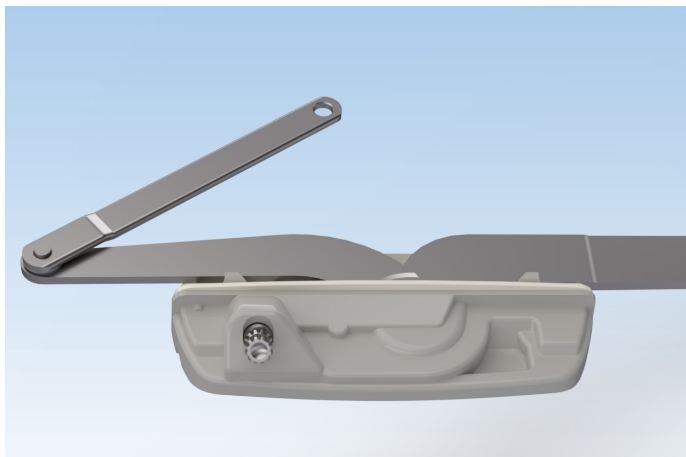
Description	Color	PU	Part Number
Operator for casement windows	SS	20	6-C2332-00-L/R-8
Operator for casement windows with short arm	SS	20	6-C2332-MC-L/R-8

L/R = Left-handed/Right-handed

PU = Packaging Unit

Additional information

- Tempered stainless steel arms
- Powder coated base made of "Zamak"
- Industry standard cutouts
- AAMA Compliance
- Used with covers:
 - left-handed (L) use cover kit type B
 - right-handed (R) use cover kit type A



Dual Arm Operator

Description	Color	PU	Part Number
Operator for casement windows	SS	20	6-C2331-00-L/R-8
Operator for casement windows with short arm	SS	20	6-C2331-MC-L/R-8

L/R = Left-handed/Right-handed

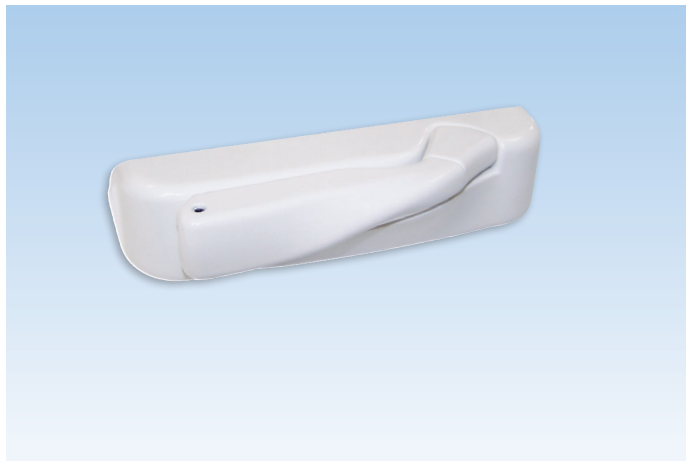
PU = Packaging Unit

Additional information

- Tempered stainless steel arms
- Powder coated base made of "Zamak"
- Industry standard cutouts
- Minimum frame width 533,4mm (21")
- AAMA Compliance
- Used with covers:
 - left-handed (L) use cover kit type A
 - right-handed (R) use cover kit type B

Removable cover and Fold-in Handle

For Casement

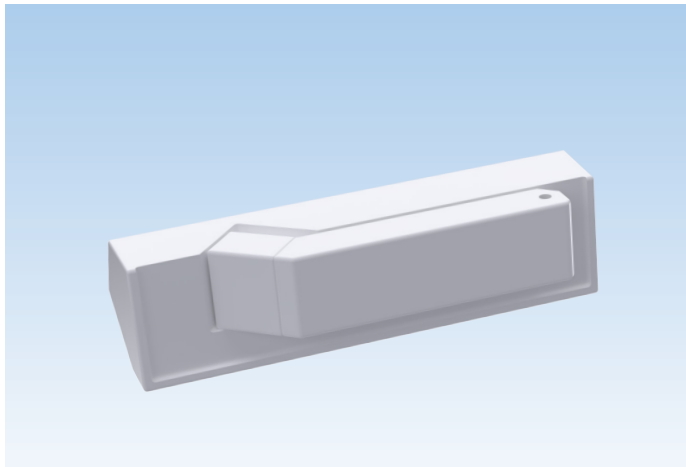


FENIX CLASSIC Removable Cover & Fold-in Handle kit

Description	PU	Part Number
Kit type A	100	6-C2345-02-A-*
Kit type B	100	6-C2345-02-B-*
* = Color		PU = Packaging Unit
7 = White, 27 = Blue White, 6 = Black		

Additional information

- Once the window is closed, the handle folds and snaps into the cover once the window is closed



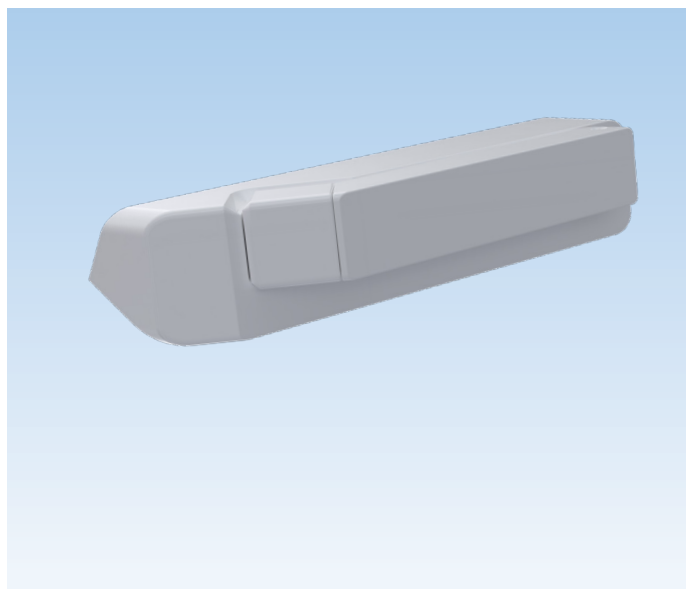
FENIX EVO Removable Cover & Fold-in Handle kit

Description	PU	Part Number
Kit type A	100	6-C2350-00-A-*
Kit type B	100	6-C2350-00-B-*
* = Color		PU = Packaging Unit
7 = White, 27 = Blue White, 6 = Black		



Additional information

- Once the window is closed, the handle folds and snaps into the cover once the window is closed



FENIX EVO 2 Removable Cover & Fold-in Handle kit

Description	PU	Part Number
Kit type A	100	6-C2352-00-A-*
Kit type B	100	6-C2352-00-B-*
* = Color		PU = Packaging Unit
7V = Matte White, 27V = Matte Blue White, 6V = Matte Black		

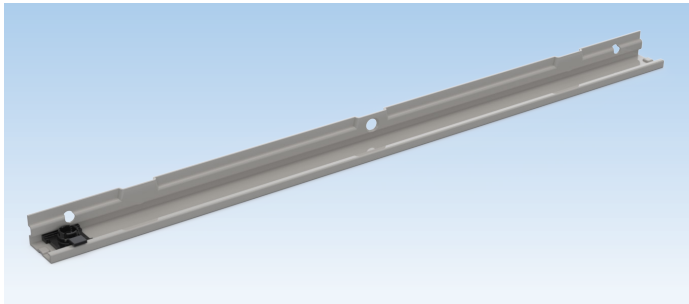


Additional information

- Once the window is closed, the handle folds and snaps into the cover once the window is closed

Stainless Steel Track and Brackets

For Casement

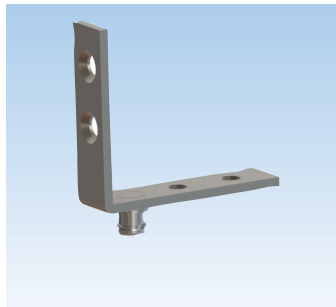


Track for Dual Arm Operator

Description	Color	PU	Part Number
Track with slider guide	SS	200	6-C2336-00-0-8
PU = Packaging Unit			

Additional information

- Made of stainless steel
- Recommended to use SS screws 9-C9681-00-0-8 or 9-C9686-00-0-8 for installation

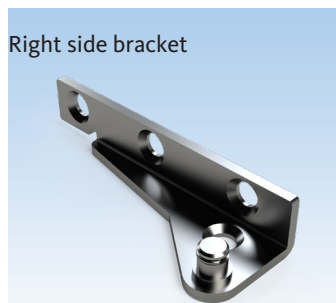


90° Bracket

Description	Color	PU	Part Number
Bracket for casement operators	SS	200	6-C2320-00-0-8
PU = Packaging Unit			

Additional information

- Made of stainless steel
- Snap-on pivot
- Recommended to use SS screws 9-C9681-00-0-8 or 9-C9686-00-0-8 for installation



Right side bracket

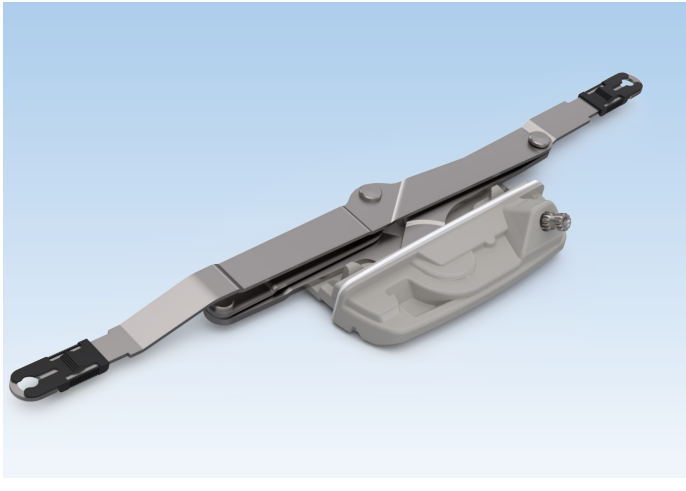
Surface mounted stud bracket

Description	Color	PU	Part Number
25 mm stud bracket	SS	200	6-C2307-00-L/R-8B
PU = Packaging Unit			

Additional information

- Made of stainless steel
- Snap-on pivot
- Recommended to use SS screws 9-C9681-00-0-8 or 9-C9686-00-0-8 for installation

Awning Stainless Steel Operator



Scissor Arm Operator

Description	Color	PU	Part Number
Operator for awning windows	SS	20	6-C2340-00-0-8
PU = Packaging Unit			

Additional information

- Tempered stainless steel arms
- Powder coated base made of "Zamak"
- Industry standard cutouts
- AAMA Compliance
- Used with cover kit type A

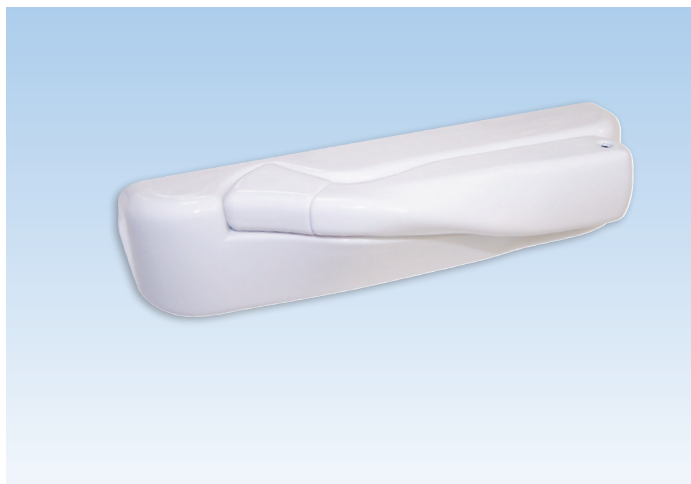


Track for Scissor Arm Operator

Description	Color	PU	Part Number
Track with slider guides	SS	40	6-C2335-01-0-8
PU = Packaging Unit			

Additional information

- Made of stainless steel
- Two slider guides included
- Recommended to use SS screws 9-C9681-00-0-8 or 9-C9686-00-0-8 for installation



FENIX CLASSIC Removable Cover & Fold-in Handle kit

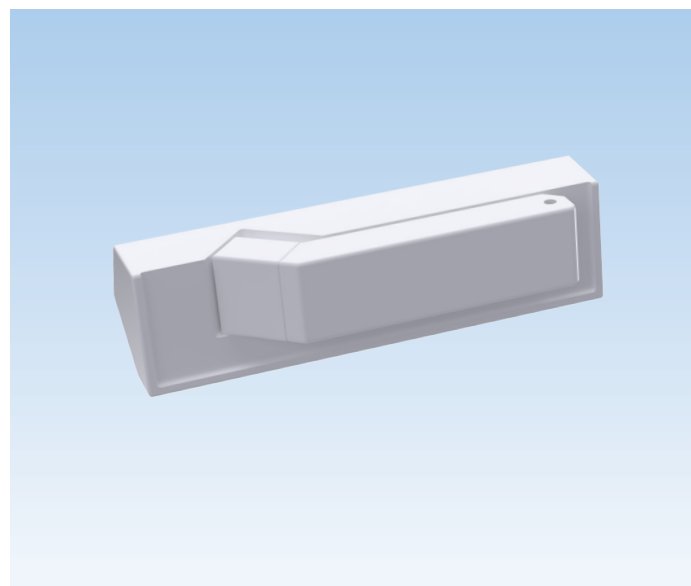
Description	PU	Part Number
Kit type A	100	6-C2345-02-A-*
PU = Packaging Unit		

7 = White, 27 = Blue White, 6 = Black



Additional information

- Once the window closed, the handle folds and snaps into the cover



FENIX EVO Removable Cover & Fold-in Handle kit

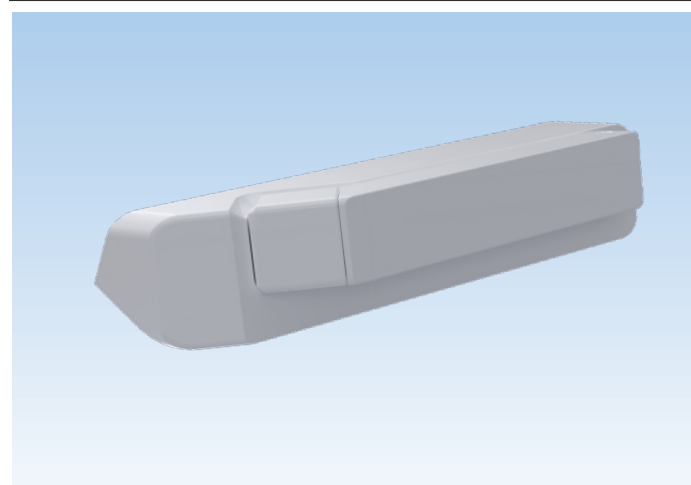
Description	PU	Part Number
Kit type A	100	6-C2350-00-A-*
* = Color PU = Packaging Unit		

7 = White, 27 = Blue White, 6 = Black



Additional information

- Once the window closed, the handle folds and snaps into the cover



FENIX EVO 2 Removable Cover & Fold-in Handle kit

Description	PU	Part Number
Kit type A	100	6-C2352-00-A-*
* = Color PU = Packaging Unit		

7V = Matte White, 27V = Matte Blue White, 6V = Matte Black



Additional information

- Once the window closed, the handle folds and snaps into the cover



Standard Snap-on 10" & 14" Adjustable Hinges

Description	Color	PU	Part Number
Casement hinge arms			
Arms for 10" hinge Type A	SS	100	6-C2431-10-A-8B
Arms for 10" hinge Type B	SS	100	6-C2431-10-B-8B
Arms for 14" hinge Type A	SS	100	6-C2431-14-A-8B
Arms for 14" hinge Type B	SS	100	6-C2431-14-B-8B
Casement hinge tracks			
Track for 10" hinge Type A	SS	100	6-C2480-10-A-8B
Track for 10" hinge Type B	SS	100	6-C2480-10-B-8B
Track for 14" hinge Type A	SS	100	6-C2480-14-A-8B
Track for 14" hinge Type B	SS	100	6-C2480-14-B-8B
PU = Packaging Unit			

Additional information

- Stainless steel arms and tracks
- Solid brass adjustable pivot
- Nylon and stainless steel slide
- Stop point 90°
- Nylatron washer between arms
- Certified AAMA
- Adjustable with hexagonal 13mm (1/2") wrench
- Recommended to use SS screws 9-C9681-00-0-8 or 9-C9686-00-0-8 for installation



Egress Snap-on 10" Adjustable Hinges

Description	Color	PU	Part Number
Casement hinge arms			
Egress Arms for 10" hinge Type A	SS	100	6-C2425-10-A-8B
Egress Arms for 10" hinge Type B	SS	100	6-C2425-10-B-8B
Casement hinge tracks			
Track for 10" hinge Type A	SS	100	6-C2480-10-A-8B
Track for 10" hinge Type B	SS	100	6-C2480-10-B-8B
PU = Packaging Unit			

Additional information

- Same components as the standard hinges
- Recommended to use SS screws 9-C9681-00-0-8 or 9-C9686-00-0-8 for installation



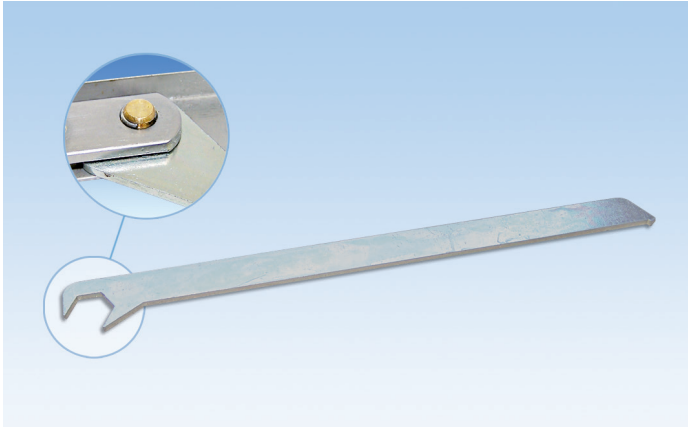
Awning Fixed Hinges

Description	Color	PU	Part Number
Awning hinges arms			
Arms for 14" hinge Type A	SS	50	6-C2412-14-A-8B
Arms for 14" hinge Type B	SS	50	6-C2412-14-B-8B
Arms for 18" hinge Type A	SS	50	6-C2412-18-A-8B
Arms for 18" hinge Type B	SS	50	6-C2412-18-B-8B
Arms for 22" hinge Type A	SS	50	6-C2412-22-A-8B
Arms for 22" hinge Type B	SS	50	6-C2412-22-B-8B
Arms for 26" hinge Type A	SS	50	6-C2412-26-A-8B
Arms for 26" hinge Type B	SS	50	6-C2412-26-B-8B
Awning hinges tracks			
Track for 14" hinge Type A	SS	50	6-C2455-14-A-8B
Track for 14" hinge Type B	SS	50	6-C2455-14-B-8B
Track for 18" hinge Type A	SS	50	6-C2455-18-A-8B
Track for 18" hinge Type B	SS	50	6-C2455-18-B-8B
Track for 22" hinge Type A	SS	50	6-C2455-22-A-8B
Track for 22" hinge Type B	SS	50	6-C2455-22-B-8B
Track for 26" hinge Type A	SS	50	6-C2455-26-A-8B
Track for 26" hinge Type B	SS	50	6-C2455-26-B-8B

PU = Packaging Unit

Additional information

- Stainless steel arms and tracks
- Solid brass pivot
- Stainless steel pivot clip
- Nylon and stainless steel slide
- Nylatron washer between arms
- Certified AAMA
- Recommended to use SS screws 9-C9681-00-0-8 or 9-C9686-00-0-8 for installation



Hexagonal Wrench

Description	Color	PU	Part Number
13mm (1/2") wrench	Zinc	1	9-C2452-20-0-1
PU = Packaging Unit			

Additional information

- Used to adjust the adjustable hinges

Locking Handles

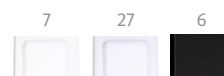
For Multipoints



FENIX CLASSIC Multipoint Locking Handle

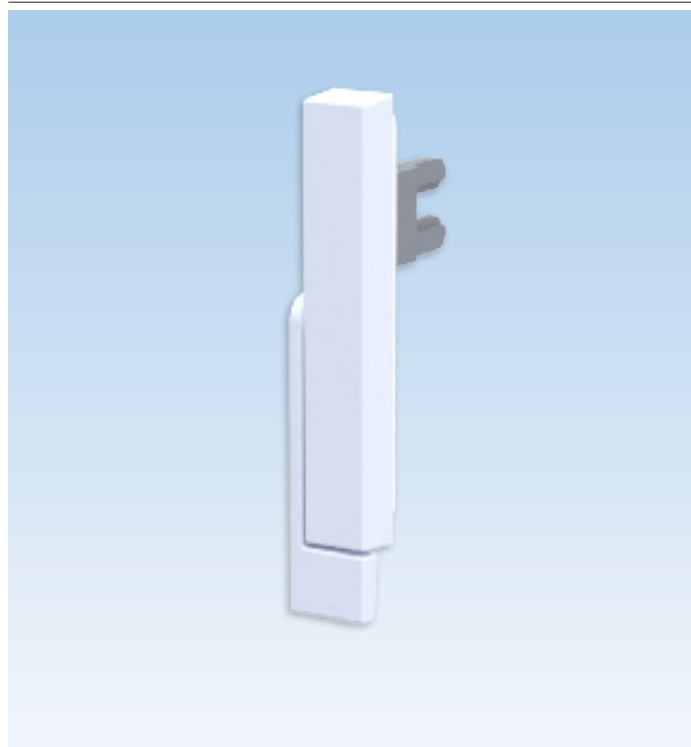
Description	Color	PU	Part Number
Locking handle with nylon driving fork	White	100	6-C7010-35-0-7
	Blue White	100	6-C7010-35-0-27
	Black	100	6-C7010-35-0-6

PU = Packaging Unit



Additional information

- Case and handle made of "Zamak", baked enamel finish
- Reversible left hand or right hand
- 50mm locking travel – 180°
- Use with multipoint locking bars



FENIX EDGE Multipoint Locking Handle

Description	Color	PU	Part Number
Locking handle with Zamak driving fork	Matte White	100	6-C6440-35-0-7V
	Matte Blue White	100	6-C6440-35-0-27V
	Matte Black	100	6-C6440-35-0-6V

PU = Packaging Unit

7V = Matte White, 27V = Matte Blue White, 6V = Matte Black



Additional information

- Case and handle made of "Zamak", baked enamel finish
- Reversible left hand or right hand
- 50mm locking travel – 180°
- Use with multipoint locking bars

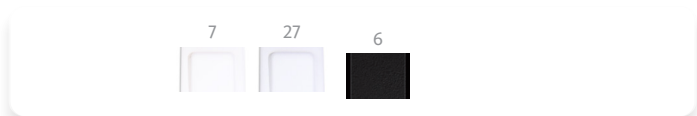
Locking Handles

For Multipoints



FENIX EVO Multipoint Locking Handle

Description	PU	Part Number
Locking handle with zamak driving fork	20	6-C7030-00-0-*
* = Color PU = Packaging Unit		
7 = White, 27 = Blue White, 6 = Black		



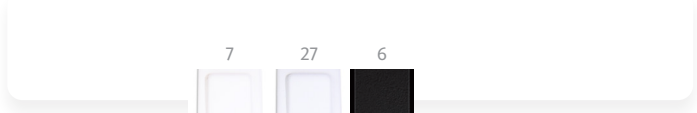
Additional information

- Case and handle made of "Zamak", baked enamel finish
- Reversible left hand or right hand
- 50mm locking travel – 180°
- Includes one bag of 20 spacer tabs



FENIX CLASSIC Multipoint Locking Handle

Description	Color	PU	Part Number
Locking handle with zamak driving fork	White	100	6-C6430-35-0-7
	Blue White	100	6-C6430-35-0-27
	Black	100	6-C6430-35-0-6
PU = Packaging Unit			



Additional information

- Case and handle made of "Zamak", baked enamel finish
- Reversible left hand or right hand
- 50mm locking travel – 180°
- Use with multipoint locking bars

Locking Handles

For Singlepoint



FENIX CLASSIC Single Point Locking Handle

Description	Color	PU	Part Number
Locking handle with steel driving fork	White	100	6-C7011-00-0-7
	Blue White	100	6-C7011-00-0-27

PU = Packaging Unit



Additional information

- Case and handle made of "Zamak", baked enamel finish
- Reversible left hand or right hand
- 50mm locking travel – 180°
- Locking reach of 12mm (1/2")
- Use with steel keepers 9-C2440 and 6-C2440



FENIX CLASSIC Single Point Locking Handle

Description	Color	PU	Part Number
Locking handle with opened stop points	White	100	6-C6470-00-0-37
	Blue White	100	6-C6470-00-0-07

PU = Packaging Unit



Additional information

- Nylon housing, "Zamak" lever
- Baked enamel finish
- Use with steel keepers 9-C2440 and 6-C2440

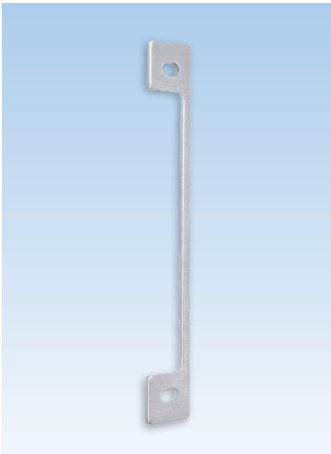


Wafer Head Screws

Description	Color	PU	Part Number
#8 x 1/2" (12mm)	Zinc	200	9-C2451-2C-0-1
PU = Packaging Unit			

Additional information

- #8 zinc plated steel screws
- Phillips socket
- For locking handle installation



Fixing Bracket

Description	Color	PU	Part Number
Fixing bracket for locking handles	Aluminum	1000	9-C2720-04-0-0
PU = Packaging Unit			

Additional information

- Made of aluminum
- Use with locking handles when doing a one-step cut-out:
 6-C6430-35-0-*
 6-C7010-35-0-*
 6-C7011-00-0-*
 6-C6440-35-0*

Multipoint Locking Bars

Series 6-C2700 for All Profiles



Locking Bars with 8mm Cams

Dim. (mm)	Dim. (in)	Locking Cam	PU	Part Number
180	7	1	50	6-C2700-02-0-0
380	15	2	50	6-C2700-04-0-0
500	20	2	50	6-C2700-05-0-0
600	24	2	50	6-C2700-06-0-0
700	28	2	50	6-C2700-07-0-0
800	32	2	50	6-C2700-08-0-0
900	36	2	50	6-C2700-09-0-0
1000	40	3	50	6-C2700-10-0-0
1100	43	3	50	6-C2700-11-0-0
1200	47	3	50	6-C2700-12-0-0
1300	51	3	50	6-C2700-13-0-0
1400	55	3	50	6-C2700-14-0-0
1500	59	3	50	6-C2700-15-0-0
1600	63	4	50	6-C2700-16-0-0
1700	67	4	50	6-C2700-17-0-0
1800*	71	4	10	6-C2700-18-0-0
1900*	75	4	10	6-C2700-19-0-0
2000*	79	4	10	6-C2700-20-0-0

*Only available on special request

PU = Packaging Unit

Additional information

- Made of stainless steel
- Reinforced nylon glides
- Use with multipoint keepers (Refer to keeper section)
- Use with multipoint locking handles
- Adjustable cams (± 1 mm) with Allen key 4mm
- Handle can be installed on first or second cam

02
1



Reaching Wedge

Description	Color	PU	Part Number
Half reaching wedge	Black	1	9-C0148-00-A/B-6

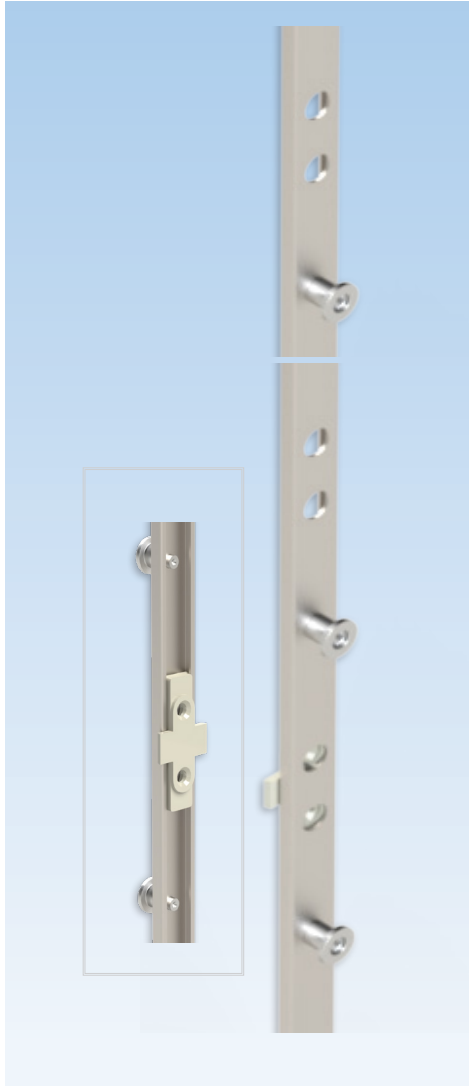
PU = Packaging Unit

Additional information

- Made of nylon
- Used for multi-point locking bars
- A = used for left hand operator (outside view)
B = used for right hand operator (outside view)
- Refer to page 4 for handling

Multipoint Locking Bars

Series 6-C2741 For Thermoplast Profiles Only



Locking Bars with 8mm Cams

Dim. (mm)	Dim. (in)	Locking Cam	PU	Part Number
180	7	1	25	6-C2741-02-0-0
380	15	2	25	6-C2741-04-0-0
500	20	2	25	6-C2741-05-0-0
600	24	2	25	6-C2741-06-0-0
700	28	2	25	6-C2741-07-0-0
800	32	2	25	6-C2741-08-0-0
900	36	2	25	6-C2741-09-0-0
1000	40	3	25	6-C2741-10-0-0
1100	43	3	25	6-C2741-11-0-0
1200	47	3	25	6-C2741-12-0-0
1300	51	3	25	6-C2741-13-0-0
1400	55	3	25	6-C2741-14-0-0
1500	59	3	25	6-C2700-15-0-0
1600	63	4	25	6-C2741-16-0-0
1700	67	4	25	6-C2741-17-0-0
1800*	71	4	10	6-C2741-18-0-0
1900*	75	4	10	6-C2741-19-0-0
2000*	79	4	10	6-C2741-20-0-0

*Only available on special request

PU = Packaging Unit

Additional information

- Made of stainless steel
- Reinforced nylon glides for Thermoplast series 4600
- Use with multipoint keeper (9-C2423-T0-0-7)
- Use with multipoint locking handles
- Adjustable cams (± 1 mm) with Allen key 4mm
- Handle can be installed on first or second cam

Multipoint Locking Bars

Series 6-C2715 with additional locking cam



Locking Bars with 8mm Cams

Dim. (mm)	Dim. (in)	Locking Cam	PU	Part Number
1200	47	4	50	6-C2715-12-0-0
1300	51	4	50	6-C2715-13-0-0
1400	55	4	50	6-C2715-14-0-0
1500	59	4	50	6-C2715-15-0-0
1600	63	5	50	6-C2715-16-0-0
1700*	67	5	50	6-C2715-17-0-0
1800*	71	5	10	6-C2715-18-0-0
1900*	75	5	10	6-C2715-19-0-0
2000*	79	5	10	6-C2715-20-0-0

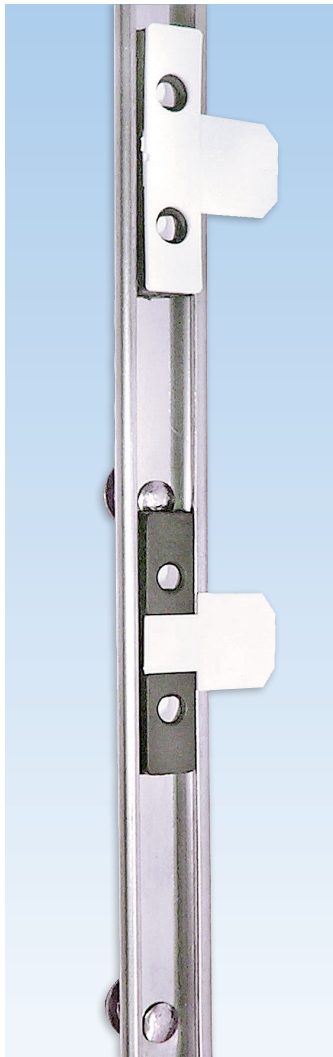
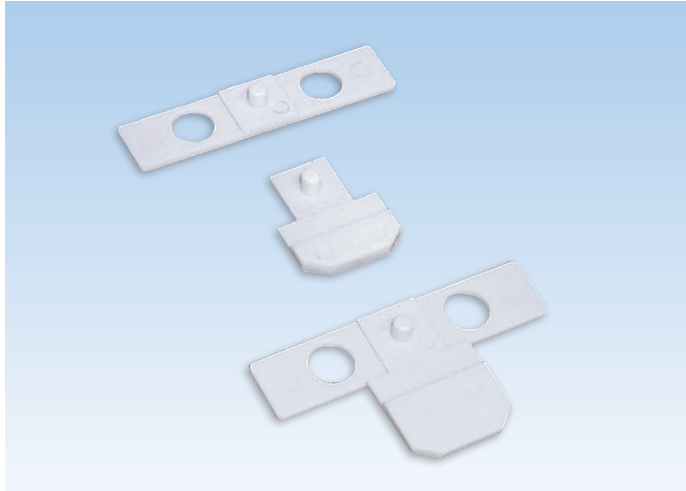
*Only available on special request PU = Packaging Unit

Additional information

- Made of stainless steel
- Reinforced nylon glides
- Use with multipoint keeper (Refer to keeper section)
- Use with multipoint locking handles
- Adjustable cams (± 1 mm) with Allen key 4mm
- Handle can be installed on first or second cam

Guide Shims

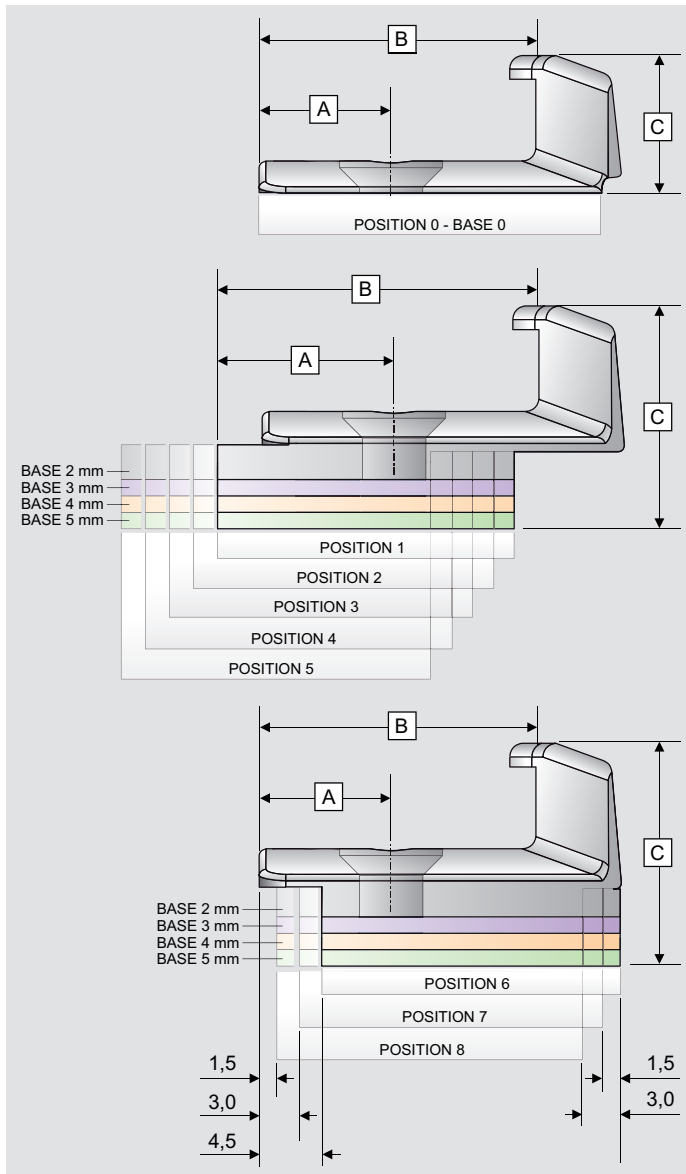
for Multipoint Locking Bars



		THICKNESS		
		0mm	1mm	2mm
SPACE FROM EDGE OF BAR	No Guide Shims		1 - 0 9-C2400-00-1-7	2 - 0 9-C2400-00-2-7
	Guide 6mm Shims	0 - 6 9-C2400-06-0-7	1 - 6 9-C2400-06-1-7	2 - 6 9-C2400-06-2-7
	Guide 7mm Shims	0 - 7 9-C2400-07-0-7	1 - 7 9-C2400-07-1-7	2 - 7 9-C2400-07-2-7
	Guide 8mm Shims	0 - 8 9-C2400-08-0-7	1 - 8 9-C2400-08-1-7	2 - 8 9-C2400-08-2-7
	Guide 9mm Shims	0 - 9 9-C2400-09-0-7	1 - 9 9-C2400-09-1-7	2 - 9 9-C2400-09-2-7
	Guide 10mm Shims	0 - 10 9-C2400-10-0-7	1 - 10 9-C2400-10-1-7	2 - 10 9-C2400-10-2-7
	Guide 11mm Shims	0 - 11 9-C2400-11-0-7	1 - 11 9-C2400-11-1-7	2 - 11 9-C2400-11-2-7
	Guide 12mm Shims	0 - 12 9-C2400-12-0-7	1 - 12 9-C2400-12-1-7	2 - 12 9-C2400-12-2-7

Keepers

for Multipoint Locking Bars



Monobloc Keepers

Base	Pos.	Height (C) mm	Dim. (A) mm	Dim. (B) mm	PU	Part Number
0	0	11	10.0	21.0	1000	9-C2423-00-0-7
2	1	13	14.0	25.0	1000	9-C2423-21-0-7*
2	2	13	15.5	26.5	1000	9-C2423-22-0-7
2	3	13	17.0	28.0	1000	9-C2423-23-0-7
2	4	13	18.5	29.5	1000	9-C2423-24-0-7
2	5	13	20.0	31.0	1000	9-C2423-25-0-7
2	6	13	10.0	21.0	1000	9-C2423-26-0-7
2	7	13	10.0	21.0	1000	9-C2423-27-0-7
2	8	13	10.0	21.0	1000	9-C2423-28-0-7
3	1	14	14.0	25.0	1000	9-C2423-31-0-7*
3	2	14	15.5	26.5	1000	9-C2423-32-0-7
3	3	14	17.0	28.0	1000	9-C2423-33-0-7
3	4	14	18.5	29.5	1000	9-C2423-34-0-7
3	5	14	20.0	31.0	1000	9-C2423-35-0-7
3	6	14	10.0	21.0	1000	9-C2423-36-0-7
3	7	14	10.0	21.0	1000	9-C2423-37-0-7
3	8	14	10.0	21.0	1000	9-C2423-38-0-7
4	1	15	14.0	25.0	1000	9-C2423-41-0-7
4	2	15	15.5	26.5	1000	9-C2423-42-0-7*
4	3	15	17.0	28.0	1000	9-C2423-43-0-7
4	4	15	18.5	29.5	1000	9-C2423-44-0-7
4	5	15	20.0	31.0	1000	9-C2423-45-0-7
4	6	15	10.0	21.0	1000	9-C2423-46-0-7
4	7	15	10.0	21.0	1000	9-C2423-47-0-7
4	8	15	10.0	21.0	1000	9-C2423-48-0-7
5	3	16	17.0	28.0	1000	9-C2423-53-0-7

PU = Packaging Unit

Additional information

- Monobloc keeper
- Made of nylon
- Used for multipoint locking bars
- Can suit various profile systems

* Also available in black (-6).

Other references available on demand

Keepers

for Multipoint Locking Bars

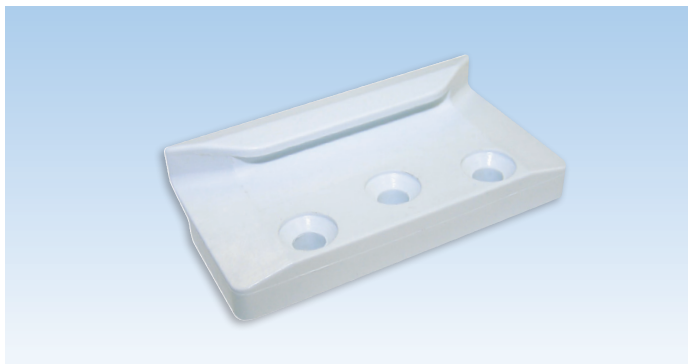


Keeper

Description	Height (mm)	Color	PU	Part Number
Keeper	9.5	White	1000	9-C2311-00-0-0
PU = Packaging Unit				

Additional information

- Made of nylon
- Used for multipoint locking bars

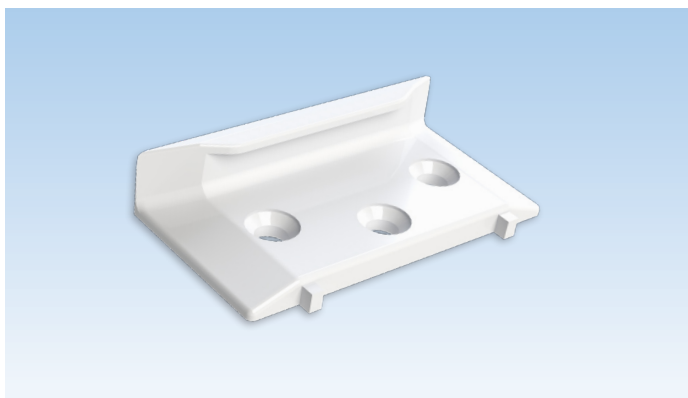


Monobloc Keepers

Description	Height mm	Color	PU	Part Number
Keeper with base 0mm	8	White	1000	9-C2420-00-0-7 A
Keeper with base 2mm	10	White	1000	9-C2420-02-0-7 A
Keeper with base 4mm	12	White	1000	9-C2420-04-0-7 A
PU = Packaging Unit				

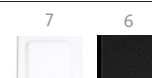
Additional information

- Monobloc keeper
- Made of nylon
- Used for multipoint locking bars
- Can suit various profile systems



Monobloc Keepers for Thermoplast profiles

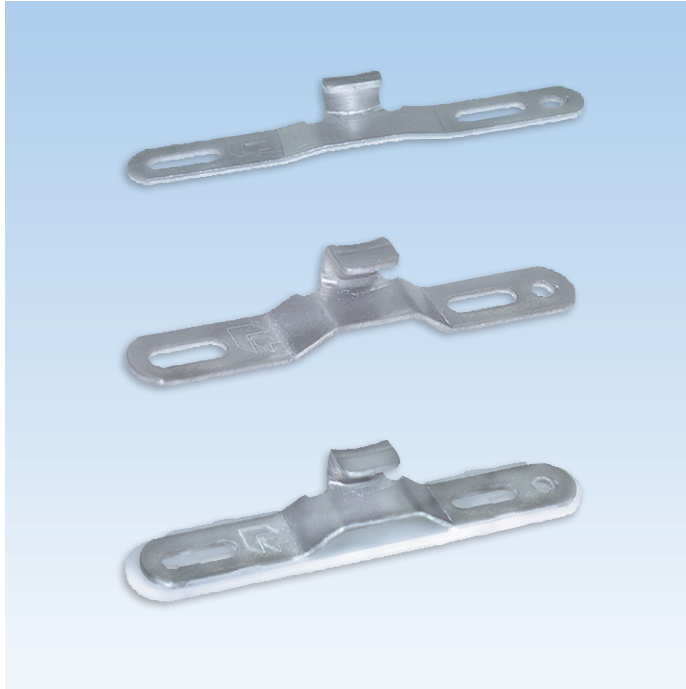
Base	Pos.	Height (C) mm	Dim. (A) mm	Dim. (B) mm	PU	Part Number
0	0	13	14.0	25.5	1000	9-C2423-T0-0-*
*=Colors					PU = Packaging Unit	
7 = White, 6 = Black						



Additional information

- Monobloc keeper for Thermoplast series 4600
- Made of nylon
- Used for multipoint locking bars (6-C2741-XX-0-0)

Single Point Keepers



Single Point Keepers

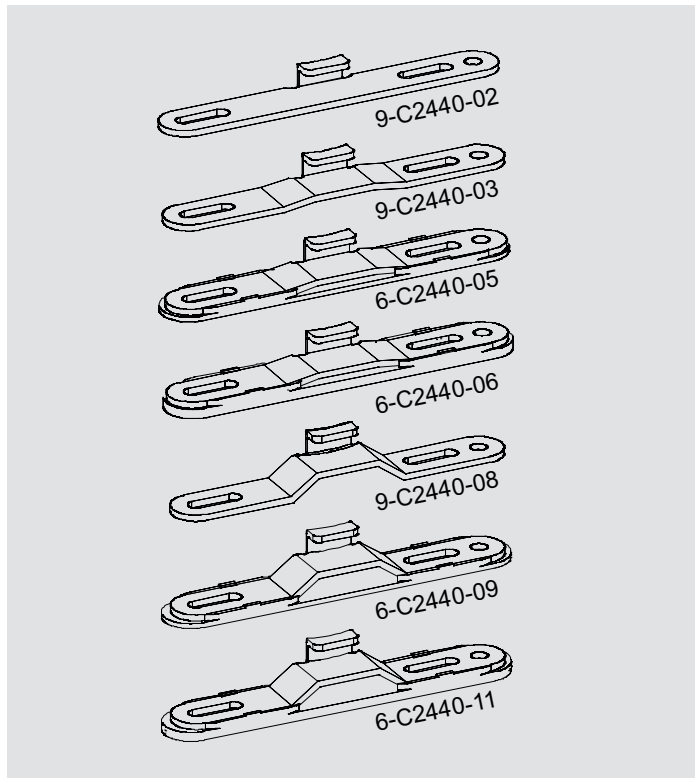
Description	Height mm	PU	Part Number
Keeper	2	100	9-C2440-02-0-8
Keeper	3.5	100	9-C2440-03-0-1
Keeper with nylon shim	5	100	6-C2440-05-0-1
Keeper with nylon shim	6.5	100	6-C2440-06-0-1
Keeper	8	100	9-C2440-08-0-1
Keeper with nylon shim	9.5	100	6-C2440-09-0-1
Keeper with nylon shim	11	100	6-C2440-11-0-1

PU = Packaging Unit

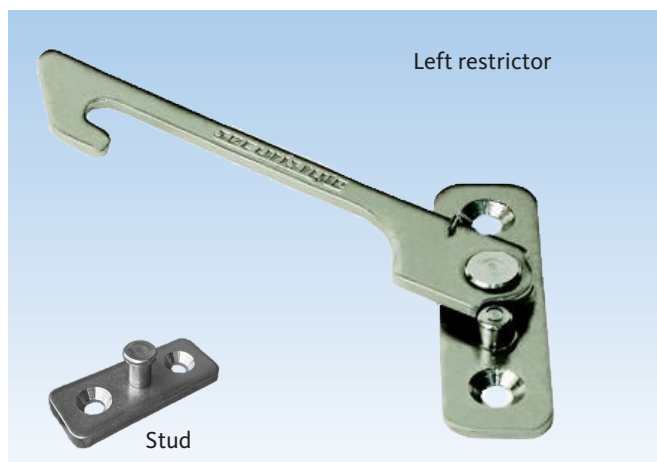
Additional information

- Made of steel plated FerGUard
- Vertical adjustment 12mm
- Anti-slip fixing hole
- Use with locking handles 6-C7011-00-0-* and 6-C6470-00-0-*

02
1



Restrictors



Restrictors

Description	Color	PU	Part Number
66mm opening gap restrictor	SS	25	6-C8659-00-L/R-8B
116mm opening gap restrictor	SS	25	6-C8660-00-L/R-8B
Stud 13mm / 16mm	SS	25	6-C8658-XX-0-8B
PU = Packaging Unit			

Additional information

- Made of 304 Stainless steel
- Easy to fit with no routing
- Compatible with standard duty hinges
- Enhanced corrosion resistance
- Must purchase one restrictor and one stud separately
- Recommended to use of SS screws 9-C9681-00-0-8 or 9-C9686-00-0-8 for installation

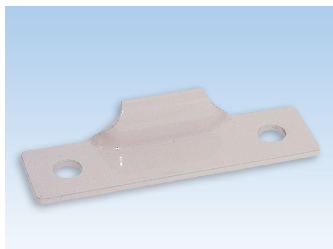


Adjustable Snubber

Description	Color	PU	Part Number
Set of snubber	Zinc	500	6-C9207-00-0-1
PU = Packaging Unit			

Additional information

- Made of steel
- Installs in the hinge cavity
- Used with E-12562 flat head screws
- Adjustable for compression
- Recommended to use of SS screws 9-C9681-00-0-8 or 9-C9686-00-0-8 for installation



Snubber

Description	Color	PU	Part Number
Snubber	Tan	500	9-C9202-09-0-2
	SS	500	9-C9202-09-0-8
PU = Packaging Unit			

Additional information

- Made of painted steel or stainless steel
- Installs in the hinge cavity
- Used with E-12562 flat head screws
- 2 pieces are required for the assembly

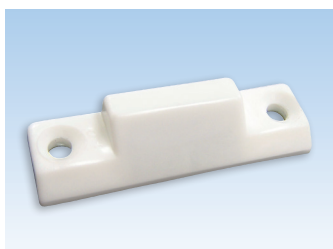


Snubber (exterior)

Description	Color	PU	Part Number
Snubber	White	500	9-C2723-00-0-7
PU = Packaging Unit			

Additional information

- Made of painted steel
- Installs from exterior or in the hinge cavity
- Used with E-12562 flat head screws
- 2 pieces are required for the assembly (option 2)



Wedge

Description	Color	PU	Part Number
10mm run-up block	White	100	9-C3279-10-0-7
PU = Packaging Unit			

Additional information

- Made of nylon



Screws for Hardware Fixing

Description	Dimension mm	Color	PU	Part Number
D1 screws	4.2 x 13	Zinc	1000	E-12562-13-0-1
D1 screws	4.2 x 16	Zinc	1000	E-12562-16-0-1
D1 screws	4.2 x 20	Zinc	1000	E-12562-20-0-1
D1 screws	4.2 x 22	Zinc	1000	E-12562-22-0-1
D1 screws	4.2 x 25	Zinc	1000	E-12562-25-0-1
D1 screws	4.2 x 30	Zinc	1000	E-12562-30-0-1
D1 screws	4.2 x 35	Zinc	1000	E-12562-35-0-1
D1 screws	4.2 x 40	Zinc	1000	E-12562-40-0-1

PU = Packaging Unit

Additional information

- Type D1 with self-drilling spiral point and high duplex thread
- Used for fastening fittings into semi-hard PVC at high speed
- Phillips socket



“No Corrode” Screws for Hardware Fixing

Description	Dimension mm	Color	PU	Part Number
D1 screws	4.2 x 13	Zinc	5000	9-C9911-5M-0-1
D1 screws	4.2 x 16	Zinc	5000	9-C9912-5M-0-1
D1 screws	4.2 x 20	Zinc	5000	9-C9914-5M-0-1
D1 screws	4.2 x 25	Zinc	5000	9-C9916-5M-0-1

* = Color PU = Packaging Unit

Additional information

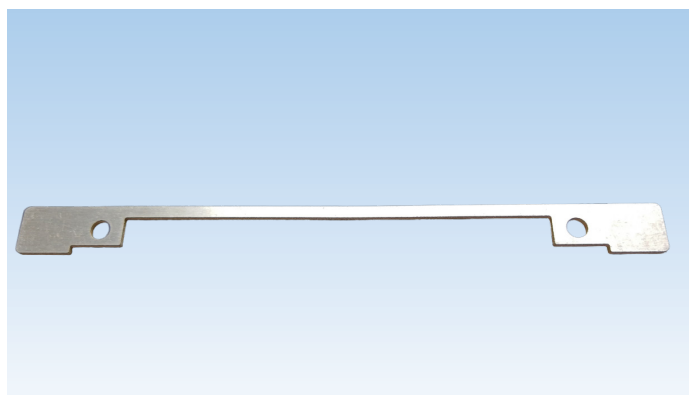
- Type D1 with self-drilling spiral point and high duplex thread
- Used for fastening fittings into semi-hard PVC at high speed
- Robertsons socket



SS Screws			
Description	Color	PU	Part Number
#10 x 5/8" (16mm)	SS	10 000	9-C9681-00-0-8
#10 x 1/2" (13mm)	SS	10 000	9-C9686-00-0-8
PU = Packaging Unit			

Additional information

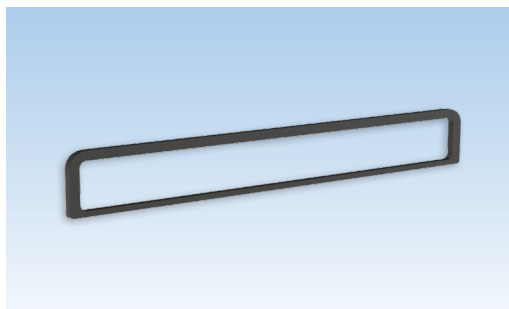
- Stainless steel screws
- Undercut #7 head with "Quadrex" socket
- Sharp tip for quick drive
- Slim head for more clearance
- Special thread design for thin wall profile
- For dual track, awning track, hinge arm, hinge track, surface bracket, 90° bracket, restrictor and adjustable snubber installation



Fixing bracket			
Description	Color	PU	Part Number
Fixing bracket for Operator	Aluminum	1	9-C2341-00-0-1
PU = Packaging Unit			

Additional information

- Made of aluminum
- Used to increase the Operator stability
- Use with Operator for casement and awning windows:
Dyad operator 6-C2332-**-L/R-8
Dual Arm operator 6-C2331-**-L/R-8
Scissor Arm 6-C2340-00-0-8
- Use self-tapping No 8 - 5/8" screws, non-countersunk



Adhesive gasket

Description	Color	PU	Part Number
Operator Replacement Gasket	Black	1	9-C0964-01-0-6
Operator Replacement Gasket	White	1	9-C0964-01-0-7

PU = Packaging Unit

Additional information

- Made of EVA foam



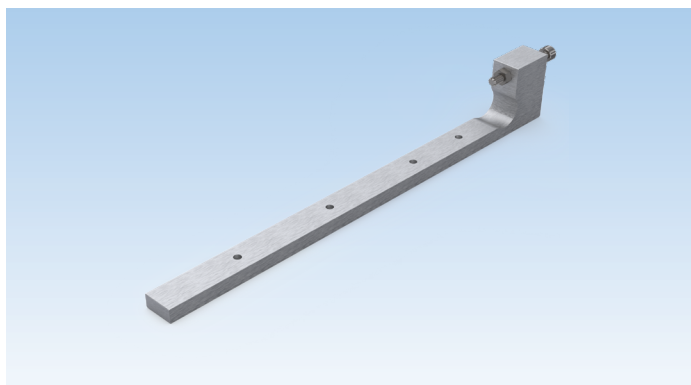
Spacer tab

Description	Color	PU	Part Number
Spacer tab	Black	1	9-C0958-00-0-0

PU = Packaging Unit

Additional information

- Made of ABS
- Use with locking handle FENIX EVO 6-C7030-00-0-*



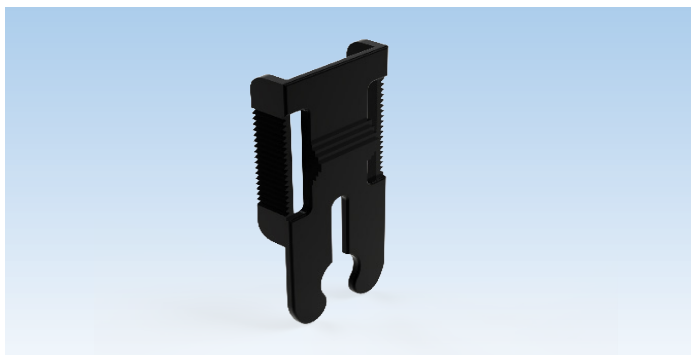
Casement Hinges Jig

Description	PU	Part Number
Casement hinges jig	1	6-C9250-00-0-1

PU = Packaging Unit

Additional information

- Use for casement hinge arms pilot holes on sash
- Includes adjustment screw and nut
- Made of Aluminum



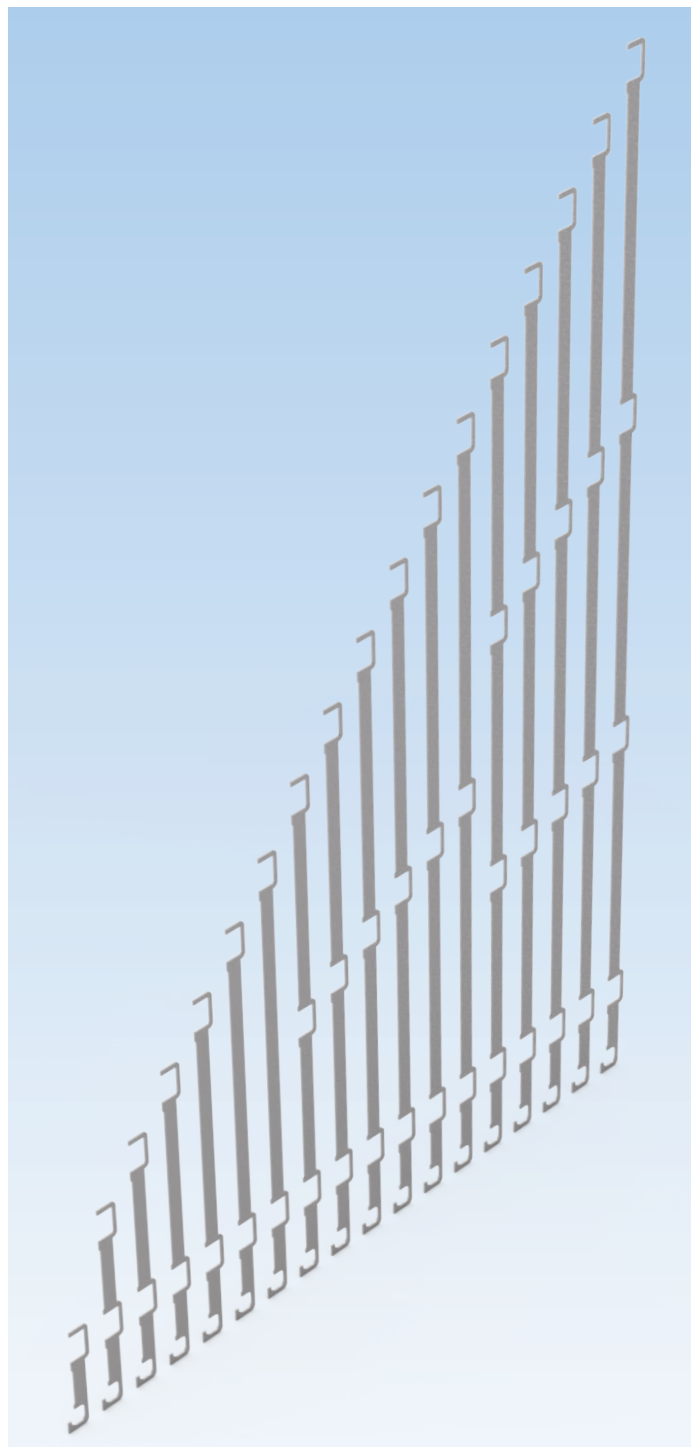
Replacement Clip

Description	PU	Part Number
Replacement Clip	1	9-C2339-00-0-6

PU = Packaging Unit

Additional information

- Clip for Scissor arm operator



Keepers Jig

Description	PU	Part Number
Keepers jig kit	1	K-C9252-22-0-1
PU = Packaging Unit		

Additional information

- Use with multipoint locking bars and keepers
- Sold as a kit (for 180mm-2000mm locking bars)
- Made of galvanized steel
- Jig kits are prepared for a specific profile and components
- When ordering, please add a note with the profile model and list of references



Fenix samples kit

Description	PU	Part Number
Fenix samples kit	1	K-C0230-00-0-0
PU = Packaging Unit		
Additional information		
Kit breakdown		Part Number
Dual Arm Operator	1	6-C2331-00-L-8
Dual Arm Operator short arm	1	6-C2331-MC-L-8
Track for Dual Arm Operator	1	6-C2336-00-0-8
Dyad Operator	1	6-C2332-00-R-8
Dyad Operator short arm	1	6-C2332-MC-R-8
Scissor Arm Operator	1	6-C2340-00-0-8
Track for Scissor Arm Operator	1	6-C2335-01-0-8
90° Bracket	1	6-C2320-00-0-8
Surface mounted Bracket	1	6-C2307-00-L/R-8B
FENIX CLASSIC Removable Cover & Fold-in Handle kit	1	6-C2345-02-A-27
FENIX CLASSIC Removable Cover & Fold-in Handle kit	1	6-C2345-02-B-7
FENIX EVO2 Removable Cover & Fold-in Handle kit	1	6-C2352-00-A-27
FENIX EVO2 Removable Cover & Fold-in Handle kit	1	6-C2352-00-B-7
FENIX EVO2 Removable Cover & Fold-in Handle kit	1	6-C2352-00-A-6V
Casement hinge arm 10"	1	6-C2431-10-A-8B
Casement hinge arm 10"	1	6-C2431-10-B-8B
Track for 10" hinge	1	6-C2480-10-A-8B
Track for 10" hinge	1	6-C2480-10-B-8B
Fenix Classic Locking handle with nylon driving fork	1	6-C7010-35-0-27
Fenix Classic Locking handle with nylon driving fork	1	6-C7010-35-0-7
Fenix Classic Locking handle with zamak driving fork	1	6-C7030-00-0-27
Fenix Classic Locking handle with zamak driving fork	1	6-C7030-00-0-7
Fenix Edge Locking handle with Zamac driving fork	1	6-C6440-35-0-7V
Fenix Edge Locking handle with Zamac driving fork	1	6-C6440-35-0-27V
Fenix Edge Locking handle with Zamac driving fork	1	6-C6440-35-0-6V
Locking Bars with 8mm Cams	1	6-C2700-04-0-0
Reaching Wedge	1	9-C0148-00-A-6
Monobloc Keeper - White	1	9-C2423-T0-0-7
Monobloc Keeper - Black	1	9-C2423-T0-0-6
Adjustable Snubber	1	6-C9207-00-0-1
Fixing bracket for locking handles	1	9-C2720-04-0-0
Fixing bracket for operator	1	9-C2341-00-0-1
Qty = Quantity		



WINDOW TECHNOLOGY
DOOR TECHNOLOGY
AUTOMATIC ENTRANCE SYSTEMS
BUILDING MANAGEMENT SYSTEMS

HEAD OFFICE

Ferco Architectural Hardware Inc.
2000, Berlier St.
Laval, QC H7L 4S4
Tel.: 450 973-1437
1 800 355-8810
Fax: 450 973-7661
ferco@ferco.ca

ONTARIO / WESTERN PROVINCES

Tel.: 905 282-9588
1 800 668-5310
Fax: 905 282-9915

UNITED STATES

Tel.: 1 800 927-1097
Fax: 1 888 454-0161

www.ferco.ca

Edition 05.2022 | Printed in Canada

02
1

Securing technology for you

