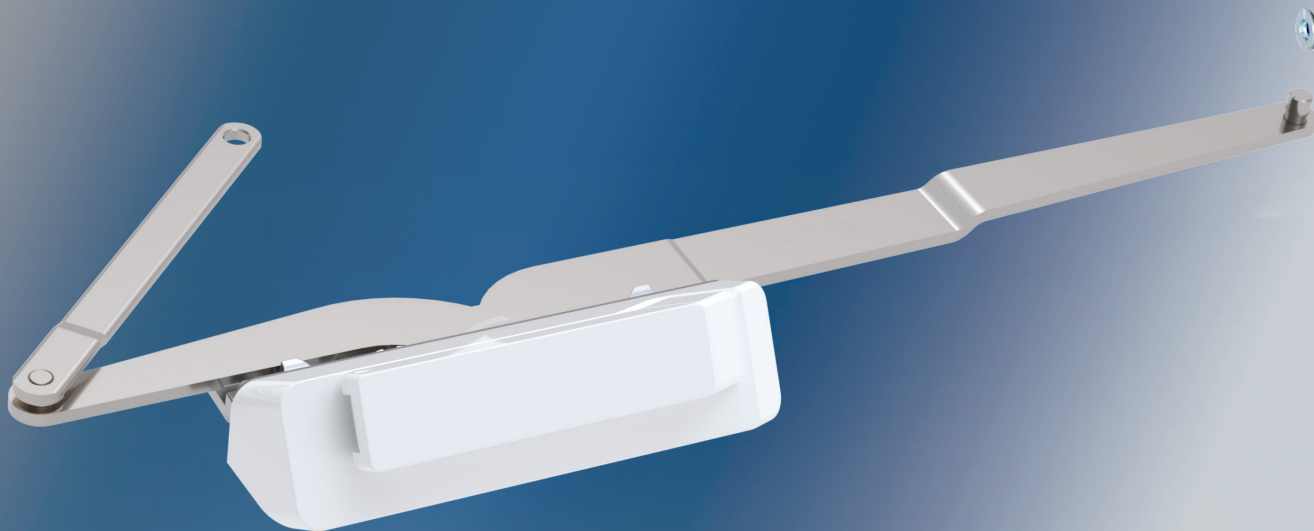


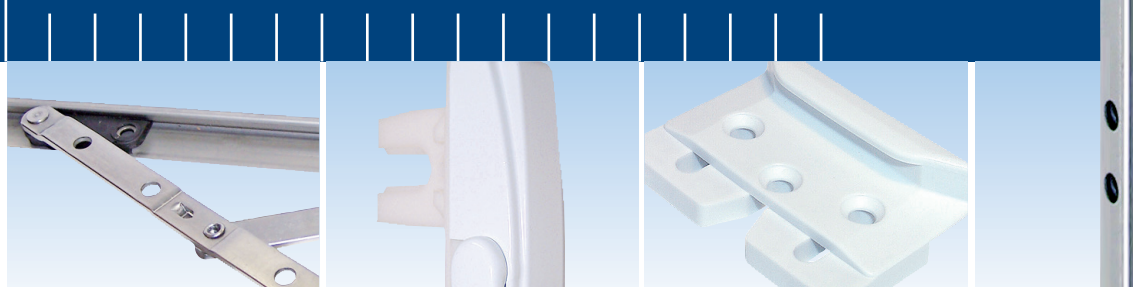


WINDOW TECHNOLOGY
DOOR TECHNOLOGY
AUTOMATIC ENTRANCE SYSTEMS
BUILDING MANAGEMENT SYSTEMS



WINDOW TECHNOLOGY – ORDER CATALOG | SECTION 02.1

Casement & Awning Windows Hardware



Securing technology for you





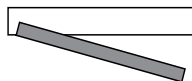
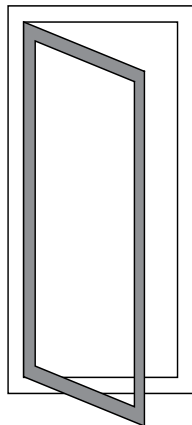
02.1

Casement & Awning Windows Hardware

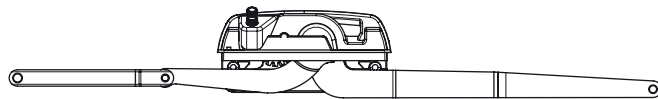
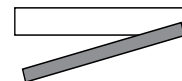
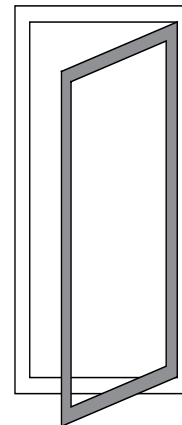
SS Dyad and Dual Arm Operator	02.1.4
Covers & Fold-in Handles	02.1.5
SS Track and Brackets for Casement Operators	02.1.6
Awning SS Operator and Track	02.1.7
Covers & Fold-in Handles	02.1.8
Casement and Awning Hinges	02.1.9
Multipoint Locking Handles.....	02.1.11
Single point Locking Handles	02.1.13
Multipoint Locking Bars & Half Reaching Wedge.....	02.1.14
Guide Shims for Multipoint Locking Bars.....	02.1.19
Keepers for Multipoint Locking Bars	02.1.20
Single Point Keepers	02.1.22
Restrictors	02.1.23
Accessories.....	02.1.24

Left/Right Hand Identification

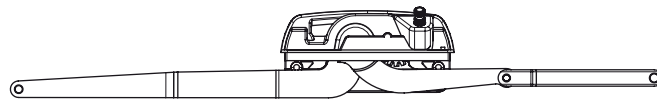
For Casement Window Hardware



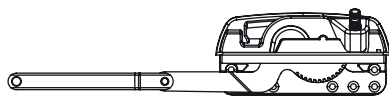
**OUTSWING WINDOWS
(VIEWED FROM OUTSIDE)**



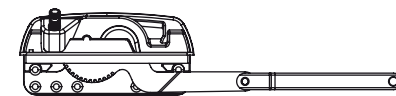
LEFT-HAND DUAL ARM OPERATOR
6-C2331-00-L-8
(use cover kit type A)



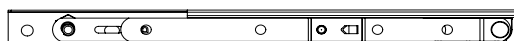
RIGHT-HAND DUAL ARM OPERATOR
6-C2331-00-R-8
(use cover kit type B)



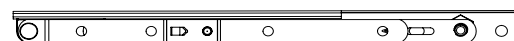
LEFT-HAND DYAD OPERATOR
6-C2332-00-L-8
(use cover kit type B)



RIGHT-HAND DYAD OPERATOR
6-C2332-00-R-8
(use cover kit type A)



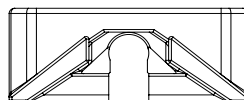
CASEMENT HINGES
6-C2431-XX-A/B-8BA
6-C2480-XX-A/B-8BA
(For this window position, use type **A** at the **top**)



CASEMENT HINGES
6-C2431-XX-A/B-8BA
6-C2480-XX-A/B-8BA
(For this window position, use type **A** at the **bottom**)



HALF REACHING WEDGE (A)
9-C0148-00-A-6



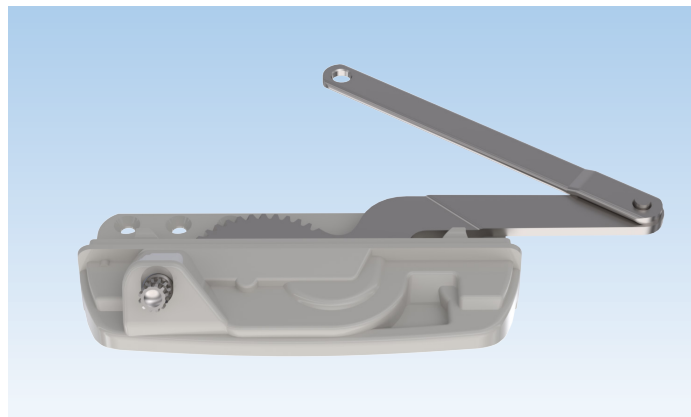
UNIVERSEL WEDGE
9-C0948-00-0-6



HALF REACHING WEDGE (B)
9-C0148-00-B-6

Dyad and Dual Arm Stainless Steel Operators

with Removable Cover and Fold-in Handle

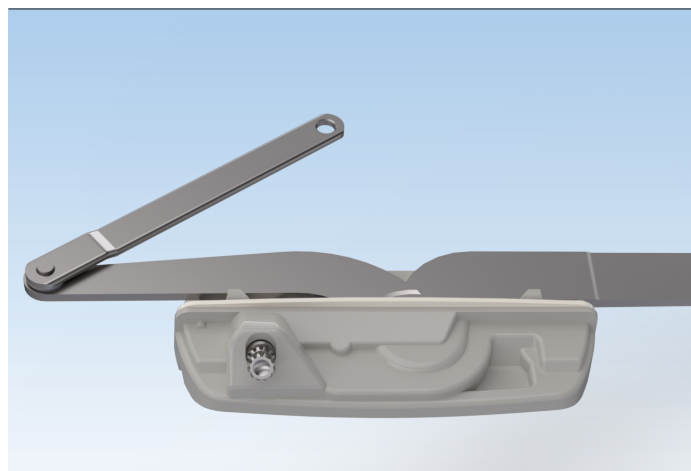


Dyad Operator

Description	Color	PU	Part Number
Operator for casement windows	SS	20	6-C2332-00-L/R-8
Operator for casement windows with short arm	SS	20	6-C2332-MC-L/R-8
L/R = Left-handed/Right-handed		PU = Packaging Unit	

Additional information

- Tempered stainless steel arms
- Powder coated base made of "Zamak"
- Industry standard cutouts
- AAMA Compliant
- Used with covers:
 - left-handed (L) use cover kit type B
 - Right-handed (R) use cover kit type B A



Dual Arm Operator			
Description	Color	PU	Part Number
Operator for casement windows	SS	20	6-C2331-00-L/R-8
Operator for casement windows with short arm	SS	20	6-C2331-MC-L/R-8
L/R = Left-handed/Right-handed		PU = Packaging Unit	

Additional information

- Tempered stainless steel arms
- Powder coated base made of "Zamak"
- Industry standard cutouts
- Minimum frame width 533,4mm (21")
- AAMA Compliant
- Used with covers:
 - left-handed (L) use cover kit type B
 - Right-handed (R) use cover kit type B A



Fixing bracket			
Description	Color	PU	Part Number
Fixing bracket for Operator	Aluminum	1	9-C2341-00-0-1
		PU = Packaging Unit	

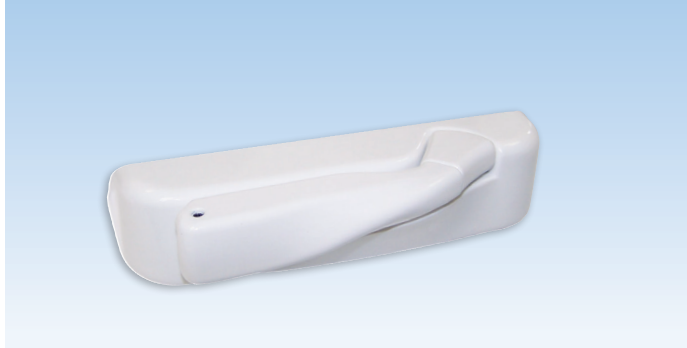
Additional information

- Made of aluminum
- Used to increase the operator stability
- Use with Operator for casement and awning windows:
 - Dyad operator 6-C2332-**-L/R-8
 - Dual Arm operator 6-C2331-**-L/R-8
 - Scissor Arm 6-C2340-00-0-8
- Use self-tapping No 8 - 5/8" screws, non-countersunk (9-C9652-1M-0-1)
- For Thermoplast profile use screw E-12562-20-0-1
- For all other profiles use screw E-12562-16-0-1

02
1

Removable cover and Fold-in Handle

For Casement



FENIX CLASSIC Removable Cover & Fold-in Handle kit

Description	PU	Part Number
Kit type A	100	6-C2345-02-A-*
Kit type B	100	6-C2345-02-B-*
* = Color		PU = Packaging Unit

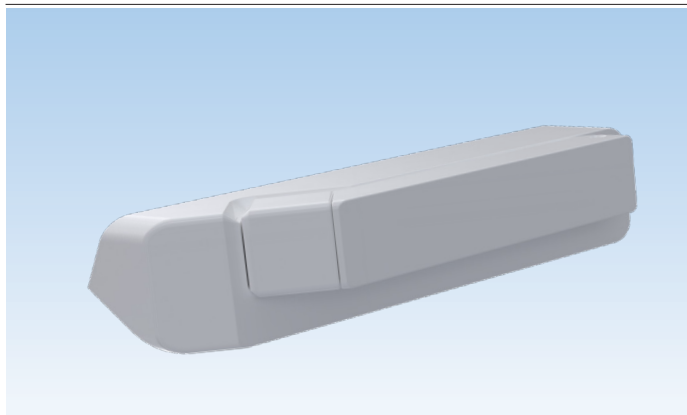
7 = White, 27 = Blue White, 6 = Black



Additional information

- Once the window is closed, the handle folds and snaps into the cover.

02
1



FENIX EVO 2 Removable Cover & Fold-in Handle kit

Description	PU	Part Number
Kit type A	100	6-C2352-00-A-*
Kit type B	100	6-C2352-00-B-*
* = Color		PU = Packaging Unit

7V= Matte White, 27V= Blue White, 6V = Matte Black

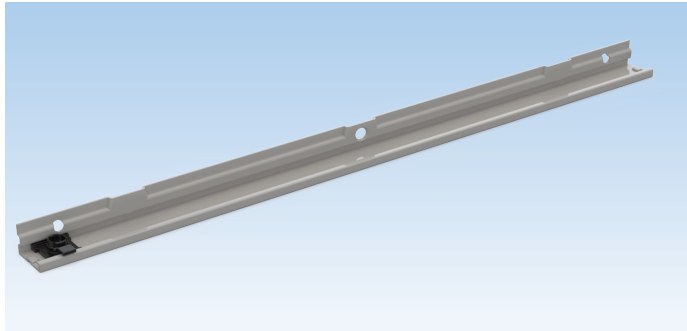


Additional information

- Once the window is closed, the handle folds and snaps into the cover.

Stainless Steel Track and Brackets

For Casement

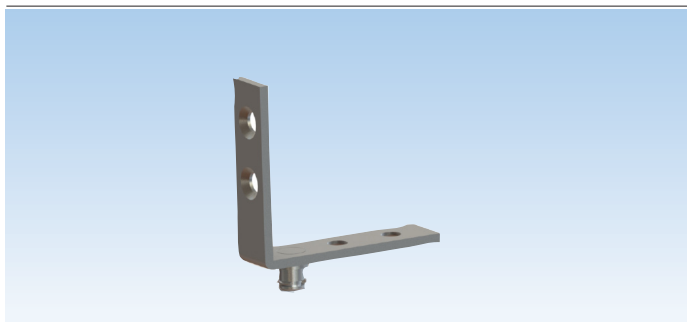


Track for Dual Arm Operator

Description	Color	PU	Part Number
Track with slider guide	SS	100	6-C2336-00-0-8
Short Track with slider guide	SS	100	6-C2336-MC-0-8
PU = Packaging Unit			

Additional information

- Made of stainless steel
- Recommended to use SS screws 9-C9681-00-0-8 or 9-C9686-00-0-8 for installation



90° Bracket

Description	Color	PU	Part Number
Bracket for casement operators	SS	200	6-C2320-00-0-8
PU = Packaging Unit			

Additional information

- Made of stainless steel
- Snap-on pivot
- Recommended to use SS screws 9-C9681-00-0-8 or 9-C9686-00-0-8 for installation



Surface mounted stud bracket

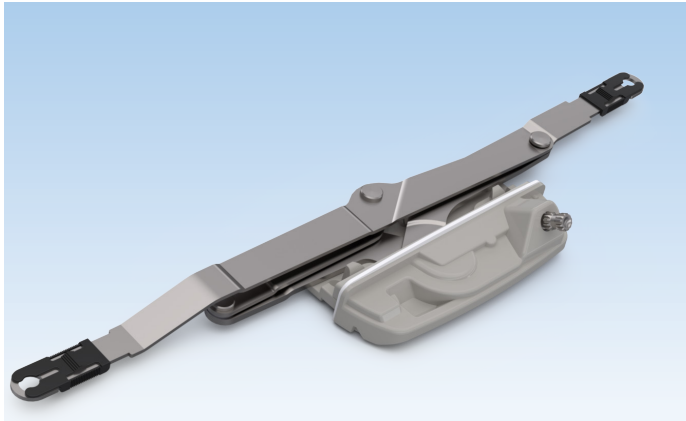
Description	Color	PU	Part Number
25 mm stud bracket	SS	200	6-C2307-00-L/R-8B
PU = Packaging Unit			

Additional information

- Made of stainless steel
- Snap-on pivot
- Recommended to use SS screws 9-C9681-00-0-8 or 9-C9686-00-0-8 for installation

Awning Stainless Steel Operator

For Awning



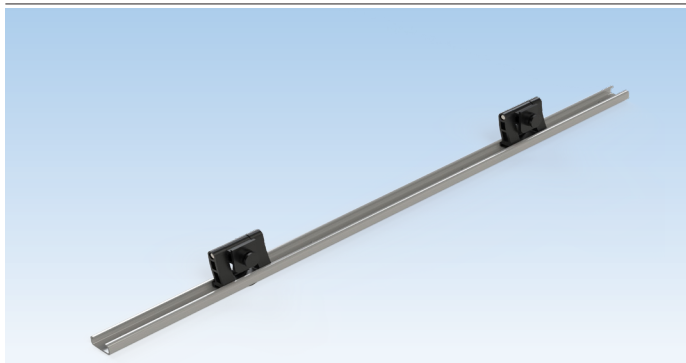
Scissor Arm Operator

Description	Color	PU	Part Number
Operator for awning windows	Tan	20	6-C2340-00-0-8
PU = Packaging Unit			

Additional information

- Tempered stainless steel arms
- Powder coated base made of "Zamak"
- Industry standard cutouts
- AAMA Compliant
- Used with cover kit type A

02
1

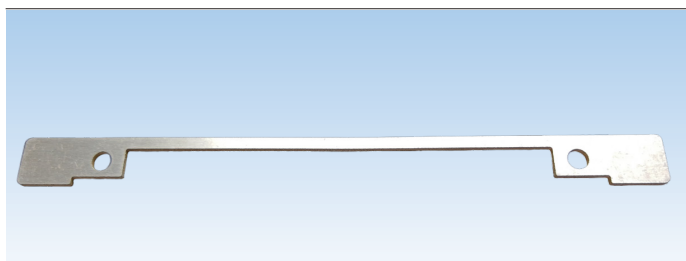


Track for Scissor Arm Operator

Description	Color	PU	Part Number
Track with slider guides	SS	100	6-C2335-01-0-8
PU = Packaging Unit			

Additional information

- Made of stainless steel
- Two slider guides included
- Recommended to use SS screws 9-C9681-00-0-8 or 9-C9686-00-0-8 for installation

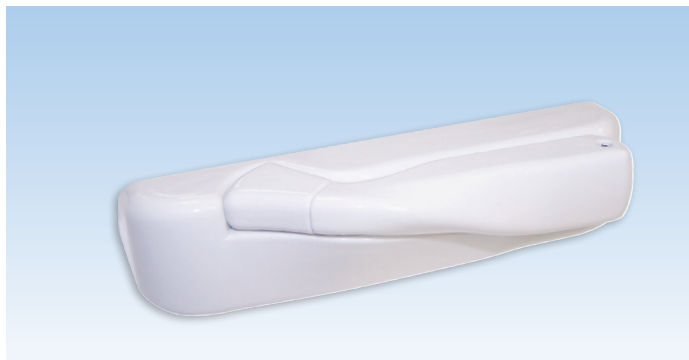


Fixing bracket

Description	Color	PU	Part Number
Fixing bracket for Operator	Aluminum	1	9-C2341-00-0-1
PU = Packaging Unit			

Additional information

- Made of aluminum
- Used to increase the Operator stability
- Use with Operator for casement and awning windows:
 - Dyad operator 6-C2332-**-L/R-8
 - Dual Arm operator 6-C2331-**-L/R-8
 - Scissor Arm 6-C2340-00-0-8
- For Thermoplast profiles use screw E-12562-20-0-1
- For all other profiles use screw E-12562-16-0-1



FENIX CLASSIC Removable Cover & Fold-in Handle kit

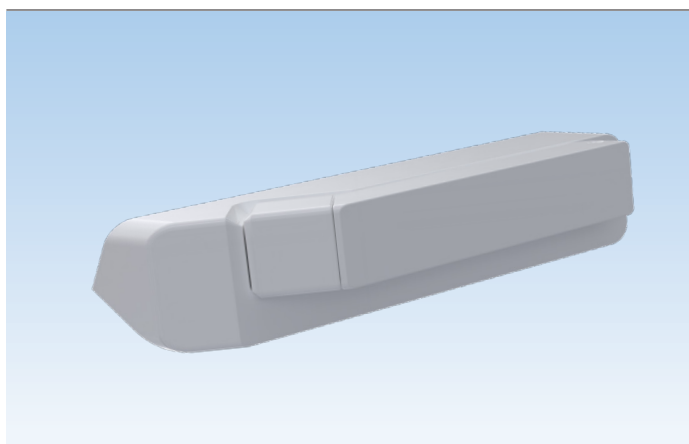
Description	PU	Part Number
Kit type A	100	6-C2345-02-A-*
* = Color		PU = Packaging Unit

7 = White, 27 = Blue White, 6 = Black



Additional information

- Once the window is closed, the handle folds and snaps into the cover.



FENIX EVO 2 Removable Cover & Fold-in Handle kit

Description	PU	Part Number
Kit type A	100	6-C2352-00-A-*
* = Color		PU = Packaging Unit

7V= Matte White, 27V= Matte Blue White, 6V = Matte Black



Additional information

- Once the window is closed, the handle folds and snaps into the cover.



Standard Snap-on 10" & 14" Adjustable Hinges

Description	Color	PU	Part Number
Casement hinge arm			
Arms for 10" hinge Type A	SS	100	6-C2431-10-A-8BA
Arms for 10" hinge Type B	SS	100	6-C2431-10-B-8BA
Arms for 14" hinge Type A	SS	100	6-C2431-14-A-8BA
Arms for 14" hinge Type B	SS	100	6-C2431-14-B-8BA
Casement hinge track			
Track for 10" hinge Type A	SS	100	6-C2480-10-A-8BA
Track for 10" hinge Type B	SS	100	6-C2480-10-B-8BA
Track for 14" hinge Type A	SS	100	6-C2480-14-A-8BA
Track for 14" hinge Type B	SS	100	6-C2480-14-B-8BA
PU = Packaging Unit			

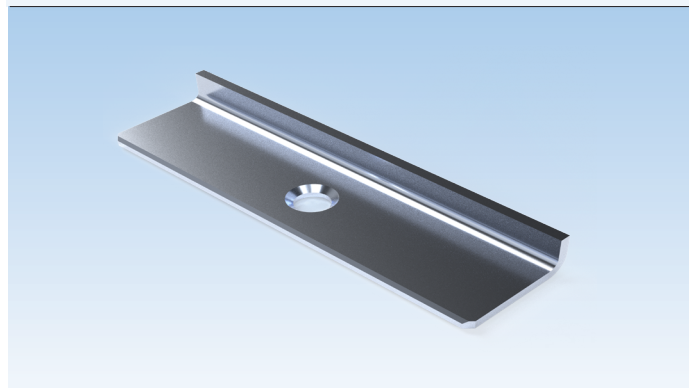
Additional information

- Made of stainless steel
- Solid brass adjustable pivot
- Nylon and stainless steel slide
- Stop point 90°
- Nylatron washer between arms
- AAMA compliant
- Adjustable with hexagonal 13 mm (1/2") (9-C2452-20-0-1) wrench
- Recommended to use SS screws 9-C9681-00-0-8 or 9-C9686-00-0-8 for installation



Egress Snap-on 10" Adjustable Hinges			
Description	Color	PU	Part Number
Casement hinge arm			
Arms for 10" hinge Type A	SS	100	6-C2425-10-A-8BA
Arms for 10" hinge Type B	SS	100	6-C2425-10-B-8BA
Casement hinge track			
Track for 10" hinge Type A	SS	100	6-C2480-10-A-8BA
Track for 10" hinge Type B	SS	100	6-C2480-10-B-8BA
Additional information PU = Packaging Unit			

- Same components as the standard hinges
- Recommended to use SS screws 9-C9681-00-0-8 or 9-C9686-00-0-8 for installation



Hinge stopper			
Description	Color	PU	Part Number
Hinge stopper	Aluminium	100	9-C0283-01-0-1
PU = Packaging Unit			

Additional information

- Made of aluminium
- Recommended for use with egress hinges
- Installation in the hinge track
- Prevents the hinge from opening more than 90° for optimal operation



Fixed Hinges

Description	Color	PU	Part Number
Casement hinge arms auvent			
Arms for 14" hinge Type A	SS	50	6-C2412-14-A-8B
Arms for 14" hinge Type B	SS	50	6-C2412-14-B-8B
Arms for 18" hinge Type A	SS	50	6-C2412-18-A-8B
Arms for 18" hinge Type B	SS	50	6-C2412-18-B-8B
Arms for 22" hinge Type A	SS	50	6-C2412-22-A-8B
Arms for 22" hinge Type B	SS	50	6-C2412-22-B-8B
Arms for 26" hinge Type A	SS	50	6-C2412-26-A-8B
Arms for 26" hinge Type B	SS	50	6-C2412-26-B-8B
Rail for penture auvent			
Track for 14" hinge Type A	SS	50	6-C2455-14-A-8B
Track for 14" hinge Type B	SS	50	6-C2455-14-B-8B
Track for 18" hinge Type A	SS	50	6-C2455-18-A-8B
Track for 18" hinge Type B	SS	50	6-C2455-18-B-8B
Track for 22" hinge Type A	SS	50	6-C2455-22-A-8B
Track for 22" hinge Type B	SS	50	6-C2455-22-B-8B
Track for 26" hinge Type A	SS	50	6-C2455-26-A-8B
Track for 26" hinge Type B	SS	50	6-C2455-26-B-8B

Additional information

- Made of stainless steel
- Solid brass adjustable pivot
- Nylon and stainless steel slide
- Nylatron washer between arms
- AAMA compliant
- Recommended to use SS screws 9-C9681-00-0-8 or 9-C9686-00-0-8 for installation

Locking Handles For Multipoints



FENIX EVO2 Multipoint Locking Handle

Description	PU	Part Number
Locking handle with acetal driving fork	100	6-C7031-00-0-*
* = Color PU = Packaging Unit		

7V= Matte White mat, 27V= Matte Blue White, 6V = Matte Black



Additional information

- Case and handle made of “Zamak”, powder coated finish
- Reversible left hand or right hand
- Self-locking lever
- 50mm locking travel – 180°
- Use with multipoint locking bars FENIX EVO2 (6-C2760 or 6-C2742)
- Mounting bracket 9-C2721-0X-0-6 required (sold separately)

02
1

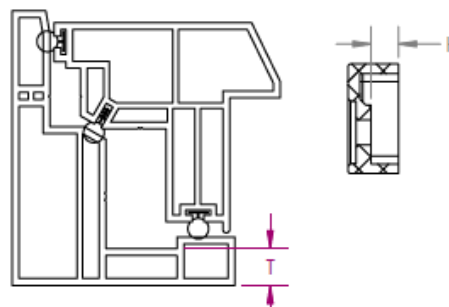


Fixing bracket

Description	Color	PU	Part Number
Fixing bracket for FENIX evo 2 handle	Black	300	9-C2721-00-0-6
			9-C2721-03-0-6
			9-C2721-05-0-6
PU = Packaging Unit			

Additional information

- Made of POM
- Use with locking handle 6-C7031-00-0-*
- Choose fixing bracket following dimension "T" of the profile (see diagram below)
- Also available with a MOQ of 100 units



Reference	H (mm)	T(mm)
9-C2721-00-0-6	0	13.7 mm
9-C2721-03-0-6	2	10.7 mm
9-C2721-05-0-6	4	8.5 - 9 mm

Locking Handles For Multipoints



FENIX CLASSIC Multipoint Locking Handle

Description	Color	PU	Part Number
Locking handle with nylon driving fork	White	100	6-C7010-35-0-7
	Blue White	100	6-C7010-35-0-27
	Black	100	6-C7010-35-0-6
PU = Packaging Unit			

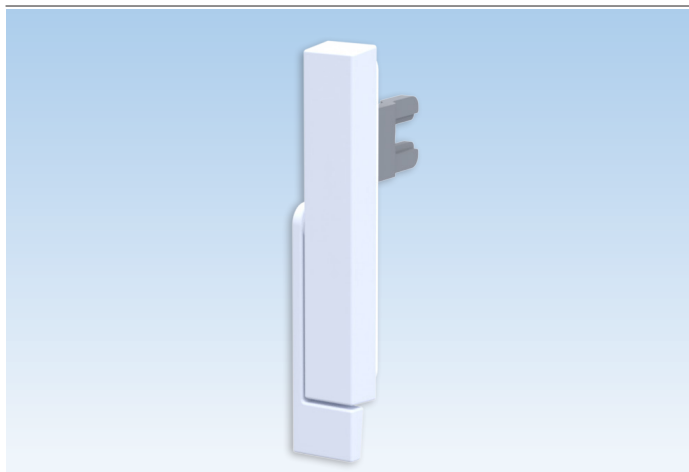
7 = White, 27 = Blue White, 6 = Black



Additional information

- Case and handle made of “Zamak”, baked enamel finish
- 50mm locking travel – 180°
- Reversible left hand or right hand
- Use with multipoint locking bars

02
1



FENIX EDGE Multipoint Locking Handle

Description	Color	PU	Part Number
Locking handle with Zamak driving fork	Matte White	100	6-C6440-35-0-7V
	Matte Blue White	100	6-C6440-35-0-27V
	Black mat	100	6-C6440-35-0-6V
PU = Packaging Unit			

7V= Matte White, 27V= Matte Blue White, 6V = Matte Black



Additional information

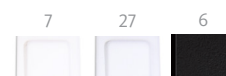
- Case and handle made of “Zamak”, baked enamel finish
- Reversible left hand or right hand
- 50mm locking travel – 180°
- Use with multipoint locking bars



FENIX Half-Moon Multipoint Locking Handle

Description	Color	PU	Part Number
Locking handle with Zamak driving fork	White	100	6-C6430-35-0-7
	Blue White	100	6-C6430-35-0-27
	Black	100	6-C6430-35-0-6
PU = Packaging Unit			

7 = White, 27 = Blue White, 6 = Black



Additional information

- Case and handle made of “Zamak”, baked enamel finish
- Reversible left hand or right hand
- 50mm locking travel – 180°
- Use with multipoint locking bars



FENIX CLASSIC Single Point Locking Handle

Description	Color	PU	Part Number
Locking handle with steel driving fork	White	100	6-C7011-00-0-7
	Blue White	100	6-C7011-00-0-27
PU = Packaging Unit			



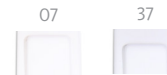
Additional information

- Case and handle made of “Zamak”, baked enamel finish
- Reversible left hand or right hand
- 50mm locking travel – 180°
- Locking reach of 12mm (1/2")
- Use with steel keepers 9-C2440 and 6-C2440



FENIX CLASSIC Single Point Locking Handle

Description	Color	PU	Part Number
Locking handle with opened stop points	White	100	6-C6470-00-0-37
	Blue White	100	6-C6470-00-0-07
PU = Packaging Unit			

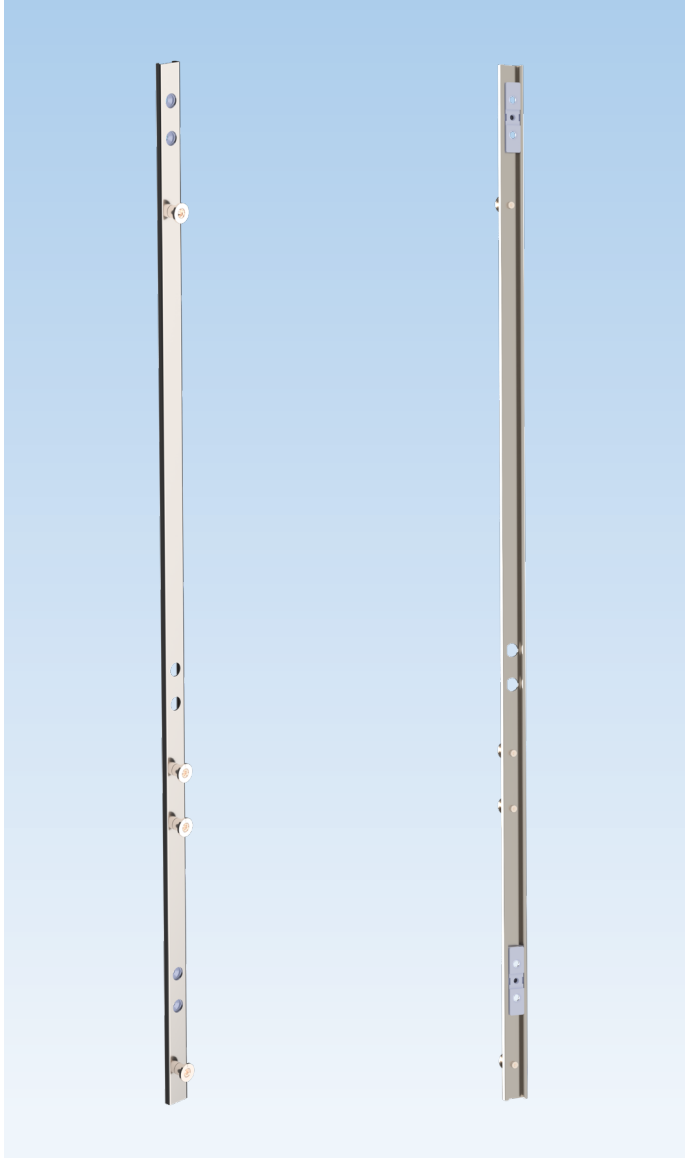


Additional information

- Nylon housing, “Zamak” lever
- Baked enamel finish
- Use with steel keepers 9-C2440 and 6-C2440
- Recommended screws 9-C2451-00-0-1 (bag of de 200)

Multipoint Locking Bars

Series 6-C2760 With additional driving cam for EVO2 locking handle



Locking Bars with 8mm Cams

Dim. (mm)	Dim. (in)	Locking Cam.	PU	Part Number
180	7	1	50	6-C2760-02-0-0
380	15	2	50	6-C2760-04-0-0
500	20	2	50	6-C2760-05-0-0
600	24	2	50	6-C2760-06-0-0
700	28	2	50	6-C2760-07-0-0
800	32	2	50	6-C2760-08-0-0
900	36	2	50	6-C2760-09-0-0
1000	40	3	50	6-C2760-10-0-0
1100	43	3	50	6-C2760-11-0-0
1200	47	3	50	6-C2760-12-0-0
1300	51	3	50	6-C2760-13-0-0
1400	55	3	50	6-C2760-14-0-0
1500	59	3	50	6-C2760-15-0-0
1600	63	4	50	6-C2760-16-0-0
1700	67	4	50	6-C2760-17-0-0
1800*	71	4	10	6-C2760-18-0-0
1900*	75	4	10	6-C2760-19-0-0
2000*	79	4	10	6-C2760-20-0-0

*Available on special orders only

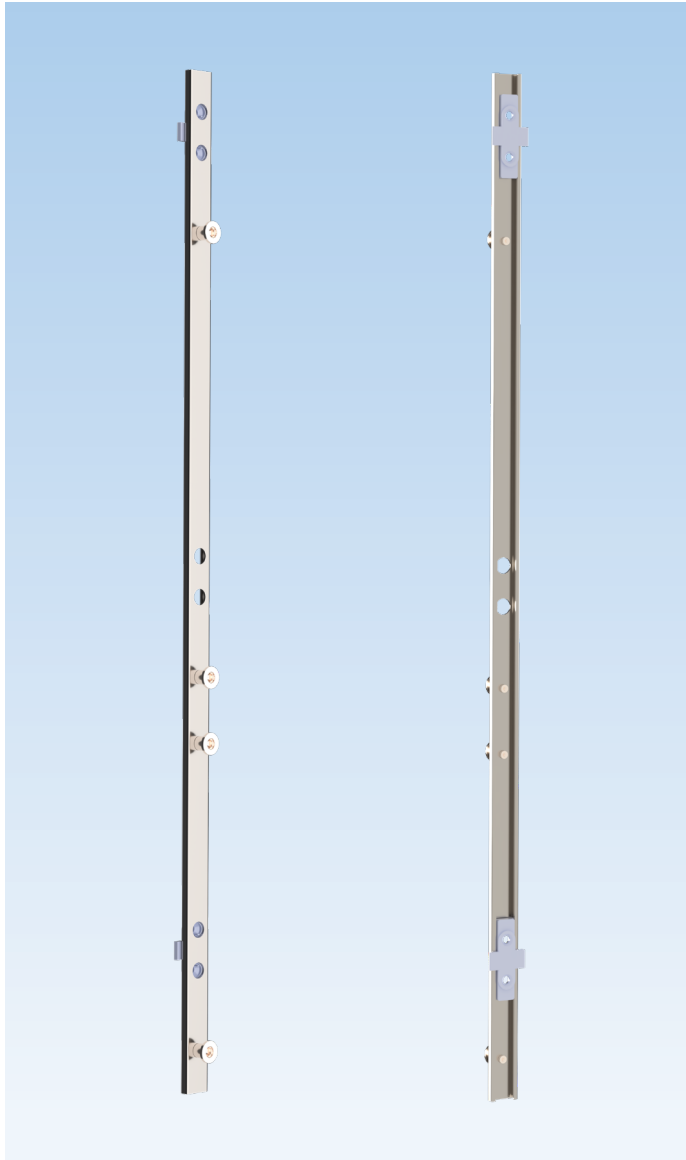
PU = Packaging Unit

Additional information

- Made of stainless steel
- Reinforced nylon glides
- Use with multipoint keepers (Refer to keeper section)
- Use with multipoint locking handles
- Adjustable cams (± 1 mm) with Allen key 4mm
- EVO2 locking handle must be installed between second & third CAM
- Other handles can be installed on first or second cam

Multipoint Locking Bars

Series 6-C2742 For Thermoplast Profiles only, With additional driving cam for EVO2 locking handle



Locking Bars with 8mm Cams

Dim. (mm)	Dim. (in)	Locking Cam.	PU	Part Number
180	7	1	25	6-C2742-02-0-0
380	15	2	25	6-C2742-04-0-0
500	20	2	25	6-C2742-05-0-0
600	24	2	25	6-C2742-06-0-0
700	28	2	25	6-C2742-07-0-0
800	32	2	25	6-C2742-08-0-0
900	36	2	25	6-C2742-09-0-0
1000	40	3	25	6-C2742-10-0-0
1100	43	3	25	6-C2742-11-0-0
1200	47	3	25	6-C2742-12-0-0
1300	51	3	25	6-C2742-13-0-0
1400	55	3	25	6-C2742-14-0-0
1500	59	3	25	6-C2742-15-0-0
1600	63	4	25	6-C2742-16-0-0
1700	67	4	25	6-C2742-17-0-0
1800*	71	4	10	6-C2742-18-0-0
1900*	75	4	10	6-C2742-19-0-0
2000*	79	4	10	6-C2742-20-0-0

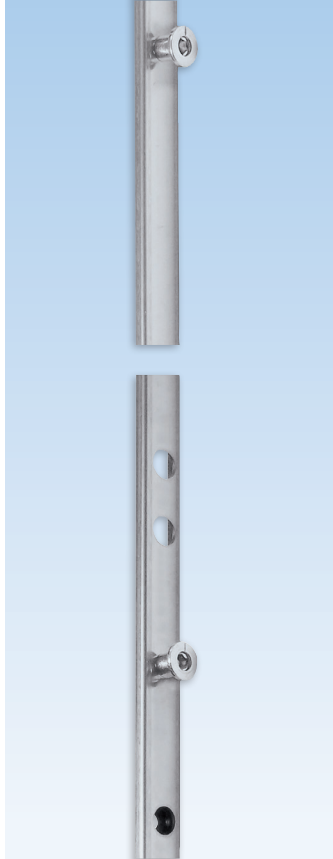
*Available on special orders only PU = Packaging Unit

Additional information

- Made of stainless steel
- Reinforced nylon glides for Thermoplast 4600 series
- Use with multipoint keeper (9-C2423-T0-0-7)
- Use with multipoint locking handles
- Adjustable cams (± 1 mm) with Allen key 4mm
- EVO2 locking handle must be installed between second & third CAM
- Other handles can be installed on first or second cam

Multipoint Locking Bars

Series 6-C2700 for all Profiles



Locking bars with 8mm Cams

Dim. (mm)	Dim. (in)	Locking Cam.	PU	Part Number
180	7	1	50	6-C2700-02-0-0
380	15	2	50	6-C2700-04-0-0
500	20	2	50	6-C2700-05-0-0
600	24	2	50	6-C2700-06-0-0
700	28	2	50	6-C2700-07-0-0
800	32	2	50	6-C2700-08-0-0
900	36	2	50	6-C2700-09-0-0
1000	40	3	50	6-C2700-10-0-0
1100	43	3	50	6-C2700-11-0-0
1200	47	3	50	6-C2700-12-0-0
1300	51	3	50	6-C2700-13-0-0
1400	55	3	50	6-C2700-14-0-0
1500	59	3	50	6-C2700-15-0-0
1600	63	4	50	6-C2700-16-0-0
1700	67	4	50	6-C2700-17-0-0
1800*	71	4	10	6-C2700-18-0-0
1900*	75	4	10	6-C2700-19-0-0
2000*	79	4	10	6-C2700-20-0-0

*Available on special orders only PU = Packaging Unit

02
1

Additional information

- Made of stainless steel
- Reinforced nylon glides
- Use with multipoint keepers (Refer to keeper section)
- Use with multipoint locking handles
- Adjustable cams (± 1 mm) with Allen key 4mm
- Handle can be installed on first or second cam

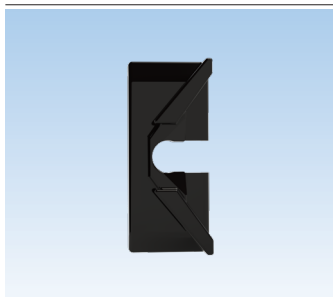


Reaching Wedge			
Description	Color	PU	Part Number
Half reaching wedge	Black	100	9-C0148-00-A/B-6

PU = Packaging Unit

Additional information

- Made of nylon
- Use with multipoint locking bars
- A = used for left hand operator (outside view)
B = used for right hand operator (outside view)
- Refer to page 4 for handling



Universal wedge			
Description	Color	PU	Part Number
Universal wedge	Black	500	9-C0948-00-0-6

PU = Packaging Unit

Additional information

- Made of acetal
- Used for left and right hand operator
- Use with multipoint locking bars
- Position the keeper 16mm higher to accommodate the wedge
- Also available with a MOQ of 100 units

Multipoint Locking Bars

Series 6-C2741 For Thermoplast Profiles Only



Locking bars with 8mm Cams

Dim. (mm)	Dim. (in)	Locking Cam.	PU	Part Number
180	7	1	25	6-C2741-02-0-0
380	15	2	25	6-C2741-04-0-0
500	20	2	25	6-C2741-05-0-0
600	24	2	25	6-C2741-06-0-0
700	28	2	25	6-C2741-07-0-0
800	32	2	25	6-C2741-08-0-0
900	36	2	25	6-C2741-09-0-0
1000	40	3	25	6-C2741-10-0-0
1100	43	3	25	6-C2741-11-0-0
1200	47	3	25	6-C2741-12-0-0
1300	51	3	25	6-C2741-13-0-0
1400	55	3	25	6-C2741-14-0-0
1500	59	3	25	6-C2741-15-0-0
1600	63	4	25	6-C2741-16-0-0
1700	67	4	25	6-C2741-17-0-0
1800*	71	4	10	6-C2741-18-0-0
1900*	75	4	10	6-C2741-19-0-0
2000*	79	4	10	6-C2741-20-0-0

*Available on special orders only PU = Packaging Unit

Additional information

- Made of stainless steel
- Reinforced nylon glides for les séries Thermoplast 4600
- Use with multipoint keeper (9-C2423-T0-0-7)
- Use with multipoint locking handles
- Adjustable cams (± 1 mm) with Allen key 4mm
- Handle can be installed on first or second cam

Multipoint Locking Bars

Series 6-C2715 with additional locking cam



Locking Bars with 8mm Cams

Dim. (mm)	Dim. (in)	Locking Cam.	PU	Part Number
1200	47	4	50	6-C2715-12-0-0
1300	51	4	50	6-C2715-13-0-0
1400	55	4	50	6-C2715-14-0-0
1500	59	4	50	6-C2715-15-0-0
1600	63	5	50	6-C2715-16-0-0
1700*	67	5	50	6-C2715-17-0-0
1800*	71	5	10	6-C2715-18-0-0
1900*	75	5	10	6-C2715-19-0-0
2000*	79	5	10	6-C2715-20-0-0

*Available on special orders only

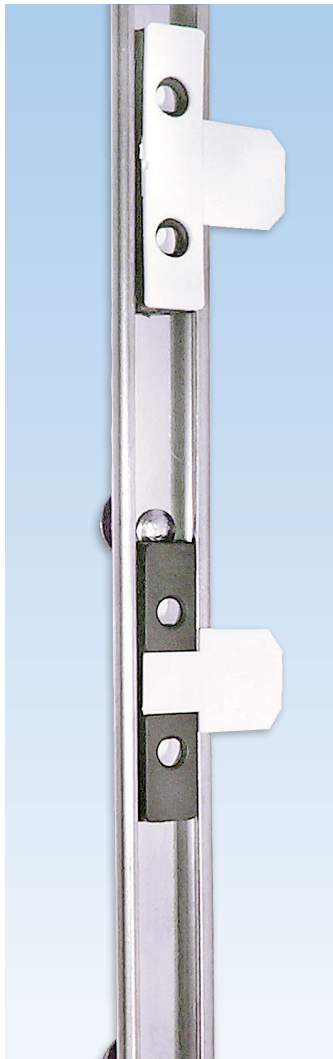
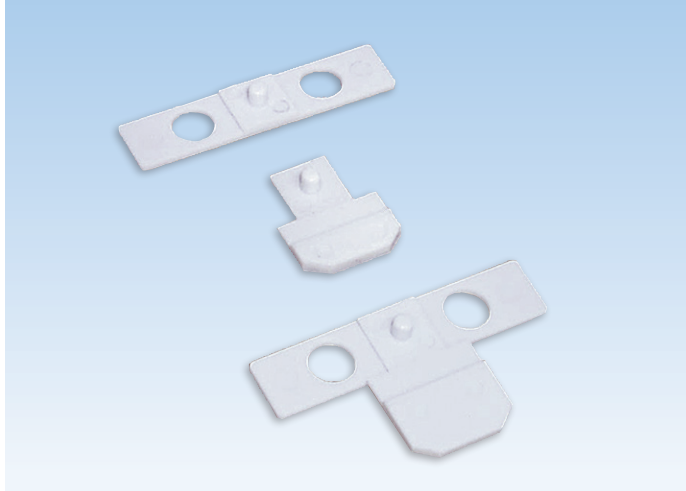
PU = Packaging Unit

Additional information

- Made of stainless steel
- Reinforced nylon glides
- Use with multipoint keepers (Refer to keeper section)
- Use with multipoint locking handles
- Adjustable cams (± 1 mm) with Allen key 4mm
- Handle can be installed on first or second cam

Guide Shims

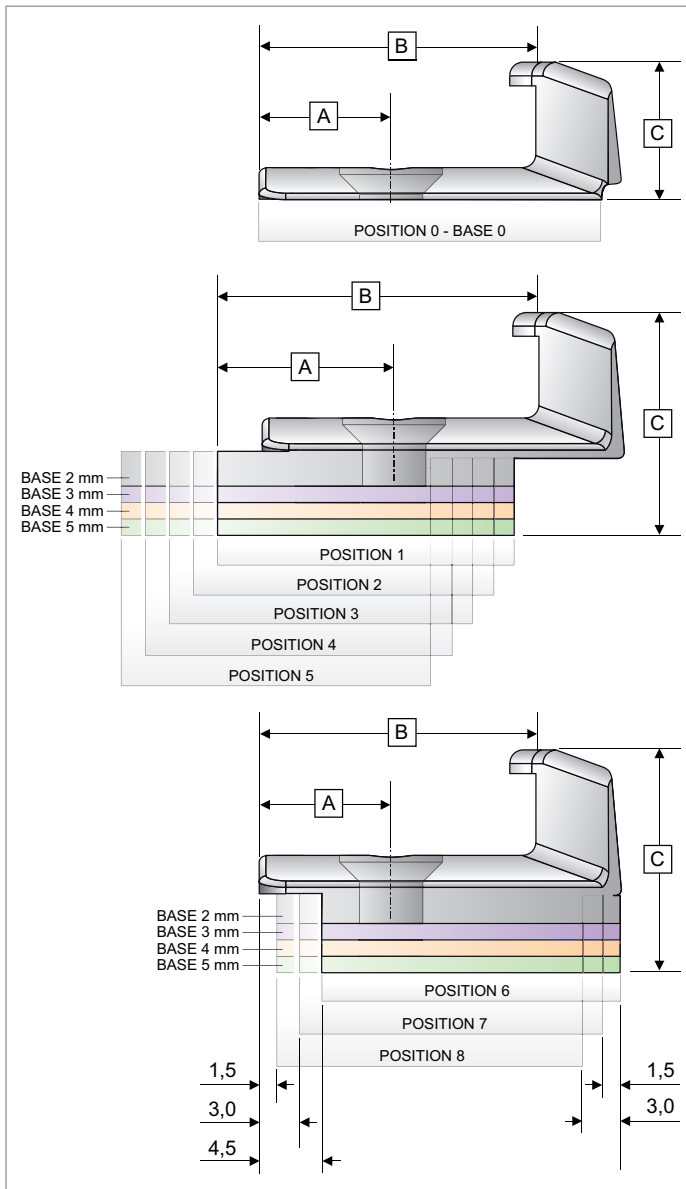
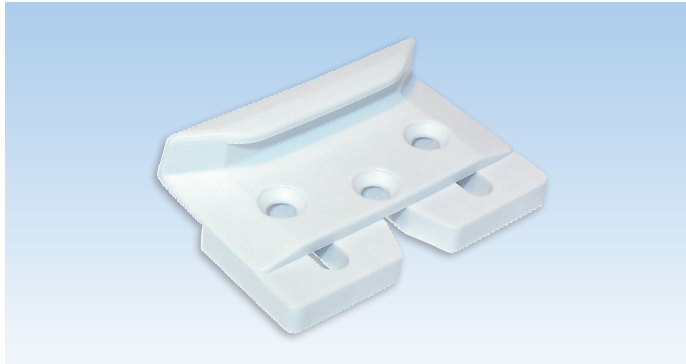
for Multipoint Locking Bars



		THICKNESS		
		0mm	1mm	2mm
SPACE FROM EDGE OF BAR	No Guide Shims		1 - 0 9-C2400-00-1-7	2 - 0 9-C2400-00-2-7
	Guide 6mm Shims	0 - 6 9-C2400-06-0-7	1 - 6 9-C2400-06-1-7	2 - 6 9-C2400-06-2-7
	Guide 7mm Shims	0 - 7 9-C2400-07-0-7	1 - 7 9-C2400-07-1-7	2 - 7 9-C2400-07-2-7
	Guide 8mm Shims	0 - 8 9-C2400-08-0-7	1 - 8 9-C2400-08-1-7	2 - 8 9-C2400-08-2-7
	Guide 9mm Shims	0 - 9 9-C2400-09-0-7	1 - 9 9-C2400-09-1-7	2 - 9 9-C2400-09-2-7
	Guide 10mm Shims	0 - 10 9-C2400-10-0-7	1 - 10 9-C2400-10-1-7	2 - 10 9-C2400-10-2-7
	Guide 11mm Shims	0 - 11 9-C2400-11-0-7	1 - 11 9-C2400-11-1-7	2 - 11 9-C2400-11-2-7
	Guide 12mm Shims	0 - 12 9-C2400-12-0-7	1 - 12 9-C2400-12-1-7	2 - 12 9-C2400-12-2-7

Keepers

For Multipoint Locking Bars



Monobloc Keepers

Base	Pos.	Height (C) mm	Dim. (A) mm	Dim. (B) mm	PU	Part Number
0	0	11	10.0	21.0	1000	9-C2423-00-0-7
2	1	13	14.0	25.0	1000	9-C2423-21-0-7
2	2	13	15.5	26.5	1000	9-C2423-22-0-7
2	3	13	17.0	28.0	1000	9-C2423-23-0-7
2	4	13	18.5	29.5	1000	9-C2423-24-0-7
2	5	13	20.0	31.0	1000	9-C2423-25-0-7
2	6	13	10.0	21.0	1000	9-C2423-26-0-7
2	7	13	10.0	21.0	1000	9-C2423-27-0-7
2	8	13	10.0	21.0	1000	9-C2423-28-0-7
3	1	14	14.0	25.0	1000	9-C2423-31-0-7
3	2	14	15.5	26.5	1000	9-C2423-32-0-7
3	3	14	17.0	28.0	1000	9-C2423-33-0-7
3	4	14	18.5	29.5	1000	9-C2423-34-0-7
3	5	14	20.0	31.0	1000	9-C2423-35-0-7
3	6	14	10.0	21.0	1000	9-C2423-36-0-7
3	7	14	10.0	21.0	1000	9-C2423-37-0-7
3	8	14	10.0	21.0	1000	9-C2423-38-0-7
4	1	15	14.0	25.0	1000	9-C2423-41-0-7
4	2	15	15.5	26.5	1000	9-C2423-42-0-7
4	3	15	17.0	28.0	1000	9-C2423-43-0-7
4	4	15	18.5	29.5	1000	9-C2423-44-0-7
4	5	15	20.0	31.0	1000	9-C2423-45-0-7
4	6	15	10.0	21.0	1000	9-C2423-46-0-7
4	7	15	10.0	21.0	1000	9-C2423-47-0-7
4	8	15	10.0	21.0	1000	9-C2423-48-0-7
5	3	16	17.0	28.0	1000	9-C2423-53-0-7

PU = Packaging Unit

Additional information

- Monobloc Keepers
 - Made of nylon
 - Used for multipoint locking bars
 - Can suit various profile systems
- * Also available in black (-6).
Other references available on demand

Keepers

For Multipoint Locking Bars



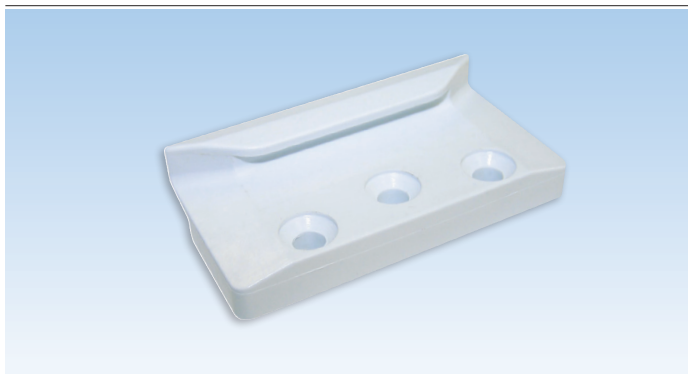
Keeper

Description	Height mm	Color	PU	Part Number
Keeper	9.5	White	1000	9-C2311-00-0-0
PU = Packaging Unit				

Additional information

- Made of nylon
- Used for multipoint locking bars

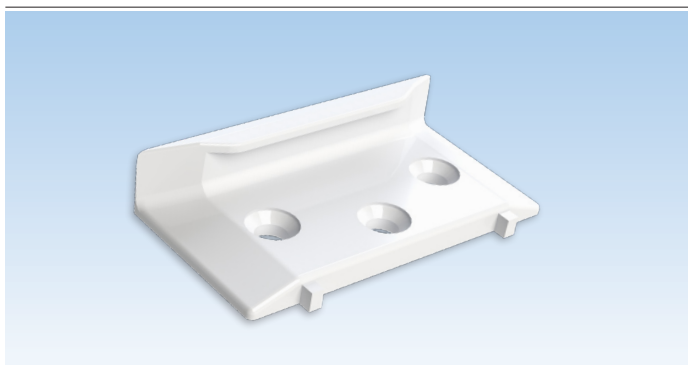
02
1



Monobloc Keepers				
Description	Height mm	Color	PU	Part Number
Keeper with base 0mm	8	White	1000	9-C2420-00-0-7 A
Keeper with base 2mm	10	White	1000	9-C2420-02-0-7 A
Keeper with base 4mm	12	White	1000	9-C2420-04-0-7 A
PU = Packaging Unit				

Additional information

- Made of nylon
- Used for multipoint locking bars
- Can suit various profile systems



Monobloc Keepers						
Base	Pos.	Height (C) mm	Dim. (A) mm	Dim. (B) mm	PU	Part Number
0	0	13	14.0	25.5	1000	9-C2423-T0-0-*
*=Color					PU = Packaging Unit	

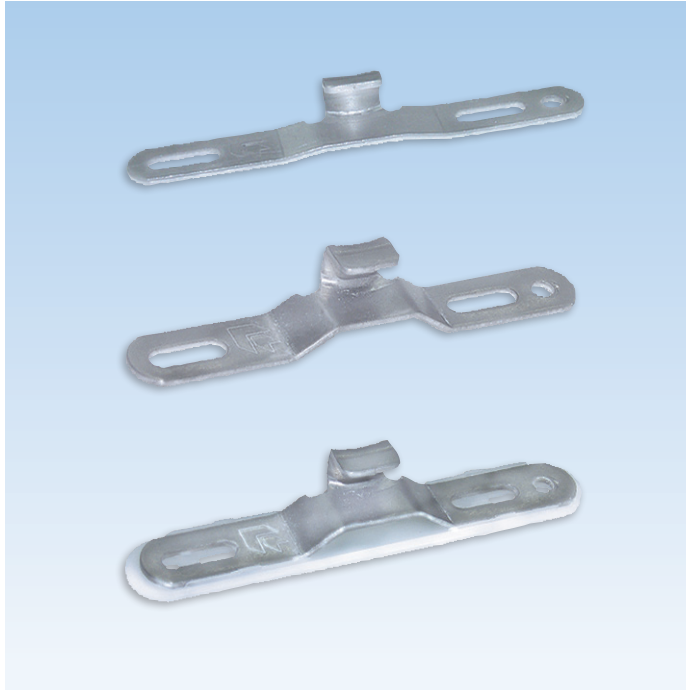
7 = White, 6 = Black



Additional information

- Keeper monobloc for Thermoplast series 4600
- Made of nylon
- Used for multipoint locking bars (6-C2741-XX-0-0)

Single Point Keepers



Single point keepers

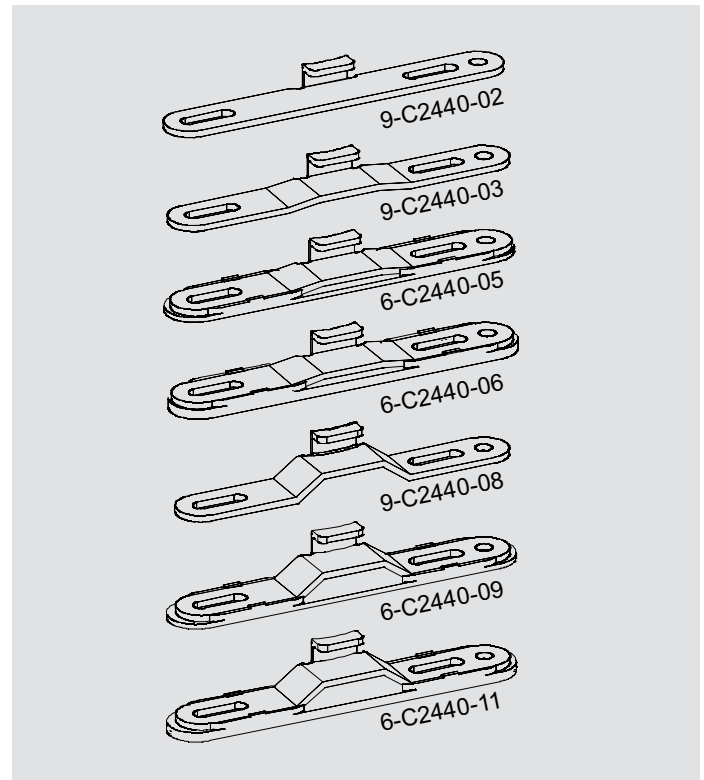
Description	Height mm	PU	Part Number
Keeper	2	100	9-C2440-02-0-8
Keeper	3.5	100	9-C2440-03-0-1
Keeper	8	100	9-C2440-08-0-1
Keeper with nylon shim	11	100	6-C2440-11-0-1

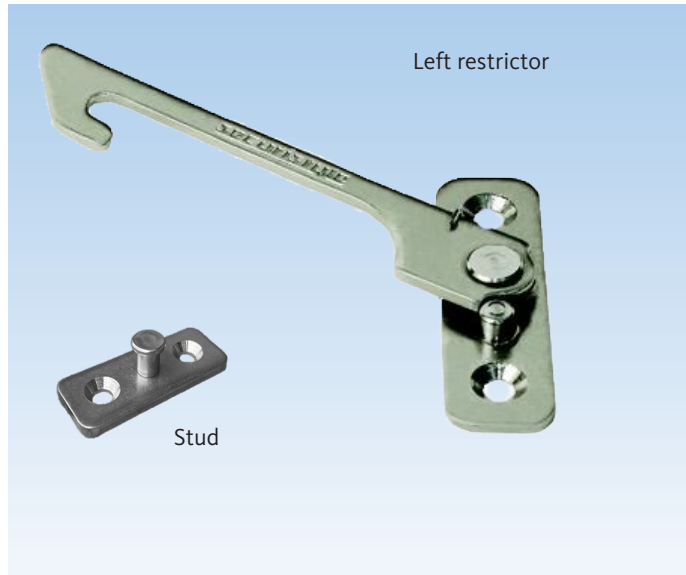
PU = Packaging Unit

Additional information

- Made of steel plated FerGUard (-1) or of stainless steel (-8)
- Vertical adjustment 12 mm
- Anti-slip fixing hole
- Use with locking handles 6-C7011-00-0-* and 6-C6470-00-0-*

02
1





Restrictors

Description	Color	PU	Part Number
66mm opening gap restrictor	SS	25	6-C8659-00-L/R-8B
116mm opening gap restrictor	SS	25	6-C8660-00-L/R-8B
Stud 13mm / 16mm	SS	25	6-C8658-XX-0-8B
PU = Packaging Unit			

Additional information

- Made of stainless steel 304
- Easy to fit with no routing
- Compatible with standard duty hinges
- Enhanced corrosion resistance
- Must purchase one restrictor and one stud separately
- Recommended to use of SS screws 9-C9681-00-0-8 or 9-C9686-00-0-8 for installation

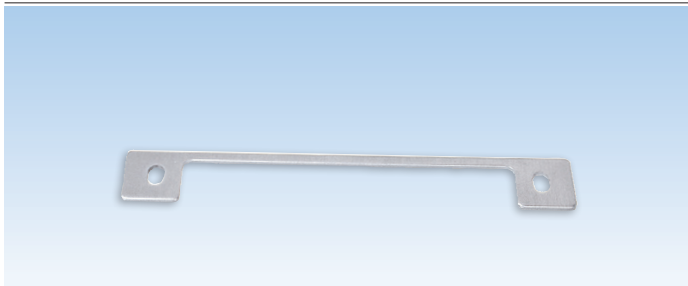


Wafer Head Screws

Description	Color	PU	Part Number
#8 x 1/2" (12mm)	Zinc	200	9-C2451-2C-0-1
PU = Packaging Unit			

Additional information

- #8 zinc plated steel screws
- Phillips socket
- For locking handle installation

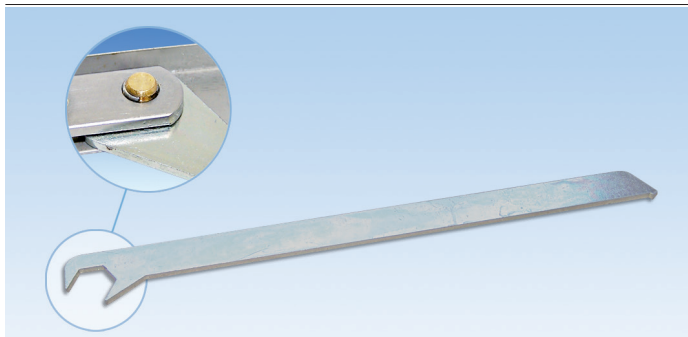


Fixing bracket

Description	Color	PU	Part Number
Fixing bracket for locking handles	Aluminum	1000	9-C2720-04-0-0
PU = Packaging Unit			

Additional information

- Made of aluminum
- Use with locking handles when doing a one-step cut-out:
6-C6430-35-0-*
6-C7010-35-0-*
6-C7011-00-0-*
6-C6440-35-0*

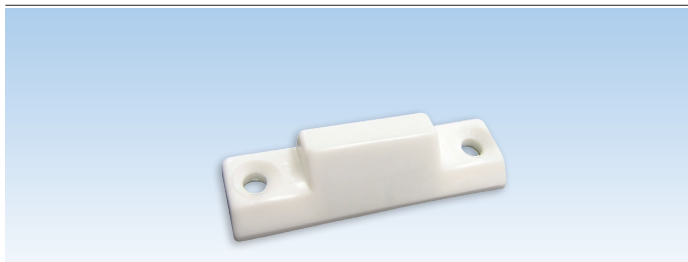


Hexagonal Wrench for hinges

Description	Color	PU	Part Number
13mm (1/2") wrench	Zinc	1	9-C2452-20-0-1
PU = Packaging Unit			

Additional information

- Used to adjust the adjustable hinges

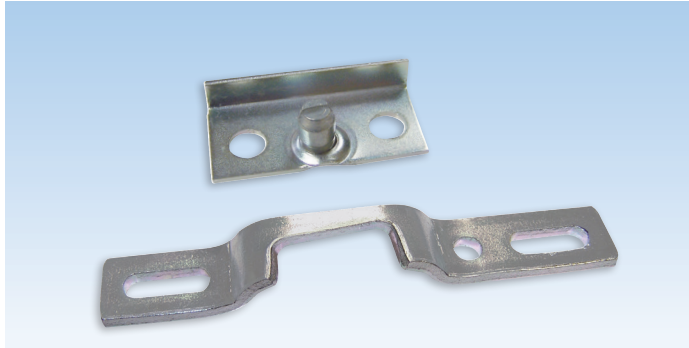


Reaching

Description	Color	PU	Part Number
Reaching Wedge 10mm	White	100	9-C3279-10-0-7
PU = Packaging Unit			

Additional information

- Made of nylon

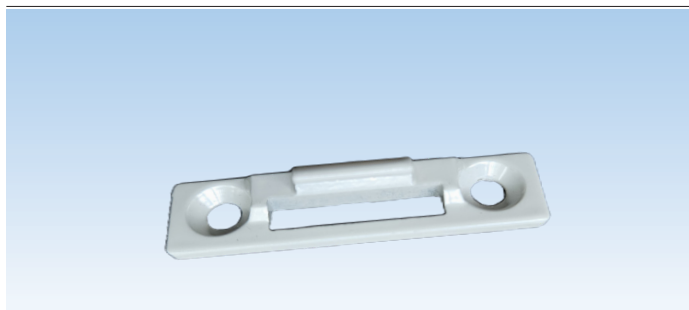


Adjustable Snubber

Description	Color	PU	Part Number
Set of Snubber	Zinc	500	6-C9207-00-0-1
PU = Packaging Unit			

Additional information

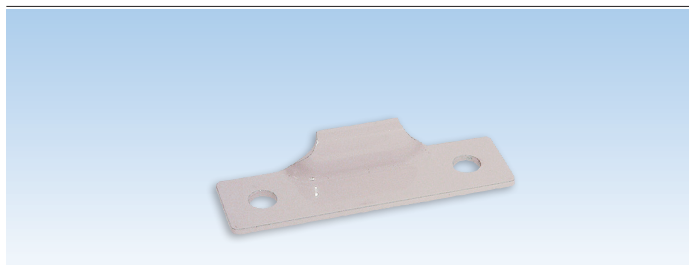
- Made of steel
- Installs in the hinge cavity
- Adjustable for compression
- Recommended to use of SS screws 9-C9681-00-0-8 or 9-C9686-00-0-8 for installation



Snubber			
Description	Color	PU	Part Number
Snubber 9x12x46mm	Grey	1000	9-C9201-00-0-1
PU = Packaging Unit			

Additional information

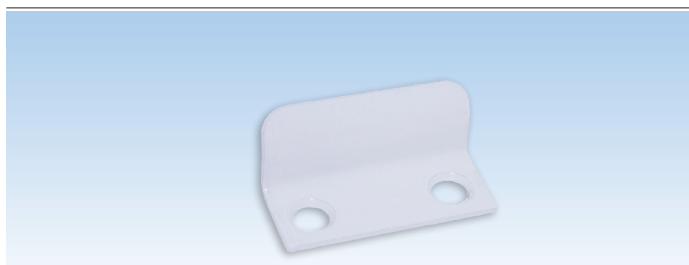
- Made of solid zamac, powder coated paint
- Installs in the hinge cavity
- Used with E-12562 flat head screws
- 2 pieces are required for the assembly
- To be mounted on the tie bar before installing it on the window frame



Snubber			
Description	Color	PU	Part Number
Snubber	Tan	500	9-C9202-09-0-2
	SS	500	9-C9202-09-0-8
PU = Packaging Unit			

Additional information

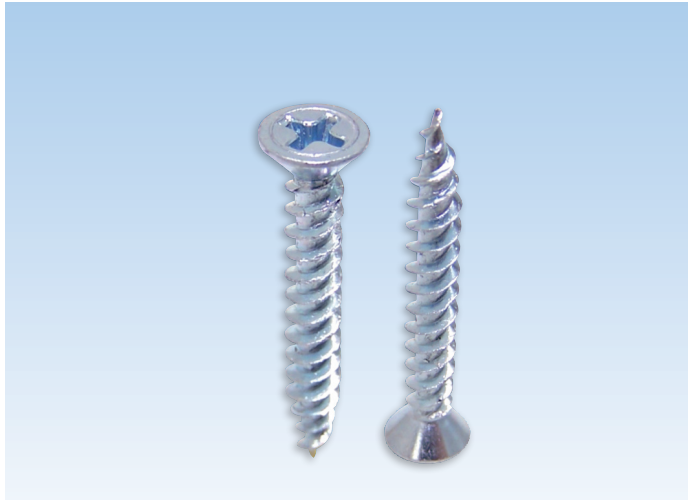
- Made of painted steel or stainless steel
- Installs in the hinge cavity
- Used with E-12562 flat head screws
- 2 pieces are required for the assembly



Snubber (exterior)			
Description	Color	PU	Part Number
Snubber	White	500	9-C2723-00-0-7
PU = Packaging Unit			

Additional information

- Made of painted steel
- Installs from exterior or in the hinge cavity
- Used with E-12562 flat head screws
- 2 pieces are required for the assembly (option 2)



Screws for Hardware Fixing

Description	Dimension mm	Color	PU	Part Number
D1 Screws	4.2 x 13	Zinc	1000	E-12562-13-0-1
D1 Screws	4.2 x 16	Zinc	1000	E-12562-16-0-1
D1 Screws	4.2 x 20	Zinc	1000	E-12562-20-0-1
D1 Screws	4.2 x 22	Zinc	1000	E-12562-22-0-2
D1 Screws	4.2 x 25	Zinc	1000	E-12562-25-0-1
D1 Screws	4.2 x 30	Zinc	1000	E-12562-30-0-1
D1 Screws	4.2 x 35	Zinc	1000	E-12562-35-0-1
D1 Screws	4.2 x 40	Zinc	1000	E-12562-40-0-1

PU = Packaging Unit

Additional information

- Type D1 with self-drilling spiral point and high duplex thread
- Used for fastening fittings into semi-hard PVC at high speed
- Phillips socket



"No Corrode" Screws for Hardware Fixing

Description	Dimension mm	Color	PU	Part Number
D1 Screws	4.2 x 13	Zinc	5000	9-C9911-5M-0-1
D1 Screws	4.2 x 16	Zinc	5000	9-C9912-5M-0-1
D1 Screws	4.2 x 25	Zinc	5000	9-C9916-5M-0-1

PU = Packaging Unit

Additional information

- Type D1 with self-drilling spiral point and high duplex thread
- Used for fastening fittings into semi-hard PVC at high speed
- Robertson socket



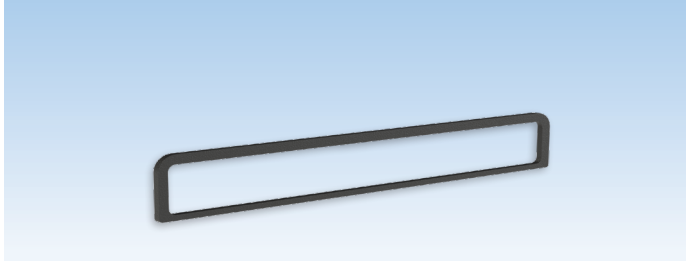
SS Screws

Description	Color	PU	Part Number
#10 x 5/8" (16mm)	SS	10 000	9-C9681-00-0-8
#10 x 1/2" (13mm)	SS	10 000	9-C9686-00-0-8

PU = Packaging Unit

Additional information

- Stainless steel screws
- Undercut #7 head with "Quadrex" socket
- Sharp tip for quick drive
- Slim head for more clearance
- Special thread design for thin wall profile
- For dual track, awning track, hinge arm, hinge track, surface bracket, 90° bracket, restrictor and adjustable snubber installation

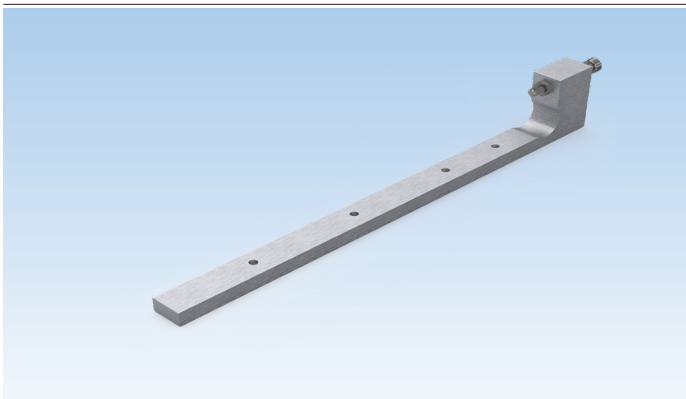


Adhesive gasket

Description	Color	PU	Part Number
Operator Replacement Gasket	Black	1	9-C0964-01-0-6
Operator Replacement Gasket	White	1	9-C0964-01-0-7
PU = Packaging Unit			

Additional information

- Made of EVA

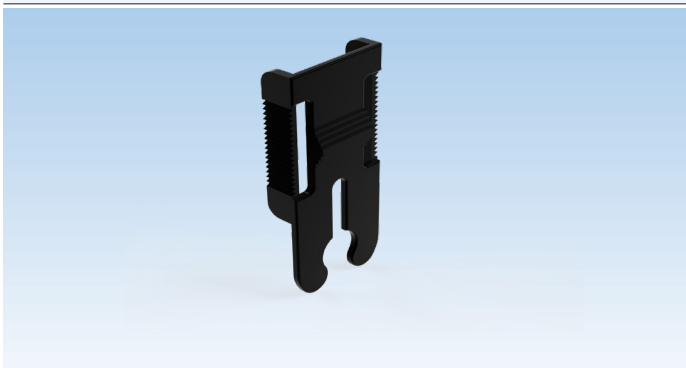


Casement Hinges Jig

Description	PU	Part Number
Casement Hinges Jig	1	6-C9250-00-0-1
PU = Packaging Unit		

Additional information

- Use for casement hinge arms pilot holes on sash
- Includes adjustment screw and nut
- Made of Aluminum

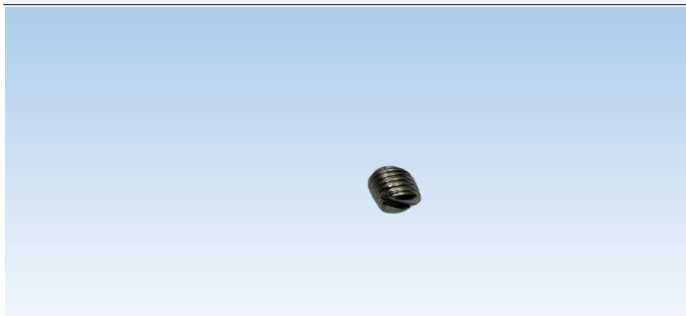


Replacement Clip

Description	PU	Part Number
Remplacement clip	1	9-C2339-00-0-6
PU = Packaging Unit		

Additional information

- Clip for Scissor arm operator

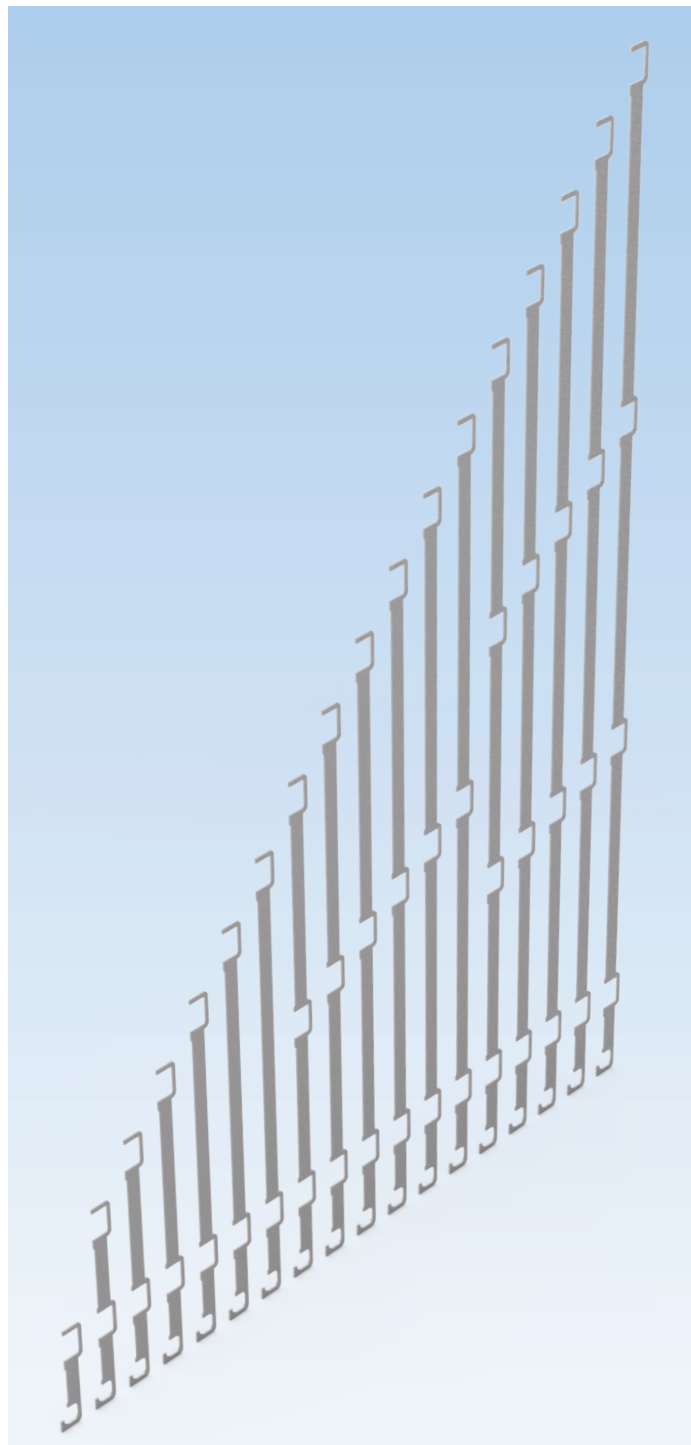


Set Screw

Description	PU	Part Number
Set Screw for operator cover handle	100	9-C0977-07-0-8
PU = Packaging Unit		

Additional information

- Compatible with cover and handle 6-C2345 et 6-C2352



Keepers Jig

Description	PU	Part Number
Keepers Jig Kit	1	K-C9252-22-0-1
PU = Packaging Unit		

Additional information

- Use with multipoint locking bars and keepers
- Sold as a kit (for 180mm-2000mm locking bars)
- Made of galvanized steel
- Jig kits are prepared for a specific profile and components
- When ordering, please add a note with the profile model and list of references



FENIX samples kit White & Black

Description	PU	N° d'article
FENIX samples kit White & Black	1	K-C0230-00-0-7
PU = Packaging Unit		

Additional information

Kit breakdown	PU	N° d'article
Dual Arm Operator	1	6-C2331-00-L-8
Track for Dual Arm Operator	1	6-C2336-00-0-8
Dyad Operator	1	6-C2332-00-R-8
Scissor Arm Operator	1	6-C2340-00-0-8
Track for Scissor Arm Operator	1	6-C2335-01-0-8
90° Bracket	1	6-C2320-00-0-8
Surface mounted Bracket	1	6-C2307-00-L/R-8B
FENIX EVO2 Removable Cover & Fold-in Handle kit Matte Black	1	6-C2352-00-A-6V
Casement hinge arm 10" A	1	6-C2431-10-A-8BA
Casement hinge arm 10" B	1	6-C2431-10-B-8BA
Track for 10" hinge A	1	6-C2480-10-A-8BA
Track for 10" hinge B	1	6-C2480-10-B-8BA
FENIX EVO2 Multipoint 380mm	1	6-C2760-04-0-0
Reaching Wedge A Black	1	9-C0148-00-A-6
Monobloc Keeper White	1	9-C2423-T0-0-7
Monobloc Keeper Black	1	9-C2423-T0-0-6
Adjustable Snubber	1	6-C9207-00-0-1
Fixing bracket for locking handles	1	9-C2720-04-0-0
Mounting bracket 5 x 116MM for FENIX EVO2 Black	1	9-C2721-00-0-6
Mounting bracket 8 x 116MM for FENIX EVO2 Black	1	9-C2721-03-0-6
Mounting bracket 10 x 116MM for FENIX EVO2 Black	1	9-C2721-05-0-6
FENIX CLASSIC Removable Cover & Fold-in Handle kit Black	1	6-C2345-02-B-6
FENIX CLASSIC Removable Cover & Fold-in Handle kit White	1	6-C2345-02-A-7
FENIX EVO2 Removable Cover & Fold-in Handle kit Matte White	1	6-C2352-00-A-7V
FENIX Edge Locking handle with Zamac driving for Matte Black	1	6-C6440-35-0-6V
FENIX EVO2 Locking handle with acetal driving for Matte Black	1	6-C7031-00-0-6V
FENIX Classic Locking handle with zamak driving fork Black	1	6-C6430-35-0-6
FENIX Classic Locking handle with nylon driving fork Black	1	6-C7010-35-0-6
FENIX Classic Locking handle with zamak driving fork White	1	6-C6430-35-0-7
FENIX Classic Locking handle with nylon driving fork White	1	6-C7010-35-0-7
FENIX Edge Locking handle with Zamac driving fork White	1	6-C6440-35-0-7V
FENIX EVO2 Locking handle with acetal driving fork White	1	6-C7031-00-0-7V
PU = Packaging Unit		

**FENIX samples kit White Blue & Black**

Description	PU	N° d'article
FENIX samples kit White Blue & Black	1	K-C0230-00-0-27
PU = Packaging Unit		

Additional information

Kit breakdown	PU	N° d'article
Dual Arm Operator	1	6-C2331-00-L-8
Track for Dual Arm Operator	1	6-C2336-00-0-8
Dyad Operator	1	6-C2332-00-R-8
Scissor Arm Operator	1	6-C2340-00-0-8
Track for Scissor Arm Operator	1	6-C2335-01-0-8
90° Bracket SS	1	6-C2320-00-0-8
Surface mounted Bracket	1	6-C2307-00-L/R-8B
FENIX EVO2 Removable Cover & Fold-in Handle kit Matte Black	1	6-C2352-00-A-6V
Casement hinge arm 10" A	1	6-C2431-10-A-8BA
Casement hinge arm 10" B	1	6-C2431-10-B-8BA
Track for 10" hinge A	1	6-C2480-10-A-8BA
Track for 10" hinge B	1	6-C2480-10-B-8BA
Multipoint 380mm FENIX EVO2	1	6-C2760-04-0-0
Reaching Wedge A Black	1	9-C0148-00-A-6
Monobloc Keeper White	1	9-C2423-T0-0-7
Monobloc Keeper Black	1	9-C2423-T0-0-6
Adjustable Snubber	1	6-C9207-00-0-1
Fixing bracket for locking handles	1	9-C2720-04-0-0
Mounting bracket 5 x 116MM for FENIX EVO2 Black	1	9-C2721-00-0-6
Mounting bracket 8 x 116MM for FENIX EVO2 Black	1	9-C2721-03-0-6
Mounting bracket 10 x 116MM for FENIX EVO2 Black	1	9-C2721-05-0-6
FENIX CLASSIC Removable Cover & Fold-in Handle kit Black	1	6-C2345-02-B-6
FENIX CLASSIC Removable Cover & Fold-in Handle kit Blue White	1	6-C2345-02-A-27
FENIX EVO2 Removable Cover & Fold-in Handle kit Matte Blue White	1	6-C2352-00-A-27V
FENIX Edge Locking handle with Zamac driving fork Matte Black	1	6-C6440-35-0-6V
FENIX EVO2 Locking handle with acetal driving fork Matte Black	1	6-C7031-00-0-6V
FENIX Classic Locking handle with zamak driving fork Black	1	6-C6430-35-0-6
FENIX Classic Locking handle with nylon driving fork Black	1	6-C7010-35-0-6
FENIX ClassicC Locking handle with Zamak driving fork Blue White	1	6-C6430-35-0-27
FENIX Classic Locking handle with nylon driving fork Blue White	1	6-C7010-35-0-27
FENIX Edge Locking handle with Zamac driving fork Matte Blue White	1	6-C6440-35-0-27V
FENIX EVO2 Locking handle with acetal driving fork Matte Blue White	1	6-C7031-00-0-27V
PU = Packaging Unit		



WINDOW TECHNOLOGY
DOOR TECHNOLOGY
AUTOMATIC ENTRANCE SYSTEMS
BUILDING MANAGEMENT SYSTEMS

HEAD OFFICE

Ferco Architectural Hardware Inc
2000, Berlier
Laval, QC H7L 4S4
Canada

T 450 973-1437
1 800 355-8810
F 450 973-7661
ferco@ferco.ca

ONTARIO / WESTERN PROVINCE

Ferco Architectural Hardware Inc.
T 905 282-9588
1 800 668-5310
F 905 282-9915

UNITED STATES

Ferco Architectural Hardware Inc.
T 1 800 927-1097
F 1 888 454-0161

www.ferco.ca

Securing technology for you

