

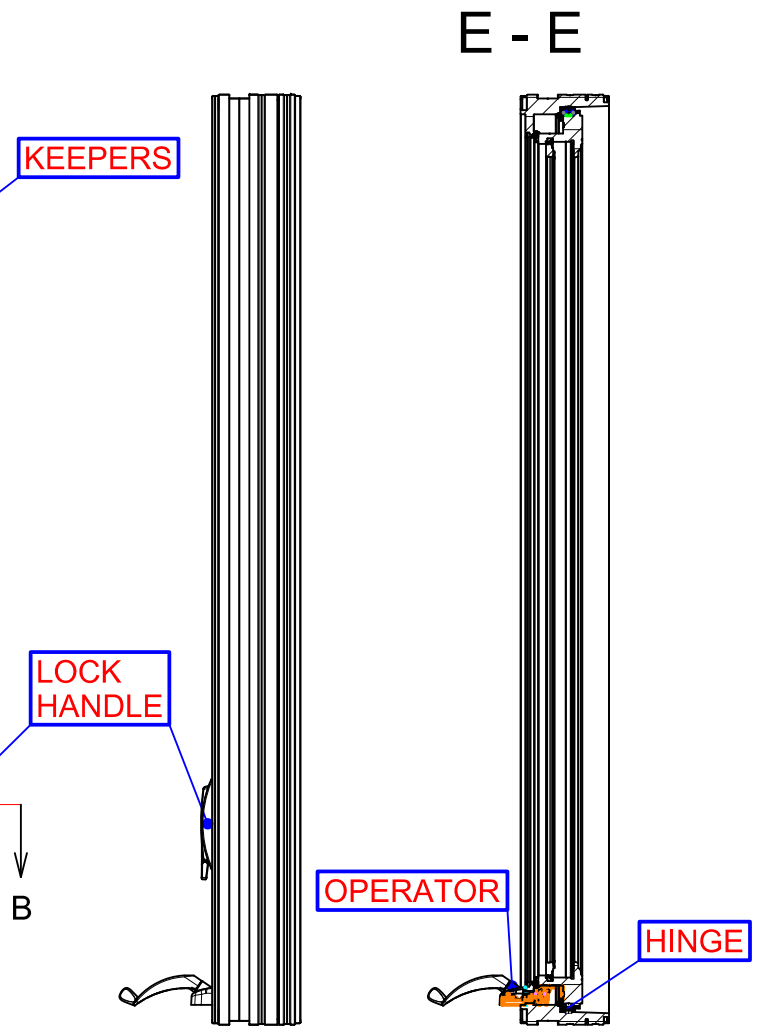
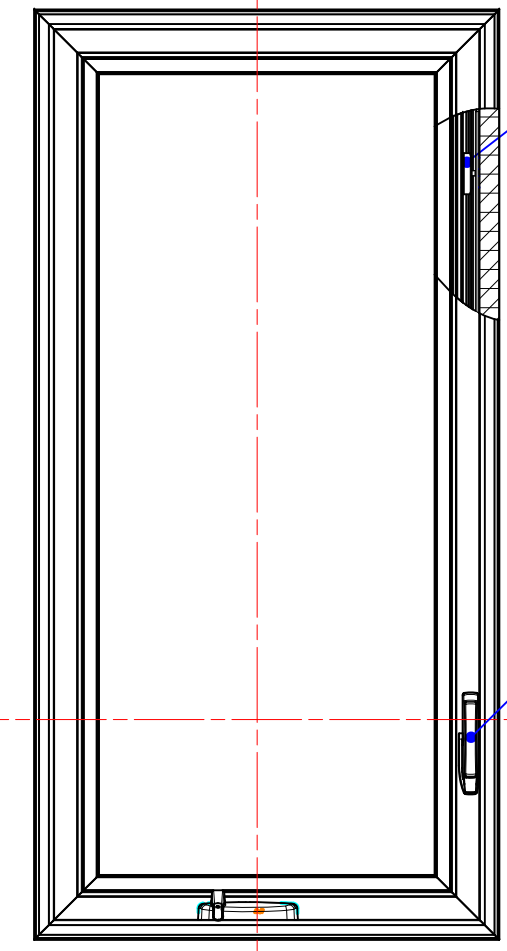
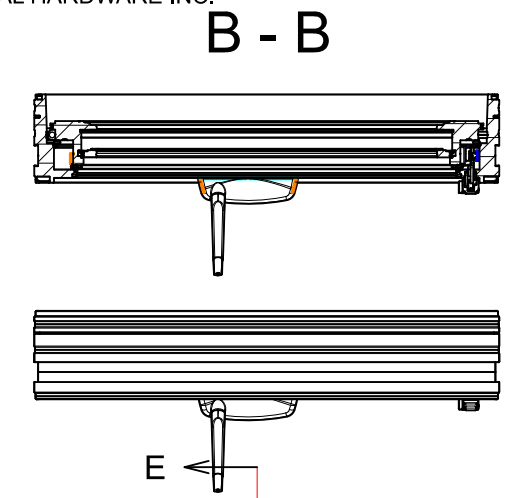
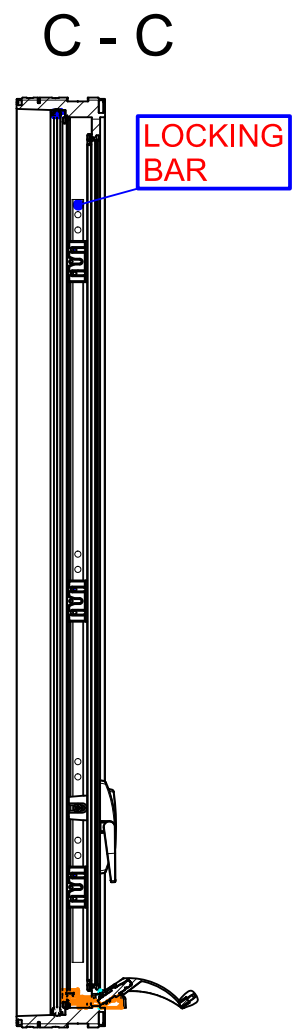
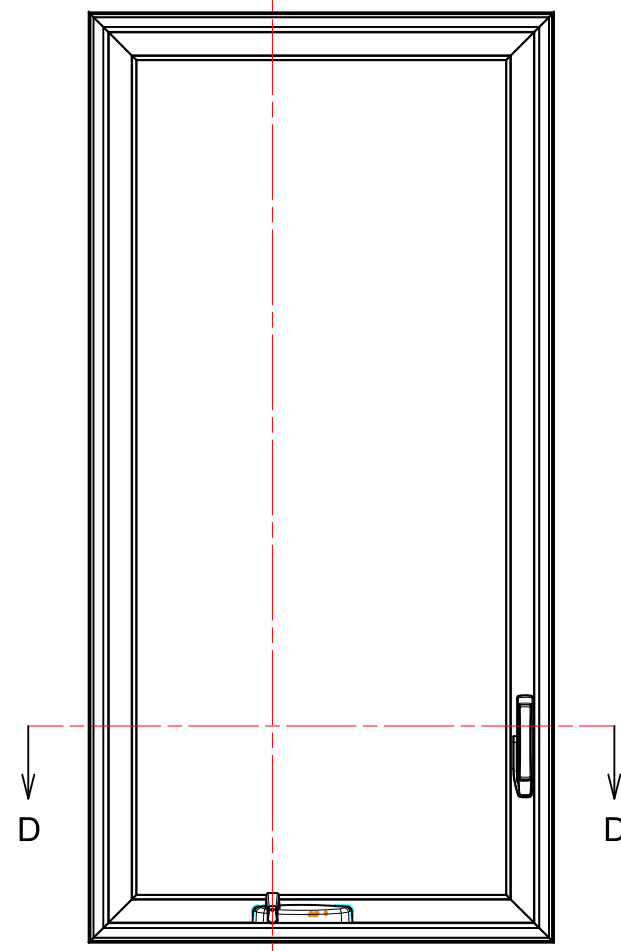
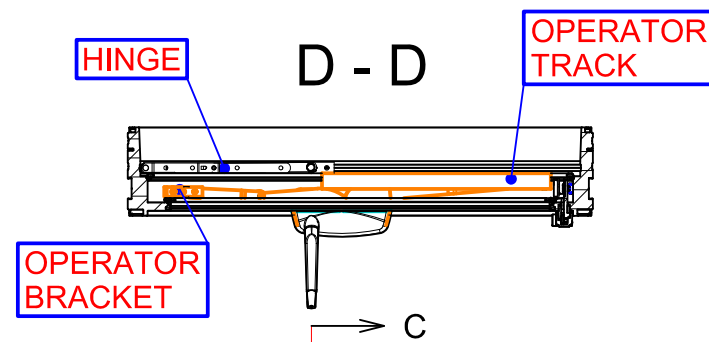
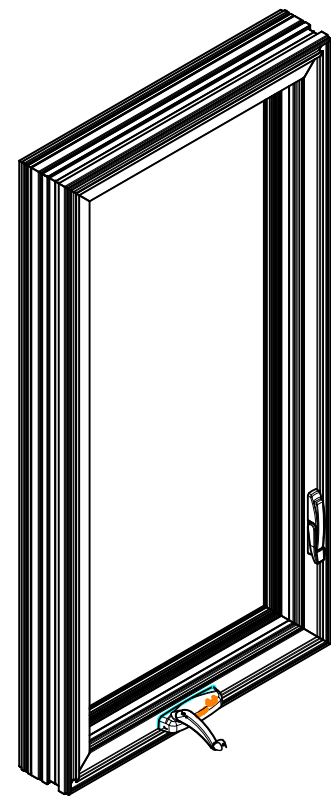
LES INFORMATIONS CONTENUES DANS CE DESSIN SONT CONFIDENTIELLES ET SONT LA PROPRIÉTÉ EXCLUSIVE DE "FERCO FERRURES DE BÂTIMENT INC."
 AUCUNE REPRODUCTION, UTILISATION, DISTRIBUTION OU VENTE À UN TIER N'EST AUTORISÉE SANS LE CONSENTEMENT ÉCRIT DE "FERCO FERRURES DE BÂTIMENT INC."

THE INFORMATION CONTAINED IN THIS DRAWING IS CONFIDENTIAL AND IS THE EXCLUSIVE PROPERTY OF "FERCO ARCHITECTURAL HARDWARE INC."
 ANY REPRODUCTION, USE, DISTRIBUTION OR SALE TO A THIRD PARTY IS NOT AUTHORIZED WITHOUT THE WRITTEN CONSENT OF "FERCO ARCHITECTURAL HARDWARE INC."

H:\FERCO DESSINS\FERCO-TECH\FENÊTRES\FULL CSMT WINDOW.dwg

COMPOSANTES RELIÉES - ADJOINING PARTS

| QTE | NO ITEM | NO REFERENCE | DESCRIPTION |
|-----|---------|--------------|-------------|
| | | | |
| | | | |
| | | | |



Toutes dimensions en millimètres - All dimensions in millimeters

| NOTES GÉNÉRALES / GENERAL NOTES | APPLICABLE TOLERANCES APPLICABLES | REV. | DESCRIPTION | DATE | PAR/BY |
|---------------------------------|-----------------------------------|------|-------------|------|--------|
| - | 0,5mm - 3,0mm => ±0,15mm | - | - | - | - |
| - | 3,0mm - 6,0mm => ±0,3mm | - | - | - | - |
| - | 6,0mm - 30mm => ±0,4mm | - | - | - | - |
| - | 30mm - 120mm => ±0,5mm | - | - | - | - |
| - | 120mm - 300mm => ±0,6mm | - | - | - | - |
| - | 300mm - 1000mm => ±1.00mm | - | - | - | - |
| - | 1000mm + => ±1.5mm | - | - | - | - |

FERCO GU BKS
 FERRURES DE BATIMENT INC. / ARCHITECTURAL HARDWARE INC.
 2000 rue BERLIER, CHOMEDEY, LAVAL, Qc. H7L 4S4
 TÉL.: (450) 973 - 1437 FAX.: (450) 973 - 7661 1-800-355-8810

RÉFÉRENCE / REFERENCE: -
 MATÉRIAU/MATERIAL: - FINI/FINISH: -

| | |
|---|-----------------------------------|
| CLIENT / CUSTOMER | |
| PROJET / PROJECT: TYPICAL CASEMENT WINDOW | |
| DESSINÉ par / DRAWING by: GUILLEMET | DATE: 11/30/2009 |
| ÉCHELLE / SCALE: 1:10 | NUMÉRO / NUMBER: FULL CSMT WINDOW |
| | REV.: |