

6.0 Turn handles and accessories

Turn handle – Special form	434
RONDO series	437
BELCANTO series	455
DIRIGENT series	467
Accessories	506

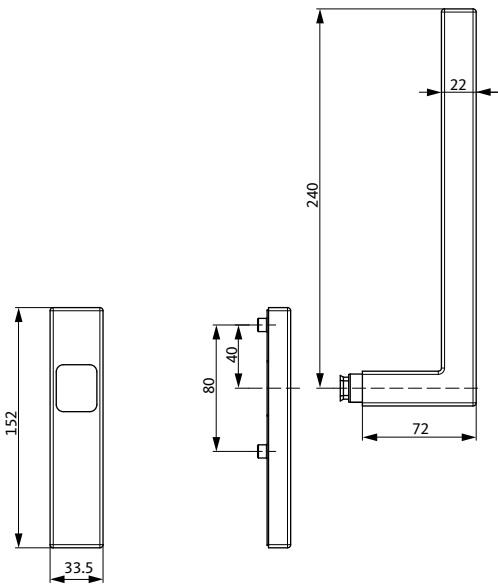
Special form, square – interior L&S turn handle without PC hole

without flush pull



Product information

- High-quality stainless steel turn handle, interior, without PC hole
- With 10 mm square size and 80 mm distance between screw centres
- Suitable for use with all customary timber, PVC or aluminium Lift&Slide profile systems for up to 400 kg sash weight
- Durability test with 25 000 cycles in compliance with DIN 13126 part 16
- Suitable for sash thicknesses up to 110 mm, adjustable square spindle
- Handle length 240 mm
- Handle height 78 mm
- The cover rosette cannot subsequently be exchanged



Special form, square – interior L&S turn handle without PC hole

without flush pull



L&S turn handles

Versions/order numbers						
Designation	Detent	Material	Specifications	Lockable	PU	Order no.
Special form, square – interior L&S turn handle without PC hole	180°	stainless steel	with lugs	no	1	K-18684-00-0-8

Contents	Piece(s)
Special form, square – interior L&S turn handle without PC hole	1
Square spindle (suitable for ST 88 to 92 mm)	1

Note: For other sash thicknesses, the square spindle must be ordered separately.

Note: The fixing screws must be ordered separately depending on the sash thickness.

Square spindle

Versions/order numbers			
Designation	ST [mm]	Length [mm]	Order no.
Square spindle 10 mm	56	80	9-24377-40-0-1
	68	80	9-24377-40-0-1
	78	80	9-24377-40-0-1
	88	90	Included in PU for turn handle
	90	90	
	92	90	
	110	100	9-24377-60-0-1

Fixing screws

When attaching L&S turn handles on one side, please use suitable fixing screws for the material type and sash thickness of the Lift&Slide element.

Drilling jigs

Versions/order numbers		
Drilling jigs	PU	Order no.
Drilling jig for the installation of turn handles – timber profiles	1	6-35524-00-0-1
Drilling jig for the installation of turn handles – PVC profiles	1	9-27272-00-0-0
Drilling jig for the installation of turn handles – aluminium profiles with Euro-groove	1	9-27272-01-0-0



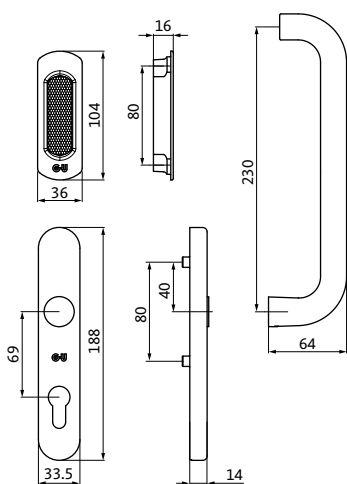
RONDO – interior L&S turn handle with PC hole

with exterior flush pull



Product information

- High-quality stainless steel turn handle, interior, with PC hole
- Exterior flush pull
- With 10 mm square size and 80 mm distance between screw centres
- Suitable for use with all customary timber, PVC or aluminium Lift&Slide profile systems for up to 400 kg sash weight
- Durability test with 25 000 cycles in compliance with DIN 13126 part 16
- Suitable for sash thicknesses up to 110 mm, adjustable square spindle
- Handle length 240 mm
- Handle height 78 mm



RONDO – interior L&S turn handle with PC hole

with exterior flush pull



L&S turn handles

Versions/order numbers						
Designation	Detent	Material	Specifications	Lockable	PU	Order no.
RONDO interior L&S turn handle, with PC hole	180°	stainless steel	with lugs	yes	1	K-16797-00-0-8
	90°	stainless steel	with lugs	yes	1	K-16863-00-0-8

Contents	Piece(s)
RONDO interior L&S turn handle, with PC hole	1
L&S flush pull	1
Square spindle (sash thickness up to 80 mm)	1

Note: For other sash thicknesses, the square spindle must be ordered separately.

Note: The fixing screws must be ordered separately depending on the sash thickness.

Square spindle

Versions/order numbers			
Designation	ST [mm]	Length [mm]	Order no.
Square spindle 10 mm	56	80	Included in PU for turn handle
	68		
	78		
	88	90	9-24377-50-0-1
	90	90	9-24377-50-0-1
	92	90	9-24377-50-0-1
	110	100	9-24377-60-0-1

Fixing screws

Versions/order numbers			
Designation	ST [mm]	Length [mm]	Order no.
M6 fixing screws	56	65	9-13274-65-0-1
	68	75	9-13274-75-0-1
	78	85	9-13274-85-0-1
	88	95	9-13274-95-R-1
	90	95	9-13274-95-R-1
	92	100	9-13274-97-R-3
	110	110	9-13274-98-R-3

Drilling jigs

Versions/order numbers		
Drilling jigs	PU	Order no.
Drilling jig for the installation of turn handles – timber profiles	1	6-35524-00-0-1
Drilling jig for the installation of turn handles – PVC profiles	1	9-27272-00-0-0
Drilling jig for the installation of turn handles – aluminium profiles with Euro-groove	1	9-27272-01-0-0

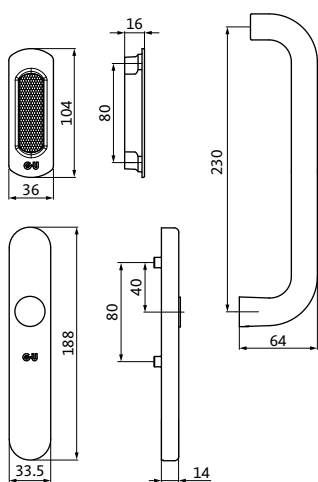
RONDO – interior L&S turn handle without PC hole

with exterior flush pull



Product information

- High-quality stainless steel turn handle, interior, without PC hole
- Exterior flush pull
- With 10 mm square size and 80 mm distance between screw centres
- Suitable for use with all customary timber and PVC Lift&Slide profile systems for up to 400 kg sash weight
- Durability test with 25 000 cycles in compliance with DIN 13126 part 16
- Suitable for sash thicknesses up to 110 mm, adjustable square spindle
- Handle length 240 mm
- Handle height 78 mm



RONDO – interior L&S turn handle without PC hole

with exterior flush pull



L&S turn handles

Versions/order numbers						
Designation	Detent	Material	Specifications	Lockable	PU	Order no.
RONDO interior L&S turn handle without PC hole	180°	stainless steel	with lugs	no	1	K-16796-00-0-8
	90°	stainless steel	with lugs	no	1	K-16862-00-0-8

Contents	Piece(s)
RONDO interior L&S turn handle without PC hole	1
L&S flush pull	1
Square spindle (sash thickness up to 80 mm)	1

Note: For other sash thicknesses, the square spindle must be ordered separately.

Note: The fixing screws must be ordered separately depending on the sash thickness.

Square spindle

Versions/order numbers			
Designation	ST [mm]	Length [mm]	Order no.
Square spindle 10 mm	56	80	Included in PU for turn handle
	68		
	78		
	88	90	9-24377-50-0-1
	90	90	9-24377-50-0-1
	92	90	9-24377-50-0-1
	110	100	9-24377-60-0-1

Fixing screws

Versions/order numbers			
Designation	ST [mm]	Length [mm]	Order no.
M6 fixing screws	56	65	9-13274-65-0-1
	68	75	9-13274-75-0-1
	78	85	9-13274-85-0-1
	88	95	9-13274-95-R-1
	90	95	9-13274-95-R-1
	92	100	9-13274-97-R-3
	110	110	9-13274-98-R-3

Drilling jigs

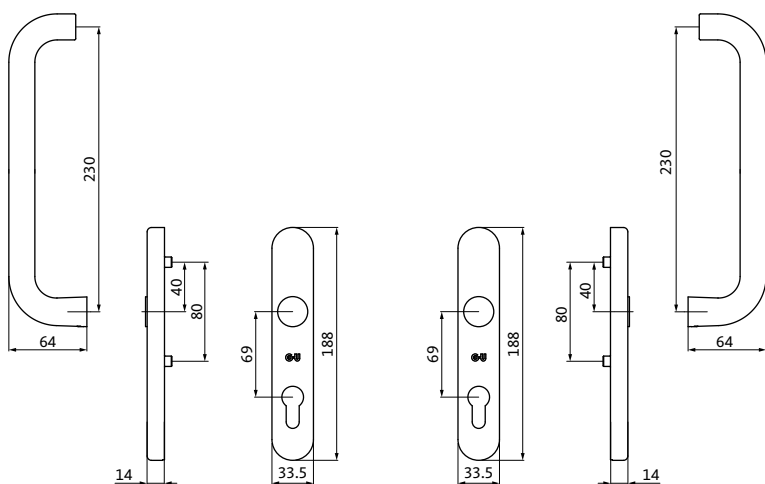
Versions/order numbers		
Drilling jigs	PU	Order no.
Drilling jig for the installation of turn handles – timber profiles	1	6-35524-00-0-1
Drilling jig for the installation of turn handles – PVC profiles	1	9-27272-00-0-0

RONDO – interior/exterior L&S turn handle set with PC hole



Product information

- High-quality stainless steel turn handles, interior and exterior, with PC hole
- With 10 mm square size and 80 mm distance between screw centres
- Suitable for use with all customary timber, PVC or aluminium Lift&Slide profile systems for up to 400 kg sash weight
- Durability test with 25 000 cycles in compliance with DIN 13126 part 16
- Suitable for sash thicknesses up to 110 mm, adjustable square spindle
- Handle length 240 mm
- Handle height 78 mm
- **Note:** We recommend the use of a buffer – see pages 225 and 226



L&S turn handles

Versions/order numbers						
Designation	Detent	Material	Specifications	Lockable	PU	Order no.
RONDO interior/exterior L&S turn handle set with PC hole	180°	stainless steel	with lugs	yes	1	K-16798-00-0-8

Contents	Piece(s)
RONDO interior/exterior L&S turn handle set with PC hole	1
Fixing screws M6 x 100 mm	2
Square spindle (sash thickness up to 90 mm)	1

Note: For other sash thicknesses, the square spindle must be ordered separately.

Note: For other sash thicknesses, the fixing screws must be ordered separately.

Square spindle

Versions/order numbers			
Designation	ST [mm]	Length [mm]	Order no.
Square spindle 10 mm	56	145	Included in PU for turn handle
	68		
	78		
	88		
	90		
	92	150	9-24377-15-0-1
	110	170	9-24377-18-0-1

Fixing screws

Versions/order numbers			
Designation	ST [mm]	Length [mm]	Order no.
M6 fixing screws	56	80	9-13274-80-0-1
	68	80	9-13274-80-0-1
	78	90	9-13274-90-0-1
	88	100	Included in PU for turn handle
	90		
	92		
		110	125

Drilling jigs

Versions/order numbers		
Drilling jigs	PU	Order no.
Drilling jig for the installation of turn handles – timber profiles	1	6-35524-00-0-1
Drilling jig for the installation of turn handles – PVC profiles	1	9-27272-00-0-0
Drilling jig for the installation of turn handles – aluminium profiles with Euro-groove	1	9-27272-01-0-0

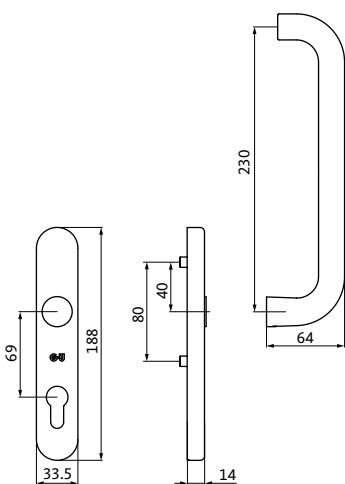
RONDO – interior L&S turn handle with PC hole

without flush pull



Product information

- High-quality stainless steel turn handle, interior, with PC hole
- With 10 mm square size and 80 mm distance between screw centres
- Suitable for use with all customary timber, PVC or aluminium Lift&Slide profile systems for up to 400 kg sash weight
- Durability test with 25 000 cycles in compliance with DIN 13126 part 16
- Suitable for sash thicknesses up to 110 mm, adjustable square spindle
- Handle length 240 mm
- Handle height 78 mm



RONDO – interior L&S turn handle with PC hole

without flush pull



L&S turn handles

Versions/order numbers						
Designation	Detent	Material	Specifications	Lockable	PU	Order no.
RONDO interior L&S turn handle with PC hole	180°	stainless steel	with lugs	yes	1	K-16808-00-0-8

Contents	Piece(s)
RONDO interior L&S turn handle with PC hole	1
Square spindle (sash thickness up to 80 mm)	1

Note: For other sash thicknesses, the square spindle must be ordered separately.

Note: The fixing screws must be ordered separately depending on the sash thickness.

Square spindle

Versions/order numbers			
Designation	ST [mm]	Length [mm]	Order no.
Square spindle 10 mm	56	80	Included in PU for turn handle
	68		
	78		
	88	90	9-24377-50-0-1
	90	90	9-24377-50-0-1
	92	90	9-24377-50-0-1
	110	100	9-24377-60-0-1

Fixing screws

When attaching L&S turn handles on one side, please use suitable fixing screws for the material type and sash thickness of the Lift&Slide element.

Drilling jigs

Versions/order numbers		
Drilling jigs	PU	Order no.
Drilling jig for the installation of turn handles – timber profiles	1	6-35524-00-0-1
Drilling jig for the installation of turn handles – PVC profiles	1	9-27272-00-0-0
Drilling jig for the installation of turn handles – aluminium profiles with Euro-groove	1	9-27272-01-0-0

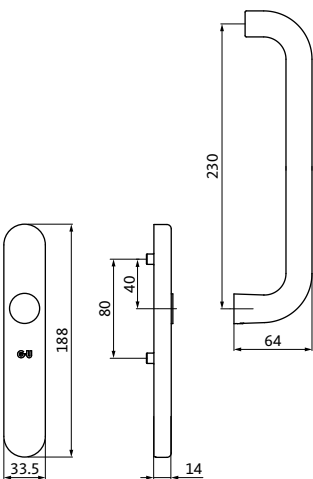
RONDO – interior L&S turn handle without PC hole

without flush pull



Product information

- High-quality stainless steel turn handle, interior, without PC hole
- With 10 mm square size and 80 mm distance between screw centres
- Suitable for use with all customary timber, PVC or aluminium Lift&Slide profile systems for up to 400 kg sash weight
- Durability test with 25 000 cycles in compliance with DIN 13126 part 16
- Suitable for sash thicknesses up to 110 mm, adjustable square spindle
- Handle length 240 mm
- Handle height 78 mm



L&S turn handles

Versions/order numbers						
Designation	Detent	Material	Specifications	Lockable	PU	Order no.
RONDO interior L&S turn handle without PC hole	180°	stainless steel	with lugs	no	1	K-16807-00-0-8

Contents	Piece(s)
RONDO interior L&S turn handle without PC hole	1
Square spindle (sash thickness up to 80 mm)	1

Note: For other sash thicknesses, the square spindle must be ordered separately.

Note: The fixing screws must be ordered separately depending on the sash thickness.

Square spindle

Versions/order numbers			
Designation	ST [mm]	Length [mm]	Order no.
Square spindle 10 mm	56	80	Included in PU for turn handle
	68		
	78		
	88	90	9-24377-50-0-1
	90	90	9-24377-50-0-1
	92	90	9-24377-50-0-1
	110	100	9-24377-60-0-1

Fixing screws

When attaching L&S turn handles on one side, please use suitable fixing screws for the material type and sash thickness of the Lift&Slide element.

Drilling jigs

Versions/order numbers		
Drilling jigs	PU	Order no.
Drilling jig for the installation of turn handles – timber profiles	1	6-35524-00-0-1
Drilling jig for the installation of turn handles – PVC profiles	1	9-27272-00-0-0
Drilling jig for the installation of turn handles – aluminium profiles with Euro-groove	1	9-27272-01-0-0

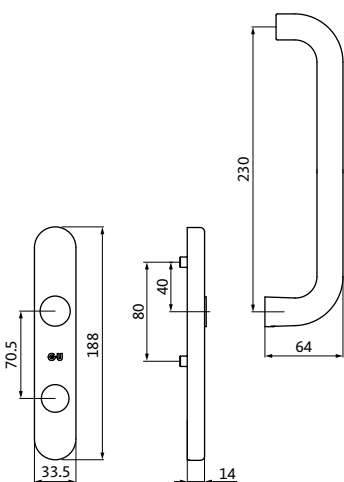
RONDO – interior L&S turn handle with CH-RC hole

without flush pull



Product information

- High-quality stainless steel turn handle, interior, with 22 mm CH-RC hole-type
- With 10 mm square size and 80 mm distance between screw centres
- Suitable for use with all customary timber, PVC or aluminium Lift&Slide profile systems for up to 400 kg sash weight
- Durability test with 25 000 cycles in compliance with DIN 13126 part 16
- Suitable for sash thicknesses up to 110 mm, adjustable square spindle
- Handle length 240 mm
- Handle height 78 mm



RONDO – interior L&S turn handle with CH-RC hole

without flush pull



L&S turn handles

Versions/order numbers						
Designation	Detent	Material	Specifications	Lockable	PU	Order no.
RONDO interior L&S turn handle with CH-RC hole	180°	stainless steel	with lugs	yes	1	K-17624-00-0-8

Contents	Piece(s)
RONDO interior L&S turn handle with CH-RC hole	1
Square spindle (sash thickness up to 80 mm)	1

Note: For other sash thicknesses, the square spindle must be ordered separately.

Note: The fixing screws must be ordered separately depending on the sash thickness.

Square spindle

Versions/order numbers			
Designation	ST [mm]	Length [mm]	Order no.
Square spindle 10 mm	56	80	Included in PU for turn handle
	68		
	78		
	88	90	9-24377-50-0-1
	90	90	9-24377-50-0-1
	92	90	9-24377-50-0-1
	110	100	9-24377-60-0-1

Fixing screws

When attaching L&S turn handles on one side, please use suitable fixing screws for the material type and sash thickness of the Lift&Slide element.

Drilling jigs

Versions/order numbers		
Drilling jigs	PU	Order no.
Drilling jig for the installation of turn handles – timber profiles	1	6-35524-00-0-1
Drilling jig for the installation of turn handles – PVC profiles	1	9-27272-00-0-0
Drilling jig for the installation of turn handles – aluminium profiles with Euro-groove	1	9-27272-01-0-0

RONDO – interior L&S turn handle with PC hole

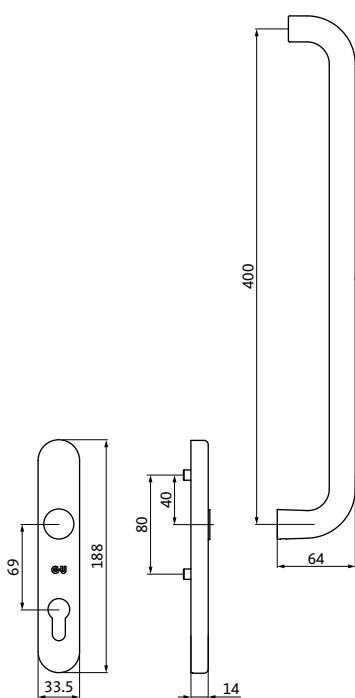
extended handle



Product information

- High-quality stainless steel turn handle, interior, with PC hole
- Special length 400 mm
- With 10 mm square size and 80 mm distance between screw centres
- Suitable for use with all customary timber, PVC or aluminium Lift&Slide profile systems for up to 400 kg sash weight
- Durability test with 25 000 cycles in compliance with DIN 13126 part 16
- Suitable for sash thicknesses up to 110 mm, adjustable square spindle
- Handle length 400 mm
- Handle height 78 mm

This product is suitable for use in accordance with



RONDO – interior L&S turn handle with PC hole

extended handle



L&S turn handles

Versions/order numbers						
Designation	Detent	Material	Specifications	Lockable	PU	Order no.
RONDO interior L&S turn handle with PC hole	180°	stainless steel	with lugs	yes	1	K-17232-00-0-8

Contents	Piece(s)
RONDO interior L&S turn handle with PC hole	1
Square spindle (sash thickness up to 80 mm)	1

Note: For other sash thicknesses, the square spindle must be ordered separately.

Note: The fixing screws must be ordered separately depending on the sash thickness.

Square spindle

Versions/order numbers			
Designation	ST [mm]	Length [mm]	Order no.
Square spindle 10 mm	56	80	Included in PU for turn handle
	68		
	78		
	88	90	9-24377-50-0-1
	90	90	9-24377-50-0-1
	92	90	9-24377-50-0-1
	110	100	9-24377-60-0-1

Fixing screws

When attaching L&S turn handles on one side, please use suitable fixing screws for the material type and sash thickness of the Lift&Slide element.

Drilling jigs

Versions/order numbers		
Drilling jigs	PU	Order no.
Drilling jig for the installation of turn handles – timber profiles	1	6-35524-00-0-1
Drilling jig for the installation of turn handles – PVC profiles	1	9-27272-00-0-0
Drilling jig for the installation of turn handles – aluminium profiles with Euro-groove	1	9-27272-01-0-0

RONDO – interior L&S turn handle without PC hole

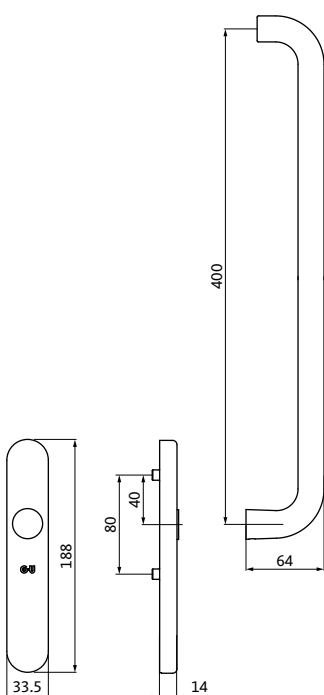
extended handle



Product information

- High-quality stainless steel turn handle, interior, without PC hole
- Special length 400 mm
- With 10 mm square size and 80 mm distance between screw centres
- Suitable for use with all customary timber, PVC or aluminium Lift&Slide profile systems for up to 400 kg sash weight
- Durability test with 25 000 cycles in compliance with DIN 13126 part 16
- Suitable for sash thicknesses up to 110 mm, adjustable square spindle
- Handle length 400 mm
- Handle height 78 mm

This product is suitable for use in accordance with



L&S turn handles

Versions/order numbers						
Designation	Detent	Material	Specifications	Lockable	PU	Order no.
RONDO interior L&S turn handle without PC hole	180°	stainless steel	with lugs	no	1	K-17231-00-0-8

Contents	Piece(s)
RONDO interior L&S turn handle without PC hole	1
Square spindle (sash thickness up to 80 mm)	1

Note: For other sash thicknesses, the square spindle must be ordered separately.

Note: The fixing screws must be ordered separately depending on the sash thickness.

Square spindle

Versions/order numbers			
Designation	ST [mm]	Length [mm]	Order no.
Square spindle 10 mm	56	80	Included in PU for turn handle
	68		
	78		
	88	90	9-24377-50-0-1
	90	90	9-24377-50-0-1
	92	90	9-24377-50-0-1
	110	100	9-24377-60-0-1

Fixing screws

When attaching L&S turn handles on one side, please use suitable fixing screws for the material type and sash thickness of the Lift&Slide element.

Drilling jigs

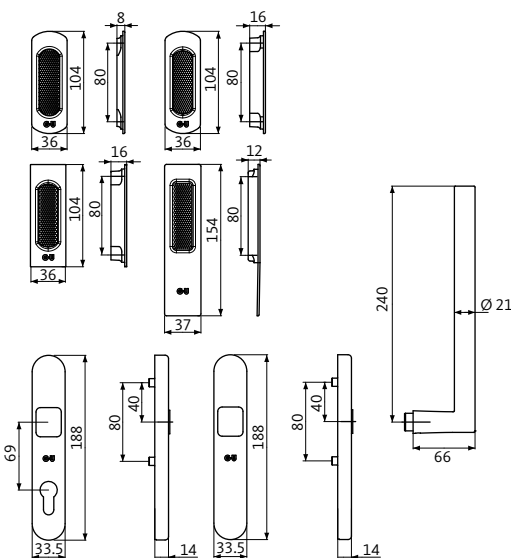
Versions/order numbers		
Drilling jigs	PU	Order no.
Drilling jig for the installation of turn handles – timber profiles	1	6-35524-00-0-1
Drilling jig for the installation of turn handles – PVC profiles	1	9-27272-00-0-0
Drilling jig for the installation of turn handles – aluminium profiles with Euro-groove	1	9-27272-01-0-0





Product information

- High-quality stainless steel turn handles, optionally with
 - Dummy backplate
 - Profile-cylinder hole (PC)
- With 10 mm square size and 80 mm distance between screw centres
- Optionally with exterior handle or exterior flush pull
- Suitable for use with all customary Lift&Slide profile systems for up to 400 kg sash weight
- Durability test with 25 000 cycles in compliance with DIN 13126 part 16



Some products in this series are suitable for



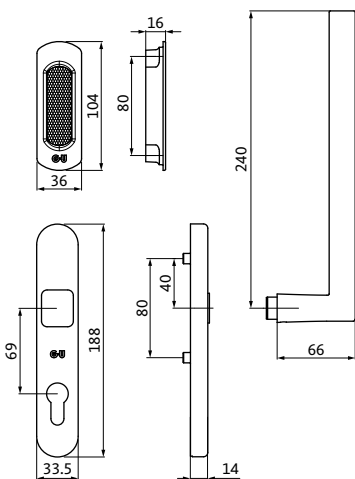
BELCANTO – interior L&S turn handle with PC hole

with exterior flush pull



Product information

- High-quality stainless steel turn handle, interior, with PC hole
- Exterior flush pull
- With 10 mm square size and 80 mm distance between screw centres
- Suitable for use with all customary timber and PVC Lift&Slide profile systems for up to 400 kg sash weight
- Durability test with 25 000 cycles in compliance with DIN 13126 part 16
- Suitable for sash thicknesses up to 110 mm, adjustable square spindle
- Handle length 240 mm
- Handle height 80 mm



L&S turn handles

Versions/order numbers						
Designation	Detent	Material	Specifications	Lockable	PU	Order no.
BELCANTO interior L&S turn handle with PC hole	180°	stainless steel	with lugs	yes	1	K-17016-00-0-8
	90°	stainless steel	with lugs	yes	1	K-17021-00-0-8

Contents	Piece(s)
BELCANTO interior L&S turn handle with PC hole	1
L&S flush pull	1
Square spindle (sash thickness up to 80 mm)	1

Note: For other sash thicknesses, the square spindle must be ordered separately.

Note: The fixing screws must be ordered separately depending on the sash thickness.

Square spindle

Versions/order numbers			
Designation	ST [mm]	Length [mm]	Order no.
Square spindle 10 mm	56	80	Included in PU for turn handle
	68		
	78		
	88	90	9-24377-50-0-1
	90	90	9-24377-50-0-1
	92	90	9-24377-50-0-1
	110	100	9-24377-60-0-1

Fixing screws

Versions/order numbers			
Designation	ST [mm]	Length [mm]	Order no.
M6 fixing screws	56	65	9-13274-65-0-1
	68	75	9-13274-75-0-1
	78	85	9-13274-85-0-1
	88	95	9-13274-95-R-1
	90	95	9-13274-95-R-1
	92	100	9-13274-97-R-3
	110	110	9-13274-98-R-3

Drilling jigs

Versions/order numbers		
Drilling jigs	PU	Order no.
Drilling jig for the installation of turn handles – timber profiles	1	6-35524-00-0-1
Drilling jig for the installation of turn handles – PVC profiles	1	9-27272-00-0-0

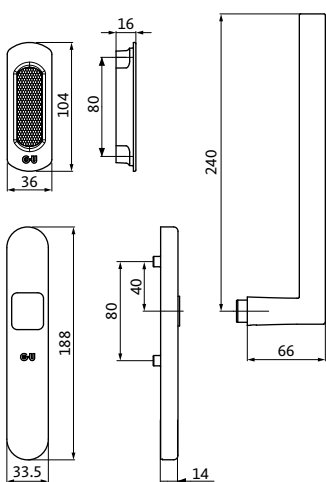
BELCANTO – interior L&S turn handle without PC hole

with exterior flush pull



Product information

- High-quality stainless steel turn handle, interior, without PC hole
- Exterior flush pull
- With 10 mm square size and 80 mm distance between screw centres
- Suitable for use with all customary timber and PVC Lift&Slide profile systems for up to 400 kg sash weight
- Durability test with 25 000 cycles in compliance with DIN 13126 part 16
- Suitable for sash thicknesses up to 110 mm, adjustable square spindle
- Handle length 240 mm
- Handle height 80 mm



L&S turn handles

Versions/order numbers						
Designation	Detent	Material	Specifications	Lockable	PU	Order no.
BELCANTO interior L&S turn handle without PC hole	180°	stainless steel	with lugs	no	1	K-17015-00-0-8
	90°	stainless steel	with lugs	no	1	K-17020-00-0-8

Contents	Piece(s)
BELCANTO interior L&S turn handle without PC hole	1
L&S flush pull	1
Square spindle (sash thickness up to 80 mm)	1

Note: For other sash thicknesses, the square spindle must be ordered separately.

Note: The fixing screws must be ordered separately depending on the sash thickness.

Square spindle

Versions/order numbers			
Designation	ST [mm]	Length [mm]	Order no.
Square spindle 10 mm	56	80	Included in PU for turn handle
	68		
	78		
	88	90	9-24377-50-0-1
	90	90	9-24377-50-0-1
	92	90	9-24377-50-0-1
	110	100	9-24377-60-0-1

Fixing screws

Versions/order numbers			
Designation	ST [mm]	Length [mm]	Order no.
M6 fixing screws	56	65	9-13274-65-0-1
	68	75	9-13274-75-0-1
	78	85	9-13274-85-0-1
	88	95	9-13274-95-R-1
	90	95	9-13274-95-R-1
	92	100	9-13274-97-R-3
	110	110	9-13274-98-R-3

Drilling jigs

Versions/order numbers		
Drilling jigs	PU	Order no.
Drilling jig for the installation of turn handles – timber profiles	1	6-35524-00-0-1
Drilling jig for the installation of turn handles – PVC profiles	1	9-27272-00-0-0

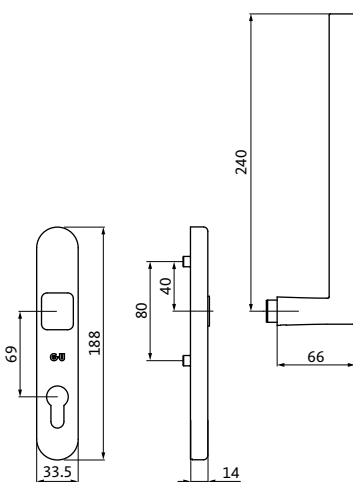
BELCANTO – interior L&S turn handle with PC hole

without flush pull



Product information

- High-quality stainless steel turn handle, interior, with PC hole
- With 10 mm square size and 80 mm distance between screw centres
- Suitable for use with all customary aluminium Lift&Slide profile systems for up to 400 kg sash weight
- Durability test with 25 000 cycles in compliance with DIN 13126 part 16
- Suitable for sash thicknesses up to 110 mm, adjustable square spindle
- Handle length 240 mm
- Handle height 80 mm



L&S turn handles

Versions/order numbers						
Designation	Detent	Material	Specifications	Lockable	PU	Order no.
BELCANTO interior L&S turn handle with PC hole	180°	stainless steel	with lugs	yes	1	K-17014-00-0-8
	90°	stainless steel	with lugs	yes	1	K-17019-00-0-8

Contents	Piece(s)
BELCANTO interior L&S turn handle with PC hole	1
Square spindle (sash thickness up to 80 mm)	1

Note: For other sash thicknesses, the square spindle must be ordered separately.

Note: The fixing screws must be ordered separately depending on the sash thickness.

Square spindle

Versions/order numbers			
Designation	ST [mm]	Length [mm]	Order no.
Square spindle 10 mm	56	80	Included in PU for turn handle
	68		
	78		
	88	90	9-24377-50-0-1
	90	90	9-24377-50-0-1
	92	90	9-24377-50-0-1
	110	100	9-24377-60-0-1

Fixing screws

When attaching L&S turn handles on one side, please use suitable fixing screws for the material type and sash thickness of the Lift&Slide element.

Drilling jigs

Versions/order numbers		
Drilling jigs	PU	Order no.
Drilling jig for the installation of turn handles – aluminium profiles with Euro-groove	1	9-27272-01-0-0

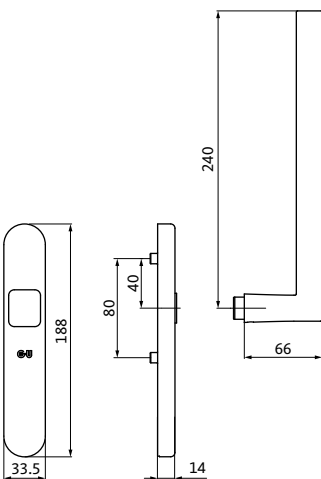
BELCANTO – interior L&S turn handle without PC hole

without flush pull



Product information

- High-quality stainless steel turn handle, interior, without PC hole
- With 10 mm square size and 80 mm distance between screw centres
- Suitable for use with all customary aluminium Lift&Slide profile systems for up to 400 kg sash weight
- Durability test with 25 000 cycles in compliance with DIN 13126 part 16
- Suitable for sash thicknesses up to 110 mm, adjustable square spindle
- Handle length 240 mm
- Handle height 80 mm



L&S turn handles

Versions/order numbers						
Designation	Detent	Material	Specifications	Lockable	PU	Order no.
BELCANTO interior L&S turn handle without PC hole	180°	stainless steel	with lugs	no	1	K-17013-00-0-8
	90°	stainless steel	with lugs	no	1	K-17018-00-0-8

Contents	Piece(s)
BELCANTO interior L&S turn handle without PC hole	1
Square spindle (sash thickness up to 80 mm)	1

Note: For other sash thicknesses, the square spindle must be ordered separately.

Note: The fixing screws must be ordered separately depending on the sash thickness.

Square spindle

Versions/order numbers			
Designation	ST [mm]	Length [mm]	Order no.
Square spindle 10 mm	56	80	Included in PU for turn handle
	68		
	78		
	88	90	9-24377-50-0-1
	90	90	9-24377-50-0-1
	92	90	9-24377-50-0-1
	110	100	9-24377-60-0-1

Fixing screws

When attaching L&S turn handles on one side, please use suitable fixing screws for the material type and sash thickness of the Lift&Slide element.

Drilling jigs

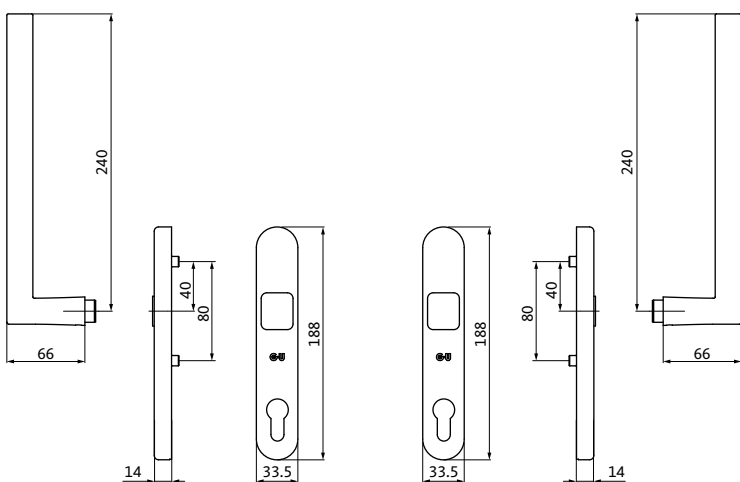
Versions/order numbers		
Drilling jigs	PU	Order no.
Drilling jig for the installation of turn handles – aluminium profiles with Euro-groove	1	9-27272-01-0-0

BELCANTO – L&S interior/exterior turn handle set with PC hole



Product information

- High-quality stainless steel turn handles, interior and exterior, with PC hole
- With 10 mm square size and 80 mm distance between screw centres
- Suitable for use with all customary timber, PVC or aluminium Lift&Slide profile systems for up to 400 kg sash weight
- Durability test with 25 000 cycles in compliance with DIN 13126 part 16
- Suitable for sash thicknesses up to 110 mm, adjustable square spindle
- Handle length 240 mm
- Handle height 80 mm
- **Note:** We recommend the use of a buffer – see pages 225 and 226



L&S turn handles

Versions/order numbers						
Designation	Detent	Material	Specifications	Lockable	PU	Order no.
BELCANTO interior/exterior L&S turn handle with PC hole	180°	stainless steel	with lugs	yes	1	K-17017-00-0-8
	90°	stainless steel	with lugs	yes	1	K-17022-00-0-8

Contents	Piece(s)
BELCANTO interior/exterior L&S turn handle with PC hole	1
Fixing screws M6 x 100 mm	2
Square spindle (sash thickness up to 90 mm)	1

Note: For other sash thicknesses, the square spindle must be ordered separately.

Note: For other sash thicknesses, the fixing screws must be ordered separately.

Square spindle

Versions/order numbers			
Designation	ST [mm]	Length [mm]	Order no.
Square spindle 10 mm	56	145	Included in PU for turn handle
	68		
	78		
	88		
	90	150	9-24377-15-0-1
	92		
110	170	9-24377-18-0-1	

Fixing screws

Versions/order numbers			
Designation	ST [mm]	Length [mm]	Order no.
M6 fixing screws	56	80	9-13274-80-0-1
	68	80	9-13274-80-0-1
	78	90	9-13274-90-0-1
	88	100	Included in PU for turn handle
	90		
	92		
	110	125	9-13274-96-R-1

Drilling jigs

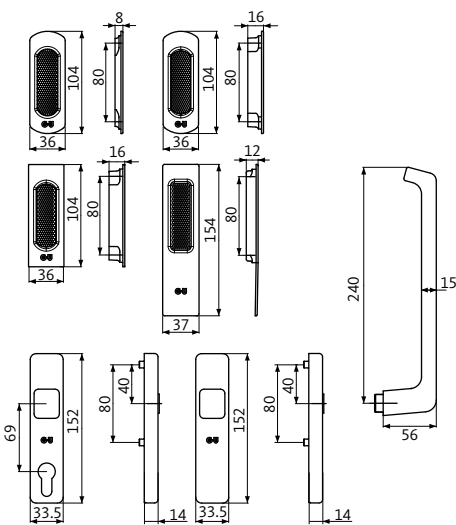
Versions/order numbers		
Drilling jigs	PU	Order no.
Drilling jig for the installation of turn handles – timber profiles	1	6-35524-00-0-1
Drilling jig for the installation of turn handles – PVC profiles	1	9-27272-00-0-0
Drilling jig for the installation of turn handles – aluminium profiles with Euro-groove	1	9-27272-01-0-0





Product information

- High-quality stainless steel turn handles, optionally with
 - Dummy backplate
 - Profile-cylinder hole (PC)
- With 10 mm square size and 80 mm distance between screw centres
- Optionally with exterior handle or exterior flush pull
- Suitable for use with all customary Lift&Slide profile systems for up to 400 kg sash weight
- Durability test with 25 000 cycles in compliance with DIN 13126 part 16



Some products in this series are suitable for



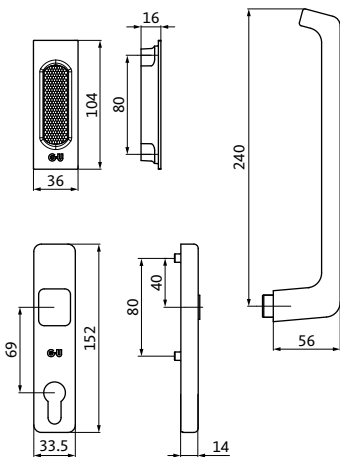
DIRIGENT – interior L&S turn handle with PC hole

with exterior flush pull



Product information

- High-quality stainless steel turn handle, interior, with PC hole
- Exterior flush pull
- With 10 mm square size and 80 mm distance between screw centres
- Suitable for use with all customary timber and PVC Lift&Slide profile systems for up to 400 kg sash weight
- Durability test with 25 000 cycles in compliance with DIN 13126 part 16
- Suitable for sash thicknesses up to 110 mm, adjustable square spindle
- Handle length 240 mm
- Handle height 70 mm



L&S turn handles

Versions/order numbers						
Designation	Detent	Material	Specifications	Lockable	PU	Order no.
DIRIGENT interior L&S turn handle with PC hole	180°	stainless steel	with lugs	yes	1	K-16794-00-0-8

Contents	Piece(s)
DIRIGENT interior L&S turn handle with PC hole	1
L&S flush pull	1
Square spindle (sash thickness up to 80 mm)	1

Note: For other sash thicknesses, the square spindle must be ordered separately.

Note: The fixing screws must be ordered separately depending on the sash thickness.

Square spindle

Versions/order numbers			
Designation	ST [mm]	Length [mm]	Order no.
Square spindle 10 mm	56	80	Included in PU for turn handle
	68		
	78		
	88	90	9-24377-50-0-1
	90	90	9-24377-50-0-1
	92	90	9-24377-50-0-1
	110	100	9-24377-60-0-1

Fixing screws

Versions/order numbers			
Designation	ST [mm]	Length [mm]	Order no.
M6 fixing screws	56	65	9-13274-65-0-1
	68	75	9-13274-75-0-1
	78	85	9-13274-85-0-1
	88	95	9-13274-95-R-1
	90	95	9-13274-95-R-1
	92	100	9-13274-97-R-3
	110	110	9-13274-98-R-3

Drilling jigs

Versions/order numbers		
Drilling jigs	PU	Order no.
Drilling jig for the installation of turn handles – timber profiles	1	6-35524-00-0-1
Drilling jig for the installation of turn handles – PVC profiles	1	9-27272-00-0-0

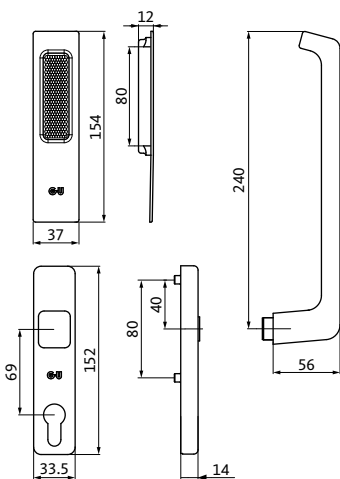
DIRIGENT – interior L&S turn handle with PC hole

with extended exterior flush pull



Product information

- High-quality aluminium turn handle, interior, with PC hole
- Exterior flush pull, extended
- With 10 mm square size and 80 mm distance between screw centres
- Suitable for use with all customary timber and PVC Lift&Slide profile systems for up to 400 kg sash weight
- Durability test with 25 000 cycles in compliance with DIN 13126 part 16
- Suitable for sash thicknesses up to 110 mm, adjustable square spindle
- Handle length 240 mm
- Handle height 70 mm



L&S turn handles

Versions/order numbers							
Designation	Detent	Material	Specifications	Lockable	Finish	PU	Order no.
DIRIGENT interior L&S turn handle with PC hole	180°	aluminium	with lugs	yes	silver/EV 1 look	1	K-13266-00-0-1
					dark brown [1]	1	K-13266-00-0-5
					white, RAL 9016	1	K-13266-00-0-7
	90°	aluminium	with lugs	yes	silver/EV 1 look	1	K-13263-00-0-1
					dark brown [1]	1	K-13263-00-0-5
					white, RAL 9016	1	K-13263-00-0-7

[1] Similar to RAL 8022

Contents	Piece(s)
DIRIGENT interior L&S turn handle with PC hole	1
L&S flush pull, extended	1
Square spindle (sash thickness up to 80 mm)	1

Note: For other sash thicknesses, the square spindle must be ordered separately.

Note: The fixing screws must be ordered separately depending on the sash thickness.

Square spindle

Versions/order numbers			
Designation	ST [mm]	Length [mm]	Order no.
Square spindle 10 mm	56	80	Included in PU for turn handle
	68		
	78		
	88	90	9-24377-50-0-1
	90	90	9-24377-50-0-1
	92	90	9-24377-50-0-1
	110	100	9-24377-60-0-1

Fixing screws

Versions/order numbers			
Designation	ST [mm]	Length [mm]	Order no.
M6 fixing screws	56	65	9-13274-65-0-1
	68	75	9-13274-75-0-1
	78	85	9-13274-85-0-1
	88	95	9-13274-95-R-1
	90	95	9-13274-95-R-1
	92	100	9-13274-97-R-3
	110	110	9-13274-98-R-3

Drilling jigs

Versions/order numbers		
Drilling jigs	PU	Order no.
Drilling jig for the installation of turn handles – timber profiles	1	6-35524-00-0-1
Drilling jig for the installation of turn handles – PVC profiles	1	9-27272-00-0-0

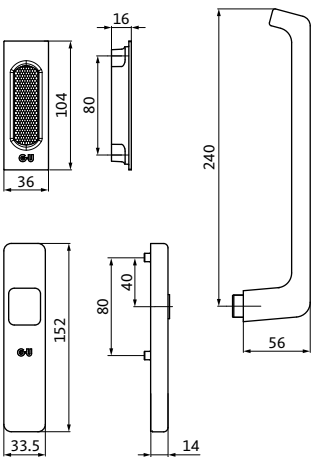
DIRIGENT – interior L&S turn handle without PC hole

with exterior flush pull



Product information

- High-quality stainless steel turn handle, interior, without PC hole
- Exterior flush pull
- With 10 mm square size and 80 mm distance between screw centres
- Suitable for use with all customary timber and PVC Lift&Slide profile systems for up to 400 kg sash weight
- Durability test with 25 000 cycles in compliance with DIN 13126 part 16
- Suitable for sash thicknesses up to 110 mm, adjustable square spindle
- Handle length 240 mm
- Handle height 70 mm



L&S turn handles

Versions/order numbers						
Designation	Detent	Material	Specifications	Lockable	PU	Order no.
DIRIGENT interior L&S turn handle without PC hole	180°	stainless steel	with lugs	no	1	K-16793-00-0-8
	90°	stainless steel	with lugs	no	1	K-16859-00-0-8

Contents	Piece(s)
DIRIGENT interior L&S turn handle without PC hole	1
L&S flush pull	1
Square spindle (sash thickness up to 80 mm)	1

Note: For other sash thicknesses, the square spindle must be ordered separately.

Note: The fixing screws must be ordered separately depending on the sash thickness.

Square spindle

Versions/order numbers			
Designation	ST [mm]	Length [mm]	Order no.
Square spindle 10 mm	56	80	Included in PU for turn handle
	68		
	78		
	88	90	9-24377-50-0-1
	90	90	9-24377-50-0-1
	92	90	9-24377-50-0-1
	110	100	9-24377-60-0-1

Fixing screws

Versions/order numbers			
Designation	ST [mm]	Length [mm]	Order no.
M6 fixing screws	56	65	9-13274-65-0-1
	68	75	9-13274-75-0-1
	78	85	9-13274-85-0-1
	88	95	9-13274-95-R-1
	90	95	9-13274-95-R-1
	92	100	9-13274-97-R-3
	110	110	9-13274-98-R-3

Drilling jigs

Versions/order numbers		
Drilling jigs	PU	Order no.
Drilling jig for the installation of turn handles – timber profiles	1	6-35524-00-0-1
Drilling jig for the installation of turn handles – PVC profiles	1	9-27272-00-0-0

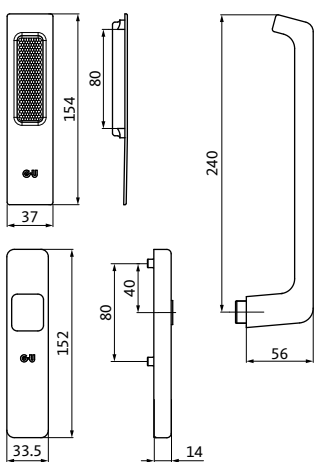
DIRIGENT – interior L&S turn handle without PC hole

with extended exterior flush pull



Product information

- High-quality aluminium turn handle, interior, without PC hole
- Exterior flush pull, extended
- With 10 mm square size and 80 mm distance between screw centres
- Suitable for use with all customary timber and PVC Lift&Slide profile systems for up to 400 kg sash weight
- Durability test with 25 000 cycles in compliance with DIN 13126 part 16
- Suitable for sash thickness up to 56 mm, fixed square spindle
- Suitable for sash thickness from 68 mm, adjustable square spindle
- Handle length 240 mm
- Handle height 70 mm



DIRIGENT – interior L&S turn handle without PC hole

with extended exterior flush pull



L&S turn handles

Versions/order numbers								
Designation	Detent	ST [mm]	Material	Specifications	Lockable	Finish	PU	Order no.
DIRIGENT interior L&S turn handle without PC hole	180°	up to 56 [1]	aluminium	with lugs	no	silver/EV 1 look	1	K-13265-00-0-1
						dark brown [3]	1	K-13265-00-0-5
						white, RAL 9016	1	K-13265-00-0-7
	180°	up to 78 [2]	aluminium	with lugs	no	silver/EV 1 look	1	K-13785-00-0-1
						dark brown [3]	1	K-13785-00-0-5
						white, RAL 9016	1	K-13785-00-0-7
	90°	up to 56 [1]	aluminium	with lugs	no	silver/EV 1 look	1	K-13262-00-0-1
						dark brown [3]	1	K-13262-00-0-5
						white, RAL 9016	1	K-13262-00-0-7
	90°	up to 78 [2]	aluminium	with lugs	no	silver/EV 1 look	1	K-13787-00-0-1
						dark brown [3]	1	K-13787-00-0-5
						white, RAL 9016	1	K-13787-00-0-7

[1] Square spindle, fixed
 [2] Square spindle, adjustable
 [3] Similar to RAL 8022

Contents (with ST up to 56 mm)	Piece(s)
DIRIGENT interior L&S turn handle without PC hole	1
L&S flush pull, extended	1
Square spindle (sash thickness up to 56 mm)	1

Note:
The fixing screws must be ordered separately depending on the sash thickness.

Contents (with sash thickness up to 78 mm)	Piece(s)
DIRIGENT interior L&S turn handle without PC hole	1
L&S flush pull, extended	1
Square spindle (suitable for ST 68 to 80 mm)	1

Note:
For other sash thicknesses, the square spindle must be ordered separately.
Note:
The fixing screws must be ordered separately depending on the sash thickness.

DIRIGENT – interior L&S turn handle without PC hole

with extended exterior flush pull



Square spindle

Versions/order numbers			
Designation	ST [mm]	Length [mm]	Order no.
Square spindle 10 mm	56	80	Included in PU for turn handle
	68		
	78		
	88	90	9-24377-50-0-1
	90	90	9-24377-50-0-1
	92	90	9-24377-50-0-1
	110	100	9-24377-60-0-1

Fixing screws

Versions/order numbers			
Designation	ST [mm]	Length [mm]	Order no.
M6 fixing screws	56	65	9-13274-65-0-1
	68	75	9-13274-75-0-1
	78	85	9-13274-85-0-1
	88	95	9-13274-95-R-1
	90	95	9-13274-95-R-1
	92	100	9-13274-97-R-3
	110	110	9-13274-98-R-3

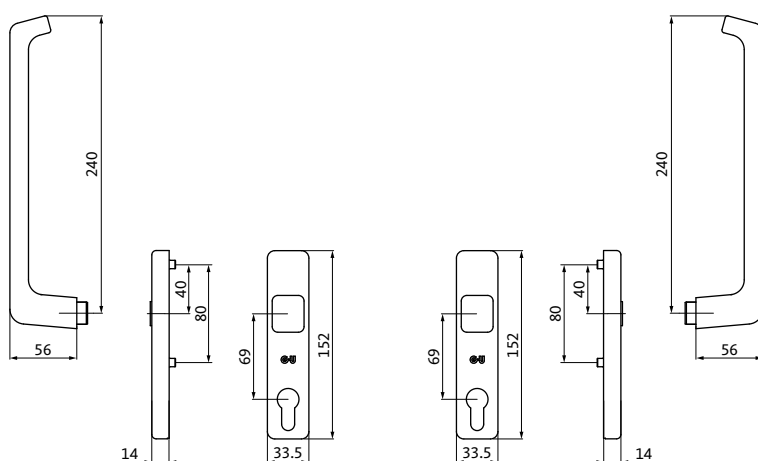
Drilling jigs

Versions/order numbers		
Drilling jigs	PU	Order no.
Drilling jig for the installation of turn handles – timber profiles	1	6-35524-00-0-1
Drilling jig for the installation of turn handles – PVC profiles	1	9-27272-00-0-0



Product information

- High-quality aluminium, stainless steel or brass turn handles, interior and exterior, with PC hole
- With 10 mm square size and 80 mm distance between screw centres
- Suitable for use with all customary timber, PVC or aluminium Lift&Slide profile systems for up to 400 kg sash weight
- Durability test with 25 000 cycles in compliance with DIN 13126 part 16
- Suitable for sash thicknesses up to 110 mm, adjustable square spindle
- Handle length 240 mm
- Handle height 70 mm
- Note: We recommend the use of a buffer – see pages 225 and 226



DIRIGENT – interior/exterior L&S turn handle set with PC hole



L&S turn handles – aluminium

Versions/order numbers

Designation	Detent	Material	Specifications	Lockable	Finish	PU	Order no.
DIRIGENT interior/exterior L&S turn handle with PC hole with fixing screws	180°	aluminium	with lugs	yes	silver/EV 1 look	1	K-13267-00-0-1
					dark brown [1]	1	K-13267-00-0-5
					white, RAL 9016	1	K-13267-00-0-7
	90°	aluminium	with lugs	yes	silver/EV 1 look	1	K-13264-00-0-1
					dark brown [1]	1	K-13264-00-0-5
					white, RAL 9016	1	K-13264-00-0-7
For aluminium profiles only							
DIRIGENT interior/exterior L&S turn handle with PC hole without fixing screws	180°	aluminium	with lugs	yes	silver/EV 1 look	1	6-24615-96-0-1
					dark brown [1]	1	6-24615-96-0-5
					white, RAL 9016	1	6-24615-96-0-7
	90°	aluminium	with lugs	yes	silver/EV 1 look	1	6-24616-96-0-1
					dark brown [1]	1	6-24616-96-0-5
					white, RAL 9016	1	6-24616-96-0-7

[1] Similar to RAL 8022

L&S turn handles – stainless steel

Versions/order numbers

Designation	Detent	Material	Specifications	Lockable		PU	Order no.
DIRIGENT interior/exterior L&S turn handle with PC hole with fixing screws	180°	stainless steel	with lugs	yes		1	K-16795-00-0-8
	90°	stainless steel	with lugs	yes		1	K-16861-00-0-8

L&S turn handles – brass

Versions/order numbers

Designation	Detent	Material	Specifications	Lockable		PU	Order no.
DIRIGENT interior/exterior L&S turn handle with PC hole without fixing screws	180°	polished brass	with lugs	yes		1	6-26731-00-0-B

Contents: set, DIRIGENT turn handle: aluminium, stainless steel or brass

Contents	Piece(s)
DIRIGENT interior/exterior L&S turn handle set with PC hole	1
Fixing screws M6 x 100 mm	2
Square spindle (sash thickness up to 90 mm)	1

Note: For other sash thicknesses, the square spindle must be ordered separately.

Note: For other sash thicknesses, the fixing screws must be ordered separately.

Square spindle

Versions/order numbers			
Designation	ST [mm]	Length [mm]	Order no.
Square spindle 10 mm	56	145	Included in PU for turn handle
	68		
	78		
	88		
	90		
	92	150	9-24377-15-0-1
	110	170	9-24377-18-0-1

Fixing screws

Versions/order numbers			
Designation	ST [mm]	Length [mm]	Order no.
M6 fixing screws	56	80	9-13274-80-0-1
	68	80	9-13274-80-0-1
	78	90	9-13274-90-0-1
	88	100	9-13274-97-R-3 *
	90	100	9-13274-97-R-3 *
	92	100	9-13274-97-R-3 *
	110	125	9-13274-96-R-1

* Order only with version without lugs

Drilling jigs

Versions/order numbers			
Drilling jigs	PU	Order no.	
Drilling jig for the installation of turn handles – timber profiles	1	6-35524-00-0-1	
Drilling jig for the installation of turn handles – PVC profiles	1	9-27272-00-0-0	
Drilling jig for the installation of turn handles – aluminium profiles with Euro-groove	1	9-27272-01-0-0	

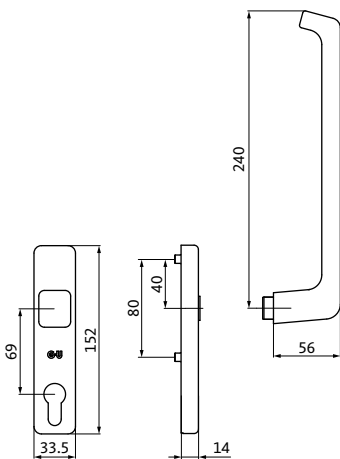
DIRIGENT – interior L&S turn handle with PC hole

without flush pull



Product information

- High-quality aluminium, stainless steel or brass turn handle, interior, with PC hole
- With 10 mm square size and 80 mm distance between screw centres
- Suitable for use with all customary timber, PVC or aluminium Lift&Slide profile systems for up to 400 kg sash weight
- Durability test with 25 000 cycles in compliance with DIN 13126 part 16
- Suitable for sash thicknesses up to 110 mm, adjustable square spindle
- Handle length 240 mm
- Handle height 70 mm



L&S turn handles – aluminium

Versions/order numbers							
Designation	Detent	Material	Specifications	Lockable	Finish	PU	Order no.
For aluminium profiles only							
DIRIGENT interior L&S turn handle with PC hole	180°	aluminium	with lugs	yes	silver/EV 1 look	1	6-24607-00-0-1
					dark brown [1]	1	6-24607-00-0-5
					white, RAL 9016	1	6-24607-00-0-7
	180°	aluminium	without lugs	yes	silver/EV 1 look	1	6-24609-00-0-1
					dark brown [1]	1	6-24609-00-0-5
					white, RAL 9016	1	6-24609-00-0-7
	90°	aluminium	without lugs	yes	silver/EV 1 look	1	6-24614-00-0-1
					dark brown [1]	1	6-24614-00-0-5
					white, RAL 9016	1	6-24614-00-0-7

[1] Similar to RAL 8022

L&S turn handles – stainless steel

Versions/order numbers							
Designation	Detent	Material	Specifications	Lockable		PU	Order no.
DIRIGENT interior L&S turn handle with PC hole	180°	stainless steel	with lugs	yes		1	K-16805-00-0-8
	90°	stainless steel	with lugs	yes		1	K-16865-00-0-8

L&S turn handles – brass

Versions/order numbers							
Designation	Detent	Material	Specifications	Lockable		PU	Order no.
DIRIGENT interior L&S turn handle with PC hole	180°	polished brass	with lugs	yes		1	6-26728-02-0-B
	90°	polished brass	with lugs	yes		1	6-26729-02-0-B

Contents: DIRIGENT L&S turn handle: aluminium, stainless steel or brass

Contents	Piece(s)
DIRIGENT interior L&S turn handle with PC hole	1
Square spindle (sash thickness up to 80 mm)	1

Note: For other sash thicknesses, the square spindle must be ordered separately.

Note: The fixing screws must be ordered separately depending on the sash thickness.

DIRIGENT – interior L&S turn handle with PC hole

without flush pull



Square spindle

Versions/order numbers

Designation	ST [mm]	Length [mm]	Order no.
Square spindle 10 mm	56	80	Included in PU for turn handle
	68		
	78		
	88	90	9-24377-50-0-1
	90	90	9-24377-50-0-1
	92	90	9-24377-50-0-1
	110	100	9-24377-60-0-1

Fixing screws

When attaching L&S turn handles on one side, please use suitable fixing screws for the material type and sash thickness of the Lift&Slide element.

Drilling jigs

Versions/order numbers

Drilling jigs	PU	Order no.
Drilling jig for the installation of turn handles – timber profiles	1	6-35524-00-0-1
Drilling jig for the installation of turn handles – PVC profiles	1	9-27272-00-0-0
Drilling jig for the installation of turn handles – aluminium profiles with Euro-groove	1	9-27272-01-0-0

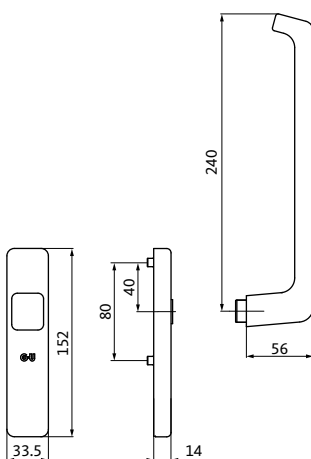
DIRIGENT – interior L&S turn handle without PC hole

without flush pull



Product information

- High-quality aluminium, stainless steel or brass turn handle, interior, without PC hole
- With 10 mm square size and 80 mm distance between screw centres
- Suitable for use with all customary aluminium Lift&Slide profile systems for up to 400 kg sash weight
- Durability test with 25 000 cycles in compliance with DIN 13126 part 16
- Suitable for sash thicknesses up to 110 mm, adjustable square spindle
- Handle length 240 mm
- Handle height 70 mm



DIRIGENT – interior L&S turn handle without PC hole

without flush pull



L&S turn handles – aluminium

Versions/order numbers

Designation	Detent	Material	Specifications	Lockable	Finish	PU	Order no.
DIRIGENT interior L&S turn handle without PC hole	180°	aluminium	with lugs	no	silver/EV 1 look	1	6-24606-00-0-1 [2]
					dark brown [1]	1	6-24606-00-0-5 [2]
					white, RAL 9016	1	6-24606-00-0-7 [2]
	180°	aluminium	without lugs	no	silver/EV 1 look	1	6-24608-00-0-1
					dark brown [1]	1	6-24608-00-0-5
					white, RAL 9016	1	6-24608-00-0-7
	90°	aluminium	without lugs	no	silver/EV 1 look	1	6-24613-00-0-1
					dark brown [1]	1	6-24613-00-0-5
					white, RAL 9016	1	6-24613-00-0-7

[1] Similar to RAL 8022 [2] Sash thickness up to 78 mm, square spindle not adjustable

L&S turn handles – stainless steel

Versions/order numbers

Designation	Detent	Material	Specifications	Lockable		PU	Order no.
DIRIGENT interior L&S turn handle without PC hole	180°	stainless steel	with lugs	no		1	K-16804-00-0-8

L&S turn handles – brass

Versions/order numbers

Designation	Detent	Material	Specifications	Lockable		PU	Order no.
DIRIGENT interior L&S turn handle without PC hole	180°	polished brass	with lugs	no		1	6-26728-01-0-B
	90°	polished brass	with lugs	no		1	6-26729-01-0-B

Contents: DIRIGENT L&S turn handle: aluminium, stainless steel or brass

Contents	Piece(s)
DIRIGENT interior L&S turn handle without PC hole	1
Square spindle (sash thickness up to 80 mm)	1

Note: For other sash thicknesses, the square spindle must be ordered separately.

Note: The fixing screws must be ordered separately depending on the sash thickness.

Square spindle

Versions/order numbers			
Designation	ST [mm]	Length [mm]	Order no.
Square spindle 10 mm	56	80	Included in PU for turn handle
	68		
	78		
	88	90	9-24377-50-0-1
	90	90	9-24377-50-0-1
	92	90	9-24377-50-0-1
	110	100	9-24377-60-0-1

Fixing screws

When attaching L&S turn handles on one side, please use suitable fixing screws for the material type and sash thickness of the Lift&Slide element.

Drilling jigs

Versions/order numbers		
Drilling jigs	PU	Order no.
Drilling jig for the installation of turn handles – aluminium profiles with Euro-groove	1	9-27272-01-0-0

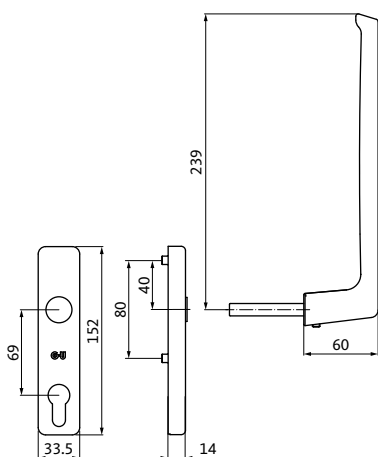
DIRIGENT – interior L&S turn handle with PC hole

without flush pull, removable



Product information

- High-quality aluminium turn handle, interior, with PC hole
- Removable, suitable for customer's own coating
- With 10 mm square size and 80 mm distance between screw centres
- Suitable for use with all customary timber, PVC or aluminium Lift&Slide profile systems for up to 400 kg sash weight
- Durability test with 25 000 cycles in compliance with DIN 13126 part 16
- Suitable for sash thicknesses up to 110 mm, adjustable square spindle
- Handle length 240 mm
- Handle height 74 mm



DIRIGENT – interior L&S turn handle with PC hole

without flush pull, removable



L&S turn handles

Versions/order numbers							
Designation	Detent	Material	Specifications	Lockable	Finish	PU	Order no.
DIRIGENT interior L&S turn handle with PC hole	180°	aluminium	with lugs	yes	silver/EV 1 look	1	K-17397-00-0-1
					dark brown [1]	1	K-17397-00-0-5
					white, RAL 9016	1	K-17397-00-0-7

[1] Similar to RAL 8022

Contents	Piece(s)
DIRIGENT interior L&S turn handle with PC hole	1
Square spindle (suitable for ST 110 mm)	1

Note: For other sash thicknesses, the square spindle must be ordered separately.

Note: The fixing screws must be ordered separately depending on the sash thickness.

Square spindle

Versions/order numbers			
Designation	ST [mm]	Length [mm]	Order no.
Square spindle 10 mm	56	80	9-24377-40-0-1
	68	80	9-24377-40-0-1
	78	80	9-24377-40-0-1
	88	90	9-24377-50-0-1
	90	90	9-24377-50-0-1
	92	90	9-24377-50-0-1
	110	100	Included in PU for turn handle

Fixing screws

When attaching L&S turn handles on one side, please use suitable fixing screws for the material type and sash thickness of the Lift&Slide element.

Drilling jigs

Versions/order numbers		
Drilling jigs	PU	Order no.
Drilling jig for the installation of turn handles – timber profiles	1	6-35524-00-0-1
Drilling jig for the installation of turn handles – PVC profiles	1	9-27272-00-0-0
Drilling jig for the installation of turn handles – aluminium profiles with Euro-groove	1	9-27272-01-0-0

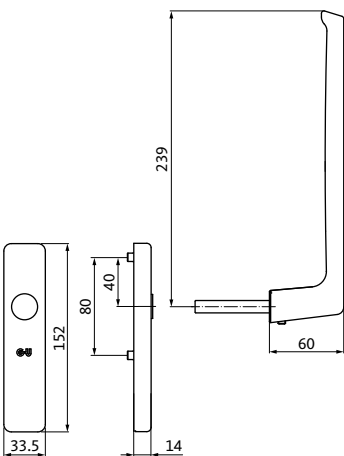
DIRIGENT – interior L&S turn handle without PC hole

without flush pull, removable



Product information

- High-quality aluminium turn handle, interior, without PC hole
- Removable, suitable for customer's own coating
- With 10 mm square size and 80 mm distance between screw centres
- Suitable for use with all customary timber, PVC or aluminium Lift&Slide profile systems for up to 400 kg sash weight
- Durability test with 25 000 cycles in compliance with DIN 13126 part 16
- Suitable for sash thicknesses up to 110 mm, adjustable square spindle
- Handle length 240 mm
- Handle height 74 mm



DIRIGENT – interior L&S turn handle without PC hole

without flush pull, removable



L&S turn handles

Versions/order numbers							
Designation	Detent	Material	Specifications	Lockable	Finish	PU	Order no.
DIRIGENT interior L&S turn handle without PC hole	180°	aluminium	with lugs	no	silver/EV 1 look	1	K-17396-00-0-1
					dark brown [1]	1	K-17396-00-0-5
					white, RAL 9016	1	K-17396-00-0-7

[1] Similar to RAL 8022

Contents	Piece(s)
DIRIGENT interior L&S turn handle without PC hole	1
Square spindle (suitable for ST 110 mm)	1

Note: For other sash thicknesses, the square spindle must be ordered separately.

Note: The fixing screws must be ordered separately depending on the sash thickness.

Square spindle

Versions/order numbers			
Designation	ST [mm]	Length [mm]	Order no.
Square spindle 10 mm	56	80	9-24377-40-0-1
	68	80	9-24377-40-0-1
	78	80	9-24377-40-0-1
	88	90	9-24377-50-0-1
	90	90	9-24377-50-0-1
	92	90	9-24377-50-0-1
	110	100	Included in PU for turn handle

Fixing screws

When attaching L&S turn handles on one side, please use suitable fixing screws for the material type and sash thickness of the Lift&Slide element.

Drilling jigs

Versions/order numbers		
Drilling jigs	PU	Order no.
Drilling jig for the installation of turn handles – timber profiles	1	6-35524-00-0-1
Drilling jig for the installation of turn handles – PVC profiles	1	9-27272-00-0-0
Drilling jig for the installation of turn handles – aluminium profiles with Euro-groove	1	9-27272-01-0-0

DIRIGENT – interior/exterior L&S turn handle set

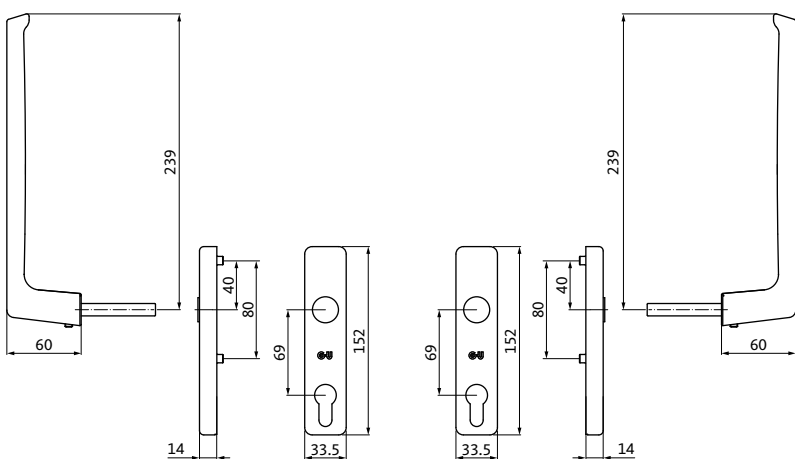
with PC hole

removable



Product information

- High-quality aluminium turn handles, interior and exterior, with PC hole
- Removable, suitable for customer's own coating
- With 10 mm square size and 80 mm distance between screw centres
- Suitable for use with all customary timber, PVC or aluminium Lift&Slide profile systems for up to 400 kg sash weight
- Durability test with 25 000 cycles in compliance with DIN 13126 part 16
- Suitable for sash thicknesses up to 110 mm, adjustable square spindle
- Handle length 240 mm
- Handle height 74 mm
- **Note:** We recommend the use of a buffer – see pages 225 and 226



DIRIGENT – L&S interior/exterior turn handle set with PC hole

removable



L&S turn handles

Versions/order numbers							
Designation	Detent	Material	Specifications	Lockable	Finish	PU	Order no.
DIRIGENT interior/exterior L&S turn handle with PC hole	180°	aluminium	with lugs	yes	silver/EV 1 look	1	K-17400-00-0-1
					dark brown [1]	1	K-17400-00-0-5
					white, RAL 9016	1	K-17400-00-0-7

[1] Similar to RAL 8022

Contents	Piece(s)
DIRIGENT interior/exterior L&S turn handle set with PC hole	1
Square spindle (suitable for ST 92 mm)	1

Note: For other sash thicknesses, the square spindle must be ordered separately.

Note: The fixing screws must be ordered separately depending on the sash thickness.

Square spindle

Versions/order numbers			
Designation	ST [mm]	Length [mm]	Order no.
Square spindle 10 mm	56	145	9-24377-96-0-1
	68	145	9-24377-96-0-1
	78	145	9-24377-96-0-1
	88	145	9-24377-96-0-1
	90	145	9-24377-96-0-1
	92	150	Included in PU for turn handle
	110	170	9-24377-18-0-1

Fixing screws

Versions/order numbers			
Designation	ST [mm]	Length [mm]	Order no.
M6 fixing screws	56	80	9-13274-80-0-1
	68	80	9-13274-80-0-1
	78	90	9-13274-90-0-1
	88	100	9-13274-97-R-3
	90	100	9-13274-97-R-3
	92	100	9-13274-97-R-3
	110	125	9-13274-96-R-1

Drilling jigs

Versions/order numbers		
Drilling jigs	PU	Order no.
Drilling jig for the installation of turn handles – timber profiles	1	6-35524-00-0-1
Drilling jig for the installation of turn handles – PVC profiles	1	9-27272-00-0-0
Drilling jig for the installation of turn handles – aluminium profiles with Euro-groove	1	9-27272-01-0-0

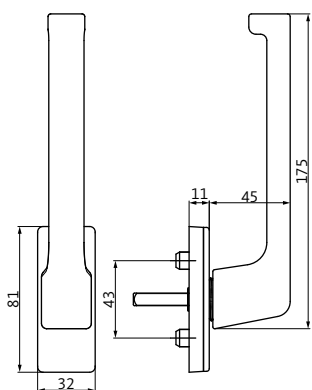
DIRIGENT – HL interior L&S turn handle without PC hole

for light Lift&Slide elements



Product information

- High-quality aluminium turn handle, interior, without PC hole
- With 7 x 37 mm square spindle, 43 mm distance between screw centres
- The square spindle can be enlarged to 10 mm (requires handle adapter set K-16554-01-0-1)
- Suitable for use with all customary timber, PVC or aluminium Lift&Slide profile systems for up to 120 kg sash weight
- Durability test with 25 000 cycles in compliance with DIN 13126 part 16
- For sash thicknesses up to 56 mm
- Handle length 160 mm
- Handle height 58 mm



DIRIGENT – HL interior L&S turn handle without PC hole

for light Lift&Slide elements



Versions/order numbers – L&S turn handle

Designation	Material	Specifications	Lockable	Finish	PU	Order no.
DIRIGENT HL interior L&S turn handle without PC hole	aluminium	with lugs	no	silver/EV 1 look	1	6-31809-37-0-11
				dark brown [1]	1	6-31809-37-0-5
				white, RAL 9016	1	6-31809-37-0-7

[1] Similar to RAL 8022

Versions/order numbers – required accessories

Designation	PU	Order no.
Handle adapter set	1	K-16554-01-0-1

Contains: 1 x fixing plate, 1 x spindle sleeve, fixing screws

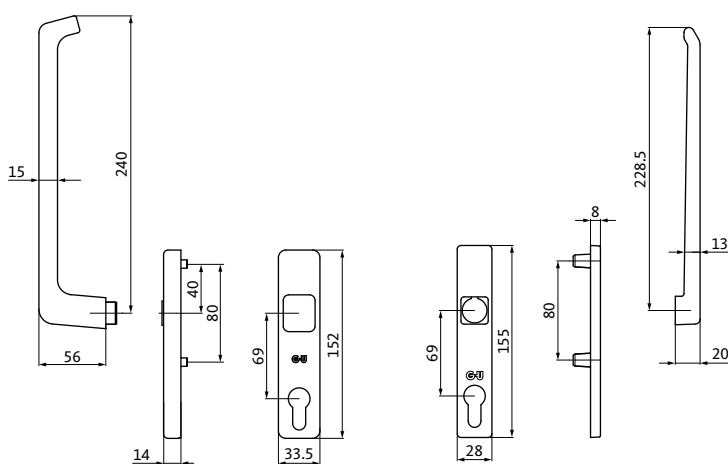
DIRIGENT – interior/exterior L&S turn handle set with PC hole

flat on the outside – outside height 30 mm



Product information

- High-quality aluminium turn handles, interior and exterior, with PC hole
- With 8 mm square size and 80 mm distance between screw centres
- Suitable for use with all customary timber, PVC or aluminium Lift&Slide profile systems for up to 400 kg sash weight
- Durability test with 25 000 cycles in compliance with DIN 13126 part 17
- Suitable for sash thickness up to 110 mm, square spindle can be cropped to necessary sash thickness
- Interior handle
 - Handle length 240 mm
 - Handle height 70 mm
- Exterior handle
 - Handle length 228.5 mm
 - Handle height 30 mm
- **Note:** We recommend the use of a buffer – see pages 225 and 226



DIRIGENT – interior/exterior L&S turn handle set with PC hole



flat on the outside – outside height 30 mm

L&S turn handles

Versions/order numbers							
Designation	Detent	Material	Specifications	Lockable	Finish	PU	Order no.
DIRIGENT interior/exterior L&S turn handle with PC hole	90°	aluminium	with lugs	yes	silver/EV 1 look	1	K-12919-00-0-1
					dark brown [1]	1	K-12919-00-0-5
					white, RAL 9016	1	K-12919-00-0-7

[1] Similar to RAL 8022

Contents	Piece(s)
DIRIGENT interior turn handle	1
DIRIGENT exterior turn handle	1
Fixing screws M6 x 75 mm (sash thickness up to 56 mm)	2
Square spindle 8 x 150 mm (sash thickness > 88 mm)	1
Spindle sleeve	1

Note: For other sash thicknesses, the square spindle must be ordered separately.

Note: For other sash thicknesses, the fixing screws must be ordered separately.

Square spindle

Versions/Order numbers			
Designation	ST [mm]	Length [mm]	Order number
Square size 8 mm	up to 88	90	9-30482-90-0-1
	> 88	150	Included in PU for turn handle

Fixing screws

Versions/order numbers			
Designation	ST [mm]	Length [mm]	Order no.
M6 fixing screws	56	75	Included in PU for turn handle
	68	80	9-13274-80-0-1
	78	90	9-13274-90-0-1
	88	100	9-13274-97-R-3
	90	100	9-13274-97-R-3
	92	100	9-13274-97-R-3
	110	125	9-13274-96-R-1

Drilling jigs

Versions/order numbers		
Drilling jigs	PU	Order no.
Drilling jig for the installation of turn handles – timber profiles	1	6-35524-00-0-1
Drilling jig for the installation of turn handles – PVC profiles	1	9-27272-00-0-0
Drilling jig for the installation of turn handles – aluminium profiles with Euro-groove	1	9-27272-01-0-0

DIRIGENT 4.0 – interior L&S turn handle with PC hole

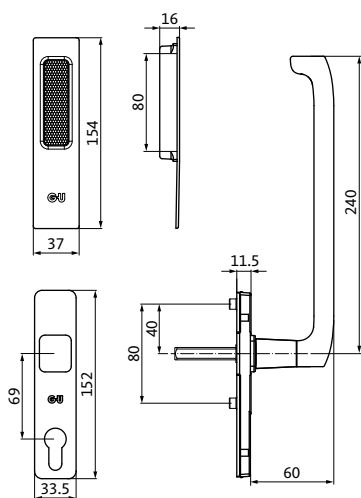
with exterior flush pull



Product information

The Lift&Slide turn handle generation DIRIGENT 4.0 adapts to the design of our DIRIGENT door handle hardware and, with a large distance between the handle and PC cover, offers users outstanding operating comfort.

- High-quality aluminium turn handle, interior, with PC hole
- Exterior flush pull
- Version with 10 mm fixed square with concealed fixing
- Distance between screw centres 80 mm
- Suitable for use with all customary timber, PVC or aluminium Lift&Slide profile systems for up to 400 kg sash weight
- Fixed backplate with friction washer
- Concealed screw connection
- Handle length 240 mm
- Handle height 78 mm



DIRIGENT 4.0 – interior L&S turn handle with PC hole

with exterior flush pull



L&S turn handles

Versions/Order numbers								
Designation	For sash thickness [mm]	Detent	Material	Specifications	Lockable	Finish	PU	Order no.
DIRIGENT 4.0 interior L&S turn handle with PC hole	68–78 [1]	180°	aluminium	with lugs	yes	EV1 silver	1	K-20216-50-0-1
						brown	1	K-20216-50-0-5
						black	1	K-20216-50-0-6
						white	1	K-20216-50-0-7
						titanium colour	1	K-20216-50-0-C
	88–92 [1]	180°	aluminium	with lugs	yes	EV1 silver	1	K-20216-60-0-1
						brown	1	K-20216-60-0-5
						black	1	K-20216-60-0-6
						white	1	K-20216-60-0-7
						cream white	1	K-20216-60-0-7V
					titanium colour	1	K-20216-60-0-C	

[1] May vary, depending on the material type and handle height

Contents (K-20216-50)	Piece(s)
DIRIGENT 4.0 interior L&S turn handle with PC hole	1
L&S flush pull	1
Fixed spindle square, with 50 mm projection (sash thickness 68–78 mm)	1

Contents (K-20216-60)	Piece(s)
DIRIGENT 4.0 interior L&S turn handle with PC hole	1
L&S flush pull	1
Fixed spindle square, with 60 mm projection (sash thickness 88–92 mm)	1

Note: The fixing screws must be ordered separately depending on the sash thickness.

Fixing screws

Versions/Order numbers			
Designation	ST [mm]	Length [mm]	Order number
M6 fixing screws	68	75	9-13274-75-0-1
	78	85	9-13274-85-0-1
	88	95	9-13274-95-R-1
	90	95	9-13274-95-R-1
	92	100	9-13274-97-R-3

Drilling jigs

Versions/order numbers		
Drilling jigs	PU	Order no.
Drilling jig for the installation of turn handles – timber profiles	1	6-35524-00-0-1
Drilling jig for the installation of turn handles – PVC profiles	1	9-27272-00-0-0
Drilling jig for the installation of turn handles – aluminium profiles with Euro-groove	1	9-27272-01-0-0

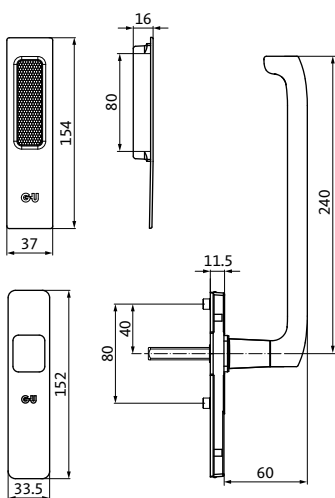
DIRIGENT 4.0 – interior L&S turn handle without PC hole-type with exterior flush pull



Product information

The Lift&Slide turn handle generation DIRIGENT 4.0 adapts to the design of our DIRIGENT door handle hardware and, with a large distance between the handle and PC cover, offers users outstanding operating comfort.

- High-quality aluminium turn handle, interior, without PC hole-type
- Exterior flush pull
- Version with 10 mm fixed square with concealed fixing
- Distance between screw centres 80 mm
- Suitable for use with all customary timber, PVC or aluminium Lift&Slide profile systems for up to 400 kg sash weight
- Fixed backplate with friction washer
- Concealed screw connection
- Handle length 240 mm
- Handle height 78 mm



DIRIGENT 4.0 – interior L&S turn handle without PC hole-type with exterior flush pull



L&S turn handles

Versions/Order numbers								
Designation	For sash thickness [mm]	Detent	Material	Specifications	Lockable	Finish	PU	Order no.
DIRIGENT 4.0 interior L&S turn handle without PC hole	68–78 [1]	180°	aluminium	with lugs	no	EV1 silver	1	K-19844-50-0-1
						brown	1	K-19844-50-0-5
						black	1	K-19844-50-0-6
						white	1	K-19844-50-0-7
						titanium colour	1	K-19844-50-0-C
	88–92 [1]	180°	aluminium	with lugs	no	EV1 silver	1	K-19844-60-0-1
						brown	1	K-19844-60-0-5
						black	1	K-19844-60-0-6
						white	1	K-19844-60-0-7
						cream white	1	K-19844-60-0-7V
						titanium colour	1	K-19844-60-0-C

[1] May vary, depending on the material type and handle height

Contents (K-19844-50)	Piece(s)
DIRIGENT 4.0 interior L&S turn handle without PC hole-type	1
L&S flush pull	1
Fixed spindle square, with 50 mm projection (sash thickness 68–78 mm)	1

Contents (K-19844-60)	Piece(s)
DIRIGENT 4.0 interior L&S turn handle without PC hole-type	1
L&S flush pull	1
Fixed spindle square, with 60 mm projection (sash thickness 88–92 mm)	1

Note: The fixing screws must be ordered separately depending on the sash thickness.

Fixing screws

Versions/Order numbers			
Designation	ST [mm]	Length [mm]	Order number
M6 fixing screws	68	75	9-13274-75-0-1
	78	85	9-13274-85-0-1
	88	95	9-13274-95-R-1
	90	95	9-13274-95-R-1
	92	100	9-13274-97-R-3

Drilling jigs

Versions/order numbers		
Drilling jigs	PU	Order no.
Drilling jig for the installation of turn handles – timber profiles	1	6-35524-00-0-1
Drilling jig for the installation of turn handles – PVC profiles	1	9-27272-00-0-0
Drilling jig for the installation of turn handles – aluminium profiles with Euro-groove	1	9-27272-01-0-0

DIRIGENT 4.0 – interior L&S turn handle without PC hole-type

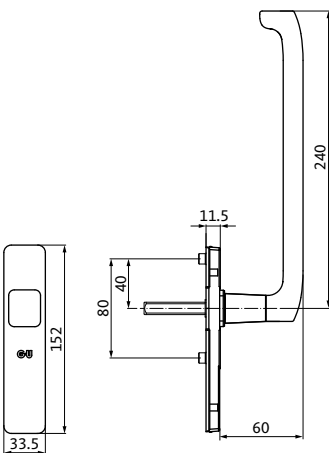
without flush pull



Product information

The Lift&Slide turn handle generation DIRIGENT 4.0 adapts to the design of our DIRIGENT door handle hardware and, with a large distance between the handle and PC cover, offers users outstanding operating comfort.

- High-quality stainless steel turn handle, interior, without PC hole
- Version with 10 mm fixed square with concealed fixing
- Distance between screw centres 80 mm
- Suitable for use with all customary timber, PVC or aluminium Lift&Slide profile systems for up to 400 kg sash weight
- Fixed backplate with friction washer
- Concealed screw connection
- Handle length 240 mm
- Handle height 78 mm



DIRIGENT 4.0 – interior L&S turn handle without PC hole-type

without flush pull



L&S turn handles

Versions/Order numbers								
Designation	For sash thickness [mm]	Detent	Material	Specifications	Lockable		PU	Order no.
DIRIGENT 4.0 interior L&S turn handle without PC hole	68–78 [1]	180°	stainless steel	with lugs	no		1	K-19846-50-0-8

[1] May vary, depending on the material type and handle height

Contents	Piece(s)
DIRIGENT 4.0 interior L&S turn handle without PC hole-type	1
Fixed spindle square, with 50 mm projection (sash thickness 68–78 mm)	1

Note: The fixing screws must be ordered separately depending on the sash thickness.

Fixing screws

Versions/Order numbers			
Designation	ST [mm]	Length [mm]	Order number
M6 fixing screws	68	75	9-13274-75-0-1
	78	85	9-13274-85-0-1

Drilling jigs

Versions/order numbers		
Drilling jigs	PU	Order no.
Drilling jig for the installation of turn handles – timber profiles	1	6-35524-00-0-1
Drilling jig for the installation of turn handles – PVC profiles	1	9-27272-00-0-0
Drilling jig for the installation of turn handles – aluminium profiles with Euro-groove	1	9-27272-01-0-0

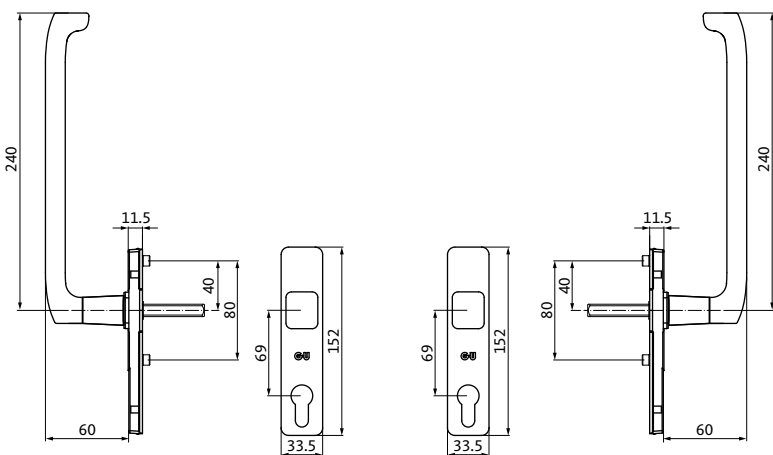
DIRIGENT 4.0 – interior/exterior L&S turn handle set with PC hole



Product information

The Lift&Slide turn handle generation DIRIGENT 4.0 adapts to the design of our DIRIGENT door handle hardware and, with a large distance between the handle and PC cover, offers users outstanding operating comfort.

- High-quality aluminium turn handles, interior and exterior, with PC hole
- Version with 10 mm fixed square with concealed fixing
- Distance between screw centres 80 mm
- Suitable for use with all customary timber, PVC or aluminium Lift&Slide profile systems for up to 400 kg sash weight
- Fixed backplate with friction washer
- Concealed screw connection
- Handle length 240 mm
- Handle height 78 mm
- **Note:** We recommend the use of a buffer – see pages 225 and 226



L&S turn handles

Versions/Order numbers								
Designation	For sash thickness [mm]	Detent	Material	Specifications	Lockable	Finish	PU	Order number
DIRIGENT 4.0 interior/exterior L&S turn handle with PC hole	68-92 [1]	180°	aluminium	with lugs	yes	EV1 silver	1	K-20217-C0-0-1
						brown	1	K-20217-C0-0-5
						black	1	K-20217-C0-0-6
						white	1	K-20217-C0-0-7
						titanium colour	1	K-20217-C0-0-C

[1] May vary, depending on the material type and handle height

Contents	Piece(s)
DIRIGENT 4.0 interior/exterior L&S turn handle set with PC hole	1
Fixed square spindle (sash thickness 68-92 mm)	1

Note: The fixing screws must be ordered separately depending on the sash thickness.

Fixing screws

Versions/Order numbers			
Designation	ST [mm]	Length [mm]	Order number
M6 fixing screws	68	75	9-13274-75-0-1
	78	85	9-13274-85-0-1
	88	95	9-13274-95-R-1
	90	95	9-13274-95-R-1
	92	100	9-13274-97-R-3

Drilling jigs

Versions/order numbers		
Drilling jigs	PU	Order no.
Drilling jig for the installation of turn handles – timber profiles	1	6-35524-00-0-1
Drilling jig for the installation of turn handles – PVC profiles	1	9-27272-00-0-0
Drilling jig for the installation of turn handles – aluminium profiles with Euro-groove	1	9-27272-01-0-0

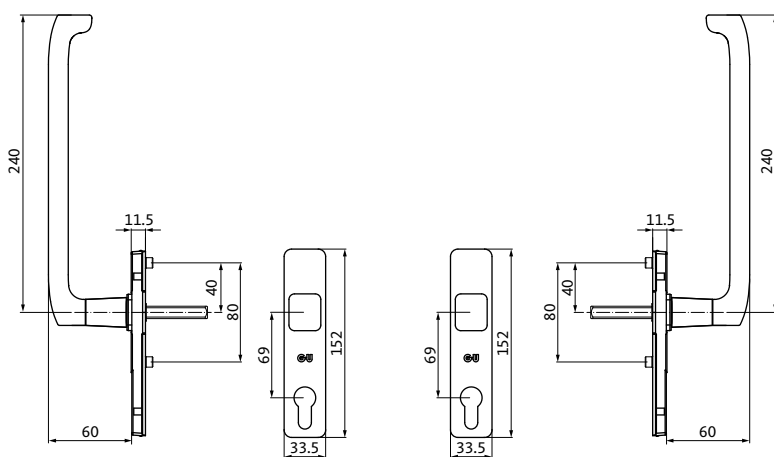
DIRIGENT 4.0 – interior/exterior L&S turn handle set with PC hole



Product information

The Lift&Slide turn handle generation DIRIGENT 4.0 adapts to the design of our DIRIGENT door handle hardware and, with a large distance between the handle and PC cover, offers users outstanding operating comfort.

- High-quality stainless steel turn handles, interior and exterior, with PC hole
- Version with 10 mm fixed square with concealed fixing
- Distance between screw centres 80 mm
- Suitable for use with all customary timber, PVC or aluminium Lift&Slide profile systems for up to 400 kg sash weight
- Fixed backplate with friction washer
- Concealed screw connection
- Handle length 240 mm
- Handle height 78 mm
- **Note:** We recommend the use of a buffer – see pages 225 and 226



L&S turn handles

Versions/Order numbers								
Designation	For sash thickness [mm]	Detent	Material	Specifications	Lockable		PU	Order number
DIRIGENT 4.0 interior/exterior L&S turn handle with PC hole	68–88 [1]	180°	stainless steel	with lugs	yes		1	K-19847-C0-0-8

[1] May vary, depending on the material type and handle height

Contents	Piece(s)
DIRIGENT 4.0 interior/exterior L&S turn handle set with PC hole	1
Fixed square spindle (sash thickness 68-88 mm)	1

Note: The fixing screws must be ordered separately depending on the sash thickness.

Fixing screws

Versions/Order numbers			
Designation	ST [mm]	Length [mm]	Order number
M6 fixing screws	68	75	9-13274-75-0-1
	78	85	9-13274-85-0-1
	88	95	9-13274-95-R-1

Drilling jigs

Versions/order numbers		
Drilling jigs	PU	Order no.
Drilling jig for the installation of turn handles – timber profiles	1	6-35524-00-0-1
Drilling jig for the installation of turn handles – PVC profiles	1	9-27272-00-0-0
Drilling jig for the installation of turn handles – aluminium profiles with Euro-groove	1	9-27272-01-0-0