



WINDOW TECHNOLOGY
DOOR TECHNOLOGY
AUTOMATIC ENTRANCE SYSTEMS
BUILDING MANAGEMENT SYSTEMS



DOOR TECHNOLOGY – ORDER CATALOG

Lift&Slide Hardware



Securing technology for you





Application

Range of applications for GU Lift&Slide fittings:

- Lift&Slide patio doors with 2 to 4 sashes
- Lift&Slide windows with 2 to 4 sashes

Designs

Lift&Slide fittings GU-934, GU-937

Fittings with 4-wheel carriages and clamp fixed connecting bar. Wheels made of fabric reinforced laminated plastic with ball bearing. For sash thicknesses 56mm up to 92 and 110mm, sash clearances 28mm as standard, 10, 22, 25mm available. Lift-locking gear with 37,5 and 27,5mm backset and cylinder bore. Sash height from 850 - 2750mm std. and taller with extensions.

Sash weights:

GU-934 = single sash up to 300 kg; additional 400 & 600 kg capacities available.

GU-937 = single sash up to 150 kg

Turn handles

The DIRIGENT handles are made of aluminum with concealed fixings. Rosettes with robust retaining feature. Other handle styles include RONDO & FORTE.

Standard version: handles without cylinder bore. Handles with cylinder bore, handles for operation on both sides with cylinder bore and removable handles complete the program.

Top guides

Top guides P 1786

Aluminum gliding rails for lift-slide sashes.

Sash thickness 56 & 68mm standard with thickness up to 110mm.

Top guide P 1850

Aluminum gliding rails for lift-slide sashes.

Sash thickness from 68mm standard with thickness up to 110mm.

Standard colors

Lift-slide fittings are supplied in the following standard colors:

EV 1 Visible aluminum parts anodized EV 1 (Silver)

UC 5 Visible aluminum parts anodized dark bronze

White Visible aluminum parts white (RAL 9016), tubular sills anodized EV 1 (Silver).

Further colors and finishes for handles on request.

Standard surface sealing of lift-slide fittings: ferGUard*silver

The fitting parts are made of high quality steel, zinc die-casting and aluminum alloys.

Locking components and runners of lift-slide fittings come with the surface sealing ferGUard*silver. As an additional level of protection, runners are available in FaceGUard.

Thresholds

Timber threshold

Fabricator designed and manufactured threshold with applicable rails and accessories.

GU-timberstep 164

Threshold with thermal break for lift-slide elements:

- Small installation height of 22mm (without running rail)
- Subsequent exchange of running rail possible
- Modular system: Corner joints and other accessories can also be used for GU-threshold 47 and GU-flatstep, thus allowing for optimized stock keeping.
- Applicable for timber doors
- Sash clearance 28 and 10mm
- Timber profile thickness up to 88mm

The following thresholds are available upon request:

GU-thermostep

Threshold with thermal break for Lift&Slide elements:

- Subsequent exchange of running rail possible
- No drilling for running rail on the vertical frame profile
- Modular system: tread threshold, various drip rails and running rails to be clipped on
- Identical basic profile for timber and PVC doors
- Anti moisture foil directly connected to the drip rail
- Sash clearance 10 to 28mm
- Timber profile thickness 56 to 110mm

GU-threshold 47

Threshold with thermal break for Lift&Slide elements:

- Small installation height of 47mm (without running rail)
- Subsequent exchange of running rail possible
- Modular system: Corner joints and other accessories can also be used for GU-flatstep and GU-timberstep 164, thus allowing for optimized stock keeping.
- Applicable for timber and PVC doors
- Inclusive drip rail
- Sash clearance 28 and 10mm
- Timber profile thickness up to 68mm

GU-flatstep

Threshold with thermal break for Lift&Slide elements:

- Small installation height of 22mm (without running rail)
- Subsequent exchange of running rail possible
- Modular system: Corner joints and other accessories can also be used for GU-threshold 47 and GU-timberstep 164, thus allowing for optimized stock keeping.
- Applicable for timber and PVC doors
- Sash clearance 28 and 10mm
- Timber profile thickness up to 68mm



Application range of Lift&Slide hardware

| Fittings | Opening method | Sash arrangement according to scheme A C D E L | Sash weight max. kg | Sash thickness ST mm | Sash clearance mm | Backset mm | Sash width SW mm | SH mm Top guides P 1786, 1850 | Standard drawing scheme A |
|-----------|----------------|---|---------------------|----------------------|-------------------|------------|------------------|-------------------------------------|---------------------------|
| GU-934 H | Patio door | • • • • • | 300 | 56-110 | 10-28 | 37,5[1] | 700-3300 | 1851-2750 | 046522 & 0-46510/P1786 |
| GU-934 HF | Window | • • • | 300 | 56-110 | 10-28 | 37,5[1] | 700-3300 | 850-1850 | 0-46524/P1850 |
| GU-937 H | Patio door | • • • • • | 150 | 56-110 | 10-28 | 27,5[2] | 700-2200 | 1851-2750 | 0-46522 & 0-46510/P1786 |
| GU-937 HF | Window | • • • | 150 | 56-110 | 10-28 | 27,5[2] | 700-2200 | 850-1850 | 0-46524/P1850 |

[1] = Backset 27,5 mm also possible [2] = Backset 37,5mm also possible

Application range of thresholds

| Threshold | Sash arrangement according to scheme A C D E F K L | Sash thickness ST mm | Sash clearance mm | Standard drawing scheme A |
|-------------------|---|-----------------------------------|--------------------------|---------------------------|
| GU-thermostep | • • • • • • • | 56, 68 78, 88 90 92, 110 | 10, 28 28 25 22 | 0-44160 |
| GU-threshold 47 | • • • • | 56, 68 | 10, 28 | 0-45156 |
| GU-flatstep | • • • • | 56, 68 | 10, 28 | 0-45432 |
| GU-timberstep 164 | • • • • | 56, 68 78 | 10, 28 28 | 0-45433 |

Application range of guide tracks

| Top guide | Sash arrangement according to scheme A C D E L | Sash thickness ST mm | Sash clearance mm |
|-----------|---|-----------------------------|-------------------|
| P 1786 | • • • • • | 68, 78, 88 90 92, 110 | 28 25 22 |
| P 1850 | • • • • • | 68, 78, 88 90 92, 110 | 28 25 22 |

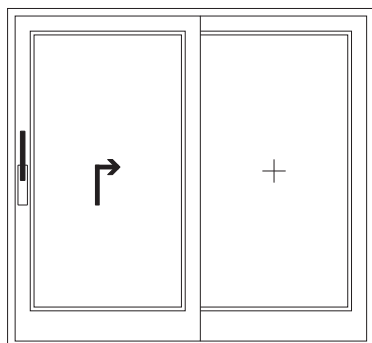
Abbreviations

| | |
|-----|---|
| AD | Assembly drawing |
| CB | Cylinder bore |
| FS | Fixed sash |
| G | Fixed gear position |
| H | Fittings for timber windows and patio doors |
| lh | left hand |
| PU | Packing unit |
| rh | right hand |
| SC | Sash clearance |
| SH | Sash height |
| ST | Sash thickness |
| SW | Sash width |
| TFW | Total frame width |



Sash configuration according to schemes A to L

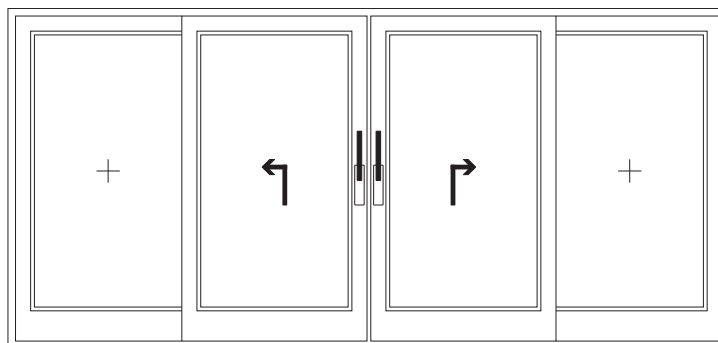
All schemes: panel perspective is inside



Scheme A

1 Lift&Slide sash, 1 fixed panel

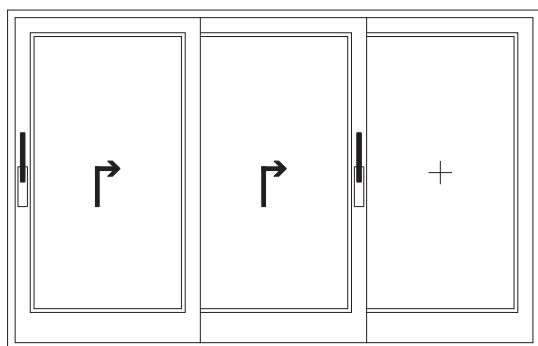
Fig. shows left hand handle



Scheme C

2 Lift&Slide sashes, 2 fixed panels

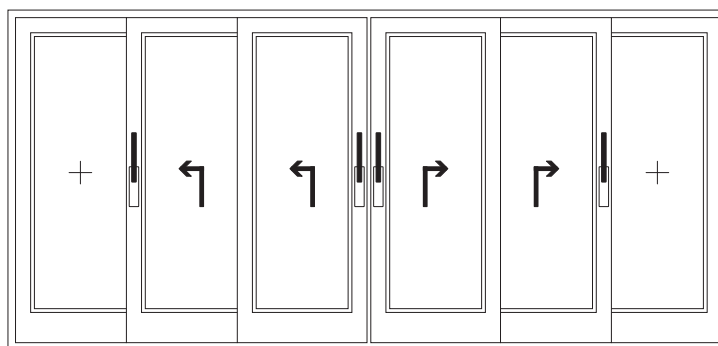
Fig. shows left hand and right hand handles



Scheme E

2 Lift&Slide sashes, 1 fixed panel

Fig. shows left hand and right hand handles



Scheme L

4 Lift&Slide sashes, 2 fixed panels

Fig. shows left hand and right hand handles



05.1

GU-934/937 H Timber Hardware

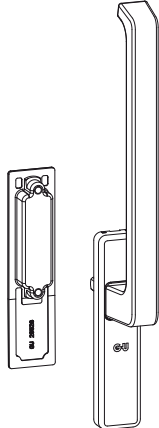
| | |
|--|---------|
| DIRIGENT Turn Handles – Aluminum..... | 05.1.3 |
| DIRIGENT Turn Handles – Polished Brass..... | 05.1.4 |
| DIRIGENT Turn Handles – Stainless Steel..... | 05.1.4 |
| RONDO Turn Handles – Stainless Steel..... | 05.1.5 |
| FORTE Turn Handles – Stainless Steel..... | 05.1.5 |
| Optional Parts | 05.1.6 |
| GU-934 Hardware, Sash Clearance 28mm, Sash Thickness 56mm - 68mm | 05.1.7 |
| GU-937 Hardware, Sash Clearance 28mm, Sash Thickness 56mm - 68mm | 05.1.8 |
| P 1786 Top Guide Elevation with Timber Threshold..... | 05.1.9 |
| P 1786 Top Guide and Bottom Tracks, Timber Threshold, 56mm - 68mm Sash..... | 05.1.10 |
| P 1786 Top Guide, Timber Threshold, Schemes A & C, 56mm - 68mm Sash | 05.1.11 |
| P 1786 Top Guide, Timber Threshold, Schemes E & L, 15mm Btm Track, 56mm - 68mm Sash | 05.1.12 |
| P 1786 Top Guide, Timber Threshold, Schemes E & L, 5mm Btm Track, 56mm - 68mm Sash..... | 05.1.13 |
| P 1786 Kit Components..... | 05.1.14 |
| P 1850 Top Guide Elevation with Timber Threshold | 05.1.15 |
| P 1850 Top Guide and Bottom Tracks, Timber Threshold, 68mm Sash..... | 05.1.16 |
| P 1850 Top Guide, Timber Threshold, Schemes A & C, 68mm Sash | 05.1.17 |
| P 1850 Top Guide, Timber Threshold, Schemes E & L, 68mm Sash..... | 05.1.18 |
| P 1850 Kit Components | 05.1.19 |
| P 1786 Top Guide Elevation with Timberstep 164..... | 05.1.20 |
| P 1786 Top Guide, Timberstep 164, 56mm - 68mm Sash | 05.1.21 |
| P 1786 Top Guide, Timberstep 164, Schemes A & C, 56mm - 68mm Sash | 05.1.23 |
| P 1850 Top Guide Elevation with Timberstep 164 | 05.1.24 |
| P 1850 Top Guide, Timberstep 164, 68mm Sash | 05.1.25 |
| P 1850 Top Guide, Timberstep 164, Schemes A & C, 68mm Sash | 05.1.27 |

GU-934/937 H Lift&Slide Hardware

Turn Handles for Windows and Patio Doors



DIRIGENT turn handles – aluminum

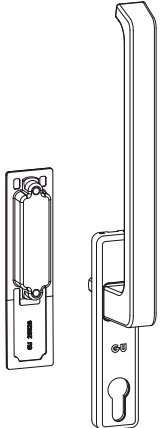


Contents:
1 DIRIGENT turn handle inside, without PC hole
1 flush pull

240mm handle length

Inside turn handle set – GU-934/937 DIRIGENT without PC hole
68mm sash thickness
K-13265-00-0-*

* = color: 1 = EV1 (Silver)
5 = UC5 (Dark Bronze)
7 = White

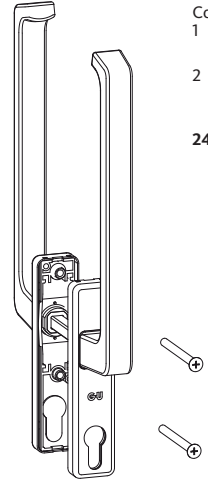


Contents:
1 DIRIGENT turn handle inside, with PC hole
1 flush pull

240mm handle length

Inside turn handle set – GU-934/937 DIRIGENT with PC hole
ST up to 80mm, adjustable spindle length
K-13266-00-0-*

* = color: 1 = EV1 (Silver)
5 = UC5 (Dark Bronze)
7 = White




Contents:
1 DIRIGENT turn handle both sides with PC hole
2 countersunk screws M 6 x 100

240mm handle length


Turn handles set, both sides – GU-934/937 DIRIGENT with PC hole
ST up to 90mm, adjustable spindle length
K-13267-00-0-*

* = color: 1 = EV1 (Silver)
5 = UC5 (Dark Bronze)
7 = White


Accessories



Cover rosette, inside without PC hole
6-23243-01-0-*

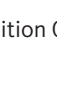


Cover only
9-37909-01-0-*




Cover rosette, inside with PC hole
6-23243-02-0-*

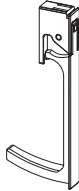
Cover only
9-37909-02-0-*




Cover rosette, outside
9-29527-00-0-*



DIRIGENT Removable handle
240mm handle length
6-24619-00-0-*



Pull handle
(installation on lift-locking gear)
6-C7960-00-0-6



Flush pull
Aluminium
9-29526-00-0-*

Stainless steel
9-42737-01-0-8

Square spindles and fixing screws for turn handles

| Timber | Turn handle, inside / flush pull or cover rosette outside | | Turn handle, outside | |
|--------|---|-----------------------------|------------------------------|-----------------------------|
| | Spindle 10 mm | Fastening screw M 6 | Spindle 10 mm | Fastening screw M 6 [4] |
| IV 56 | [1] | 9-13274-60-0-1 M 6 x 60 | [3] | 9-13274-70-0-1 M 6 x 70 |
| IV 68 | [1] | 9-13274-70-0-1 M 6 x 70 | [3] | 9-13274-80-0-1 M 6 x 80 |
| IV 78 | [2] | 9-13274-80-0-1 M 6 x 80 | [3] | 9-13274-90-0-1 M 6 x 90 |
| IV 88 | 9-24377-50-0-1 L = 90 mm | 9-32789-10-R-3 M 6 x 100 | [3] | 9-13274-97-R-3 M 6 x 100 |
| IV 90 | 9-24377-50-0-1 L = 90 mm | 9-32789-10-R-3 M 6 x 100 | [3] | 9-13274-97-R-3 M 6 x 100 |
| IV 92 | 9-24377-50-0-1 L = 90 mm | 9-32789-10-R-3 M 6 x 100 | 9-24377-96-0-1 L = 145 mm | 9-13274-97-R-3 M 6 x 100 |
| IV 110 | 9-24377-60-0-1 L = 100 mm | 9-32789-**-R-3 M 6 x 115 | 9-24377-18-0-1 L = 170 mm | 9-32789-**-R-3 M 6 x 120 |

- [1] = contained in inside handle set – ST up to 68 mm, fixed spindle.
 [2] = contained in inside handle set – ST up to 80 mm, adjustable spindle length.
 [3] = contained in both sides handle set – ST up to 90 mm, adjustable spindle length.
 [4] = contained in both sides handle set, aluminium and stainless steel, up to IV 90.



GU-934/937 H Lift&Slide Hardware

Turn Handles for Windows and Patio Doors



DIRIGENT turn handles – polished brass

240mm handle length

Inside turn handle – GU-934/937 DIRIGENT without PC hole
ST up to 80mm, adjustable spindle length
6-26728-01-0-B

Flush pull
(order separately)
9-34957-00-0-3

Countersunk screw M 6
acc. to sash thickness
(order separately)

240mm handle length

Inside turn handle – GU-934/937 DIRIGENT with PC hole
ST up to 80mm, adjustable spindle length
6-26728-02-0-B

Flush pull
(order separately)
9-34957-00-0-3

Countersunk screw M 6
acc. to sash thickness
(order separately)

240mm handle length

Turn handle set, both sides – GU-934/937 DIRIGENT with PC hole
ST up to 90mm, adjustable spindle length
6-26731-00-0-B

Countersunk screw M 6
(order separately)
45-90mm sash thickness
9-32789-10-0-1

DIRIGENT turn handles – stainless steel

Contents:
1 DIRIGENT turn handle inside, without PC hole
1 flush pull

240mm handle length

Inside turn handle set – GU-934/937 DIRIGENT without PC hole
ST up to 80mm, adjustable spindle length
K-16793-00-0-8

Contents:
1 DIRIGENT turn handle inside, with PC hole
1 flush pull

240mm handle length

Inside turn handle set – GU-934/937 DIRIGENT with PC hole
ST up to 80mm, adjustable spindle length
K-16794-00-0-8

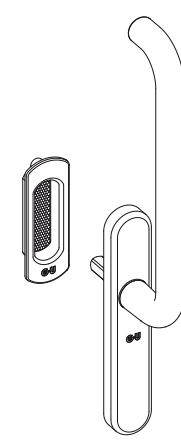
Contents:
1 DIRIGENT turn handle both sides with PC hole
2 countersunk screws M 6 x 100

240mm handle length

Turn handles set, both sides – GU-934/937 DIRIGENT with PC hole
ST up to 90mm, adjustable spindle length
K-16795-00-0-8



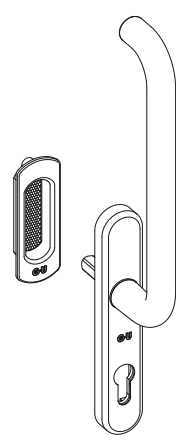
RONDO turn handles – stainless steel



Contents:
1 RONDO turn handle inside, without PC hole
1 flush pull

240mm handle length

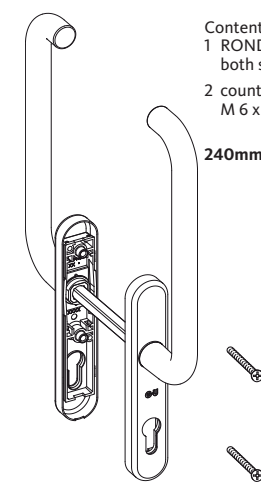
Inside turn handle set – GU-934/937
RONDO without PC hole
ST up to 80mm, adjustable spindle length
K-16796-00-0-8



Contents:
1 RONDO turn handle inside, with PC hole
1 flush pull

240mm handle length

Inside turn handle set – GU-934/937
RONDO with PC hole
ST up to 80mm, adjustable spindle length
K-16797-00-0-8



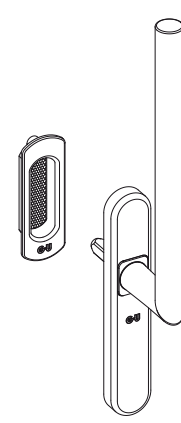
Contents:
1 RONDO turn handle both sides with PC hole
2 countersunk screws M 6 x 100

240mm handle length

Turn handles set, both sides – GU-934/937
RONDO with PC hole
ST up to 90mm, adjustable spindle length
K-16798-00-0-8

05
1

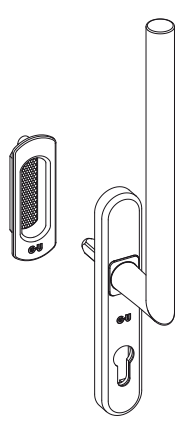
FORTE turn handles – stainless steel



Contents:
1 FORTE turn handle inside, without PC hole
1 flush pull

240mm handle length

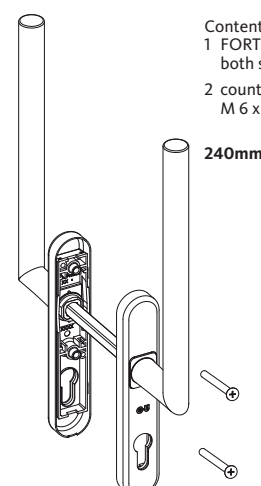
Inside turn handle set – GU-934/937
FORTE without PC hole
ST up to 80mm, adjustable spindle length
K-17015-00-0-8



Contents:
1 FORTE turn handle inside, with PC hole
1 flush pull

240mm handle length

Inside turn handle set – GU-934/937
FORTE with PC hole
ST up to 80mm, adjustable spindle length
K-17016-00-0-8



Contents:
1 FORTE turn handle both sides with PC hole
2 countersunk screws M 6 x 100

240mm handle length

Turn handles set, both sides – GU-934/937
FORTE with PC hole
ST up to 90mm, adjustable spindle length
K-17017-00-0-8



L&S meeting stile security profile set



L&S meeting stile security profile - SD 10

| Part Number | Length |
|------------------|--------|
| K-15797-24-0-1/6 | 2400mm |
| K-15797-29-0-1/6 | 2900mm |

Optional extension:

| | |
|------------------|-------|
| K-16855-00-0-1/6 | 500mm |
|------------------|-------|



L&S meeting stile security profile - SD 16/20

| Part Number | Length |
|------------------|--------|
| K-15798-24-0-1/6 | 2400mm |
| K-15798-29-0-1/6 | 2900mm |

Optional extension:

| | |
|------------------|-------|
| K-16856-00-0-1/6 | 500mm |
|------------------|-------|

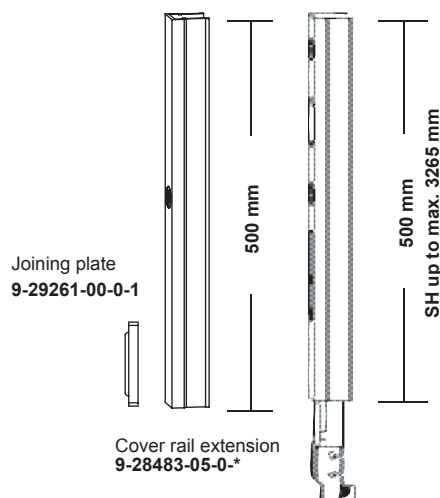


L&S meeting stile security profile - SD 25/29

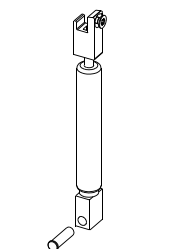
| Part Number | Length |
|------------------|--------|
| K-15799-24-0-1/6 | 2400mm |
| K-15799-29-0-1/6 | 2900mm |

Optional extension:

| | |
|------------------|-------|
| K-16857-00-0-1/6 | 500mm |
|------------------|-------|



Gear extension
6-32030-00-0-*



Handle dampener kit
for child safety
K-19053-00-0-6



Tension spring for
sashes above 200kg
9-40235-05-0-0



for
P1636



for
P1659



for
P1635

Gasket pad for roller carriage groove - schemes D, E & L

G-U 934: P1636 / 5 roller track 9-44979-05-0-6

P1659 / 10 roller track 9-44979-10-0-6

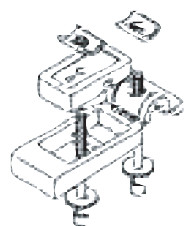
P1635 / 15 roller track 9-44979-15-0-6

G-U 937: P1636 / 5 roller track 9-45105-05-0-6

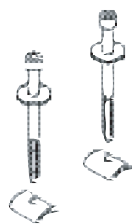
P1659 / 10 roller track 9-45105-10-0-6

P1635 / 15 roller track 9-45105-15-0-6

* The combination of the dampening device with the tension spring is recommended for sashes above 200kg.



Bag of corner joint parts,
bottom
FD 56 mm K-11705-00-0-0
FD 68 mm K-13113-00-0-0



Bag of corner
joint parts, top
K-10323-00-0-0

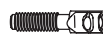
10mm square spindle
ST 45-92 mm
9-24377-96-0-1



Countersunk screw
M 6
ST 45-92 mm
9-32789-10-0-1



Locking bolt -
Night vent
9-29228-00-0-1



Drive in nut for
Locking bolt
9-39113-00-R-1
WZ 0-44188

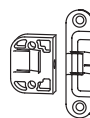


Intermediate profile - Timberstep
36.5mm wide P-01741-33-0-1/6

Intermediate profile - Timber threshold
41mm wide 9-39317-33-0-1/6

Intermediate profile - Timber threshold
scheme E & L, 45mm wide
9-40413-33-0-1/6

Bag of vertical middle lock
SC 10 = K-11864-00-0-1
SC 28 = K-17132-00-0-1
WZ 0-36943



Gasket, P742
100M roll
W-751011



Gasket, P1156
100M roll
W-751037-00-0-6

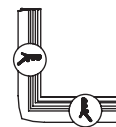


Gasket, P1483
100M roll
W-751048



Gasket, P743
100M roll
W-751012-00-0-6X

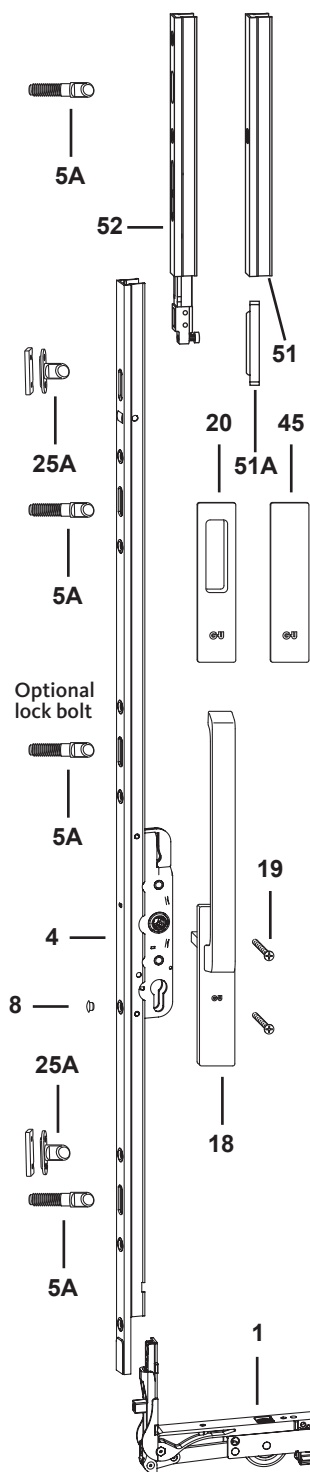
20M roll
W-751012-20-0-6X



Quarter frame of gasket P 743
L = 2500 9-26729-25-0-6
L = 3500 9-26729-35-0-6

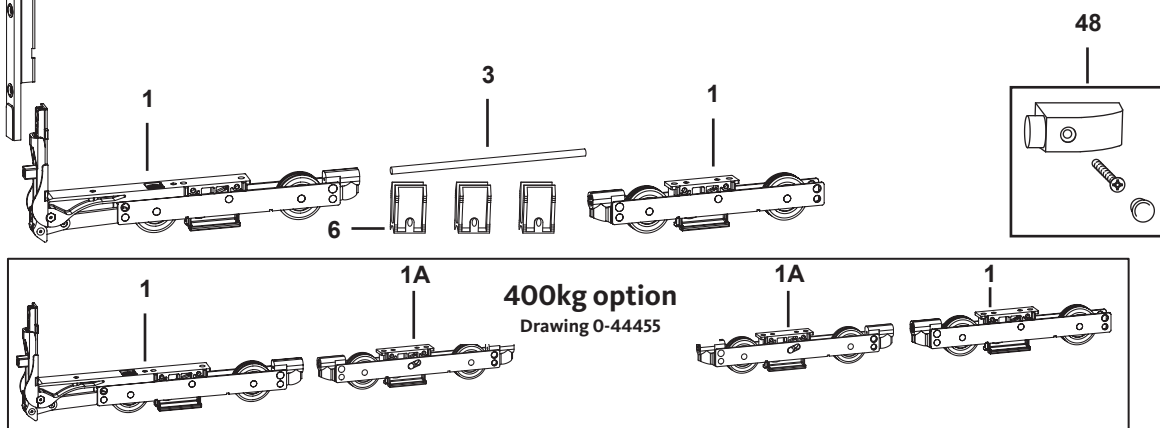
GU-934/937 H Lift&Slide Hardware

GU-934 Hardware, Sash Thickness 56-68mm, Sash Clearance 28mm



| Pos. | Description | PU | Part Number | Scheme - Qty. | | | | Ref. | |
|-----------------------------------|---|----|-----------------|---------------|---|---|----|------|--|
| | | | | A | C | E | L | | |
| 1 | Box of runners GU-934 | 1 | K-16488-00-0-** | 1 | 2 | 2 | 4 | A | |
| 1A | Additional box of runners – 400kg only | 1 | K-17804-01-0-** | 1 | 2 | 2 | 4 | | |
| 5A | Locking bolt 1 | 1 | 9-26072-00-0-1 | 2 | - | 2 | - | B | |
| 5A | Locking bolt 1, optional | 1 | 9-26072-00-0-1 | 1 | - | 1 | - | | |
| 25A | Bag of locking bolt 2/14 | 1 | K-10563-00-0-8 | - | 1 | - | 1 | C | |
| Handle inside GU-934/937 | | | | | | | | | |
| 18 | DIRIGENT handle without PZ | 1 | 6-24606-00-0-* | 1 | 2 | 2 | 4 | | |
| 20 | Flush pull | 1 | 9-29526-00-0-* | 1 | 2 | 1 | 2 | | |
| 45 | Cover plate, outside | 1 | 9-29527-00-0-* | - | - | 1 | 2 | | |
| Handle screws M6 | | | | | | | | | |
| 19 | Sash 56mm thick (M6 x 65mm) | 1 | 9-13274-65-0-1 | 2 | 4 | 4 | 8 | | |
| 19A | Sash 68mm thick (M6 x 75mm) | 1 | 9-13274-75-0-1 | | | | | | |
| Lift-locking gear, 37.5mm backset | | | | | | | | | |
| 4 | Sash height = 865 - 1285, handle height 410 | 10 | 6-30021-11-0-* | 1 | 2 | 2 | 4 | | |
| | Sash height = 1235 - 1865, handle height 410 | 10 | 6-30021-19-0-* | | | | | | |
| | Sash height = 1865 - 2365, handle height 1010 | 10 | 6-30021-24-0-* | | | | | | |
| | Sash height = 2115 - 2765, handle height 1010 | 10 | 6-30021-28-0-* | | | | | | |
| Sash height 2765 - 3265mm | | | | | | | | | |
| 52 | Gear extension 500mm | 10 | 6-32030-00-0-* | 1 | 2 | 1 | 2 | E | |
| 5A | Locking bolt 1 | 1 | 9-26072-00-0-1 | 1 | - | 2 | - | | |
| 25A | Bag of locking bolt 2/14 | 1 | K-10563-00-0-8 | 1 | 2 | 2 | 4 | | |
| 51 | Cover rail 500mm | 10 | 9-28483-05-0-* | 1 | 2 | 1 | 2 | | |
| 51A | Joining plate (use with 9-28483-05) | 1 | 9-29261-00-0-1 | 1 | 2 | 1 | 2 | | |
| Connecting rod Ø 8mm | | | | | | | | | |
| 3 | Sash width = 700 - 1670 | 1 | 9-25476-11-0-** | 1 | 2 | 2 | 4 | | |
| | Sash width = 700 - 2420 | 1 | 9-25476-18-0-** | | | | | | |
| | Sash width = 700 - 3300 | 1 | 9-25476-33-0-** | | | | | | |
| 6 | Support for connecting rod | 1 | 9-28149-00-0-0 | 3 | 6 | 6 | 12 | F | |
| 48 | Bag of stop 90° | 1 | K-12024-00-0-6 | 1 | 2 | 2 | 4 | | |

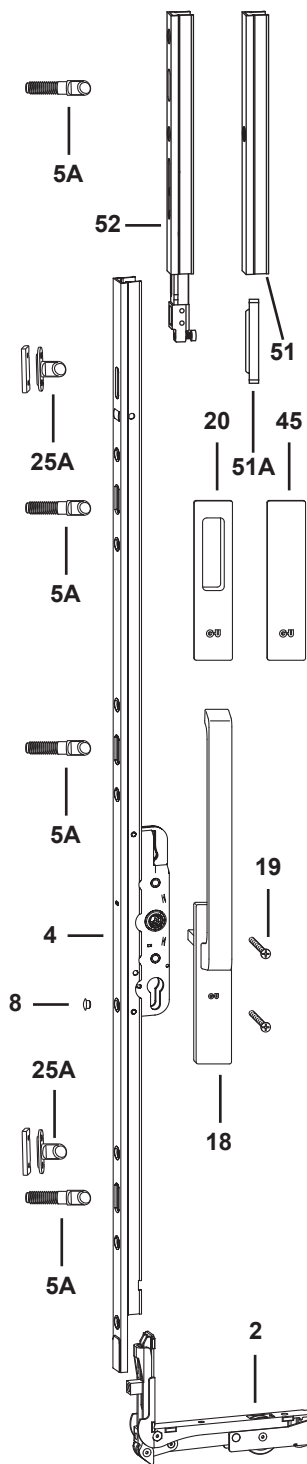
* = Finish : 1 = EV1 (Silver), 5 = UC5 (Dark Bronze), 7 = White (handle & pulls only)
 ** = Standard finish FerGUard (1); Additional anticorrosive finish available FaceGUard (18)



05
1

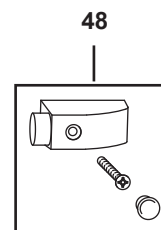
GU-934/937 H Lift&Slide Hardware

GU-937 Hardware, Sash Thickness 56-68mm, Sash Clearance 28mm



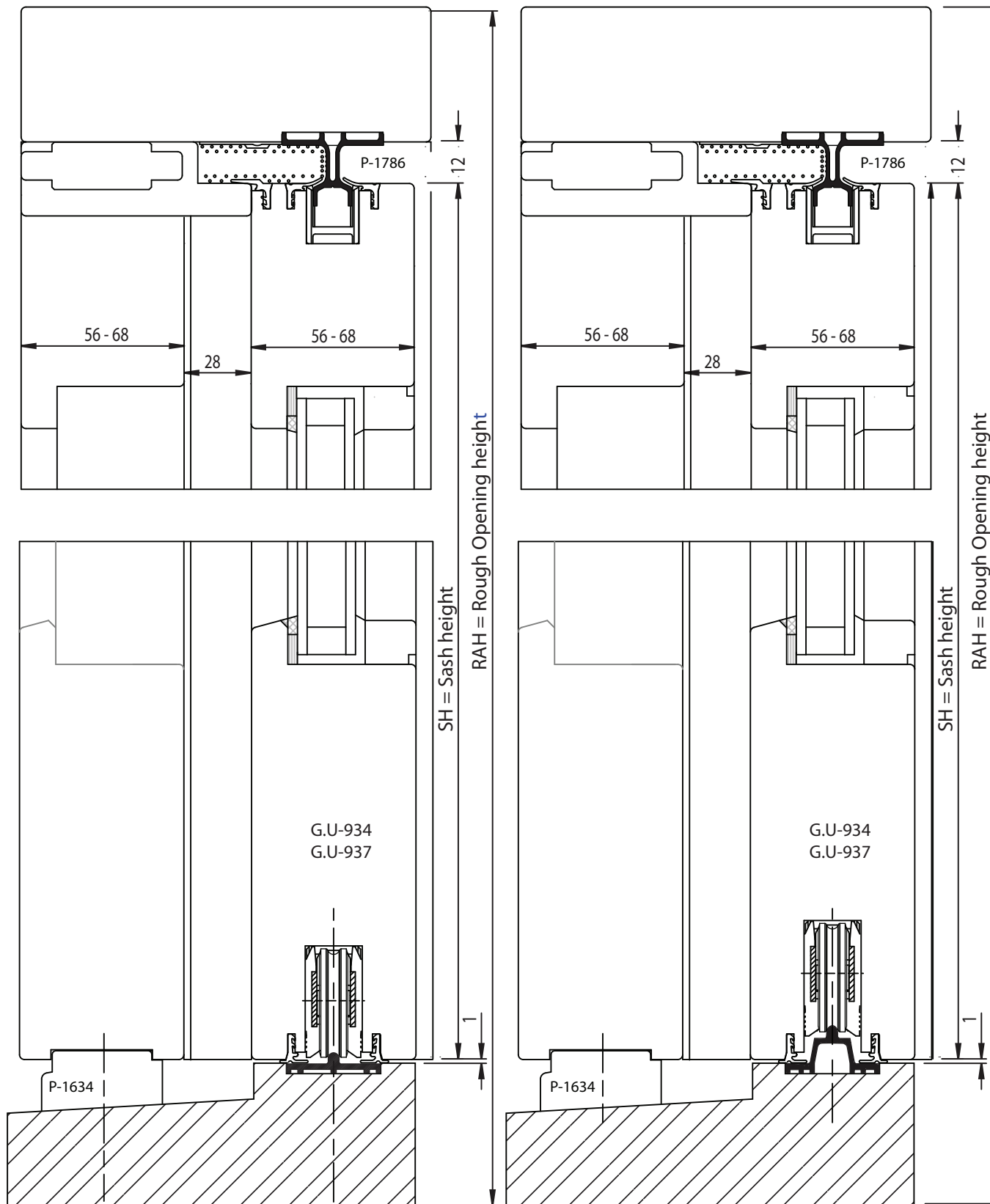
| Pos. | Description | PU | Part Number | Scheme - Qty. | | | | Ref. |
|------|---|----|-----------------|---------------|---|---|----|----------|
| | | | | A | C | E | L | |
| 1 | Box of runners GU-937 | 1 | K-16493-00-0-1 | 1 | 2 | 2 | 4 | A |
| 5A | Locking bolt 1 | 1 | 9-26072-00-0-1 | 2 | - | 2 | - | B |
| 5A | Locking bolt 1, optional | 1 | 9-26072-00-0-1 | 1 | - | 1 | - | |
| 25A | Bag of locking bolt 2/14 | 1 | K-10563-00-0-8 | - | 1 | - | 1 | |
| | Handle inside GU-934/937 | | | | | | | C |
| 18 | DIRIGENT handle without PZ | 1 | 6-24606-00-0-* | 1 | 2 | 2 | 4 | |
| 20 | Flush pull | 1 | 9-29526-00-0-* | 1 | 2 | 1 | 2 | |
| 45 | Cover rosette, outside | 1 | 9-29527-00-0-* | - | - | 1 | 2 | |
| | Handle screws M6 | | | | | | | |
| 19 | Sash 56mm thick (M6 x 65mm) | 1 | 9-13274-65-0-1 | 2 | 4 | 4 | 8 | D |
| 19A | Sash 68mm thick (M6 x 75mm) | 1 | 9-13274-75-0-1 | | | | | |
| | Lift-locking gear, 27.5mm backset | | | 1 | 2 | 2 | 4 | D |
| 4 | Sash height = 865 - 1285, handle height 410 | 10 | 6-30019-11-0-* | | | | | |
| | Sash height = 1235 - 1865, handle height 410 | 10 | 6-30019-19-0-* | | | | | |
| | Sash height = 1865 - 2365, handle height 1010 | 10 | 6-30019-24-0-* | | | | | |
| | Sash height = 2115 - 2765, handle height 1010 | 10 | 6-30019-28-0-* | | | | | |
| | Sash height 2765 - 3265mm | | | | | | | E |
| 52 | Gear extension 500mm | 10 | 6-32030-00-0-* | 1 | 2 | 1 | 2 | |
| 5A | Locking bolt 1 | 1 | 9-26072-00-0-1 | 1 | - | 2 | - | |
| 25A | Bag of locking bolt 2/14 | 1 | K-10563-00-0-8 | 1 | 2 | 2 | 4 | |
| 51 | Cover rail 500mm | 10 | 9-28483-05-0-* | 1 | 2 | 1 | 2 | |
| 51A | Joining plate (use with 9-28483-05) | 1 | 9-29261-00-0-1 | 1 | 2 | 1 | 2 | |
| | Connecting rod Ø 8mm | | | 1 | 2 | 2 | 4 | F |
| 3 | Sash width = 700 - 1670 | 1 | 9-25476-11-0-** | | | | | |
| | Sash width = 700 - 2420 | 1 | 9-25476-18-0-** | | | | | |
| | Sash width = 700 - 3300 | 1 | 9-25476-33-0-** | | | | | |
| 6 | Support for connecting rod | 1 | 9-28149-00-0-0 | 3 | 6 | 6 | 12 | G |
| 48 | Bag of stop 90° | 1 | K-12024-00-0-6 | 1 | 2 | 2 | 4 | |

* = Finish : 1 = EV1 (Silver), 5 = UC5 (Dark Bronze), 7 = White (handle & pulls only)
 ** = Standard finish FerGUARD (1); Additional anticorrosive finish available FaceGUARD (18)



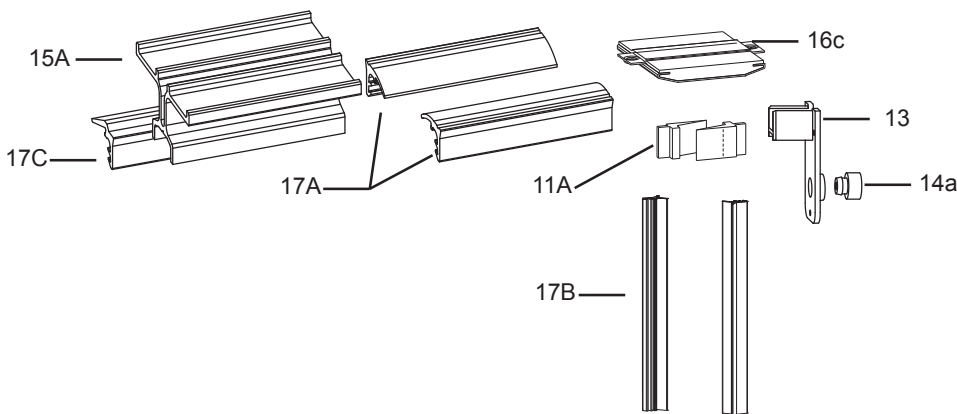
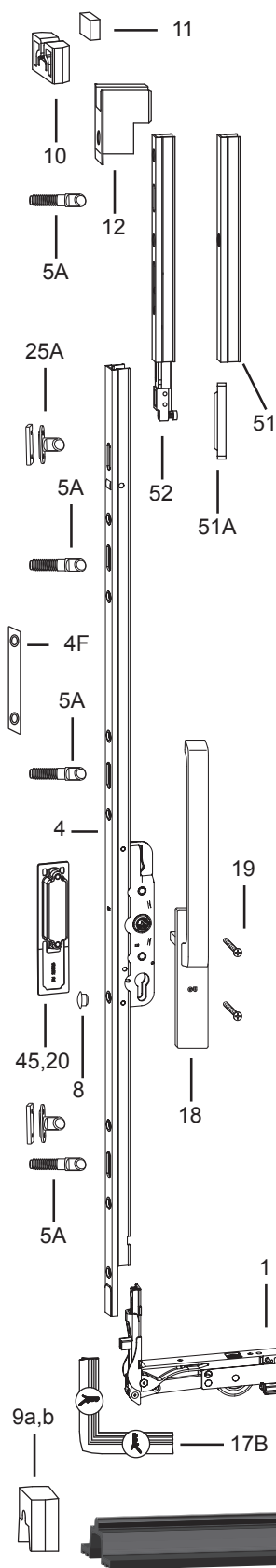
GU-934/937 H Lift&Slide Hardware

P 1786 Top Guide Elevation with Timber Threshold

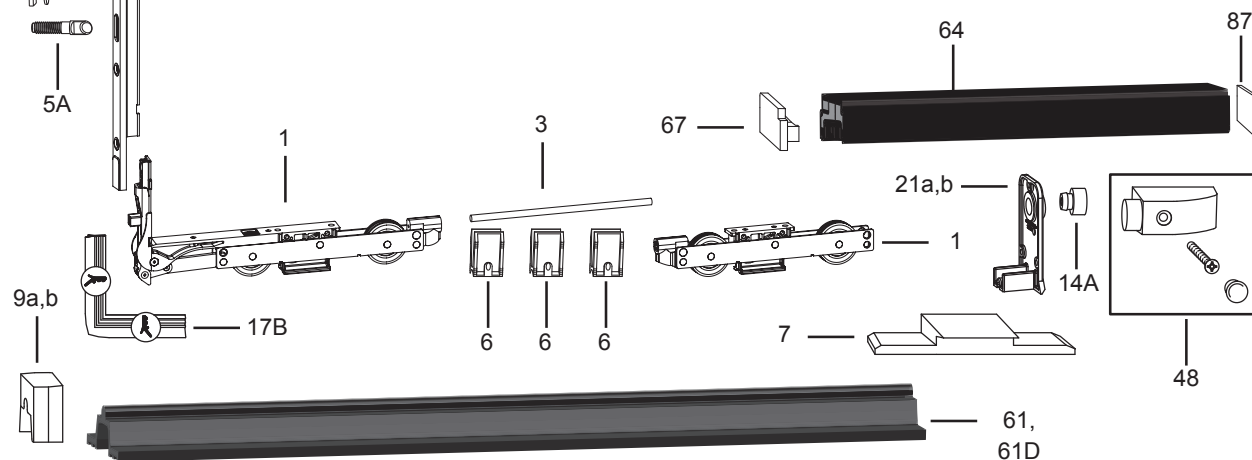


GU-934/937 H Lift&Slide Hardware

P 1786 Top Guide and Bottom Tracks, Timber Threshold, Sash Thickness 56-68mm



| Pos. | Description | Pos. | Description |
|------|--|------|-----------------------------------|
| 1 | Box of runners | | Bag of accessories |
| 5A | Locking bolt 1 | 12 | Guide N° 1, gear side |
| 25A | Bag of locking bolt 2/14 | 13 | Guide N° 2 |
| 18 | DIRIGENT handle without PZ | 21a | Cover plate |
| 20 | Flush pull | 14a | Buffer N° 80 for 9-24380 |
| 45 | Cover rosette, outside | 9a,b | Bottom sealing plate |
| 19 | Handle screws M6 | 8 | Cover PZ |
| 4 | Lift-locking gear | 16c | Sealing bridge |
| 52 | Gear extension 500mm | 10 | Connecting part P 1786 top |
| 51 | Cover rail 500mm | 11 | Seal rubber |
| 51A | Joining plate (use with 9-28483-05) | 7 | Sealing plate for running rail |
| 3 | Connecting rod Ø 8mm | 61D | Option: track P 379 (6.7M length) |
| 6 | Support for connecting rod | 17A | Gasket P 742 (100M roll) |
| 48 | Bag of stop 90° | 17B | Gasket P 743 (100M roll) |
| 15A | Top guide P 1786 (6.7M length) | 17C | Gasket P 1156 (100M roll) |
| 61 | Bottom track P 432 (6.7M length) | 4F | Cover, lift-slide |
| 64 | Rail P 1634, fixed panel (3.3M length) | 11A | Gasket plate |
| 67 | End cap P 1634 | | |
| 87 | Sealing plate | | |



GU-934/937 H Lift&Slide Hardware

P 1786 Top Guide, Timber Threshold, Schemes A & C, Sash Thickness 56-68mm

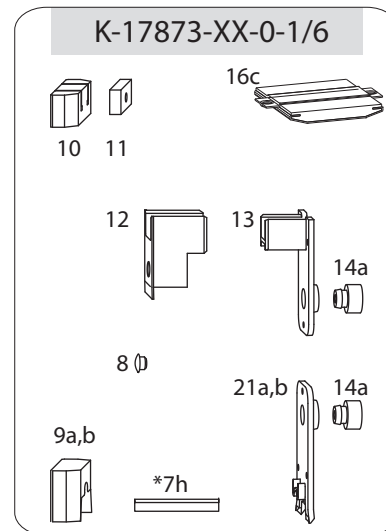
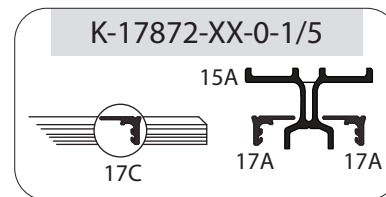


| 15mm bottom track | | | | | | |
|-------------------|--|----|------------------|------|---|------|
| Pos. | Description | PU | Part Number | Qty. | | Ref. |
| | | | | A | C | |
| 15 | Bag of gliding rail P 1786 (5M or 6.7M length) | 1 | K-17872-XX-0-1/5 | 1 | 1 | H |
| 61 | Track bottom P 432 (6.7M length) | 1 | 9-09547-67-0-1/5 | 1 | 1 | |
| 64 | Attachment track P 1634, fixed panel (3.3M length) | 1 | 9-39309-33-0-1/5 | 1 | 2 | |
| 67 | End cap P 1634 | 1 | 9-39328-00-L/R-* | 1 | 2 | |
| 87 | Gasket plate P 1634 for attachment track | 1 | 9-44559-00-L/R-* | 1 | 2 | |
| 65 | Intermediate profil P 1641 | 1 | 9-39317-33-0-1/6 | 1 | 2 | |
| | Bag of accessories P 1786 | 1 | K-17873-15-0-* | 1 | 2 | I |
| 7 | Sealing plate for running rail | 1 | 9-43654-00-0-6 | 1 | 2 | J |
| 17B | Gasket P 743 (20M roll) | 20 | W751012-20-0-6X | 1 | 1 | K |
| 11A | Gasket plate | 1 | K-18432-28-0-1 | 1 | 2 | |

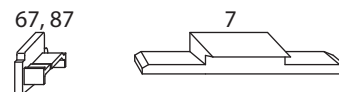
| 5mm bottom track | | | | | | |
|------------------|--|----|------------------|------|---|------|
| Pos. | Description | PU | Part Number | Qty. | | Ref. |
| | | | | A | C | |
| 15 | Bag of gliding rail P 1786 (5M or 6.7M length) | 1 | K-17872-XX-0-1/5 | 1 | 1 | H |
| 61D | Track bottom P 379 (6.7M length) | 1 | 9-08228-67-0-1/5 | 1 | 1 | |
| 64 | Attachment track P 1634, fixed panel (3.3M length) | 1 | 9-39309-33-0-1/5 | 1 | 2 | |
| 67 | End cap P 1634 | 1 | 9-39328-00-L/R-* | 1 | 2 | |
| 87 | Gasket plate P 1634 for attachment track | 1 | 9-44559-00-L/R-* | 1 | 2 | |
| 65 | Intermediate profil P 1641 | 1 | 9-39317-33-0-1/6 | 1 | 2 | |
| | Bag of accessories P 1786 | 1 | K-17873-05-0-* | 1 | 2 | I |
| 7 | Sealing plate for running rail | 1 | 9-43654-00-0-6 | 1 | 2 | J |
| 17B | Gasket P 743 (20M roll) | 20 | W751012-20-0-6X | 1 | 1 | K |
| 11A | Gasket plate | 1 | K-18432-28-0-1 | 1 | 2 | |

XX = Length : 50 = 5M or 67 = 6.7M

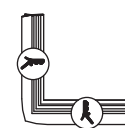
* = Finish : 1 = Grey, 6 = Black



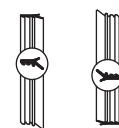
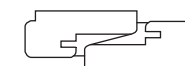
* 7h only in K-17873-05



05
1



Wood Interlock by fabricator



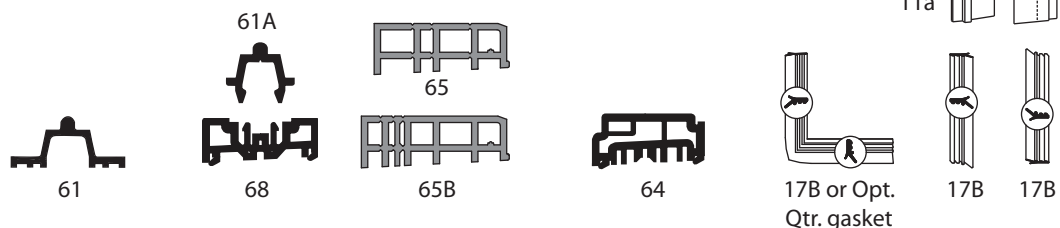
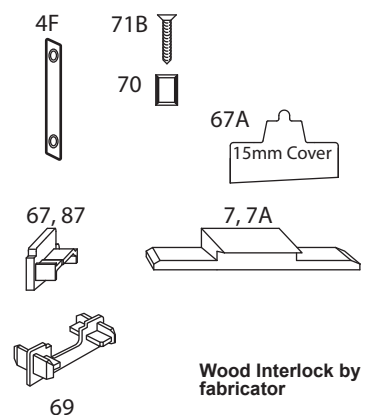
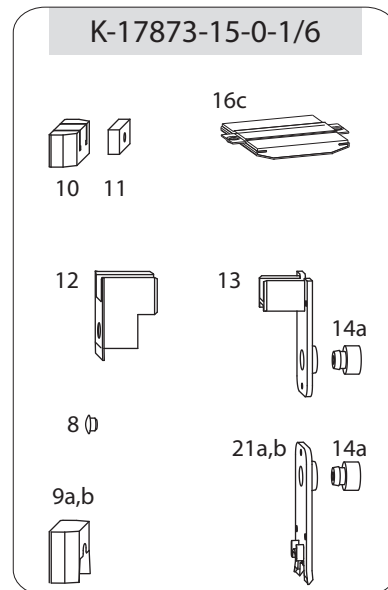
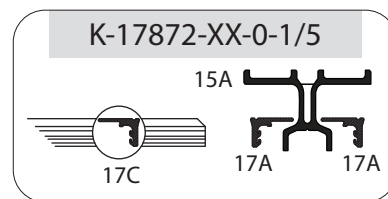
GU-934/937 H Lift&Slide Hardware

P 1786 Top Guide, Schemes E & L, 15mm Bottom Track, Sash Thickness 56-68mm



| 15mm bottom track | | | | | | |
|--|--|----|------------------|------|---|----------|
| Pos. | Description | PU | Part Number | Qty. | | Ref. |
| | | | | E | L | |
| 15 | Bag of gliding rail P 1786 (5M or 6.7M length) | 1 | K-17872-XX-0-1/5 | 1 | 1 | H |
| 61 | Track bottom P 432 (6.7M length) | 1 | 9-09547-67-0-1/5 | 1 | 1 | |
| 64 | Attachment track P 1634, fixed panel (3.3M length) | 1 | 9-39309-33-0-1/5 | 1 | 2 | |
| 67 | End cap P 1634 | 1 | 9-39328-00-L/R-* | 1 | 2 | |
| 87 | Gasket plate P 1634 for attachment track | 1 | 9-44559-00-L/R-* | 1 | 2 | |
| 65 | Intermediate profil P 1641 | 1 | 9-39317-33-0-1/6 | 1 | 2 | |
| | Bag of accessories P 1786 | 1 | K-17873-15-0-* | 1 | 2 | I |
| 7 | Sealing plate for running rail | 1 | 9-43654-00-0-6 | 1 | 2 | J |
| 17B | Gasket P 743 (20M roll) | 20 | W751012-20-0-6X | 1 | 1 | K |
| 11A | Gasket plate | 1 | K-18432-28-0-1 | 2 | 4 | |
| 7A | Sealing plate for running rail | 1 | 9-43970-00-0-6 | 1 | 2 | L |
| Secondary track (schemes E & L), only with P 432 & P 1635 bottom track | | | | | | |
| 68 | Track bottom 1 P 1633 (3.3M length) | 1 | 9-40300-33-0-1/5 | 1 | 1 | |
| 67A | End cap P 1633 with P 1635 | 1 | 9-39326-00-L/R-* | 1 | 2 | |
| 71B | Screw CSM for P 1633 (25 per track) | 25 | 9-13089-45-R-1 | - | - | |
| 70 | Gasket sleeve | 25 | 9-39327-00-0-0 | - | - | |
| 69 | Joining piece (P 1633 > 3.3M) | 1 | 9-40293-00-0-* | 1 | 2 | |
| 61A | Running rail P 1635 15mm (6.7M length) | 1 | 9-39311-67-0-1/5 | 1 | 2 | |
| 4F | Cover for lift-locking gear | 1 | 9-25301-00-0-* | 2 | 4 | |
| 65B | Intermediate profil P 1682 (3.3M length) | 1 | 9-40413-33-0-1/6 | 1 | 2 | |

XX = Length : 50 = 5M or 67 = 6.7M
 * = Finish : 1 = Grey, 6 = Black



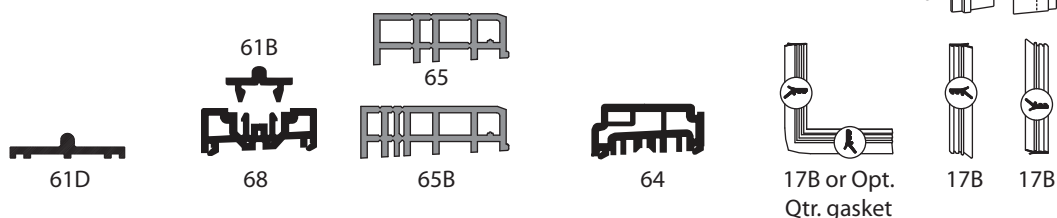
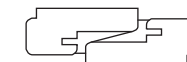
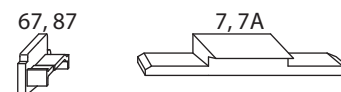
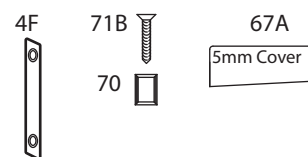
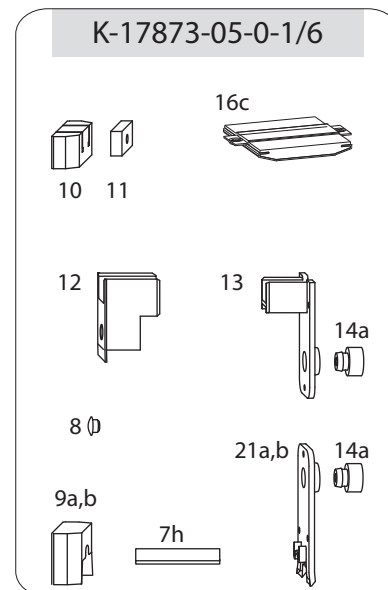
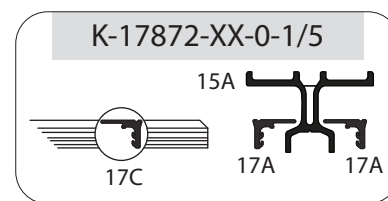
GU-934/937 H Lift&Slide Hardware

P 1786 Top Guide, Schemes E & L, 5mm Bottom Track, Sash Thickness 56-68mm



| 5mm bottom track | | | | | | | |
|--|--|----|------------------|------|---|----------|--|
| Pos. | Description | PU | Part Number | Qty. | | Ref. | |
| | | | | E | L | | |
| 15A | Bag of gliding rail P 1786 (5M or 6.7M length) | 1 | K-17872-XX-0-1/5 | 1 | 1 | H | |
| 61D | Track bottom P 379 (6.7M length) | 1 | 9-08228-67-0-1/5 | 1 | 1 | | |
| 64 | Attachment track P 1634, fixed panel (3.3M length) | 1 | 9-39309-33-0-1/5 | 1 | 2 | | |
| 67 | End cap P 1634 | 1 | 9-39328-00-L/R-* | 1 | 2 | | |
| 87 | Gasket plate P 1634 for attachment track | 1 | 9-44559-00-L/R-* | 1 | 2 | | |
| 65 | Intermediate profil P 1641 | 1 | 9-39317-33-0-1/6 | 1 | 2 | | |
| | Bag of accessories P 1786 | 1 | K-17873-05-0-* | 1 | 2 | I | |
| 7 | Sealing plate for running rail | 1 | 9-43654-00-0-6 | 1 | 2 | J | |
| 17B | Gasket P 743 (20M roll) | 20 | W751012-20-0-6X | 1 | 1 | K | |
| 11A | Gasket plate | 1 | K-18432-28-0-1 | 2 | 4 | | |
| 7A | Sealing plate for running rail | 1 | 9-43970-00-0-6 | 1 | 2 | L | |
| Secondary track (schemes E & L), only with P 379 & P 1636 bottom track | | | | | | | |
| 68 | Track bottom 1 P 1633 (3.3M length) | 1 | 9-40300-33-0-1/5 | 1 | 1 | | |
| 67A | End cap P 1633 with P 1636 | 1 | 9-40295-00-L/R-* | 1 | 2 | | |
| 71B | Screw CSM for P 1633 (25 per track) | 25 | 9-13089-45-R-1 | - | - | | |
| 70 | Gasket sleeve | 25 | 9-39327-00-0-0 | - | - | | |
| 69 | Joining piece (P 1633 > 3.3M) | 1 | 9-40293-00-0-* | 1 | 2 | | |
| 61A | Running rail P 1636 15mm (6.7M length) | 1 | 9-39312-67-0-1/5 | 1 | 2 | | |
| 4F | Cover for lift-locking gear | 1 | 9-25301-00-0-* | 2 | 4 | | |
| 65B | Intermediate profil P 1682 (3.3M length) | 1 | 9-40413-33-0-1/6 | 1 | 2 | | |

XX = Length : 50 = 5M or 67 = 6.7M
 * = Finish : 1 = Grey, 6 = Black



GU-934/937 H Lift&Slide Hardware

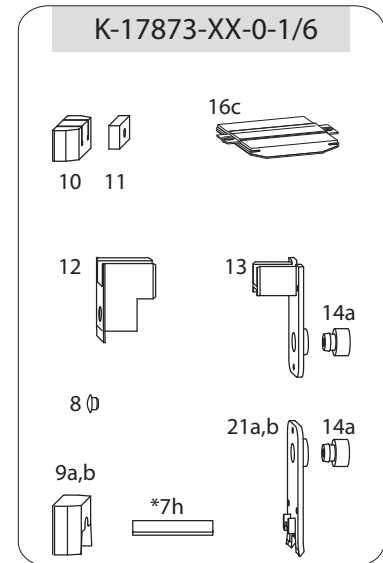
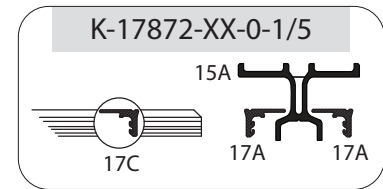
P 1786 Kit Components



| Pos. | Description | PU | Part Number | Ref. |
|--------------------------|--------------------------------------|----|-------------------------|----------|
| | Bag of gliding rail P 1786 | 1 | K-17872-XX-0-1/5 | H |
| 15A | Guide top P 1786 (5M or 6.7M length) | | 9-45094-XX-0-1/5 | |
| 17A | Gasket 742 | | W-751011 | |
| 17C | Gasket P 1156 | | W751037-00-0-6 | |
| 15mm bottom track | | | | |
| | Bag of accessories P 1786 | 1 | K-17873-15-0-* | I |
| 12 | Guide N° 1, gear side | | 9-24378-00-0.* | |
| 13 | Guide N° 2 | | 9-24379-00-0.* | |
| 21a | Cover plate | | 9-24380-00-0.* | |
| 14a | Buffer N° 80 for 9-24380 | | 9-08488-00-0.* | |
| 9a | Bottom sealing plate | | 9-29700-00-0-0 | |
| 8 | Cover PZ | | 9-26687-00-0.* | |
| 16c | Sealing bridge | | 6-22154-29/30 | |
| 10 | Connecting part P 1786 top | | 9-45471-00-0.* | |
| 11 | Sealing part | | 9-27481-00-0-6 | |
| 5mm bottom track | | | | |
| | Bag of accessories P 1786 | 1 | K-17873-05-0-* | I |
| 12 | Guide N° 1, gear side | | 9-24378-00-0.* | |
| 13 | Guide N° 2 | | 9-24379-00-0.* | |
| 21b | Cover plate | | 9-24390-00-0.* | |
| 14a | Buffer N° 80 for 9-24380 | | 9-08488-00-0.* | |
| 9b | Bottom sealing plate | | 9-44331-02-0-* | |
| 8 | Cover PZ | | 9-26687-00-0.* | |
| 16c | Sealing bridge | | 6-22154-29/30 | |
| 10 | Connecting part P 1786 top | | 9-45471-00-0.* | |
| 11 | Sealing part | | 9-27481-00-0-6 | |

XX = Length : 50 = 5M or 67 = 6.7M

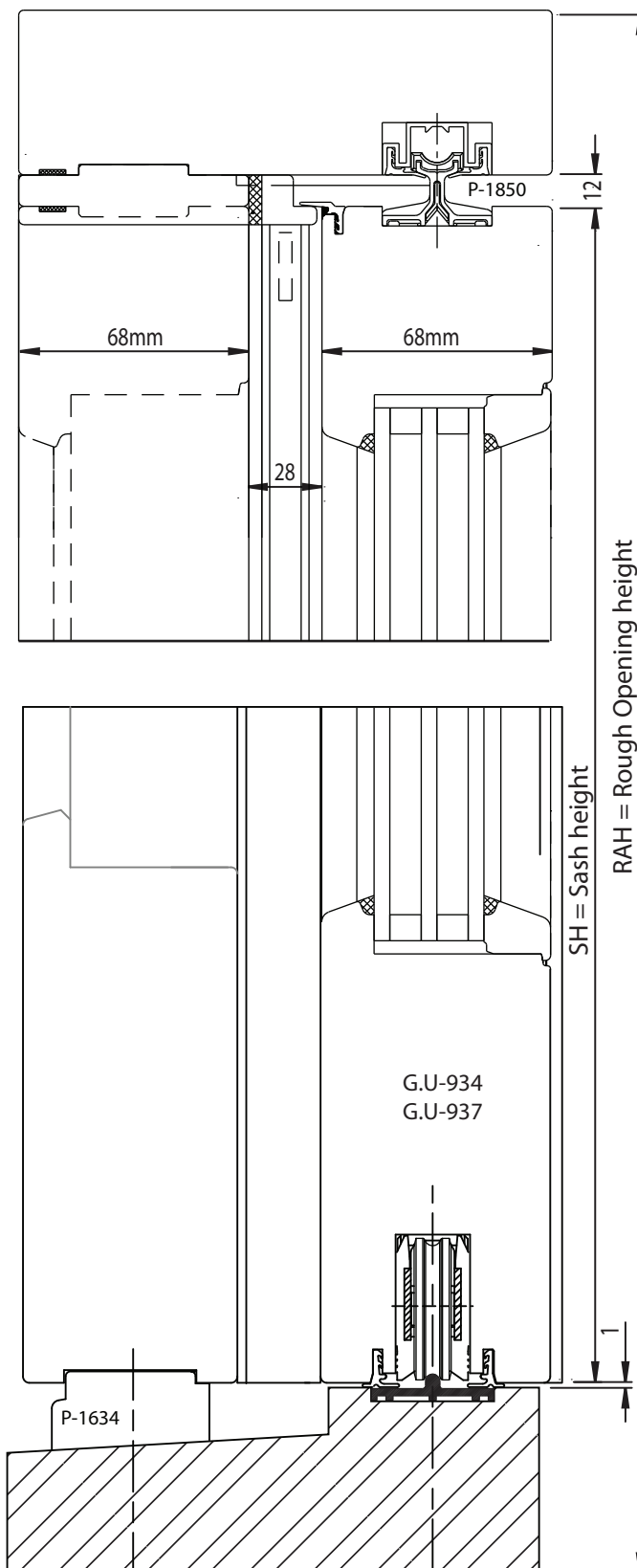
* = Finish : 1 = Grey, 6 = Black



* 7h only in K-17873-05

GU-934/937 H Lift&Slide Hardware

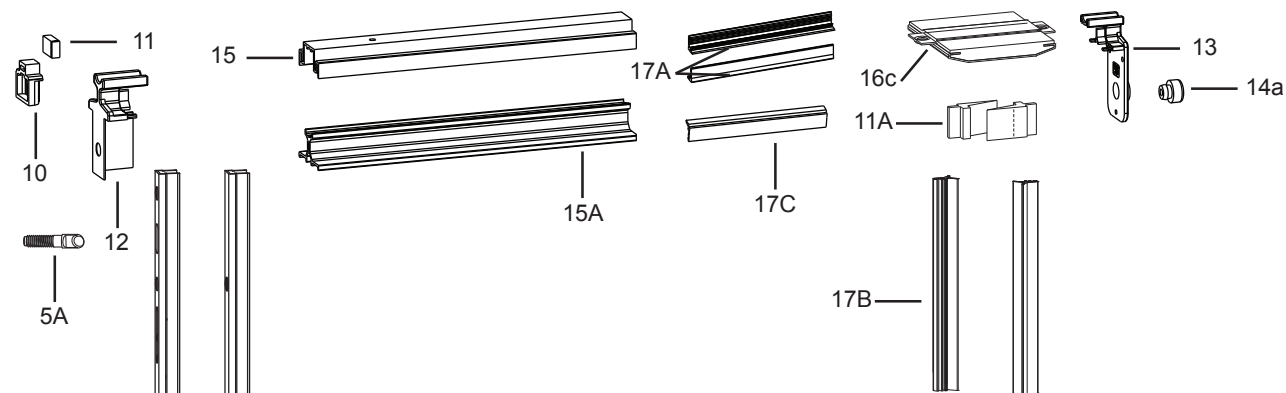
P 1850 Top Guide Elevation with Timber Threshold



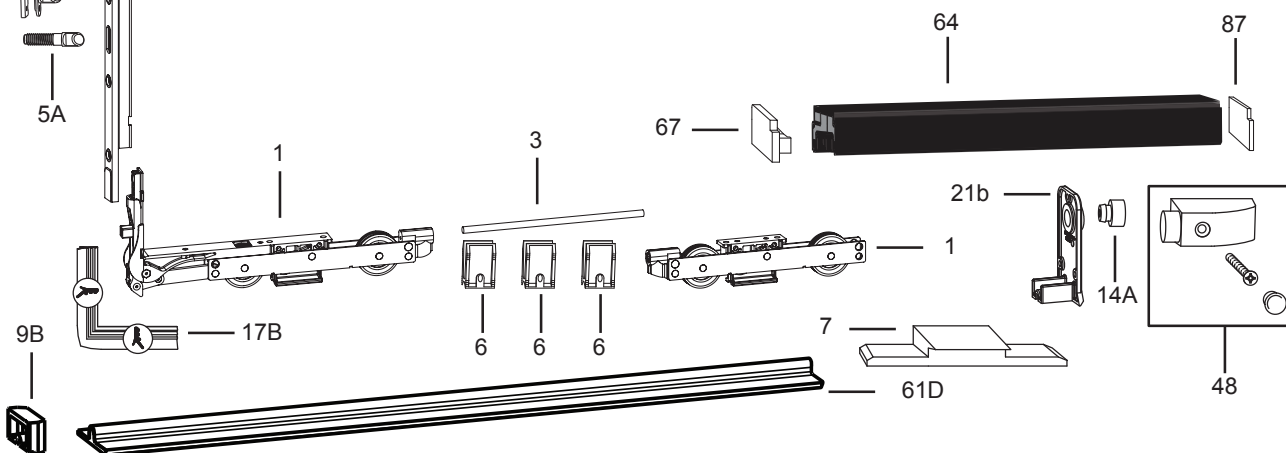
05
1

GU-934/937 H Lift&Slide Hardware

P 1850 Top Guide and Bottom Tracks, Sash Thickness 68mm



| Pos. | Description | Pos. | Description |
|------|--|--------------------|-----------------------------------|
| 1 | Box of runners | 87 | Sealing plate |
| 5A | Locking bolt 1 | Bag of accessories | |
| 25A | Bag of locking bolt 2/14 | 12 | Guide N° 1, gear side |
| 18 | DIRIGENT handle without PZ | 13 | Guide N° 2 |
| 20 | Flush pull | 21a | Cover plate |
| 45 | Cover rosette, outside | 14a | Buffer N° 80 for 9-24380 |
| 19 | Handle screws M6 | 9a,b | Bottom sealing plate |
| 4 | Lift-locking gear | 8 | Cover PZ |
| 52 | Gear extension 500mm | 16c | Sealing bridge |
| 51 | Cover rail 500mm | 10 | Connecting part P 1786 top |
| 51A | Joining plate (use with 9-28483-05) | 11 | Seal rubber |
| 3 | Connecting rod Ø 8mm | 7 | Sealing plate for running rail |
| 6 | Support for connecting rod | 61D | Option: track P 379 (6.7M length) |
| 48 | Bag of stop 90° | 17A | Gasket P 742 (100M roll) |
| 15 | Top guide P 1850 (6.7M length) | 17B | Gasket P 743 (100M roll) |
| 15A | Guide rail P 1849 (6.7M length) | 17C | Gasket P 1156 (100M roll) |
| 61D | Track bottom P 379 (6.7M length) | 4F | Cover, lift-slide |
| 64 | Rail P 1634, fixed panel (3.3M length) | 11A | Gasket plate |
| 67 | End cap P 1634 | | |



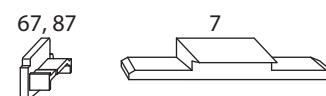
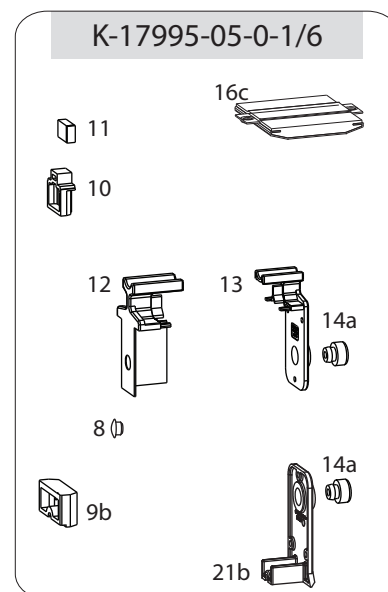
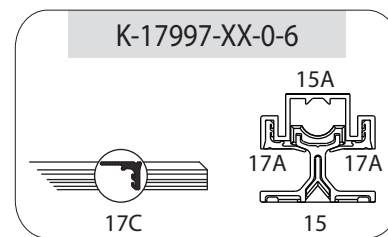
GU-934/937 H Lift&Slide Hardware

P 1850 Top Guide, Schemes A & C, Sash Thickness 68mm

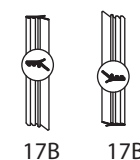
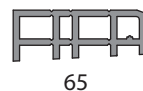
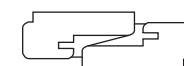


| 5mm bottom track | | | | | | |
|------------------|--|----|------------------|------|---|----------|
| Pos. | Description | PU | Part Number | Qty. | | Ref. |
| | | | | A | C | |
| 15 | Bag of gliding rail P 1850 (5M or 6.7M length) | 1 | K-17997-XX-0-6 | 1 | 1 | H |
| 61D | Track bottom P 379 (6.7M length) | 1 | 9-08228-67-0-1/5 | 1 | 1 | |
| 64 | Attachment track P 1634, fixed panel (3.3M length) | 1 | 9-39309-33-0-1/5 | 1 | 2 | |
| 67 | End cap P 1634 | 1 | 9-39328-00-L/R-* | 1 | 2 | |
| 87 | Gasket plate P 1634 for attachment track | 1 | 9-44559-00-L/R-* | 1 | 2 | |
| 65 | Intermediate profil P 1641 | 1 | 9-39317-33-0-1/6 | 1 | 2 | |
| | Bag of accessories P 1850 | 1 | K-17995-05-0-* | 1 | 2 | I |
| 7 | Sealing plate for running rail | 1 | 9-43654-00-0-6 | 1 | 2 | J |
| 17B | Gasket P 743 (20M roll) | 20 | W751012-20-0-6X | 1 | 1 | K |
| 11A | Gasket plate | 1 | K-18432-28-0-1 | 1 | 2 | |

XX = Length : 50 = 5M or 67 = 6.7M
 * = Finish : 1 = Grey, 6 = Black



Wood Interlock by fabricator



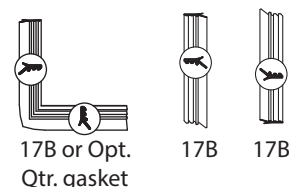
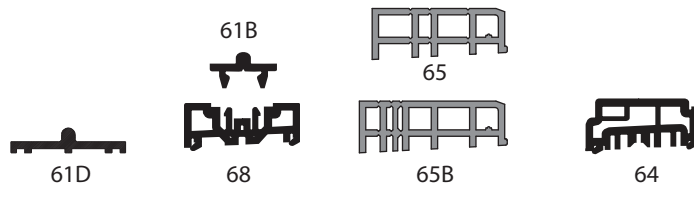
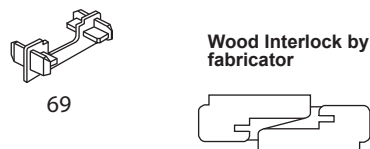
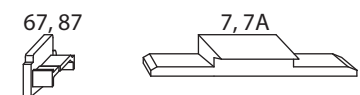
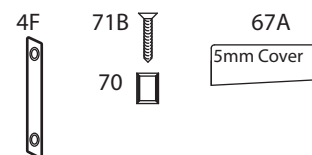
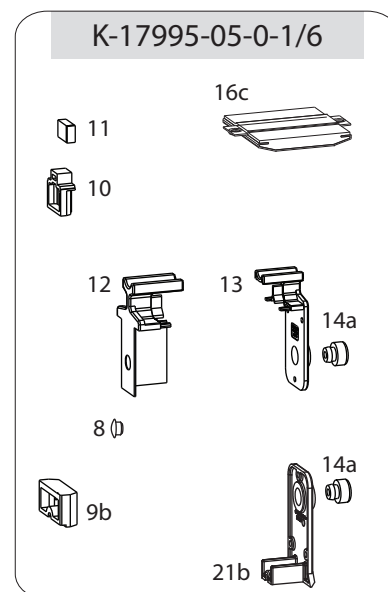
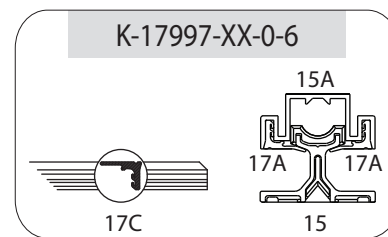
GU-934/937 H Lift&Slide Hardware

P 1850 Top Guide, Schemes E & L, Sash Thickness 68mm



| 5mm bottom track | | | | | | | |
|------------------|--|----|------------------|------|---|----------|----------|
| Pos. | Description | PU | Part Number | Qty. | | Ref. | |
| | | | | E | L | | |
| 15A | Bag of gliding rail P 1786 (5M or 6.7M length) | 1 | K-17997-XX-0-6 | 1 | 1 | H | |
| 61D | Track bottom P 379 (6.7M length) | 1 | 9-08228-67-0-1/5 | 1 | 1 | | |
| 64 | Attachment track P 1634, fixed panel (3.3M length) | 1 | 9-39309-33-0-1/5 | 1 | 2 | | |
| 67 | End cap P 1634 | 1 | 9-39328-00-L/R-* | 1 | 2 | | |
| 87 | Gasket plate P 1634 for attachment track | 1 | 9-44559-00-L/R-* | 1 | 2 | | |
| 65 | Intermediate profil P 1641 | 1 | 9-39317-33-0-1/6 | 1 | 2 | | |
| | Bag of accessories P 1850 | 1 | K-17995-05-0-* | 1 | 2 | I | |
| 7 | Sealing plate for running rail | 1 | 9-43654-00-0-6 | 1 | 2 | J | |
| 17B | Gasket P 743 (20M roll) | 20 | W751012-20-0-6X | 1 | 1 | K | |
| 11A | Gasket plate | 1 | K-18432-28-0-1 | 2 | 4 | | |
| 7A | Sealing plate for running rail | 1 | 9-43970-00-0-6 | 1 | 2 | | |
| | Secondary track (schemes E & L), only with P 379 & P 1636 bottom track | | | | | | L |
| 68 | Track bottom 1 P 1633 (3.3M length) | 1 | 9-40300-33-0-1/5 | 1 | 1 | | |
| 67A | End cap P 1633 with P 1636 | 1 | 9-40295-00-L/R-* | 1 | 2 | | |
| 71B | Screw CSM for P 1633 (25 per track) | 25 | 9-13089-45-R-1 | - | - | | |
| 70 | Gasket sleeve | 25 | 9-39327-00-0-0 | - | - | | |
| 69 | Joining piece (P 1633 > 3.3M) | 1 | 9-40293-00-0-* | 1 | 2 | | |
| 61A | Running rail P 1636 15mm (6.7M length) | 1 | 9-39312-67-0-1/5 | 1 | 2 | | |
| 4F | Cover for lift-locking gear | 1 | 9-25301-00-0-* | 2 | 4 | | |
| 65B | Intermediate profil P 1682 (3.3M length) | 1 | 9-40413-33-0-1/6 | 1 | 2 | | |

XX = Length : 50 = 5M or 67 = 6.7M
 * = Finish : 1 = Grey, 6 = Black



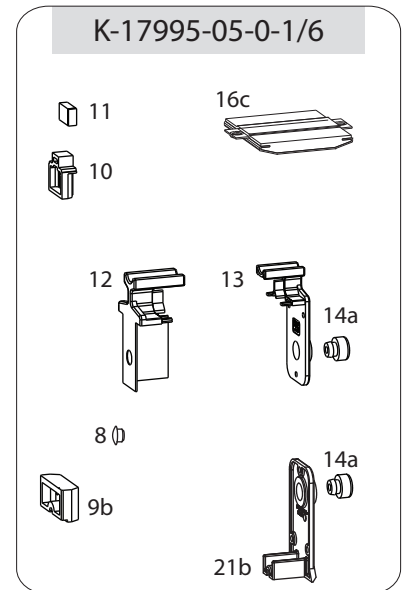
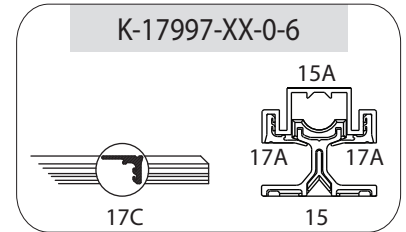
GU-934/937 H Lift&Slide Hardware

P 1850 Kit Components



| Pos. | Description | PU | Part Number | Ref. |
|-------------------------|---------------------------------------|----|-----------------------|----------|
| | Bag of gliding rail P 1850 | 1 | K-17997-XX-0-6 | H |
| 15 | Top guide P 1850 (5M ou 6.7M length) | | 9-45931-XX-0-1 | |
| 15A | Guide rail P 1849 (5M ou 6.7M length) | | 9-45930-XX-0-1 | |
| 17A | Gasket P 742 | | W-751011 | |
| 17C | Gasket P 1156 | | W751037-00-0-6 | |
| 5mm bottom track | | | | |
| | Bag of accessories P 1850 | 1 | K-17995-05-0-* | I |
| 12 | Guide N° 1, gear side | | 9-45932-00-0-* | |
| 13 | Guide N° 2 | | 9-45941-00-0-* | |
| 21b | Cover plate | | 9-24390-00-0-* | |
| 14a | Buffer N° 80 for 9-24380 | | 9-08488-00-0-* | |
| 9b | Bottom sealing plate | | 9-44331-02-0-* | |
| 8 | Cover PZ | | 9-26687-00-0-* | |
| 16c | Sealing bridge | | 6-22154-29/30 | |
| 10 | Connecting part P 1850 top | | 9-45625-00-0-* | |
| 11 | Sealing part | | 9-27481-00-0-6 | |

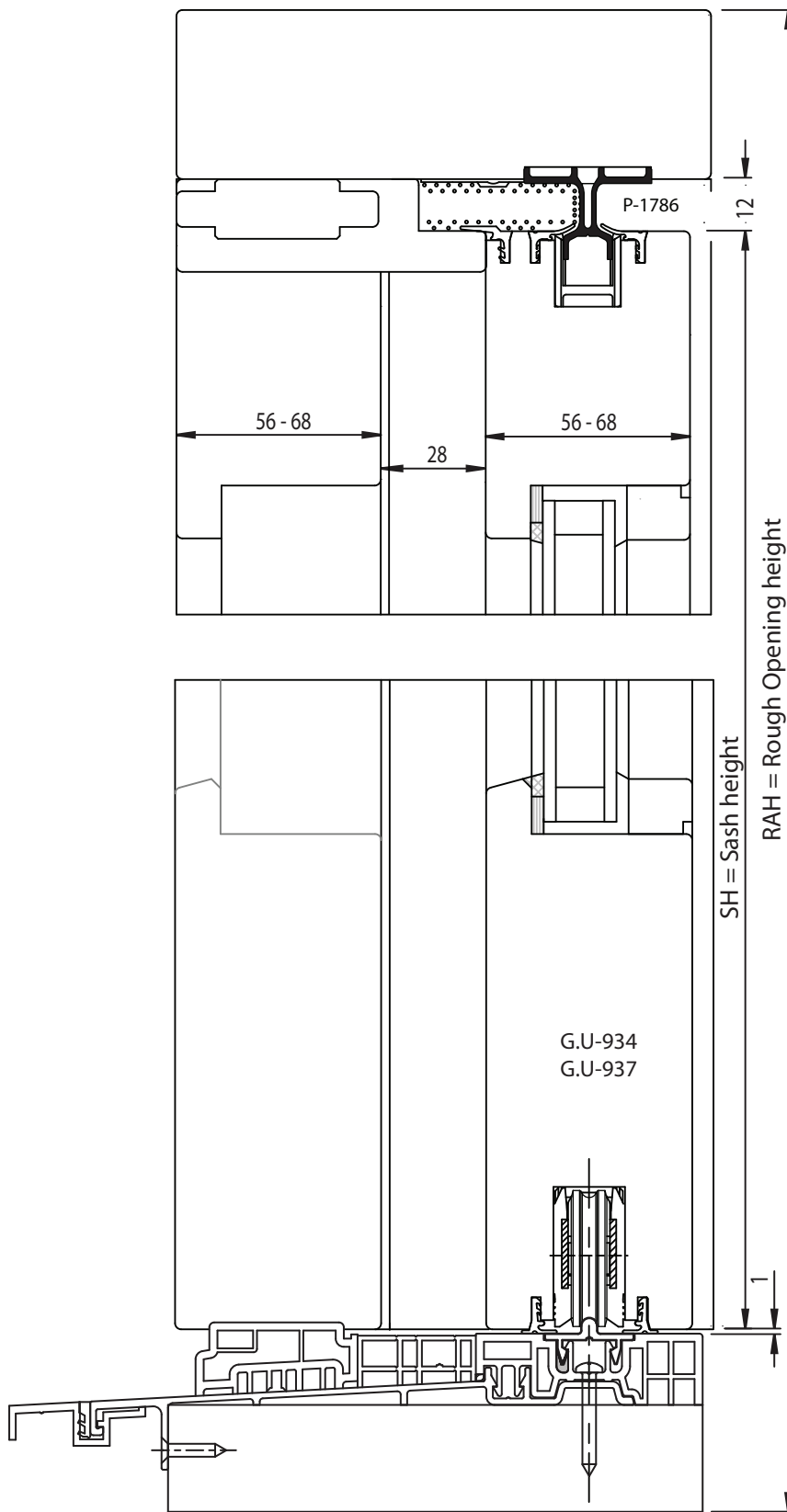
XX = Length : 50 = 5M or 67 = 6.7M
 * = Finish : 1 = Grey, 6 = Black



05
1

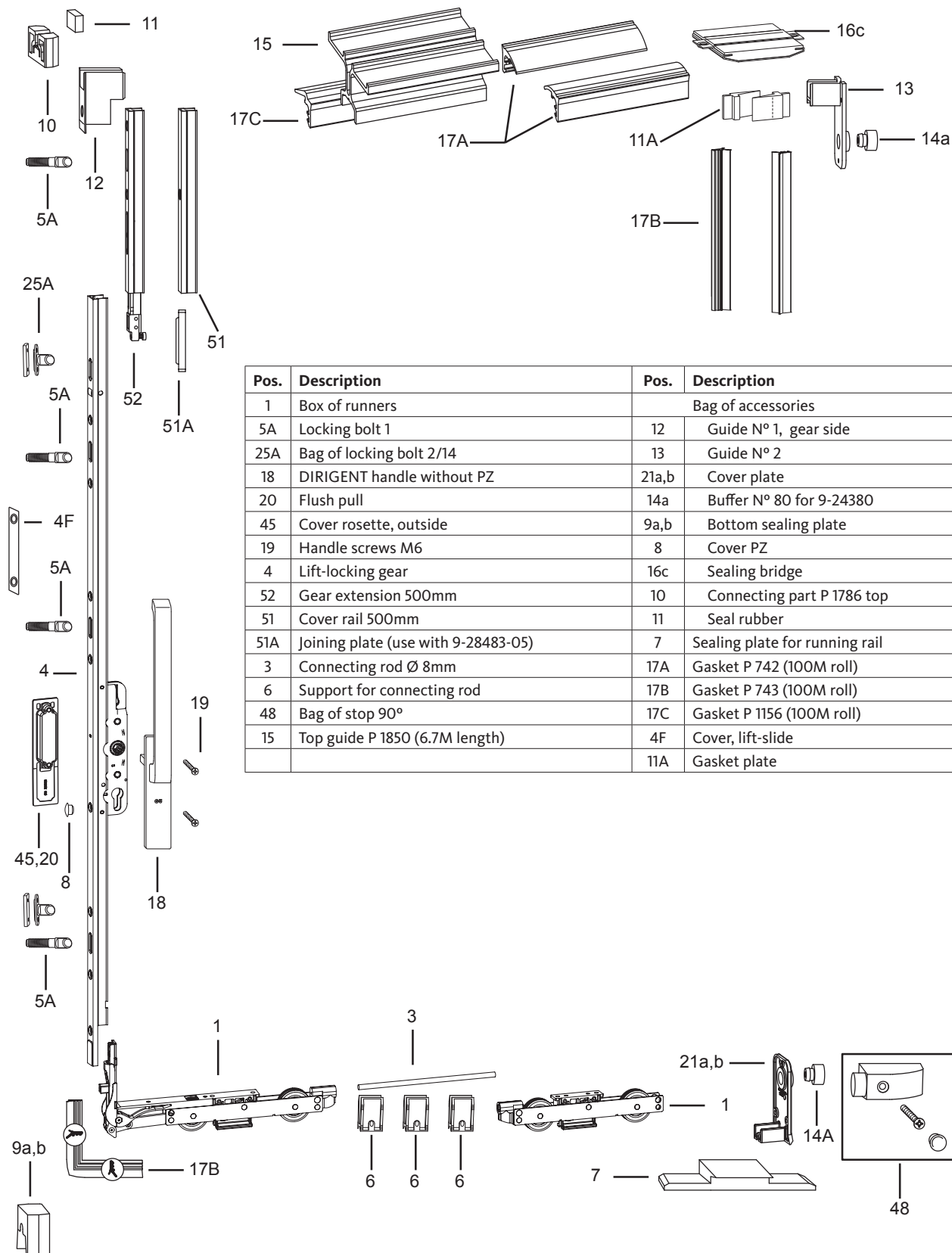
GU-934/937 H Lift&Slide Hardware

P 1786 Top Guide Elevation with Timberstep 164



GU-934/937 H Lift&Slide Hardware

P 1786 Top Guide, Timberstep 164, Sash Thickness 56-68mm

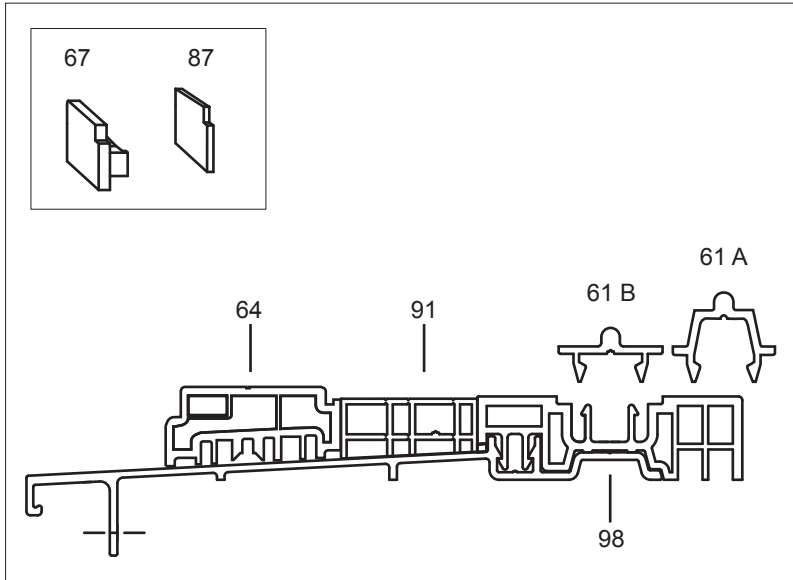


| Pos. | Description | Pos. | Description |
|------|-------------------------------------|-------|--------------------------------|
| 1 | Box of runners | | Bag of accessories |
| 5A | Locking bolt 1 | 12 | Guide N° 1, gear side |
| 25A | Bag of locking bolt 2/14 | 13 | Guide N° 2 |
| 18 | DIRIGENT handle without PZ | 21a,b | Cover plate |
| 20 | Flush pull | 14a | Buffer N° 80 for 9-24380 |
| 45 | Cover rosette, outside | 9a,b | Bottom sealing plate |
| 19 | Handle screws M6 | 8 | Cover PZ |
| 4 | Lift-locking gear | 16c | Sealing bridge |
| 52 | Gear extension 500mm | 10 | Connecting part P 1786 top |
| 51 | Cover rail 500mm | 11 | Seal rubber |
| 51A | Joining plate (use with 9-28483-05) | 7 | Sealing plate for running rail |
| 3 | Connecting rod Ø 8mm | 17A | Gasket P 742 (100M roll) |
| 6 | Support for connecting rod | 17B | Gasket P 743 (100M roll) |
| 48 | Bag of stop 90° | 17C | Gasket P 1156 (100M roll) |
| 15 | Top guide P 1850 (6.7M length) | 4F | Cover, lift-slide |
| | | 11A | Gasket plate |

05
1

GU-934/937 H Lift&Slide Hardware

Timberstep 164, Sash Thickness 56-68mm



| Pos. | Description |
|------|--|
| 61A | Running rail P 1635 15mm (6.7M length) |
| 61B | Running rail P 1635 5mm (6.7M length) |
| 64 | Rail P 1634, fixed panel (3.3M length) |
| 67 | End cap P 1634 |
| 87 | Sealing plate |
| 91 | Intermediate profile, 36.5mm width (3.3M length) |
| 98 | Timberstep 164 (6.7M length) |

GU-934/937 H Lift&Slide Hardware

P 1786 Top Guide, Timberstep 164, Schemes A & C, Sash Thickness 56-68mm

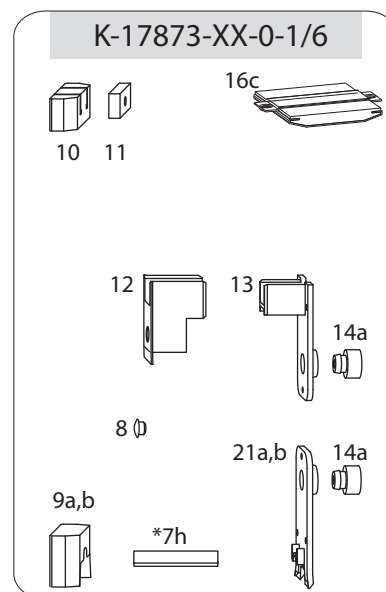
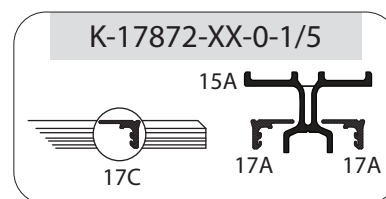


| 15mm bottom track | | | | | | | |
|-------------------|--|----|------------------|------|---|------|---|
| Pos. | Description | PU | Part Number | Qty. | | Ref. | |
| | | | | A | C | | |
| 15 | Bag of gliding rail P 1786 (5M or 6.7M length) | 1 | K-17872-XX-0-1/5 | 1 | 1 | H | |
| 98 | Timberstep 164 (6.7M length) | 1 | 6-35030-67-0-1/5 | 1 | 1 | | |
| 61A | Track bottom P 1635 15mm (6.7M length) | 1 | 9-39311-67-0-1/5 | 1 | 1 | | |
| 91 | Intermediate profil P 1741 (3.3M length) | 1 | P-01741-33-0-* | 1 | 1 | | |
| 64 | Attachment track P 1634, fixed panel (3.3M length) | 1 | 9-39309-33-0-1/5 | 1 | 2 | | |
| 67 | End cap P 1634 | 1 | 9-39328-00-L/R-* | 1 | 2 | | |
| 87 | Gasket plate P 1634 for attachment track | 1 | 9-44559-00-L/R-* | 1 | 2 | | |
| | Bag of accessories P 1786 | 1 | K-17873-15-0-* | 1 | 2 | | I |
| 7 | Sealing plate for running rail | 1 | 9-43654-00-0-6 | 1 | 2 | | J |
| 17B | Gasket P 743 (20M roll) | 20 | W751012-20-0-6X | 1 | 1 | | K |

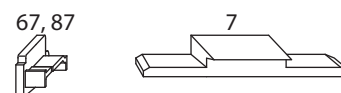
| 5mm bottom track | | | | | | | |
|------------------|--|----|------------------|------|---|------|---|
| Pos. | Description | PU | Part Number | Qty. | | Ref. | |
| | | | | A | C | | |
| 15 | Bag of gliding rail P 1786 (5M or 6.7M length) | 1 | K-17872-XX-0-1/5 | 1 | 1 | H | |
| 98 | Timberstep 164 (6.7M length) | 1 | 6-35030-67-0-1/5 | 1 | 1 | | |
| 61B | Track bottom P 1635 15mm (6.7M length) | 1 | 9-39312-67-0-1/5 | 1 | 1 | | |
| 91 | Intermediate profil P 1741 (3.3M length) | 1 | P-01741-33-0-* | 1 | 1 | | |
| 64 | Attachment track P 1634, fixed panel (3.3M length) | 1 | 9-39309-33-0-1/5 | 1 | 2 | | |
| 67 | End cap P 1634 | 1 | 9-39328-00-L/R-* | 1 | 2 | | |
| 87 | Gasket plate P 1634 for attachment track | 1 | 9-44559-00-L/R-* | 1 | 2 | | |
| | Bag of accessories P 1786 | 1 | K-17873-05-0-* | 1 | 2 | | I |
| 7 | Sealing plate for running rail | 1 | 9-43654-00-0-6 | 1 | 2 | | J |
| 17B | Gasket P 743 (20M roll) | 20 | W751012-20-0-6X | 1 | 1 | | K |

XX = Length : 50 = 5M or 67 = 6.7M

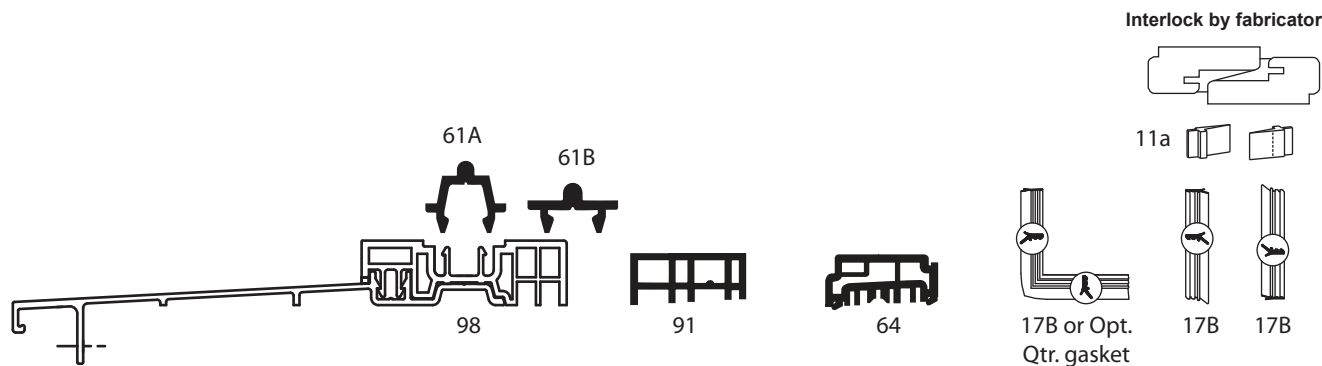
* = Finish : 1 = Grey, 6 = Black



* 7h only in K-17873-05

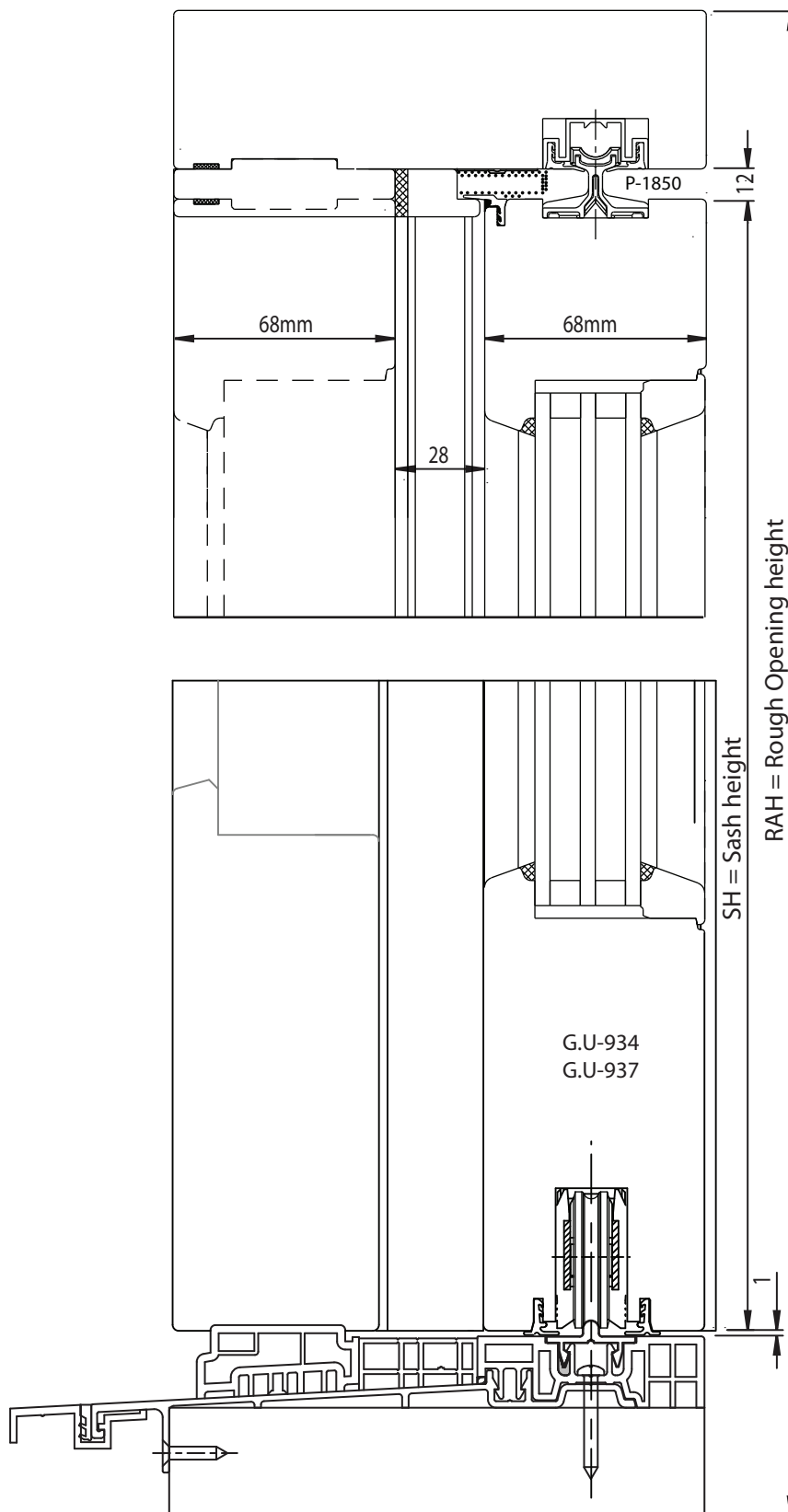


05
1



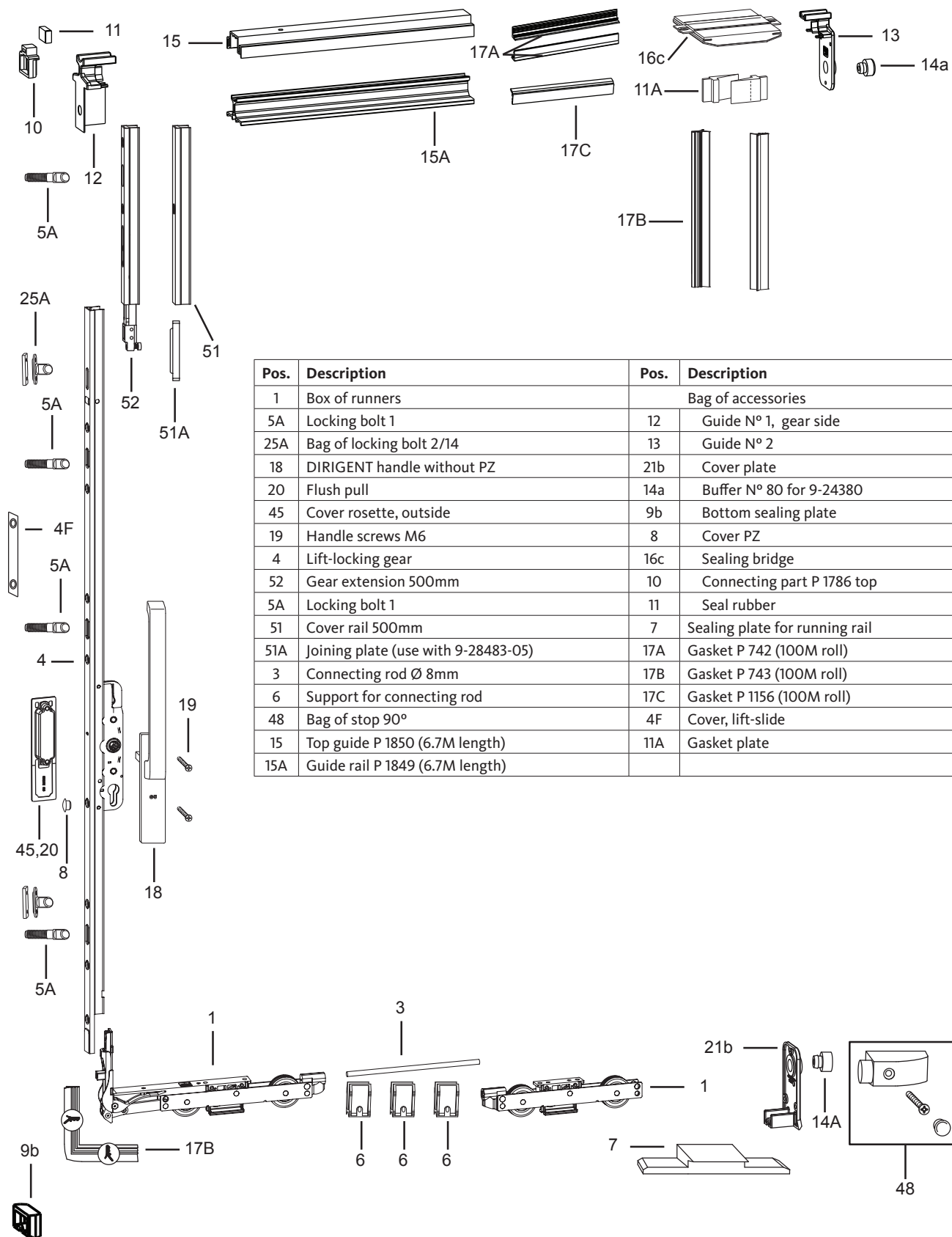
GU-934/937 H Lift&Slide Hardware

P 1850 Top Guide Elevation with Timberstep 164



GU-934/937 H Lift&Slide Hardware

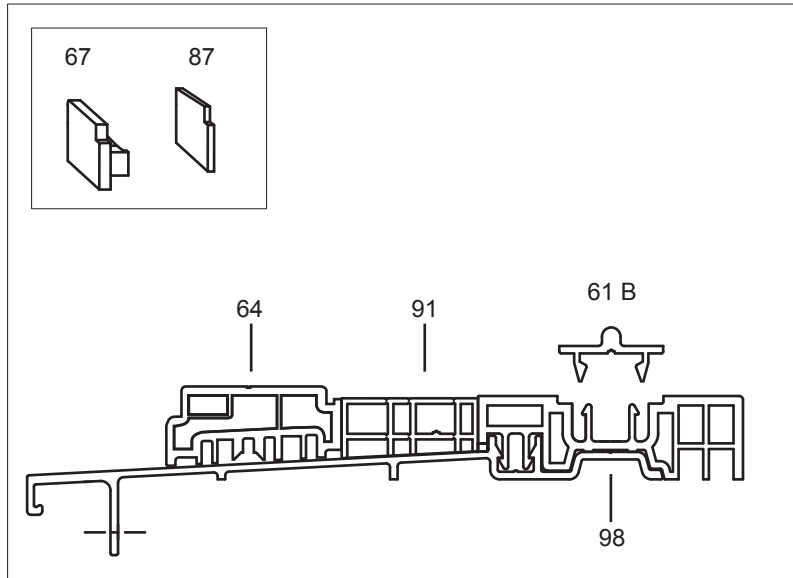
P 1850 Top Guide, Timberstep 164, Sash Thickness 68mm



| Pos. | Description | Pos. | Description |
|------|-------------------------------------|------|--------------------------------|
| 1 | Box of runners | | Bag of accessories |
| 5A | Locking bolt 1 | 12 | Guide N° 1, gear side |
| 25A | Bag of locking bolt 2/14 | 13 | Guide N° 2 |
| 18 | DIRIGENT handle without PZ | 21b | Cover plate |
| 20 | Flush pull | 14a | Buffer N° 80 for 9-24380 |
| 45 | Cover rosette, outside | 9b | Bottom sealing plate |
| 19 | Handle screws M6 | 8 | Cover PZ |
| 4 | Lift-locking gear | 16c | Sealing bridge |
| 52 | Gear extension 500mm | 10 | Connecting part P 1786 top |
| 5A | Locking bolt 1 | 11 | Seal rubber |
| 51 | Cover rail 500mm | 7 | Sealing plate for running rail |
| 51A | Joining plate (use with 9-28483-05) | 17A | Gasket P 742 (100M roll) |
| 3 | Connecting rod Ø 8mm | 17B | Gasket P 743 (100M roll) |
| 6 | Support for connecting rod | 17C | Gasket P 1156 (100M roll) |
| 48 | Bag of stop 90° | 4F | Cover, lift-slide |
| 15 | Top guide P 1850 (6.7M length) | 11A | Gasket plate |
| 15A | Guide rail P 1849 (6.7M length) | | |

GU-934/937 H Lift&Slide Hardware

Timberstep 164, Sash Thickness 68mm



| Pos. | Description |
|------|--|
| 61B | Running rail P 1635 5mm (6.7M length) |
| 64 | Rail P 1634, fixed panel (3.3M length) |
| 67 | End cap P 1634 |
| 87 | Sealing plate |
| 91 | Intermediate profile, 36.5mm width (3.3M length) |
| 98 | Timberstep 164 (6.7M length) |

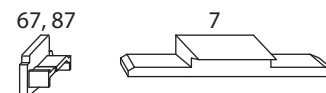
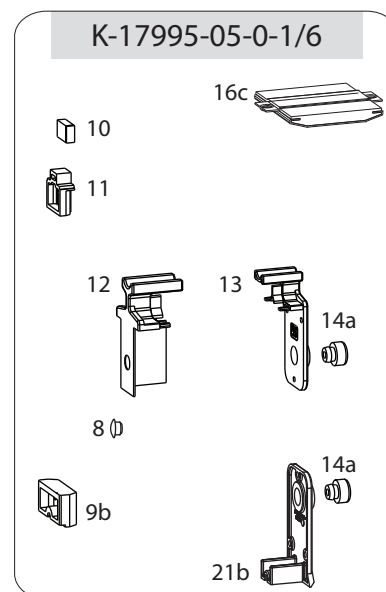
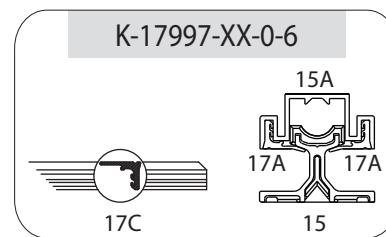
GU-934/937 H Lift&Slide Hardware

P 1850 Top Guide, Timberstep 164, Schemes A & C, Sash Thickness 68mm



| 5mm bottom track | | | | | | |
|------------------|--|----|------------------|------|---|----------|
| Pos. | Description | PU | Part Number | Qty. | | Ref. |
| | | | | A | C | |
| 15 | Bag of gliding rail P 1850 (5M or 6.7M length) | 1 | K-17997-XX-0-6 | 1 | 1 | H |
| 98 | Timberstep 164 (longueur 6.7M) | 1 | 6-35030-67-0-1/5 | | | |
| 61B | Track bottom P 1635 15mm (6.7M length) | 1 | 9-39312-67-0-1/5 | 1 | 1 | |
| 91 | Intermediate profil P 1741 (3.3M length) | 1 | P-01741-33-0-* | | | |
| 64 | Attachment track P 1634, fixed panel (3.3M length) | 1 | 9-39309-33-0-1/5 | 1 | 2 | |
| 67 | End cap P 1634 | 1 | 9-39328-00-L/R-* | 1 | 2 | |
| 87 | Gasket plate P 1634 for attachment track | 1 | 9-44559-00-L/R-* | 1 | 2 | |
| | Bag of accessories P 1850 | 1 | K-17995-05-0-* | 1 | 2 | |
| 7 | Sealing plate for running rail | 1 | 9-43654-00-0-6 | 1 | 2 | J |
| 17B | Gasket P 743 (20M roll) | 20 | W751012-20-0-6X | 1 | 1 | K |
| 11A | Gasket plate | 1 | K-18432-28-0-1 | 1 | 2 | |

XX = Length : 50 = 5M or 67 = 6.7M
 * = Finish : 1 = Grey, 6 = Black



Interlock by fabricator

