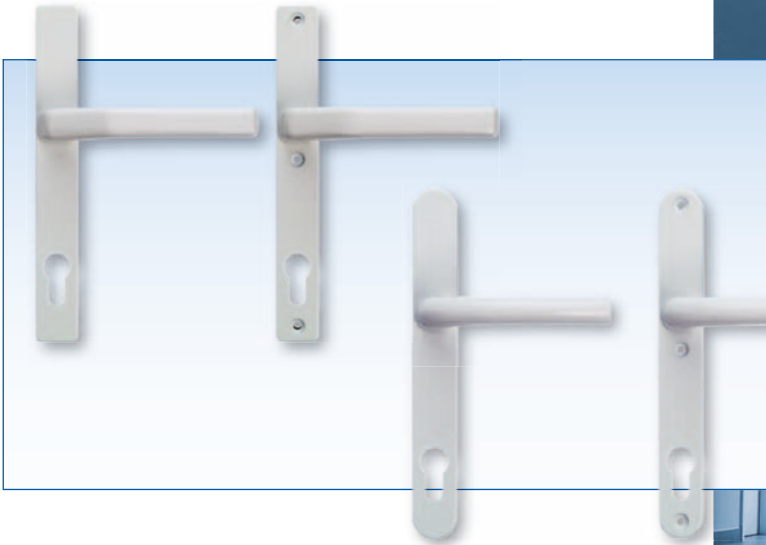


Turn Handles



Turn handles for windows
Narrow stile furniture sets for doors



Contents

Finish

Available colours, product information	3
--	---

DIRIGENT

Turn handles for windows	4
Narrow stile furniture sets for doors	6

ADAGIO

Turn handles for windows	8
Narrow stile furniture sets for doors	10

MODENA

Turn handles for windows	12
Narrow stile furniture sets for doors	13

SOPRANO

Turn handles for windows	15
Narrow stile furniture sets for doors	16

SAN REMO

Turn handles for windows	17
--------------------------	----

Accessories

Face fixed window lock	18
Rosettes and spindles for windows and patio doors	19



silver



champagne



gold



light brown



dark brown



white



titanium painted

Colours

The turn handles DIRIGENT, ADAGIO, MODENA, SOPRANO and SAN REMO are made from aluminium with painted or powder coated finish. The handles are available in the following standard colours (with matching rosettes):

- F 1/EV 1, silver
- F 2/EV 2, champagne
- F 3, gold
- F 4, light brown
- dark brown (RAL 8022 matt)
- white (RAL 9016)
- titanium painted

Illustration: handle type DIRIGENT

Available colours	Standard types Quantities					Example: Order number 6-28072-29-0-7
	DIRIGENT	ADAGIO	MODENA	SOPRANO	SAN REMO	
						6-28072- - -00 - - = Article number - -29 - - = without spindle - -33 - - = spindle length 29 mm - -38 - - = spindle length 33 mm - -38 - - = spindle length 38 mm - -43 - - = spindle length 43 mm - - -0 - - = usable on both sides - - -L - - = DIN left - - -R - - = DIN right - - - -11 = F 1/EV 1, silver - - - -22 = F 2/EV 2, champagne - - - -3 = F 3, gold colour - - - -A = F 4, light brown - - - -5 = dark brown (RAL 8022) - - - -7 = white (RAL 9016) - - - -C = titanium painted
silver	20	20	100*	20	20	
champagne	20	20	20	-	20	
gold colour	20	20	20	-	20	
light brown	20	20	20	-	20	
dark brown	20	20	20	20	20	
white	20	100*	100*	20	20	
titanium	20	20	20	-	20	

*Packing unit (lockable types: PU = 20)

Turn handles for windows

The turn handles DIRIGENT captivate by their clear shape. Elegance and functionality are the main features of the DIRIGENT design.

The programme comprises inside and outside handles made from aluminium for timber, PVC and aluminium windows and balcony doors.



Standard types

Description	Variant	Order number
DIRIGENT-F	inside ¹	6-28072-** *-0-*
DIRIGENT-F/Z	inside, with locking cylinder ¹	6-28075-** *-0-*
DIRIGENT-F/F	inside, flat	6-28101-00-0-*
DIRIGENT-F/H	inside, high	6-28102-00-0-*
DIRIGENT-F/A	outside	6-25993-00-0-*

¹ also without spindle

Special types

Description	Variant	Order number
DIRIGENT-F/SP	inside, 45° stop	6-28094-** *-0-*
DIRIGENT-F/KD	inside, with childproof safety button	6-30268-** *-0-*
DIRIGENT-F/CHK	inside, with Swiss type night lock	6-28096-00-0-*
DIRIGENT-F/SG	inside, removable	8-00694-50-0-7
DIRIGENT first tilt	inside, first tilt, lockable	6-25993-00-0-*
DIRIGENT-F/AF	outside, flat	6-25223-00-0-*

Cranked inside handles for outward opening windows and balcony doors (side hung)

Description	Variant	Order number
DIRIGENT-F/GF-LS	crank for DIN left, flat	6-28105-00-0-*
DIRIGENT-F/GF-RS	crank for DIN right, flat	6-28106-00-0-*

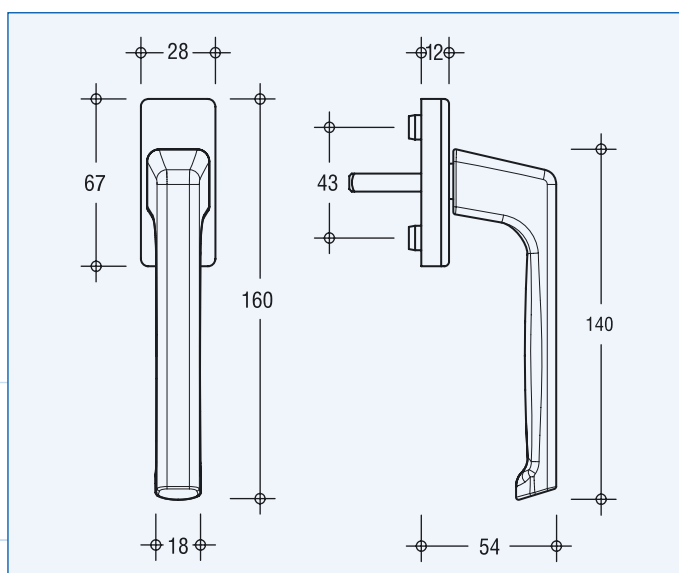
Cranked outside handles for inward opening windows and balcony doors (side hung)

Description	Variant	Order number
DIRIGENT-F/AGF-LS	crank for DIN left, flat	6-27350-00-0-*
DIRIGENT-F/AGF-RS	crank for DIN right, flat	6-27349-00-0-*

* Spindle length and colours see page 3

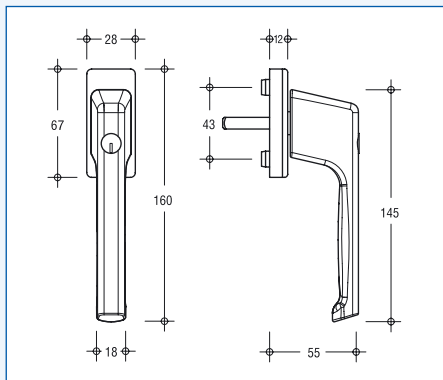
Technical data

Inside rosette	28 x 67 mm
Detent	90° or 90° and 45° with F/SP
Positioning plugs	Ø 10 mm
Length of pos. plugs	5 mm
Square spindle	fixed, 7 x 29, 7 x 33, 7 x 38 or 7 x 43 mm
Differ	F/Z keyed alike
Rosette cover	turnable
Fixing	concealed

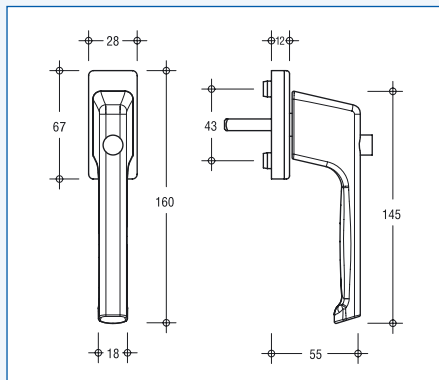


DIRIGENT-F, DIRIGENT-F/SP

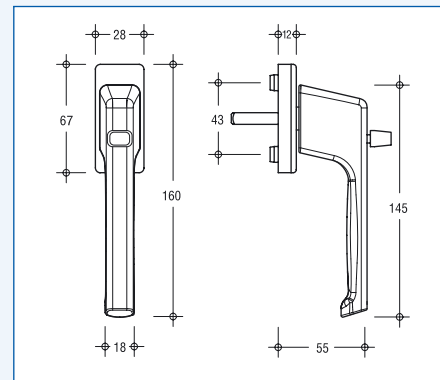
Dimensions of special types



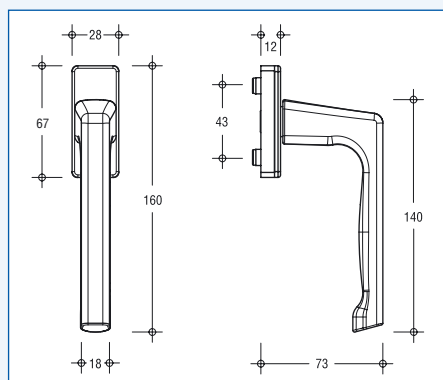
DIRIGENT-F/Z



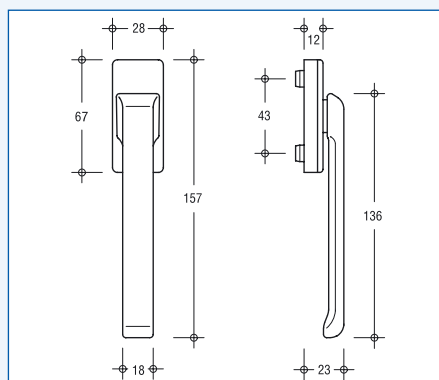
DIRIGENT-F/KD



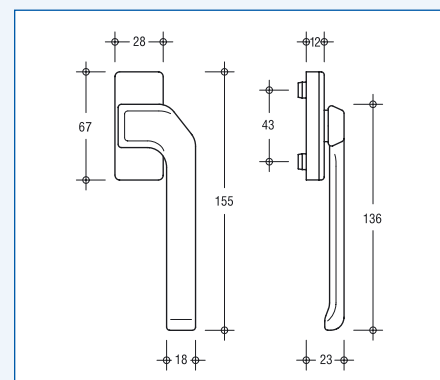
DIRIGENT-F/CHK



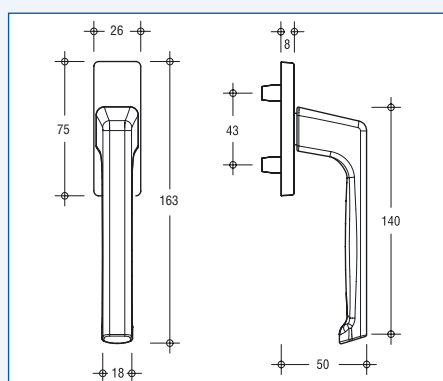
DIRIGENT-F/H



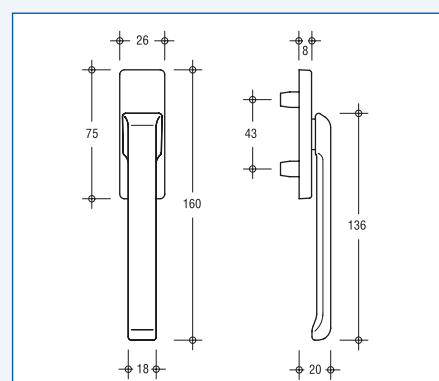
DIRIGENT-F/F



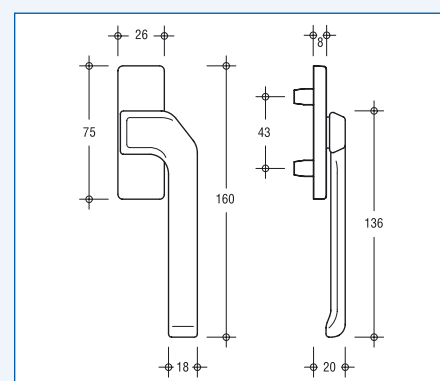
DIRIGENT-F/GF (illustrated: DIN left)



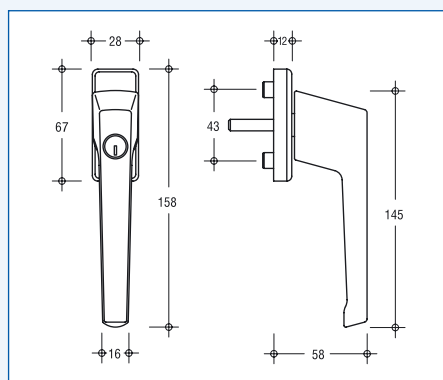
DIRIGENT-F/A



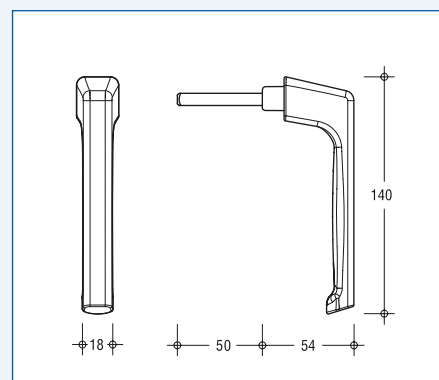
DIRIGENT-F/AF



DIRIGENT-F/AGF (illustrated: DIN left)



DIRIGENT first tilt



DIRIGENT-F/SG

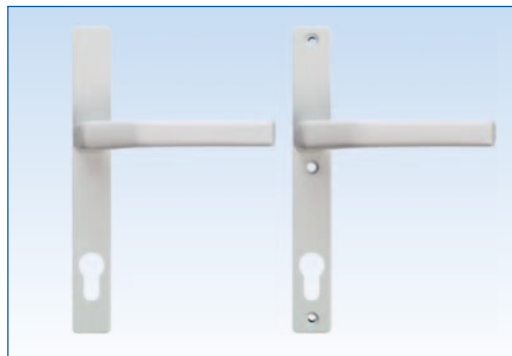
Narrow stile furniture sets for doors

DIRIGENT-T/S – Slanted handle, backplate outside and inside, fixed backplate with friction washer

Backplate height	220 mm
Backplate width	28 mm
Backplate thickness	9 mm
Centres	70, 72 and 92 mm
Square spindle	7 mm (for 70 mm centres)
	8 mm (for 72, 92 mm centres)
No. of screws	2 (for 70, 72 mm centres)
	3 (for 92 mm centres)

Square backplate

Colour: silver, brown (RAL 8022 matt), white (RAL 9016)



Monobloc DIRIGENT

Turn handle inside and outside, inclusive fastening screws and square spindle

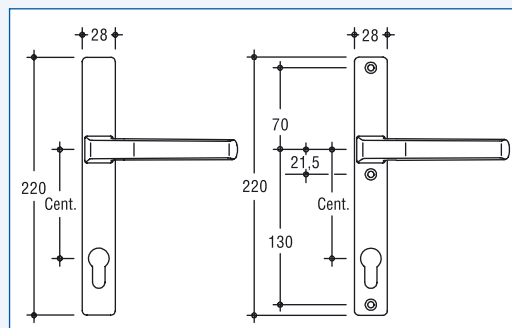
Monobloc DIRIGENT without springs

PU	Cent.	Colour	Order number
5 sets	92 mm	silver	K-16754-45-0-1
5 sets	92 mm	brown	K-16754-45-0-5
5 sets	92 mm	white	K-16754-45-0-7
5 sets	72 mm	*	K-16754-52-0-*
5 sets	70 mm	*	K-16973-51-0-*

Monobloc DIRIGENT with springs ¹

5 sets	92 mm	*	K-16753-45-0-*
--------	-------	---	----------------

¹ Centres 72 and 70 mm on request



Monobloc DIRIGENT

Turn handle inside, fixed pull outside, inclusive fastening screws and square spindle

(Figure shows rh variant)

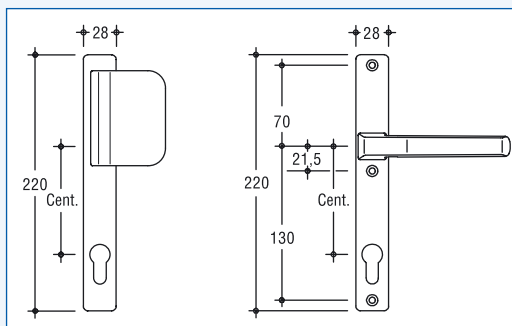
Monobloc DIRIGENT without springs

PU	Cent.	Colour	Order number
2 sets	92 mm	silver	K-16756-45-L/R-1
2 sets	92 mm	brown	K-16756-45-L/R-5
2 sets	92 mm	white	K-16756-45-L/R-7
2 sets	72 mm	*	K-16756-52-L/R-*
2 sets	70 mm	*	K-16974-51-L/R-*

Monobloc DIRIGENT with springs ²

2 sets	92 mm	*	K-16755-45-L/R-*
--------	-------	---	------------------

² Centres 72 and 70 mm on request



Monobloc DIRIGENT

Single back plate, turn handle inside

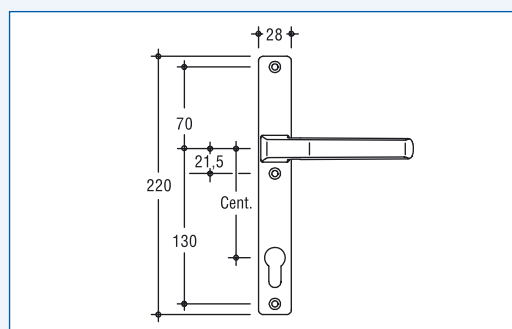
Monobloc DIRIGENT without springs

PU	Cent.	Colour	Order number
10 pcs.	92 mm	silver	6-32372-45-0-1
10 pcs.	92 mm	brown	6-32372-45-0-5
10 pcs.	92 mm	white	6-32372-45-0-7
10 pcs.	72 mm	*	6-32372-52-0-*
10 pcs.	70 mm	*	6-32373-51-0-*

Monobloc DIRIGENT with springs ³

10 pcs.	92 mm	*	6-32366-45-0-*
---------	-------	---	----------------

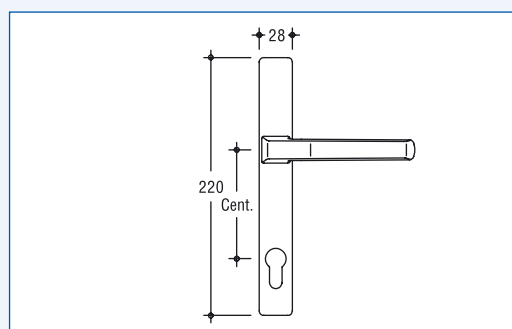
³ Centres 72 and 70 mm on request



Monobloc DIRIGENT

Single back plate, turn handle outside

PU	Cent.	Colour	Order number
10 pcs.	92 mm	silver	6-32369-45-0-1
10 pcs.	92 mm	brown	6-32369-45-0-5
10 pcs.	92 mm	white	6-32369-45-0-7
10 pcs.	72 mm	*	6-32369-52-0-*
10 pcs.	70 mm	*	6-32370-51-0-*

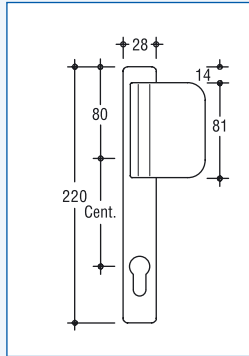


Narrow stile furniture sets for doors

Monobloc DIRIGENT

Single back plate, fixed pull outside
(Figure shows rh variant)

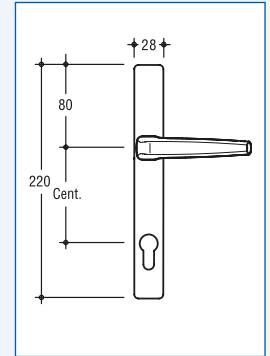
PU	Cent.	Colour	Order number
4 pcs.	92 mm	silver	6-32423-45-L/R-1
4 pcs.	92 mm	brown	6-32423-45-L/R-5
4 pcs.	92 mm	white	6-32423-45-L/R-7
4 pcs.	72 mm	*	6-32423-52-L/R-*
4 pcs.	70 mm	*	6-32423-51-L/R-*



Monobloc DIRIGENT

Single back plate, flat turn handle outside

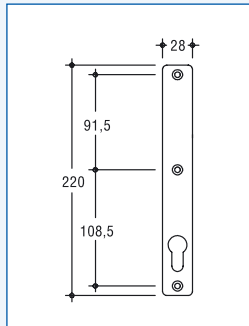
PU	Cent.	Colour	Order number
10 pcs.	92 mm	silver	6-32405-45-0-1
10 pcs.	92 mm	brown	6-32405-45-0-5
10 pcs.	92 mm	white	6-32405-45-0-7
10 pcs.	72 mm	*	6-32405-52-0-*
10 pcs.	70 mm	*	6-32406-51-0-*



Monobloc DIRIGENT

Inside backplate with cylinder bore

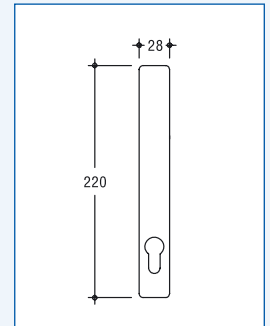
PU	Cent.	Colour	Order number
10 pcs.	92 mm	silver	9-42457-45-0-1
10 pcs.	92 mm	brown	9-42457-45-0-5
10 pcs.	92 mm	white	9-42457-45-0-7
10 pcs.	72 mm	*	9-42457-52-0-*
10 pcs.	70 mm	*	9-42457-51-0-*



Monobloc DIRIGENT

Outside backplate with cylinder bore

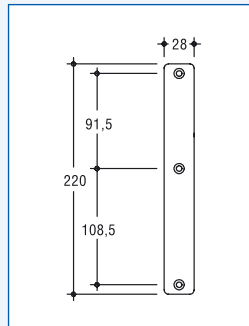
PU	Cent.	Colour	Order number
10 pcs.	92 mm	silver	9-42456-45-0-1
10 pcs.	92 mm	brown	9-42456-45-0-5
10 pcs.	92 mm	white	9-42456-45-0-7
10 pcs.	72 mm	*	9-42456-52-0-*
10 pcs.	70 mm	*	9-42456-51-0-*



Monobloc DIRIGENT

Dummy backplate inside

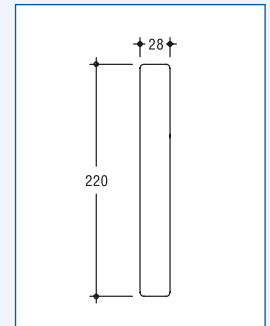
PU	Screws	Colour	Order number
10 pcs.	3 pcs.	silver	9-42457-40-0-1
10 pcs.	3 pcs.	brown	9-42457-40-0-5
10 pcs.	3 pcs.	white	9-42457-40-0-7
10 pcs.	2 pcs.	*	9-42457-50-0-*



Monobloc DIRIGENT

Dummy backplate outside

PU	Screws	Colour	Order number
10 pcs.	3 pcs.	silver	9-42456-40-0-1
10 pcs.	3 pcs.	brown	9-42456-40-0-5
10 pcs.	3 pcs.	white	9-42456-40-0-7
10 pcs.	2 pcs.	*	9-42456-50-0-*



Accessories:

Set of 2 turn handles

PU	Cent.	Colour	Screws	Square	Order number
10 sets	92 mm	silver	3 pcs.	8 x 130	K-15203-00-0-1
10 sets	92 mm	brown	3 pcs.	8 x 130	K-15203-00-0-5
10 sets	92 mm	white	3 pcs.	8 x 130	K-15203-00-0-7
10 sets	72 mm	*	2 pcs.	8 x 130	K-15203-02-0-*
10 sets	70 mm	*	2 pcs.	7 x 130	K-15929-13-0-*

Accessories: Set of turn handle/flat turn handle/alternatively turn handle/dummy

PU	Cent.	Colour	Screws	Square	Order number
10 sets	92 mm	silver	3 pcs.	8 x 100	K-15203-05-0-1
10 sets	92 mm	brown	3 pcs.	8 x 100	K-15203-05-0-5
10 sets	92 mm	white	3 pcs.	8 x 100	K-15203-05-0-7
10 sets	72 mm	*	2 pcs.	8 x 100	K-15203-04-0-*
10 sets	70 mm	*	2 pcs.	7 x 100	K-15929-10-0-*

Monobloc accessories are suitable for door leaf thicknesses from 54 to 84 mm
Square spindle 7 or 8 mm, length 130 mm
Phillips screw M 5, length 90 mm

Turn handles for windows

Round and soft shapes are the dominant features of the ADAGIO window handle design. They are operated with ease and feel comfortable.

The programme comprises handles made from aluminium for timber, PVC and aluminium windows and balcony doors.

Standard types

Description	Variant	Order number
ADAGIO-F	inside ¹	6-29548-** *-0-*
ADAGIO-F/Z	inside, with locking cylinder	6-29549-** *-0-*

¹ also without spindle

Special types

Description	Variant	Order number
ADAGIO-F/KD	inside, with childproof safety button	6-29890-** *-0-*
ADAGIO-F/SP	inside, 45° stop	6-31803-** *-0-*

Cranked inside handles for outward opening windows and balcony doors (side hung)

Description	Variant	Order number
ADAGIO-F/G-LS	crank DIN left, square rosette	6-31323-00-0-*
ADAGIO-F/G-RS	crank DIN right, square rosette	6-31221-00-0-*
ADAGIO-F/G-LS	crank DIN left, round rosette	6-33636-00-0-*
ADAGIO-F/G-RS	crank DIN right, round rosette	6-33637-00-0-*
ADAGIO-F/G 24-LS	crank DIN left, round rosette	6-31441-38-0-*
ADAGIO-F/G 24-RS	crank DIN right, round rosette	6-31442-38-0-*
ADAGIO-F/GZ-LS	crank DIN left, round rosette	6-33451-00-0-*
ADAGIO-F/GZ-RS	crank DIN right, round rosette with looking cylinder	6-33452-00-0-*

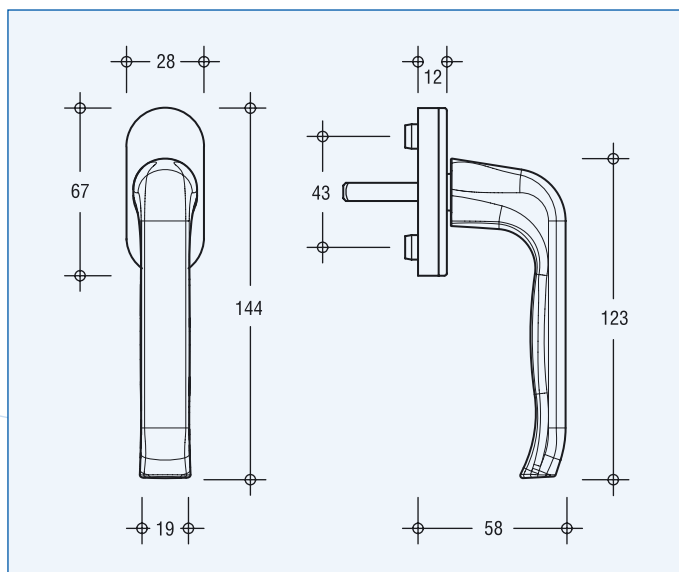
Cranked outside handles for inward opening windows and balcony doors (side hung)

Description	Variant	Order number
ADAGIO-F/AG-LS	crank DIN left, square rosette	6-32411-00-0-*
ADAGIO-F/AG-RS	crank DIN right, square rosette	6-32412-00-0-*
ADAGIO-F/AG-LS	crank DIN left, round rosette	6-33634-00-0-*
ADAGIO-F/AG-RS	crank DIN right, round rosette	6-33635-00-0-*

* Spindle length and colours see page 3

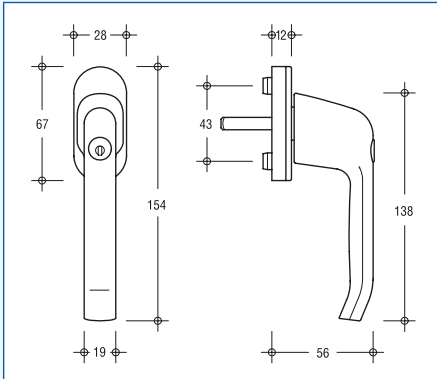
Technical data

Inside rosette	28 x 67 mm (rounded)
Detent	90° or 90° and 45° F/SP
Positioning plugs	Ø 10 mm
Length of pos. plugs	5 mm
Square spindle	fixed, 7 x 29, 7 x 33, 7 x 38 or 7 x 43 mm
Differ	F/Z keyed alike
Rosette cover	turnable
Fixing	concealed

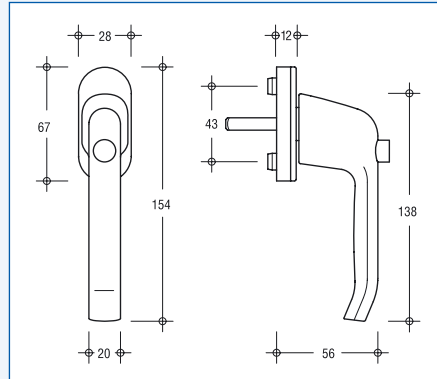


ADAGIO-F, ADAGIO-F/SP

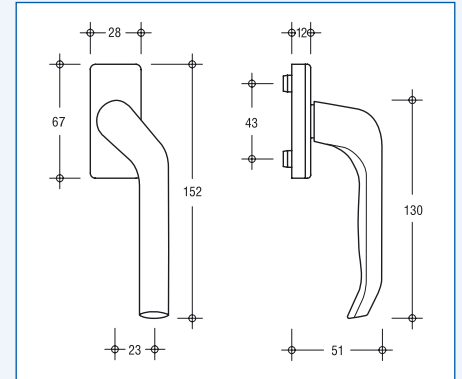
Dimensions of special types



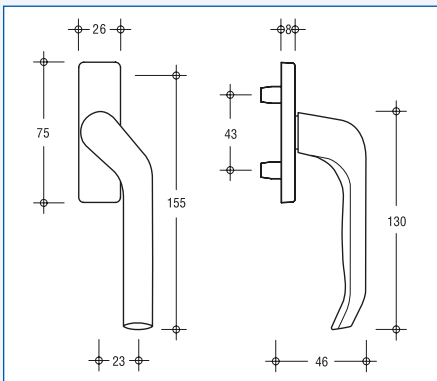
ADAGIO-F/Z



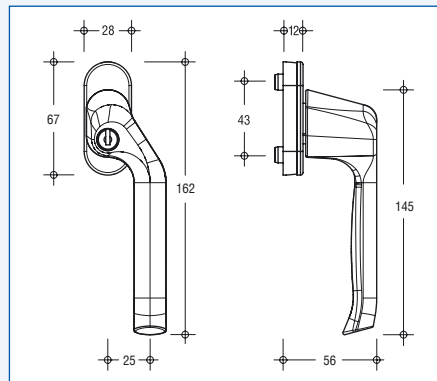
ADAGIO-F/KD



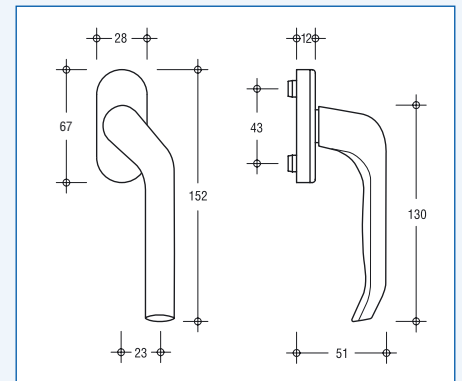
ADAGIO-F/G (illustrated: DIN left)



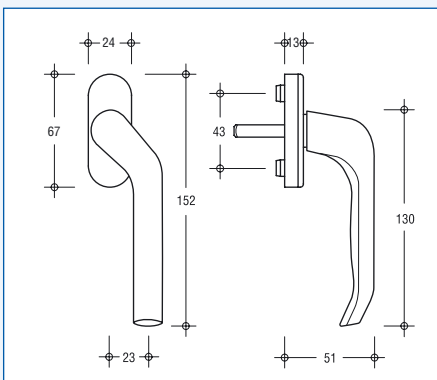
ADAGIO-F/AG (illustrated: DIN left)



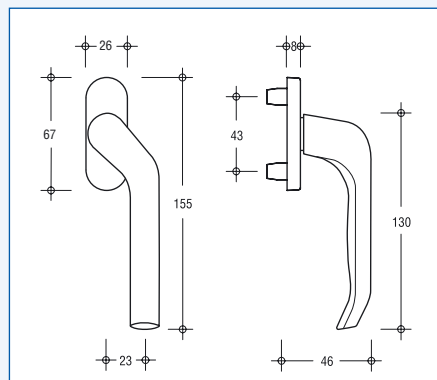
ADAGIO-F/GZ (illustrated: DIN left)



ADAGIO-F/G (illustrated: DIN left)



ADAGIO-F/G 24 (illustrated: DIN left)



ADAGIO-F/AG (illustrated: DIN left)

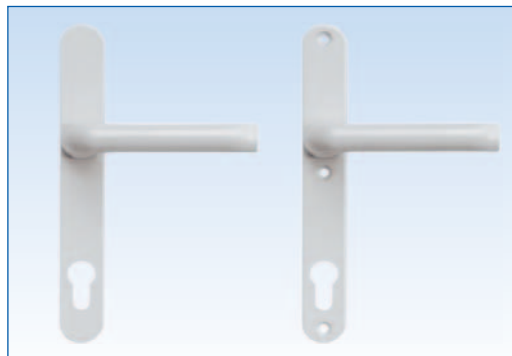
Narrow stile furniture sets for doors

ADAGIO-T – Backplate outside and inside, fixed backplate with friction washer

Backplate height	220 mm
Backplate width	28 mm
Backplate thickness	9 mm
Centres	70, 72 and 92 mm
Square spindle	7 mm (for 70 mm centres)
	8 mm (for 72, 92 mm centres)
No. of screws	2 (for 70, 72 mm centres)
	3 (for 92 mm centres)

Rounded backplate

Colour: silver, brown (RAL 8022 matt), white (RAL 9016)



Monobloc ADAGIO

Turn handle inside and outside, inclusive fastening screws and square spindle

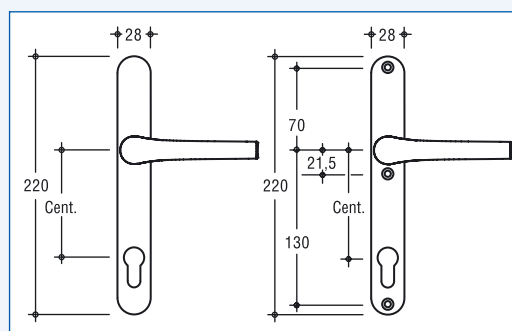
Monobloc ADAGIO without spring

PU	Cent.	Colour	Order number
5 sets	92 mm	silver	K-16758-05-0-1
5 sets	92 mm	brown	K-16758-05-0-5
5 sets	92 mm	white	K-16758-05-0-7
5 sets	72 mm	*	K-16758-12-0-*
5 sets	70 mm	*	K-16830-11-0-*

Monobloc ADAGIO with spring ¹

5 sets	92 mm	*	K-16757-05-0-*
--------	-------	---	----------------

¹ Centres 72 and 70 mm on request



Monobloc ADAGIO

Turn handle inside, fixed pull outside, inclusive fastening screws and square spindle

(Figure shows rh variant)

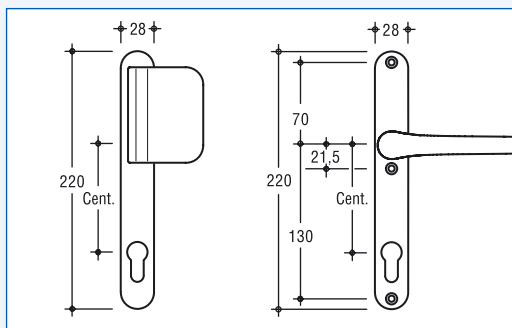
Monobloc ADAGIO without spring

PU	Cent.	Colour	Order number
2 sets	92 mm	silver	K-16760-05-L/R-1
2 sets	92 mm	brown	K-16760-05-L/R-5
2 sets	92 mm	white	K-16760-05-L/R-7
2 sets	72 mm	*	K-16760-12-L/R-*
2 sets	70 mm	*	K-16975-11-L/R-*

Monobloc ADAGIO with spring ²

2 sets	92 mm	*	K-16759-05-L/R-*
--------	-------	---	------------------

² Centres 72 and 70 mm on request



Monobloc ADAGIO

Single back plate, turn handle inside

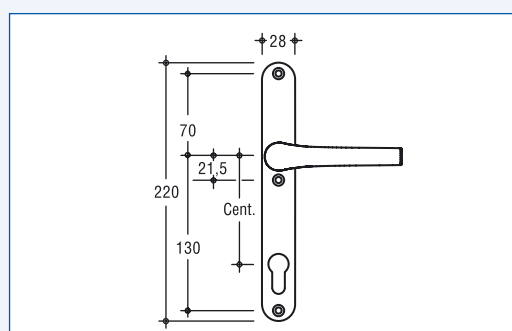
Monobloc ADAGIO without spring

PU	Cent.	Colour	Order number
10 pcs.	92 mm	silver	6-32384-05-0-1
10 pcs.	92 mm	brown	6-32384-05-0-5
10 pcs.	92 mm	white	6-32384-05-0-7
10 pcs.	72 mm	*	6-32384-12-0-*
10 pcs.	70 mm	*	6-32385-11-0-*

Monobloc ADAGIO with spring ³

10 pcs.	92 mm	*	6-32378-05-0-*
---------	-------	---	----------------

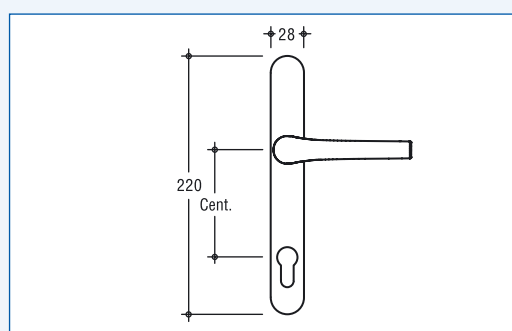
³ Centres 72 and 70 mm on request



Monobloc ADAGIO

Single back plate, turn handle outside

PU	Cent.	Colour	Order number
10 pcs.	92 mm	silver	6-32381-05-0-1
10 pcs.	92 mm	brown	6-32381-05-0-5
10 pcs.	92 mm	white	6-32381-05-0-7
10 pcs.	72 mm	*	6-32381-12-0-*
10 pcs.	70 mm	*	6-32382-11-0-*

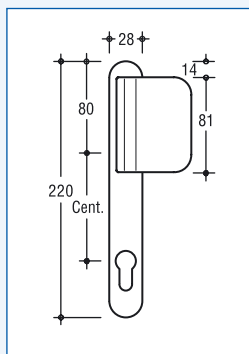


Narrow stile furniture sets for doors

Monobloc ADAGIO

Single back plate, fixed pull outside
(Figure shows rh variant)

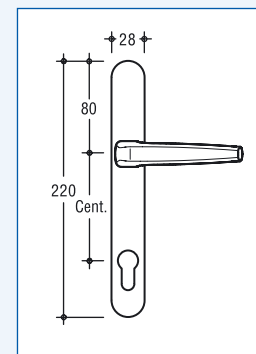
PU	Cent.	Colour	Order number
4 pcs.	92 mm	silver	6-32423-05-L/R-1
4 pcs.	92 mm	brown	6-32423-05-L/R-5
4 pcs.	92 mm	white	6-32423-05-L/R-7
4 pcs.	72 mm	*	6-32423-12-L/R-*
4 pcs.	70 mm	*	6-32423-11-L/R-*



Monobloc ADAGIO

Single back plate, flat turn handle outside

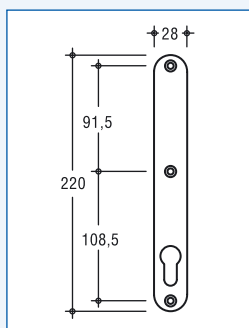
PU	Cent.	Colour	Order number
10 pcs.	92 mm	silver	6-32405-05-0-1
10 pcs.	92 mm	brown	6-32405-05-0-5
10 pcs.	92 mm	white	6-32405-05-0-7
10 pcs.	72 mm	*	6-32405-12-0-*
10 pcs.	70 mm	*	6-32406-11-0-*



Monobloc ADAGIO

Inside backplate with cylinder bore

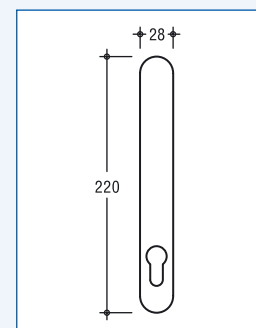
PU	Cent.	Colour	Order number
10 pcs.	92 mm	silver	9-42457-05-0-1
10 pcs.	92 mm	brown	9-42457-05-0-5
10 pcs.	92 mm	white	9-42457-05-0-7
10 pcs.	72 mm	*	9-42457-12-0-*
10 pcs.	70 mm	*	9-42457-11-0-*



Monobloc ADAGIO

Outside backplate with cylinder bore

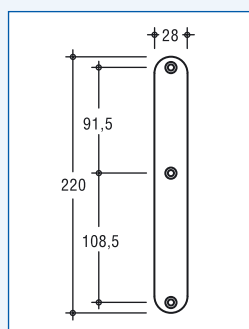
PU	Cent.	Colour	Order number
10 pcs.	92 mm	silver	9-42456-05-0-1
10 pcs.	92 mm	brown	9-42456-05-0-5
10 pcs.	92 mm	white	9-42456-05-0-7
10 pcs.	72 mm	*	9-42456-12-0-*
10 pcs.	70 mm	*	9-42456-11-0-*



Monobloc ADAGIO

Dummy backplate inside

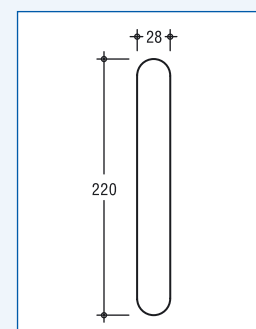
PU	Screws	Colour	Order number
10 pcs.	3 pcs.	silver	9-42457-00-0-1
10 pcs.	3 pcs.	brown	9-42457-00-0-5
10 pcs.	3 pcs.	white	9-42457-00-0-7
10 pcs.	2 pcs.	*	9-42457-10-0-*



Monobloc ADAGIO

Dummy backplate outside

PU	Screws	Colour	Order number
10 pcs.	3 pcs.	silver	9-42456-00-0-1
10 pcs.	3 pcs.	brown	9-42456-00-0-5
10 pcs.	3 pcs.	white	9-42456-00-0-7
10 pcs.	2 pcs.	*	9-42456-10-0-*



Accessories:

Set of 2 turn handles

PU	Cent.	Colour	Screws	Square	Order number
10 sets	92 mm	silver	3 pcs.	8 x 130	K-15203-00-0-1
10 sets	92 mm	brown	3 pcs.	8 x 130	K-15203-00-0-5
10 sets	92 mm	white	3 pcs.	8 x 130	K-15203-00-0-7
10 sets	72 mm	*	2 pcs.	8 x 130	K-15203-02-0-*
10 sets	70 mm	*	2 pcs.	7 x 130	K-15929-13-0-*

Accessories: Set of turn handle/ fixed pull
alternatively turn handle/dummy

PU	Cent.	Colour	Screws	Square	Order number
10 sets	92 mm	silver	3 pcs.	8 x 100	K-15203-05-0-1
10 sets	92 mm	brown	3 pcs.	8 x 100	K-15203-05-0-5
10 sets	92 mm	white	3 pcs.	8 x 100	K-15203-05-0-7
10 sets	72 mm	*	2 pcs.	8 x 100	K-15203-04-0-*
10 sets	70 mm	*	2 pcs.	7 x 100	K-15929-10-0-*

Monobloc accessories are suitable for door leaf thicknesses from 54 to 84 mm

Square spindle 7 or 8 mm, length 130 mm

Phillips screw M 5, length 90 mm

Turn handles for windows

The aesthetic design of the MODENA window handles is characterised by its rounded shape. Great ease of use is guaranteed.

The programme comprises inside handles made from aluminium for timber, PVC and aluminum windows and balcony doors.

Standard types

Description	Variant	Order number
MODENA-F	inside	6-31977-** *-0-*
MODENA-F/Z	inside, with locking cylinder	6-31978-** *-0-*

Special types

Description	Variant	Order number
MODENA-F/SP	inside, 45° stop	6-32319-** *-0-*
MODENA-F/Z 100 Nm ¹	inside, with locking cylinder	6-34397-** *-0-*

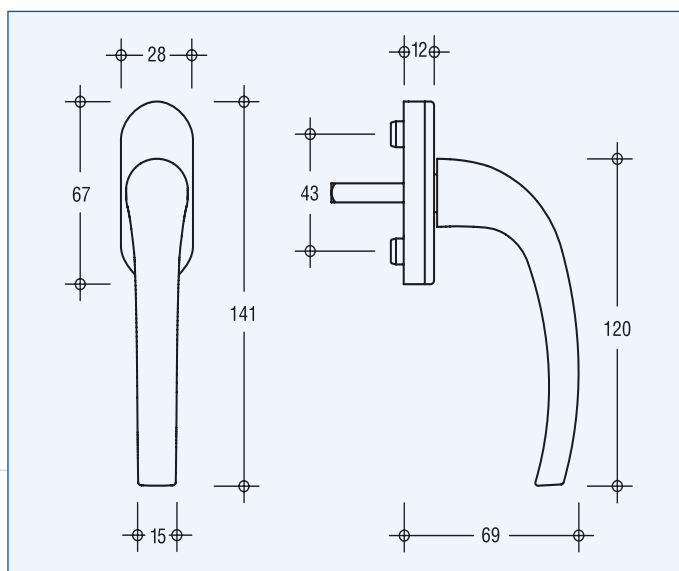
* Spindle length and colours see page 3

¹ Tested to ENV 1627 against tear-off and twist-off with 100 Nm

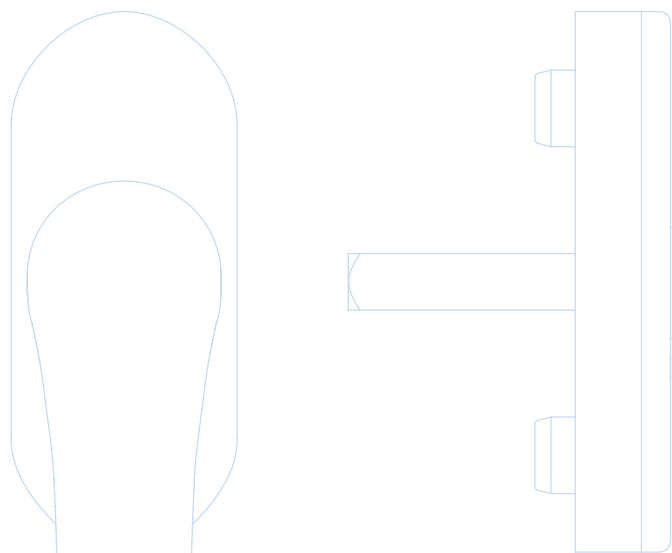


Technical data

Inside rosette	28 x 67 mm
Detent	90° or 90° and 45° F/SP
Positioning plugs	Ø 10 mm
Length of pos. plugs	5 mm
Square spindle	fixed, 7 x 29, 7 x 33 or 7 x 38 mm
Differ	F/Z keyed alike
Rosette cover	turnable
Fixing	concealed



MODENA-F, MODENA-F/SP

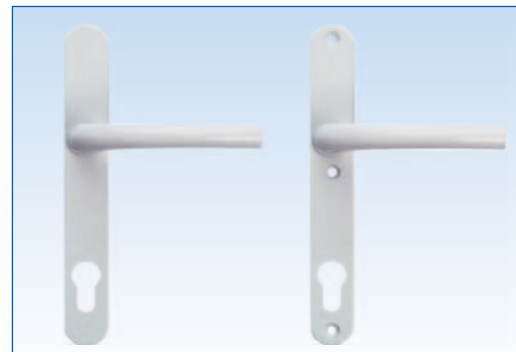


Narrow stile furniture sets for doors

MODENA-T – Backplate outside and inside,
fixed backplate with friction washer

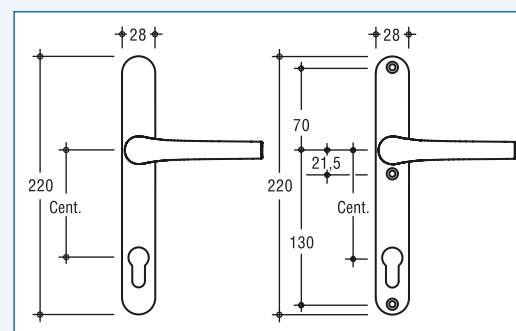
Backplate height	220 mm
Backplate width	28 mm
Backplate thickness	9 mm
Centres	70, 72 and 92 mm
Square spindle	7 mm (for 70 mm centres) 8 mm (for 72, 92 mm centres)
No. of screws	2 (for 70, 72 mm centres) 3 (for 92 mm centres)

Rounded backplate
Colour: silver, brown (RAL 8022 matt), white (RAL 9016)



Monobloc MODENA
Turn handle inside and outside,
inclusive fastening screws and
square spindle

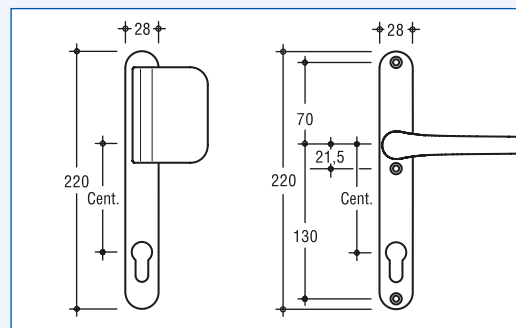
Monobloc MODENA without spring			
PU	Cent.	Colour	Order number
5 sets	92 mm	*	K-16762-05-0-*
5 sets	72 mm	*	on request
5 sets	70 mm	*	on request
Monobloc MODENA with spring			
5 sets	92 mm	*	on request
5 sets	72 mm	*	on request
5 sets	70 mm	*	on request



Monobloc MODENA
Turn handle inside, fixed pull
outside, inclusive fastening screws
and square spindle

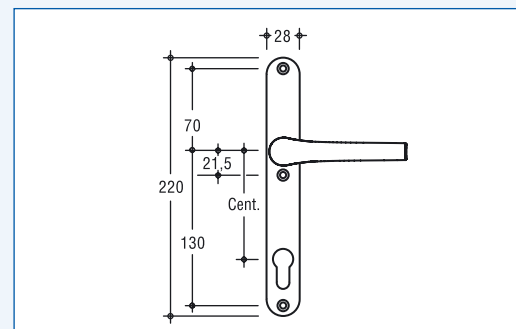
(Figure shows rh variant)

Monobloc MODENA without spring			
PU	Cent.	Colour	Order number
2 sets	92 mm	*	K-16764-05-L/R-*
2 sets	72 mm	*	on request
2 sets	70 mm	*	on request
Monobloc MODENA with spring			
2 sets	92 mm	*	on request
2 sets	72 mm	*	on request
2 sets	70 mm	*	on request



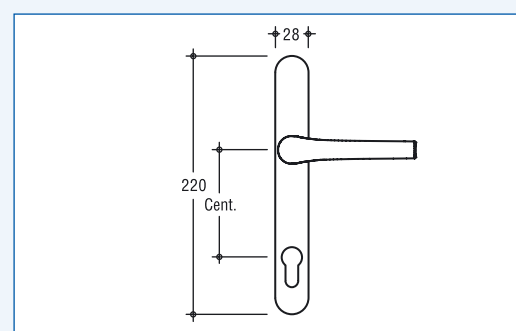
Monobloc MODENA
Single back plate,
turn handle inside

Monobloc MODENA without spring			
PU	Cent.	Colour	Order number
10 pcs.	92 mm	*	6-32396-05-0-*
10 pcs.	72 mm	*	on request
10 pcs.	70 mm	*	on request
Monobloc MODENA with spring			
10 pcs.	92 mm	*	on request
10 pcs.	72 mm	*	on request
10 pcs.	70 mm	*	on request



Monobloc MODENA
Single back plate,
turn handle outside

PU	Cent.	Colour	Order number
10 pcs.	92 mm	*	6-32393-05-0-*
10 pcs.	72 mm	*	on request
10 pcs.	70 mm	*	on request

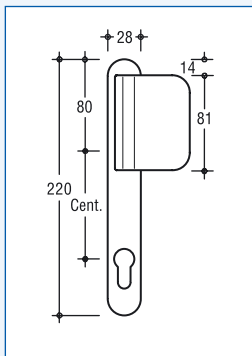


Narrow stile furniture sets for doors

Monobloc MODENA

Single back plate, fixed pull outside
(Figure shows rh variant)

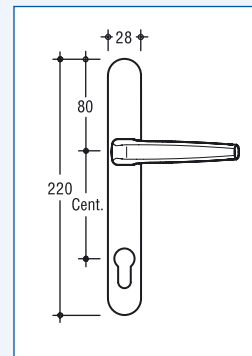
PU	Cent.	Colour	Order number
4 pcs.	92 mm	silver	6-32423-05-L/R-1
4 pcs.	92 mm	brown	6-32423-05-L/R-5
4 pcs.	92 mm	white	6-32423-05-L/R-7
4 pcs.	72 mm	*	6-32423-12-L/R-*
4 pcs.	70 mm	*	6-32423-11-L/R-*



Monobloc MODENA

Single back plate, flat turn handle outside

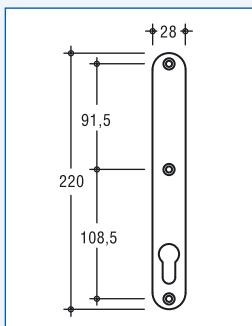
PU	Cent.	Colour	Order number
10 pcs.	92 mm	silver	6-32405-05-0-1
10 pcs.	92 mm	brown	6-32405-05-0-5
10 pcs.	92 mm	white	6-32405-05-0-7
10 pcs.	72 mm	*	6-32405-12-0-*
10 pcs.	70 mm	*	6-32406-11-0-*



Monobloc MODENA

Inside backplate with cylinder bore

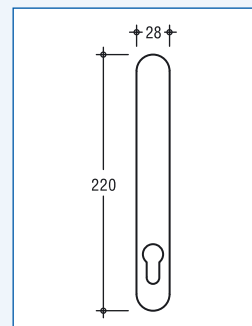
PU	Cent.	Colour	Order number
10 pcs.	92 mm	silver	9-42457-05-0-1
10 pcs.	92 mm	brown	9-42457-05-0-5
10 pcs.	92 mm	white	9-42457-05-0-7
10 pcs.	72 mm	*	9-42457-12-0-*
10 pcs.	70 mm	*	9-42457-11-0-*



Monobloc MODENA

Outside backplate with cylinder bore

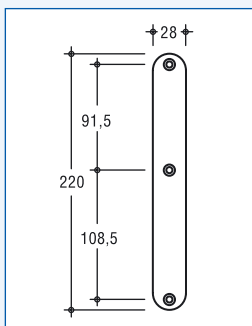
PU	Cent.	Colour	Order number
10 pcs.	92 mm	silver	9-42456-05-0-1
10 pcs.	92 mm	brown	9-42456-05-0-5
10 pcs.	92 mm	white	9-42456-05-0-7
10 pcs.	72 mm	*	9-42456-12-0-*
10 pcs.	70 mm	*	9-42456-11-0-*



Monobloc MODENA

Dummy backplate inside

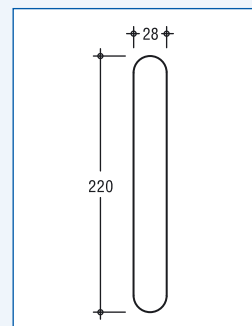
PU	Screws	Colour	Order number
10 pcs.	3 pcs.	silver	9-42457-00-0-1
10 pcs.	3 pcs.	brown	9-42457-00-0-5
10 pcs.	3 pcs.	white	9-42457-00-0-7
10 pcs.	2 pcs.	*	9-42457-10-0-*



Monobloc MODENA

Dummy backplate outside

PU	Screws	Colour	Order number
10 pcs.	3 pcs.	silver	9-42456-00-0-1
10 pcs.	3 pcs.	brown	9-42456-00-0-5
10 pcs.	3 pcs.	white	9-42456-00-0-7
10 pcs.	2 pcs.	*	9-42456-10-0-*



Accessories:

Set of 2 turn handles

PU	Cent.	Colour	Screws	Square	Order number
10 sets	92 mm	silver	3 pcs.	8 x 130	K-15203-00-0-1
10 sets	92 mm	brown	3 pcs.	8 x 130	K-15203-00-0-5
10 sets	92 mm	white	3 pcs.	8 x 130	K-15203-00-0-7
10 sets	72 mm	*	2 pcs.	8 x 130	K-15203-02-0-*
10 sets	70 mm	*	2 pcs.	7 x 130	K-15929-13-0-*

Accessories: Set of turn handle/fixed pull alternatively turn handle/dummy

PU	Cent.	Colour	Screws	Square	Order number
10 sets	92 mm	silver	3 pcs.	8 x 100	K-15203-05-0-1
10 sets	92 mm	brown	3 pcs.	8 x 100	K-15203-05-0-5
10 sets	92 mm	white	3 pcs.	8 x 100	K-15203-05-0-7
10 sets	72 mm	*	2 pcs.	8 x 100	K-15203-04-0-*
10 sets	70 mm	*	2 pcs.	7 x 100	K-15929-10-0-*

Monobloc accessories are suitable for door leaf thicknesses from 54 to 84 mm

Square spindle 7 or 8 mm, length 130 mm

Phillips screw M 5, length 90 mm

Turn handles for windows

The range of window handles is rounded off by the modernly designed SOPRANO model. The handle is ergonomically shaped and captures by its simple elegance.

Variants : interior handles of aluminium for timber, PVC and aluminium windows and patio doors.

Standard variants

Description	Variant	Order no.
SOPRANO-F	inside	U-71984-* *-0-*
SOPRANO-F/Z	inside, with locking cylinder	U-71987-* *-0-*

Special variant

Description	Variant	Order no.
SOPRANO-F/SP	interior, with 45° detent	U-71970-* *-0-*

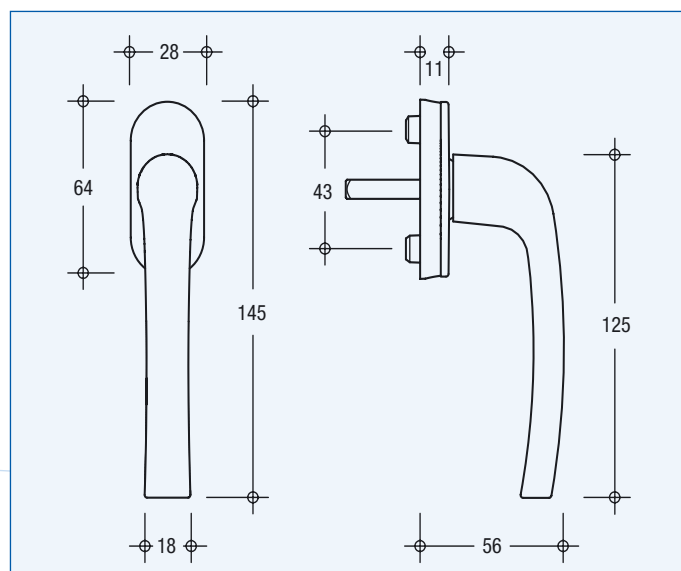
Colours: silver, brown (RAL 8022 matt), white (RAL 9016)

Order references: * = finish, ** = spindle length

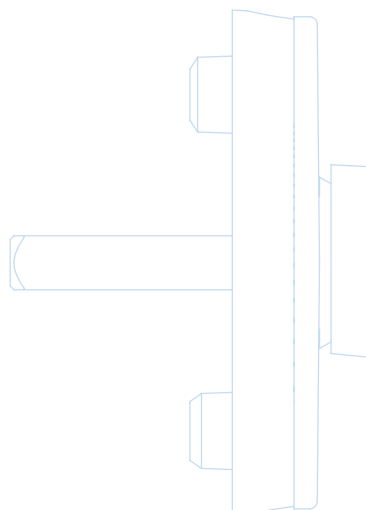
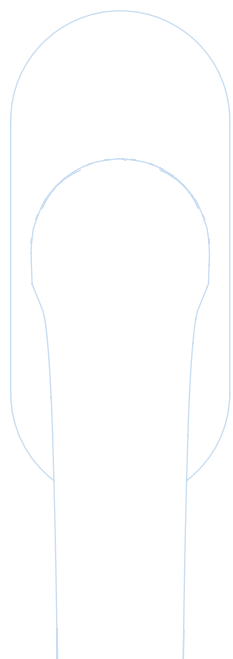


Technical data

Inside rosette	28 x 64 mm
Detent	90°; 90° and 45° F/SP
Positioning plugs	Ø 10 mm
Length of pos. plugs	5 mm
Square spindle	fixed, 7 x 29, 7 x 33 or 7 x 38 mm
Differ	F/Z keyed alike
Rosette cover	turnable
Fixings	concealed



SOPRANO-F, SOPRANO-F/SP

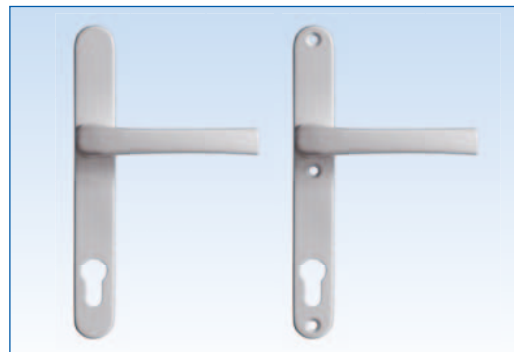


Narrow stile furniture sets for doors

SOPRANO-T – Backplate outside and inside, fixed backplate with friction washer

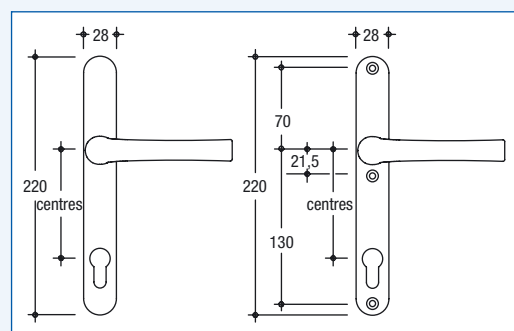
Backplate height	220 mm
Backplate width	28 mm
Backplate thickness	8 mm
Centres	85 and 92 mm
Square spindle	8 mm
No. of screws	2 (for 85 mm centres) 3 (for 92 mm centres)

Rounded backplate
Colour: silver, brown (RAL 8022 matt), white (RAL 9016)



Monobloc SOPRANO
Turn handle inside and outside, inclusive fastening screws and square spindle

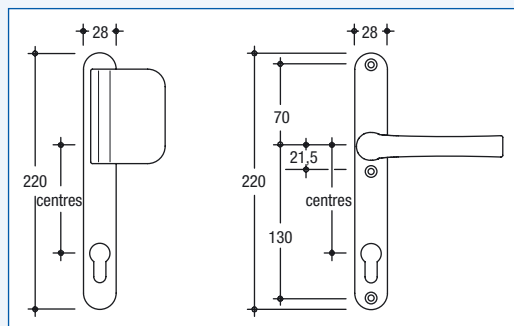
Monobloc SOPRANO			
PU	Cent.	Colour	Order number
25 sets	85 mm	silver	U-71962-13-0-1
25 sets	85 mm	brown	U-71962-13-0-5
25 sets	85 mm	white	U-71962-13-0-7
25 sets	92 mm	silver	U-71962-05-0-1
25 sets	92 mm	brown	U-71962-05-0-5
25 sets	92 mm	white	U-71962-05-0-7



Monobloc SOPRANO
Turn handle inside, fixed pull outside, inclusive fastening screws and square spindle

Monobloc SOPRANO			
PU	Cent.	Colour	Order number
25 sets	92 mm	silver	U-71960-05-L/R-1
25 sets	92 mm	brown	U-71960-05-L/R-5
25 sets	92 mm	white	U-71960-05-L/R-7

(Figure shows rh variant)



Suitable for door leaf thicknesses from 54 to 84 mm
Square spindle 8 mm, length 130 mm
Phillips screw M 5, length 90 mm

Turn handles for windows

A straight line but still soft design feature the window handles SAN REMO – they easily fit in the hand and provide comfortable operation.

The programme comprises inside handles made from aluminium for timber, PVC and aluminium windows and balcony doors.

Standard types

Description	Variant	Order number
SAN REMO-F	inside	G-21608-**-0-*
SAN REMO-F/Z	inside, with locking cylinder	G-21609-**-0-*

Sonderausführungen

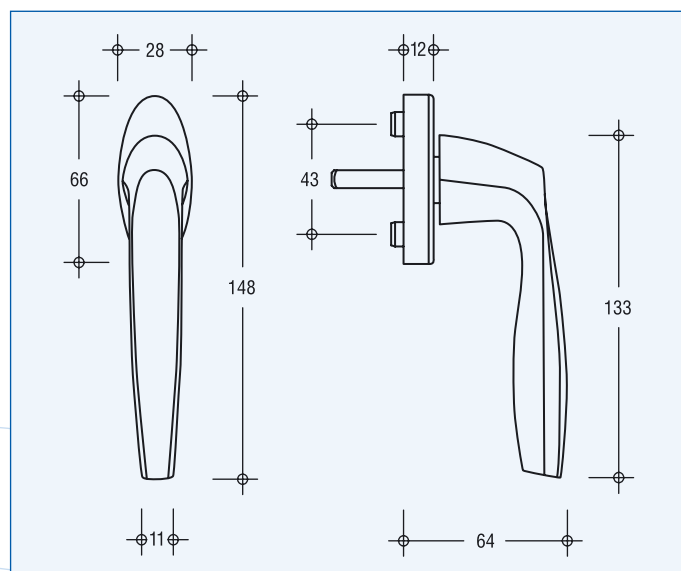
Description	Variant	Order number
SAN REMO-F/SP	inside, 45° detent	6-32363-**-0-*

* Spindle length and colours see page 3

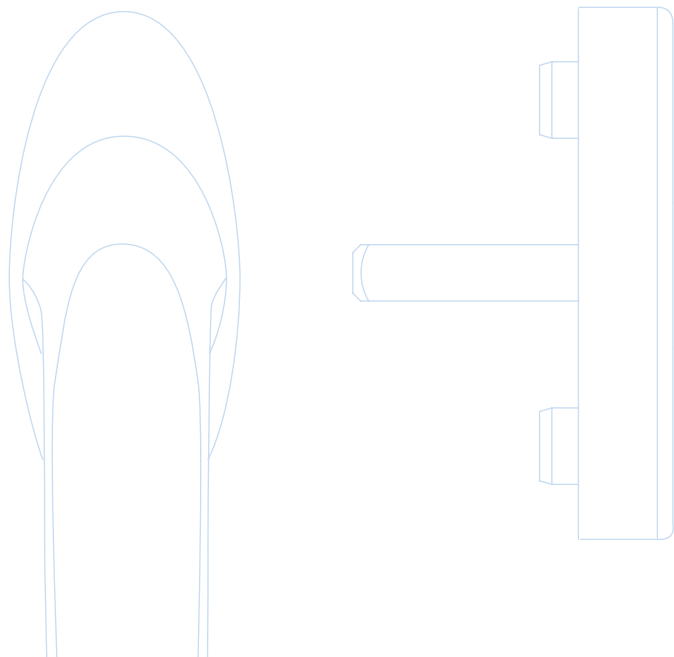


Technical data

Inside rosette	28 x 66 mm
Detent	90° or 90° and 45° F/SP
Positioning plugs	Ø 10 mm
Length of pos. plugs	5 mm
Square spindle	fixed, 7 x 29, 7 x 33 or 7 x 38 mm
Differ	F/Z keyed alike
Rosette cover	turnable
Fixing	concealed



SAN REMO-F, SAN REMO-F/SP



Face fixed window lock

Upgradable security for tilt-turn and side hung windows

The easily mounted locking device is an efficient protection against burglary. Even if the window is broken or the frame drilled, it is impossible to turn the locked handle to open the sash from outside. The metal deadbolt throws into the rugged keeper (throw of 18 mm), thus preventing the sash from being lifted and forced open. The combination of lockable turn handle and face fixed lock offers high resistance against burglars.

In addition to the central locking mechanism of the window, the face fixed lock provides an extra locking point. The device can be retrofitted on tilt-turn and side hung windows with 15 mm backset gear. The adaptation to various overlap thicknesses is achieved with packers.

The mounting is simple: the face fixed lock is fastened to the sash with screws right underneath the handle, the keeper is positioned on the frame accordingly and fixed with screws. Instructions are supplied with the product.

Lateral space requirement

- Timber windows with 4 mm rebate clearance: 26 mm
- Timber windows with Euro rebate: 23 mm
- PVC windows with 20 and 22 mm overlap width: 22 mm



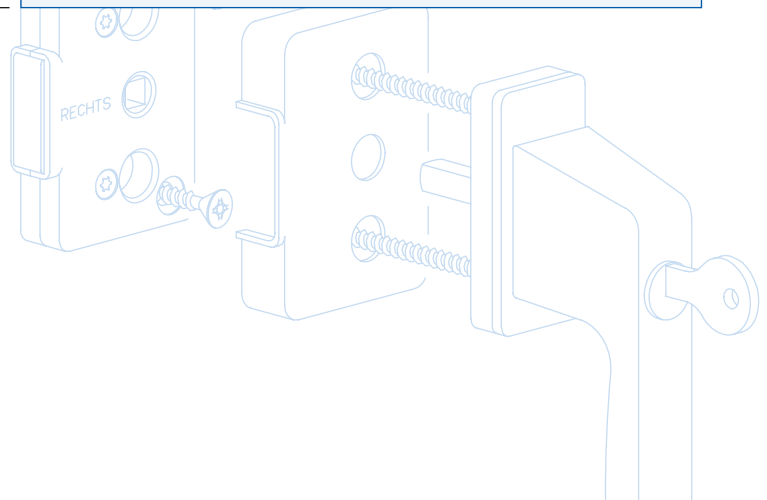
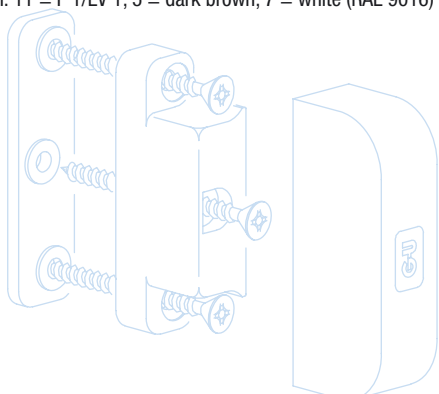
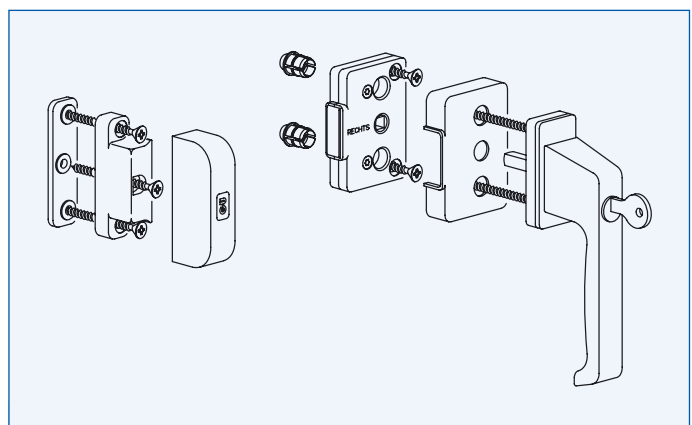
Execution

Description	Variant	Order number
Box Face fixed window lock	with turn handle DIRIGENT F/Z	K-14662-00-0*

Contents of box:

- Turn handle DIRIGENT F/Z, lockable
- Spindle 7 x 75 mm
- Face fixed lock
- Cover for face fixed lock
- Sleeve for Ø 10 mm and 12 mm (2 pcs. each)
- Strike box
- Cover for strike box
- Packers 3 mm, 4 mm, 5 mm, 6 mm (1 piece each)
- Spax countersunk screw 5 x 55 mm (7 pcs.)

* Finish: 11 = F 1/EV 1, 5 = dark brown, 7 = white (RAL 9016)

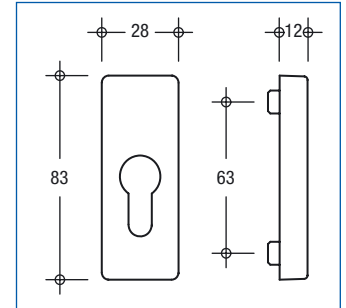


Rosettes and spindles for windows and patio doors

Rosette PZ, Rosette RZ (Swiss round cylinder)

inside, with cylinder bore and Ø 10 mm positioning plugs

PU	Description	Order number
20 pcs.	Rosette PZ, square	K-17205-02-0-*
20 pcs.	Rosette PZ, oval	K-17204-02-0-*
20 pcs.	Rosette RZ, square	K-17205-03-0-*
20 pcs.	Rosette RZ, oval	K-17204-03-0-*

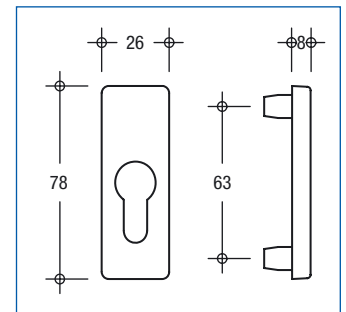
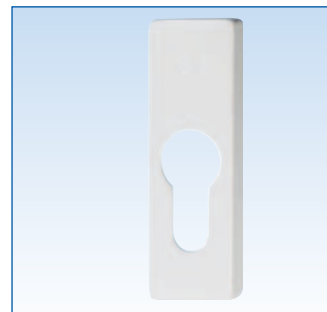


Rosette PZ, square

Rosette PZ/A, Rosette RZ/A (Swiss round cylinder)

outside, with cylinder bore and Ø 10 mm positioning plugs

PU	Description	Order number
20 pcs.	Rosette PZ/A, square	9-43605-02-0-*
20 pcs.	Rosette PZ/A, oval	9-43582-02-0-*
20 pcs.	Rosette RZ/A, square	9-43605-03-0-*
20 pcs.	Rosette RZ/A, oval	9-43582-03-0-*

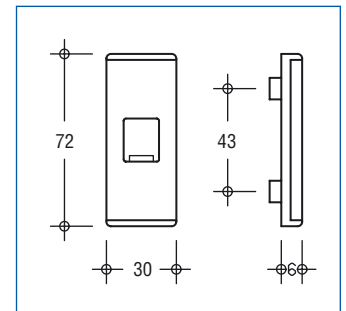


Rosette PZ, square

Removable rosette F

inside – flat, with slide shutter for removable handle

PU	Description	Order number
20 pcs.	Removable rosette F	6-24913-00-0-*



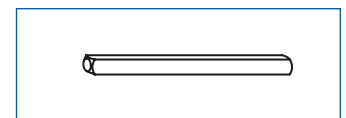
Adapter sleeve

to extend the positioning plug Ø from 10 to 12 mm

Description	Order number
Adapter sleeve	9-40496-00-0-0

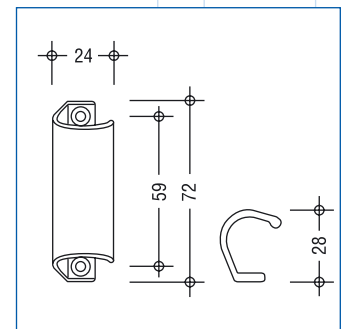
Square spindles 7 mm

PU	Spindle length	Sash thickness	Order number
20 pcs.	70 mm		9-26874-16-0-1
20 pcs.	118 mm	56 – 68 mm	9-26874-56-0-1
100 pcs.	131 mm	69 – 80 mm	9-26874-69-0-1
20 pcs.	143 mm	81 – 92 mm	9-26874-81-0-1



Fixed pull

PU	Description	Order number
50 pcs.	Fixed pull	9-22921-00-0-*



Countersunk screw M5 for turn handle fastening

PU	Count. screw	Inside operation, for spindle length	Order number
400 pcs.	M5 x 40	29 and 33 mm	9-13255-40
1 pc.	M5 x 50	38 mm	9-13255-50
Operation on both sides for sash thickness			
400 pcs.	M5 x 60	50 – 54 mm	9-13255-60
400 pcs.	M5 x 65	55 – 59 mm	9-13255-65
400 pcs.	M5 x 70	60 – 64 mm	9-13255-70
400 pcs.	M5 x 75	65 – 69 mm	9-13255-75
400 pcs.	M5 x 80	70 – 74 mm	9-13255-80
400 pcs.	M5 x 85	75 – 80 mm	9-13255-85

