



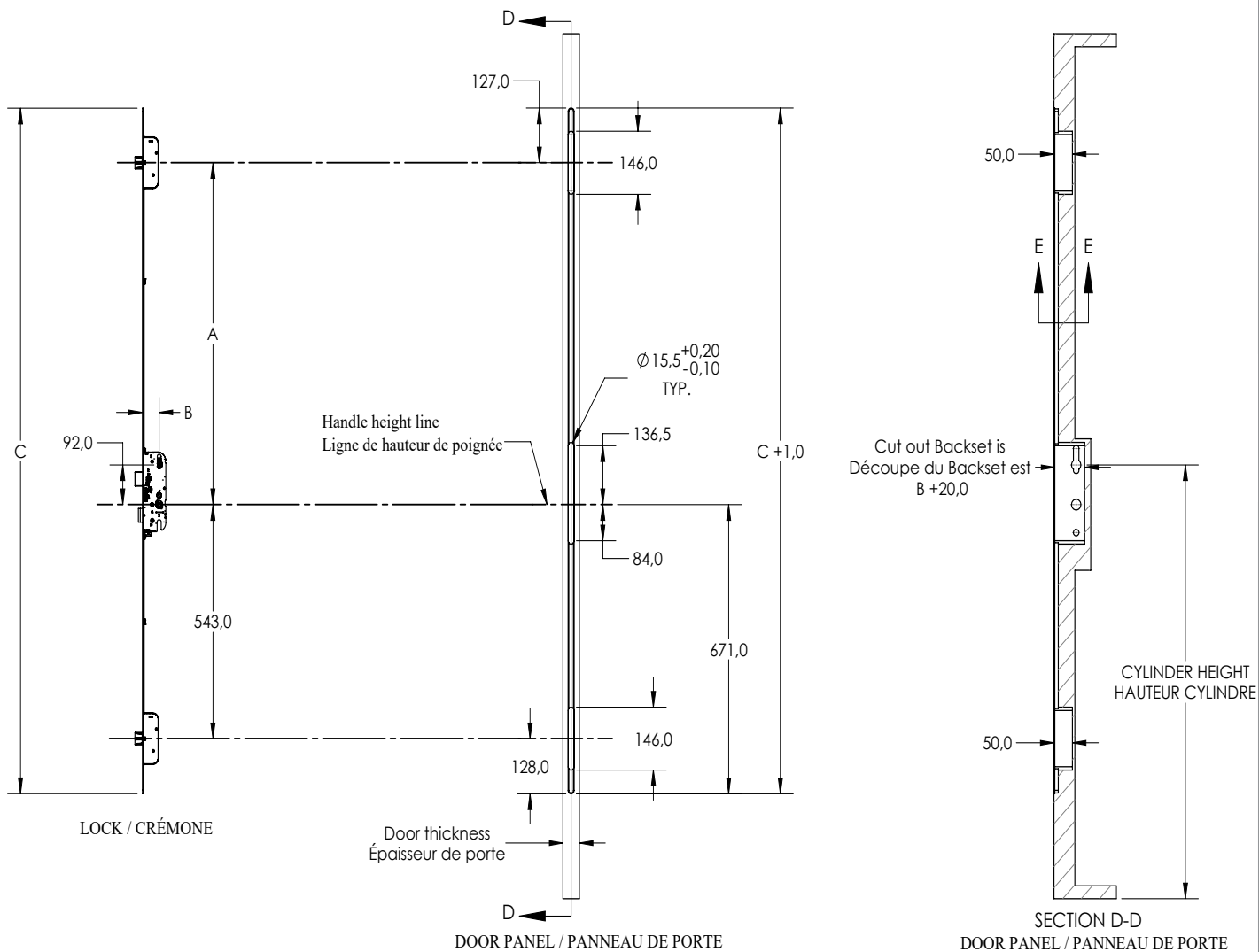
03T.2

SECURY AUTOMATIC DOOR LOCK & LEVER HANDLE

SECURY Automatic Door Lock Lever Cutout.....	03T.2.2
SECURY Automatic Door Lock Extension Cutout.....	03T.2.3
Reverse Latches & Connect Automatic Extension.....	03T.2.4
Keepers	03T.2.5
Solid Brass Handle Set Dimensions with 30mm Plate	03T.2.8
Zamac Handle Set Dimensions with 30mm Plate	03T.2.9
Solid Brass / Zamac Handle Set Dimensions with 45mm Plate.....	03T.2.10
Solid Brass / Zamac Handle Set Dimensions with 55mm Plate.....	03T.2.11
Lever Handle Set Cutout (Handle Below).....	03T.2.12
Weather Proof Gasket For Handle Set Program - 45mm Plates.....	03T.2.13
Active Gasket Installation - 55mm Plates.....	03T.2.14
Inactive Gasket Installation - 55mm Plates.....	03T.2.15
Dummy Plates kit Instructions - 55mm & 65mm Plates.....	03T.2.16
BELCANTO Handles & US Rosettes.....	03T.2.17
BELCANTO Handles & US Rosettes Cutout.....	03T.2.18
US Rosettes Installation Instructions.....	03T.2.19
Viking/Romance Handle Set.....	03T.2.20
Viking/Romance Handle Set Cutout CNC Version	03T.2.22
Accessories	03T.2.23
Installation Guide for Active Handle Trim Kit.....	03T.2.24

Door Multi-point Locking System

SECURY Automatic Door Lock for Lever Handle

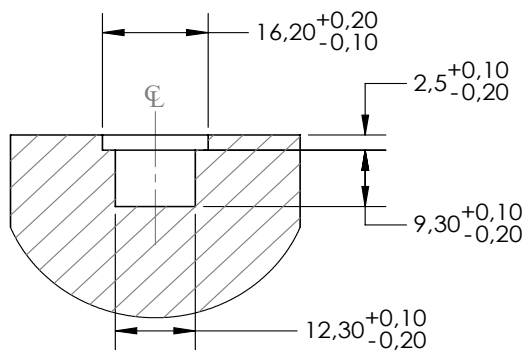


Reference number	B	A	C
6-35856-01-R-8B	45 mm	792 mm	1590 mm
6-35856-02-R-8B	45 mm	1102 mm	1900 mm
6-36033-01-R-8B	50 mm	792 mm	1590 mm
6-36033-02-R-8B	50 mm	1102 mm	1900 mm
6-35565-01-R-8B	60 mm	792 mm	1590 mm
6-35565-02-R-8B	60 mm	1102 mm	1900 mm
6-35565-05-R-8B	70 mm	792 mm	1590 mm
6-35565-06-R-8B	70 mm	1102 mm	1900 mm

Notes:

When using lever handle operation, please check handle height first
 All dimensions must be verified on a prototype before production
 Observe the proper slab to jamb clearance of 3-4mm

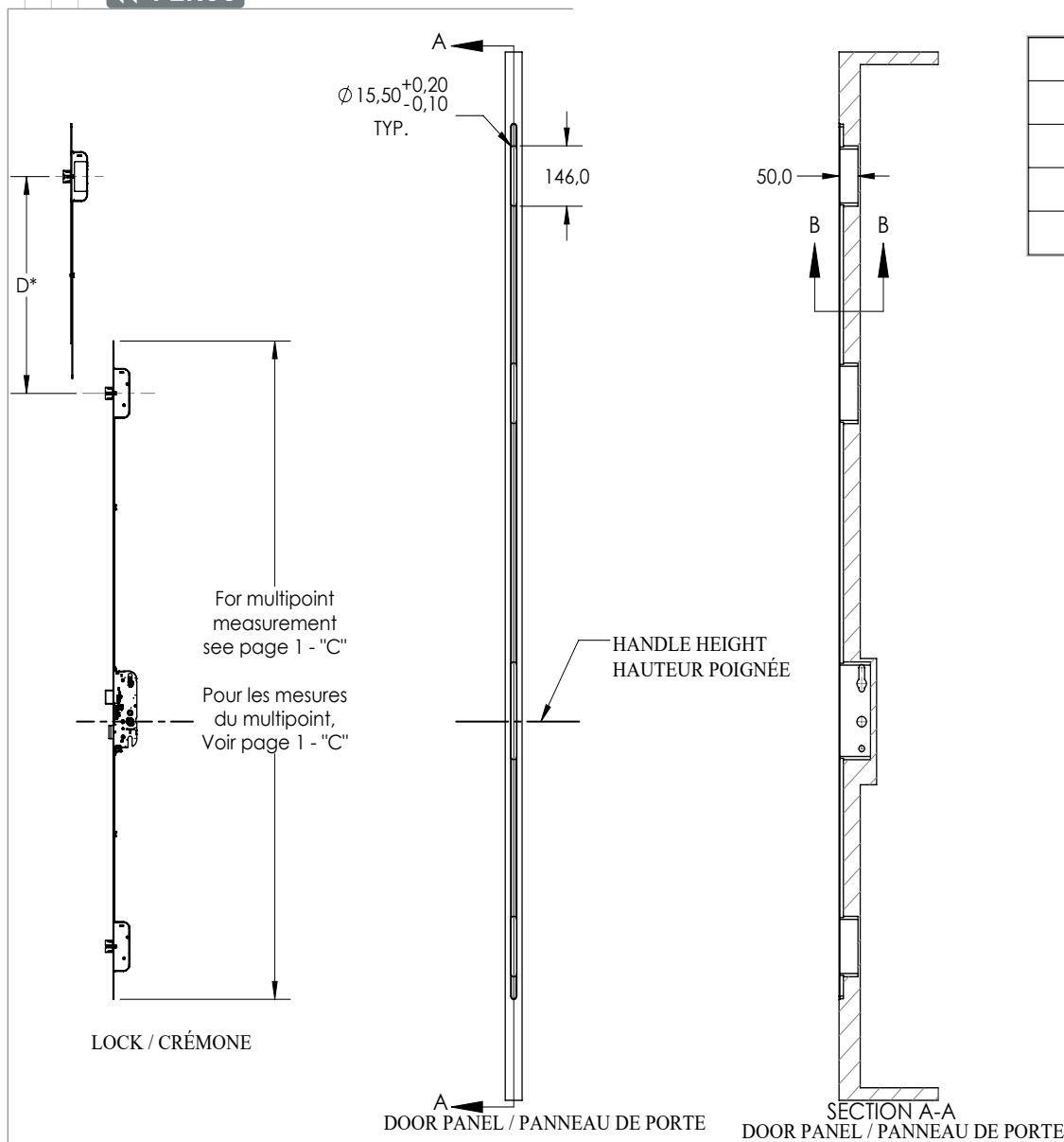
Veuillez d'abord vérifier la hauteur de la poignée avant d'utiliser la poignée à levier.
 Toutes les dimensions doivent être vérifiées sur un prototype avant production
 Respectez 3 à 4 mm de dégagement entre la porte et le montant de porte



SECTION E-E

Door Multi-point Locking System

Extensions for SECURY Automatic Door Lock



03T
2

Notes:

All dimensions must be verified on a prototype before production

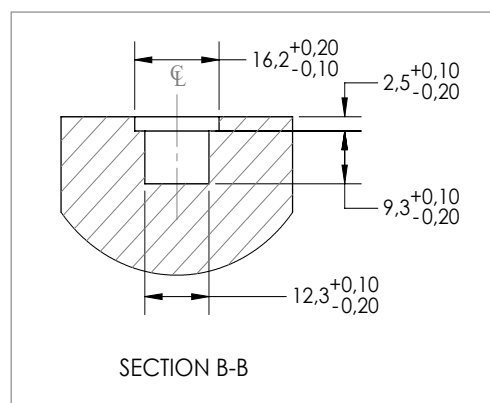
Observe the proper slab to jamb clearance of 3-4mm

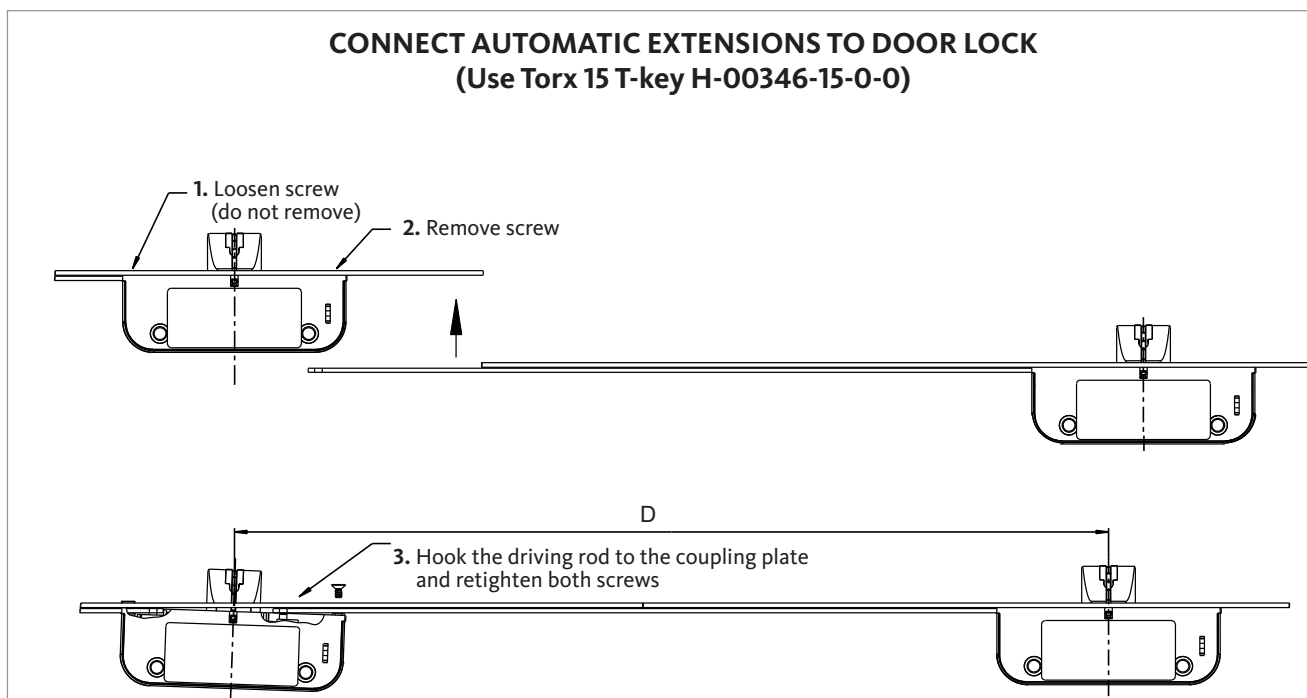
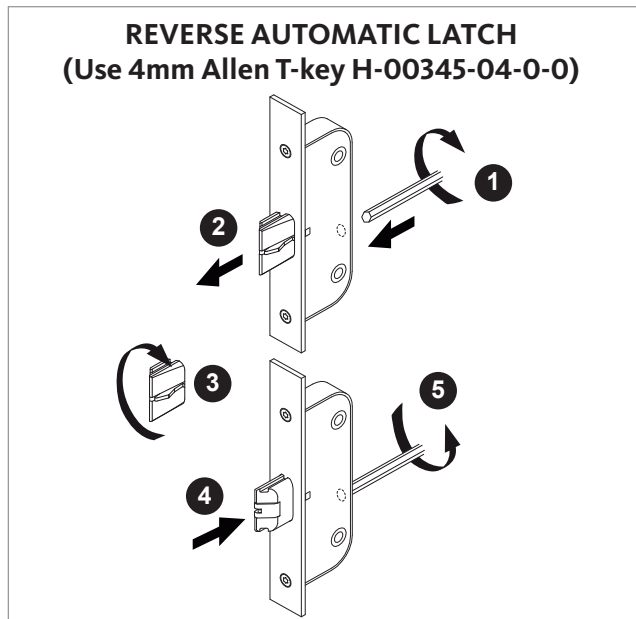
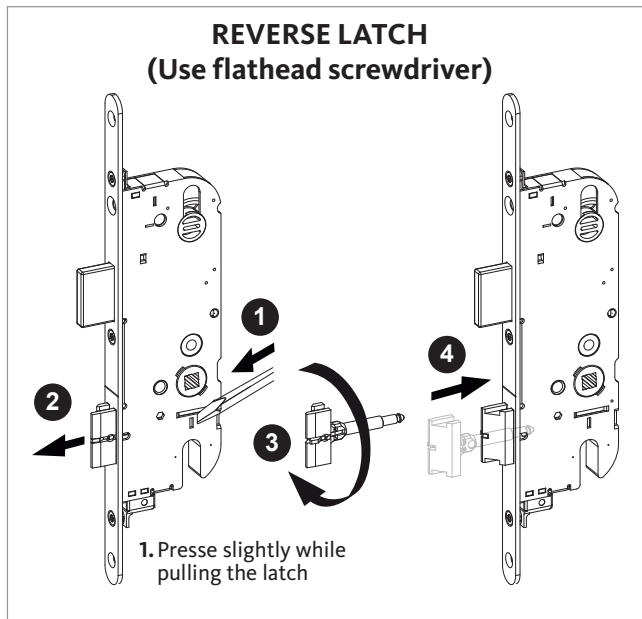
* Optional up to 2 extensions

Toutes les dimensions doivent être vérifiées sur un prototype avant production

Respectez 3 à 4 mm de dégagement entre la porte et le montant de porte

* Optionel jusqu'à 2 extensions

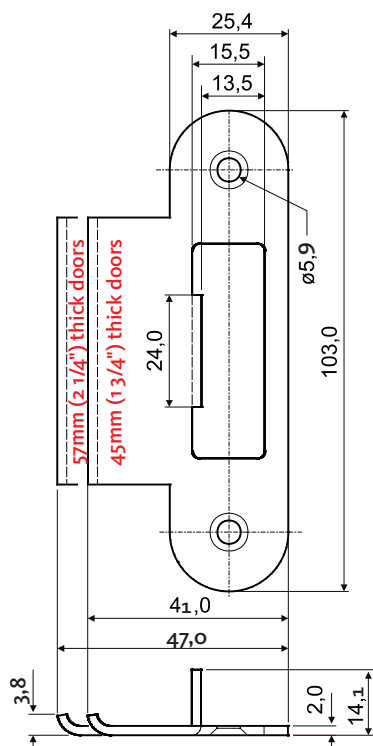






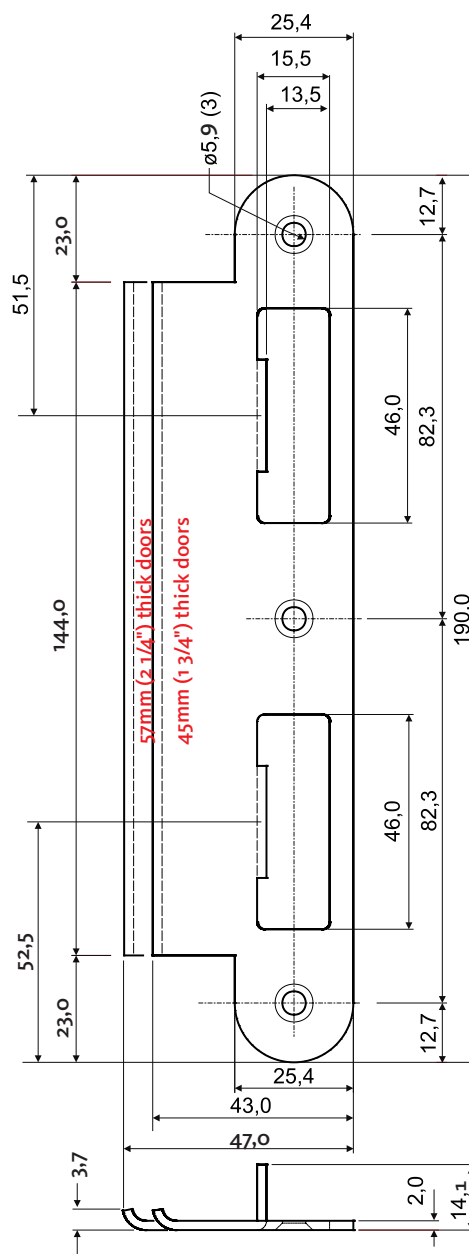
Top & Bottom Keeper

Description	Part Number
Keeper for 45mm (1 3/4") thick doors	9-C4776-45-0-*
Keeper for 57mm (2 1/4") thick doors	9-C4776-57-0-*



Middle Keeper

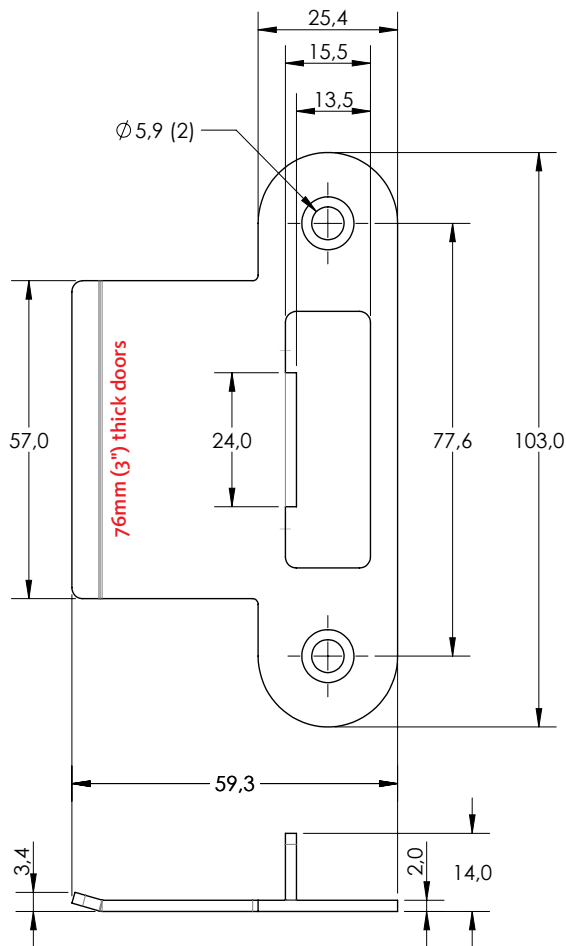
Description	Part Number
Keeper for 45mm (1 3/4") thick doors	9-C4777-45-0-*
Keeper for 57mm (2 1/4") thick doors	9-C4777-57-0-*





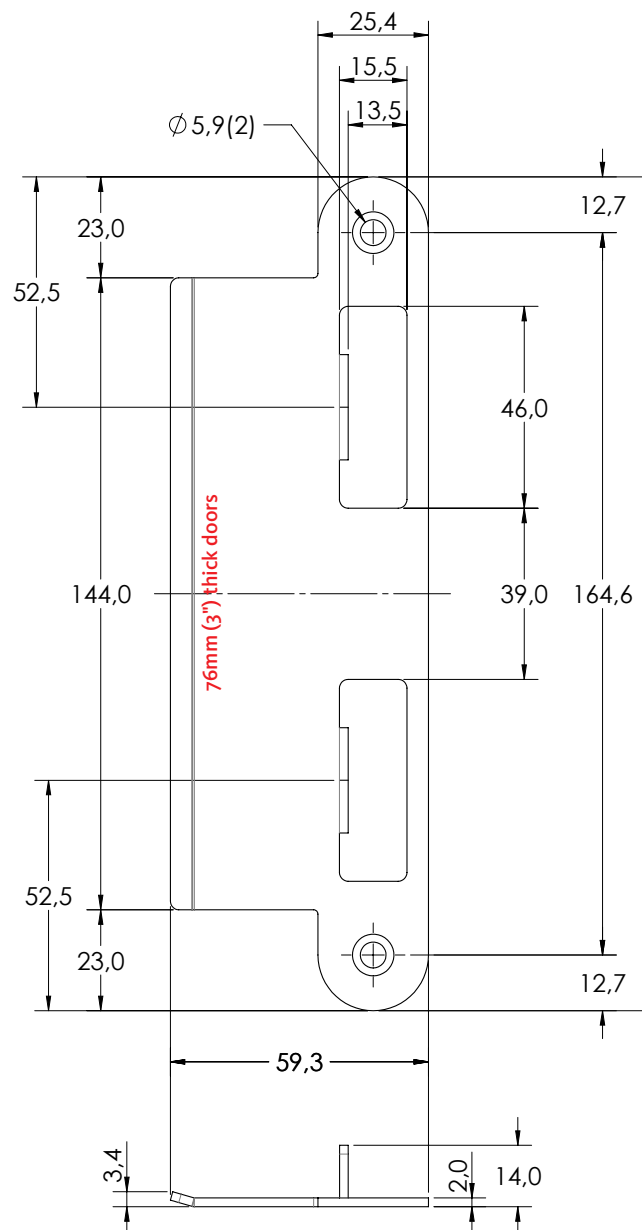
Top & Bottom Keeper

Description	Part Number
Keeper for 76mm (3") thick doors	9-C4716-59-0-8B



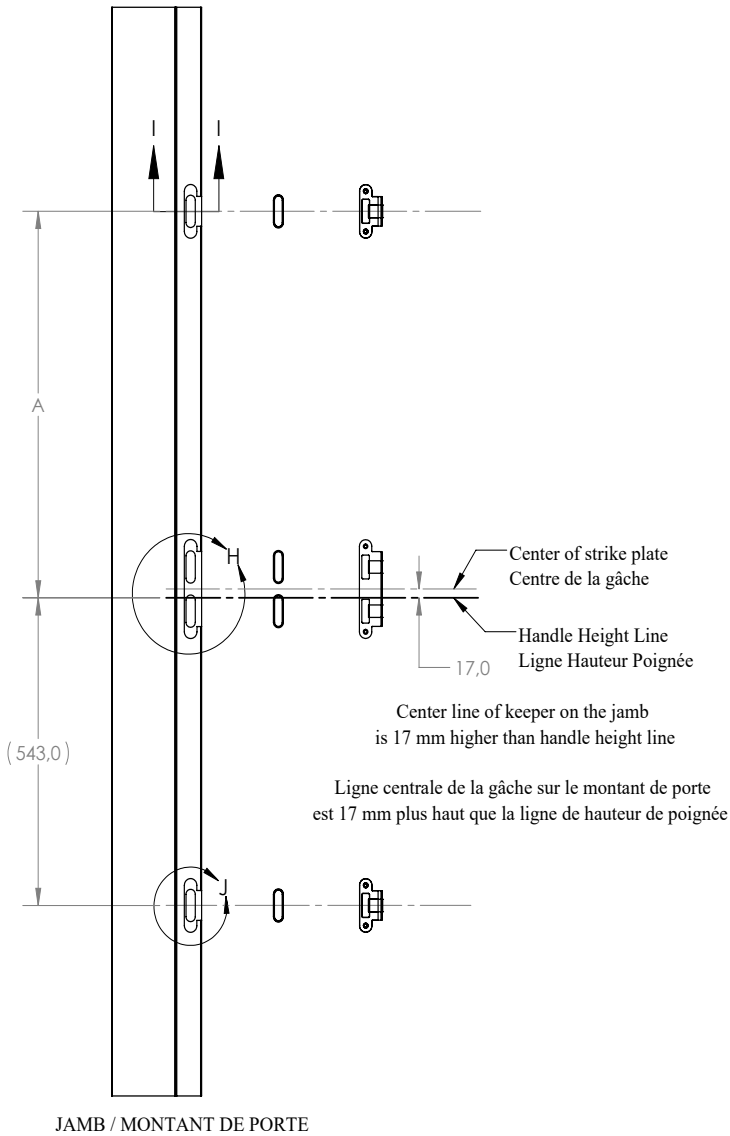
Middle Keeper

Description	Part Number
Keeper for 76mm (3") thick doors	9-C4717-59-0-8B

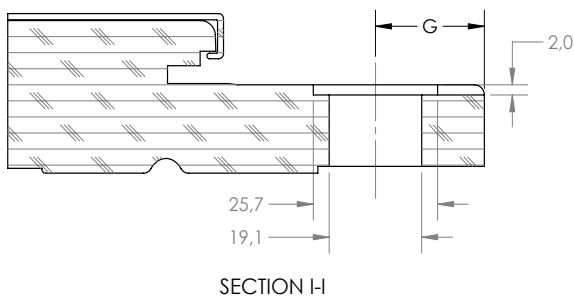
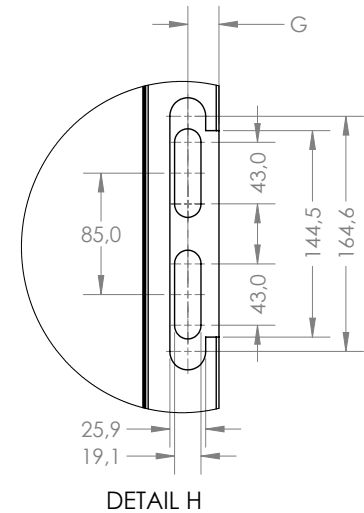
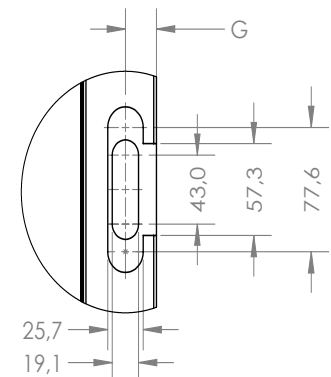


Door Multi-point Locking System

Keepers



Door Thickness	G
1 3/4"	22.5 mm
2 1/4"	28.5 mm
3"	38.0 mm



Note:

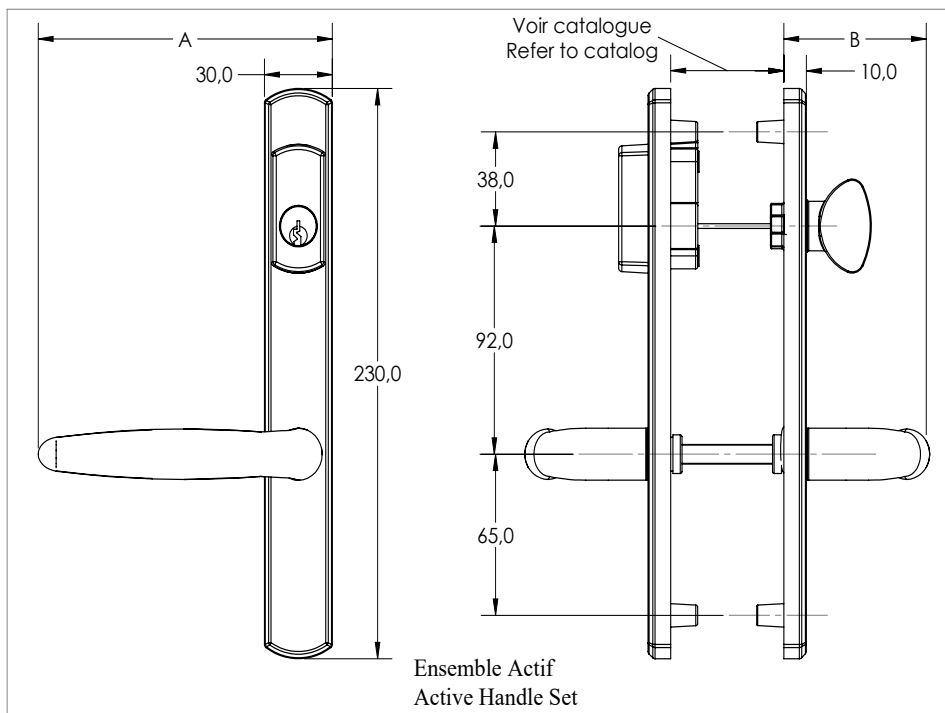
Center line of door lock will position itself with the center line of the strike plate measurement - G
Keepers' position must be as specified, otherwise it could alter the locking
Latches should engage in the keepers without friction

La ligne centrale de la serrure de porte se positionnera avec la ligne centrale de la gâche - G
La position des gâches doit être telle que spécifiée, sinon elle pourrait modifier le verrouillage
Les pènes doivent s'engager dans les gâches sans friction

03T
2

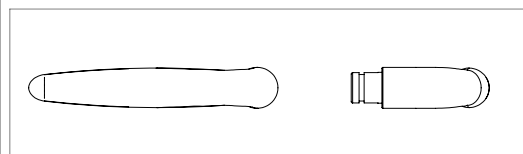
Door Multi-point Locking System

Handle Set Dimensions for Handles & 30mm Brass Plate Series

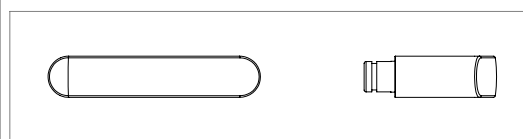


	Torino	Allegro	Venise
A	130.0mm	111.3 mm	125.2 mm
B	63.0mm	63.5 mm	61.0mm

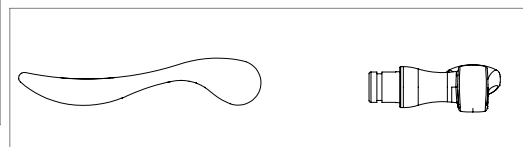
Torino



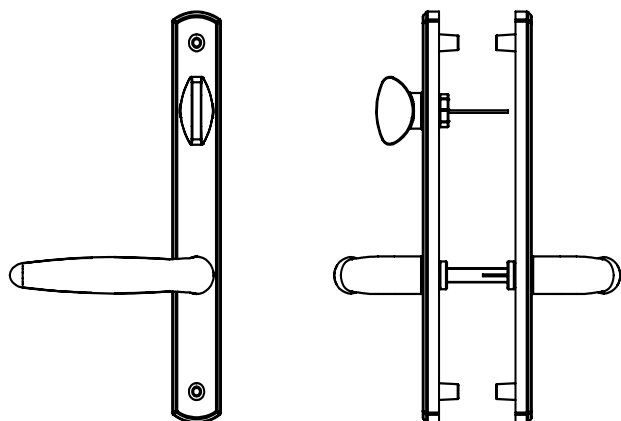
Allegro



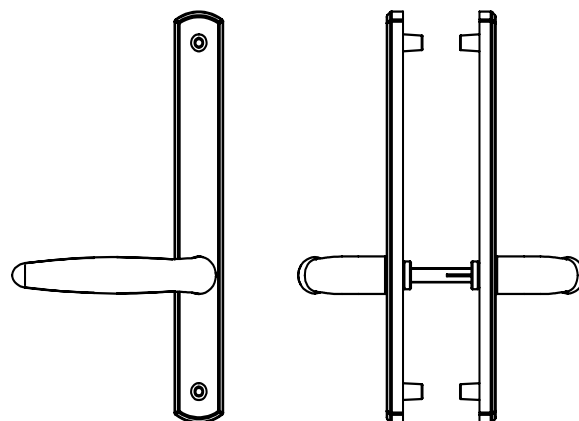
Venise



Ensemble semi-Actif
Semi-active Handle Set

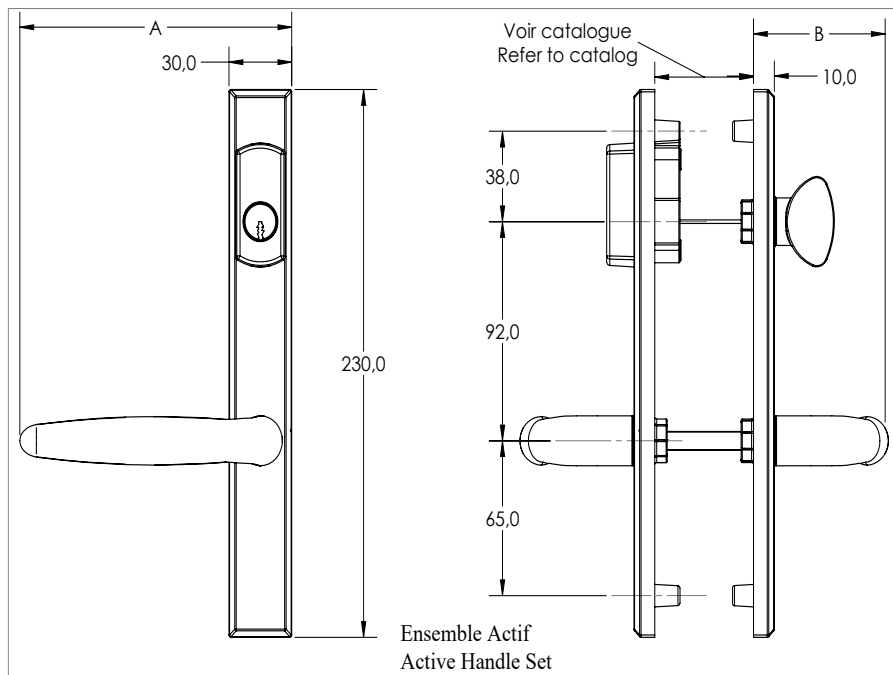


Ensemble Inactif
Inactive Handle Set



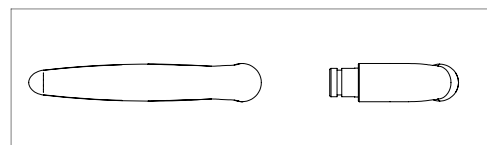
Door Multi-point Locking System

Handle Set Dimensions for Handles & 30mm Zamac Plate Series

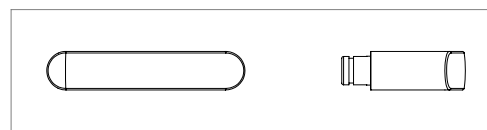


	Torino	Allegro	Venise
A	130.0mm	111.3 mm	125.2 mm
B	63.0mm	63.5 mm	61.0mm

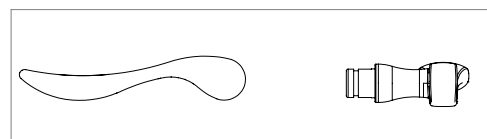
Torino



Allegro

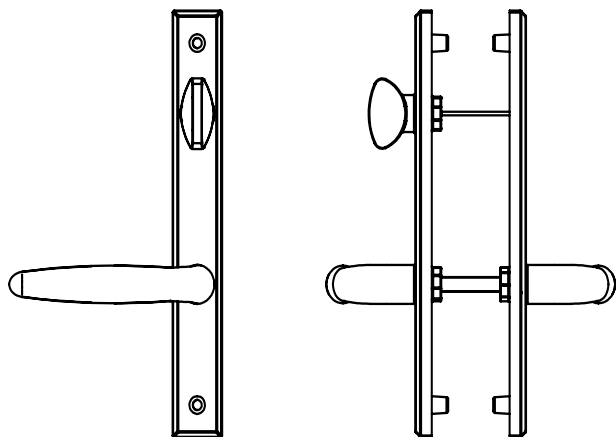


Venise

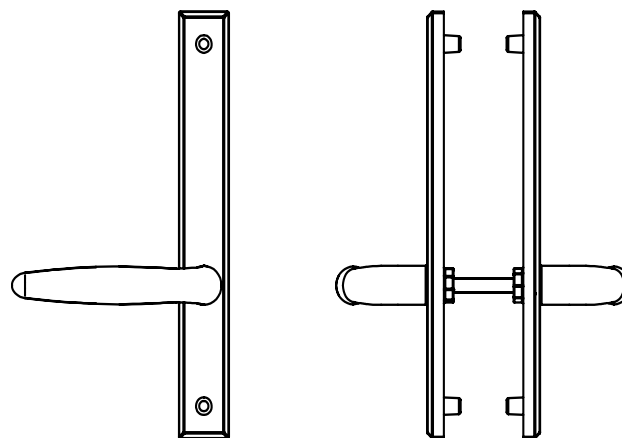


03T
2

Ensemble semi-Actif
Semi-Active Handle Set

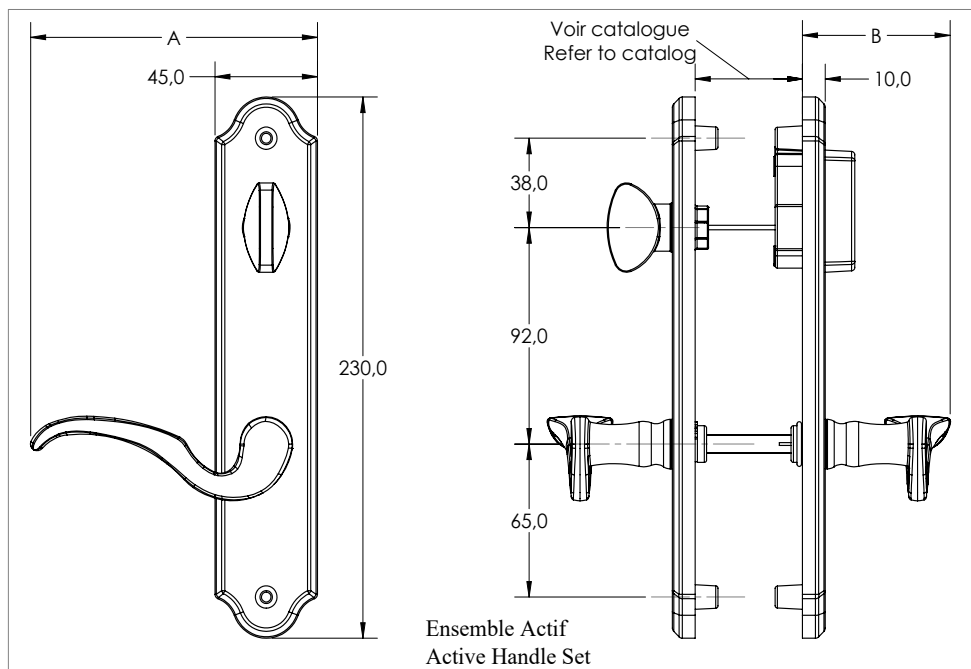


Ensemble Inactif
Inactive Handle Set



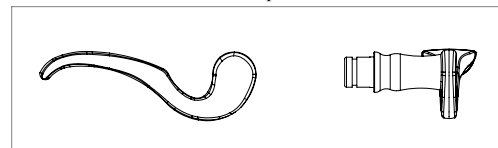
Door Multi-point Locking System

Handle Set Dimensions for Handle & 45mm Plate Series

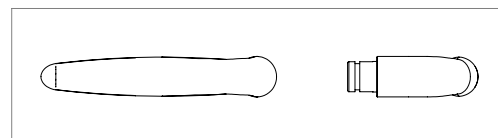


	Capri	Torino	Venise
A	126,0 mm	137,5 mm	132,9 mm
B	64,9 mm	64,0 mm	61,1 mm

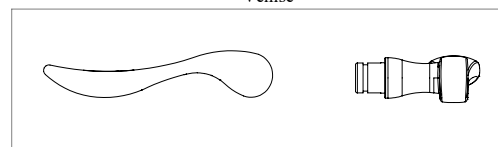
Capri



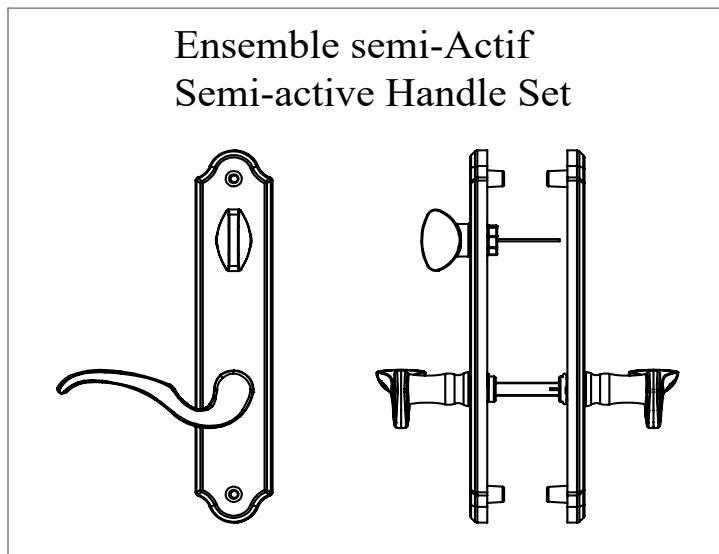
Torino



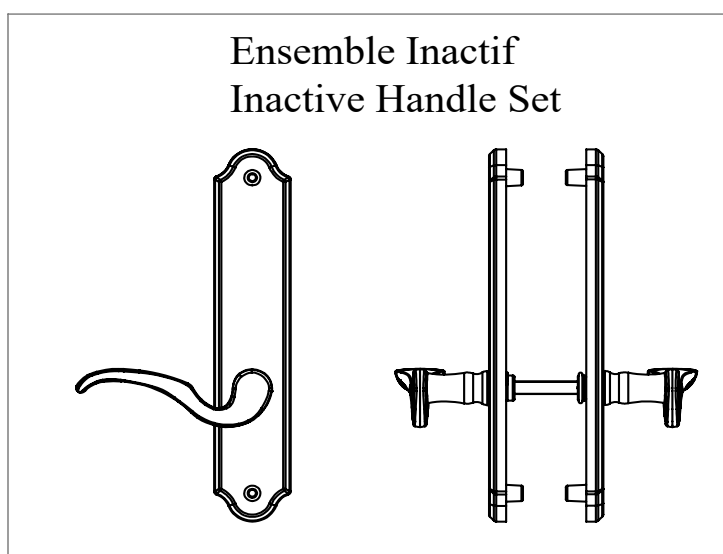
Venise



Ensemble semi-Actif
Semi-active Handle Set

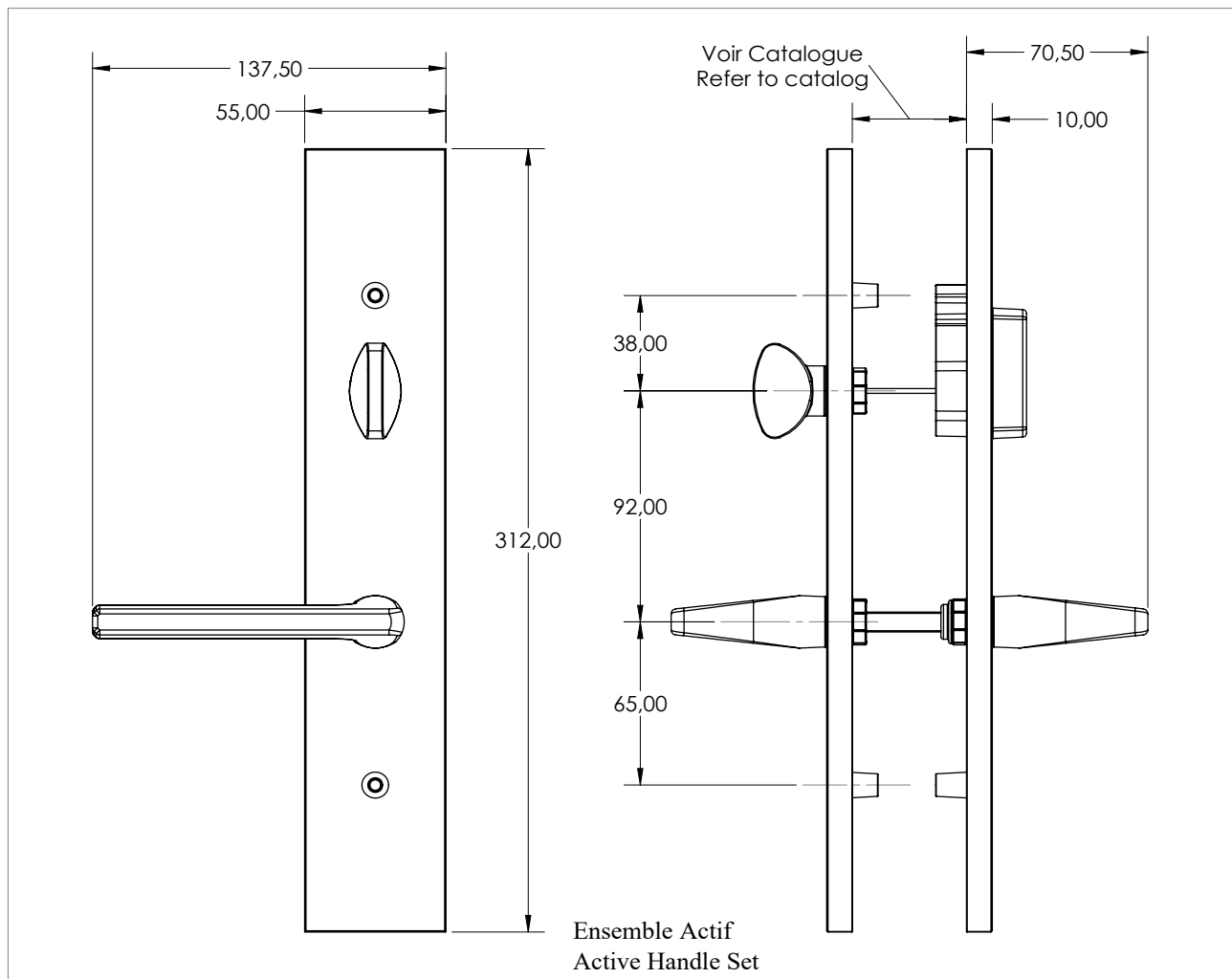


Ensemble Inactif
Inactive Handle Set

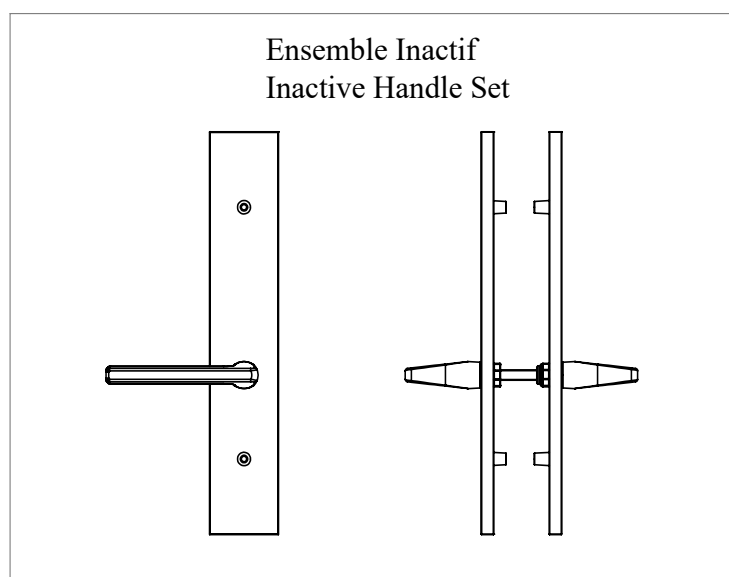
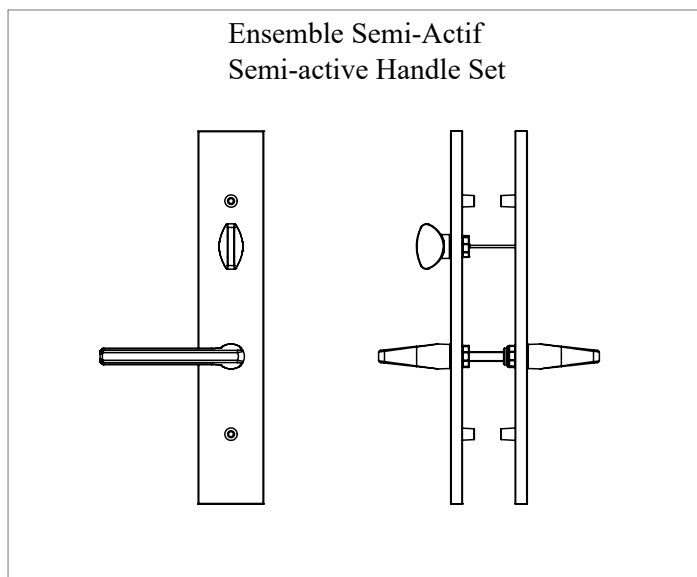


Door Multi-point Locking System

Handle Set Dimensions for Roma Handle & 55mm Plate Series



03T
2



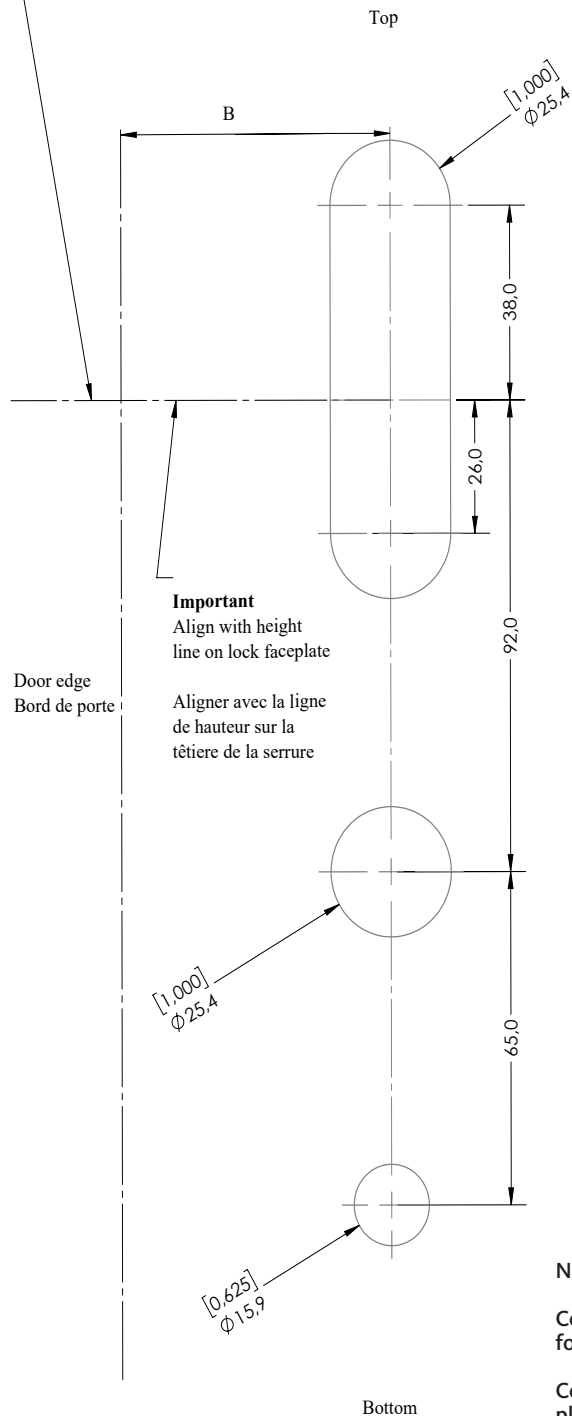
Door Multi-point Locking System

Lever Handle Set Cutout



Handle height is set as per handle height line on lock faceplate as measured from bottom of door

La hauteur de la poignée est définie selon la ligne de hauteur de la poignée sur la tête de la serrure, mesurée à partir du bas de la porte



Notes:

Compatible with weather proof gaskets for 45mm and 55mm plates

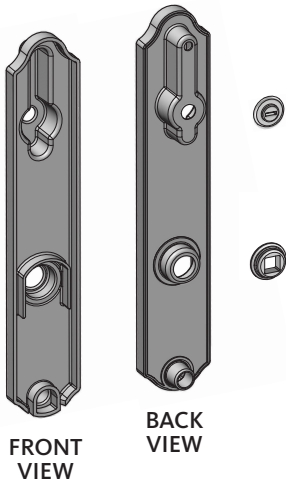
Compatible avec les joints étanches pour plaques de 45 mm et 55 mm

Door Multi-point Locking System

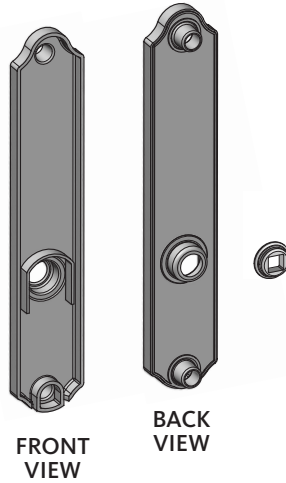
Weather Proof Gasket For Handle Set Program -45mm Plates



6-C0825-00-0-6
(for active set)



6-C0826-00-0-6
(for dummy set)



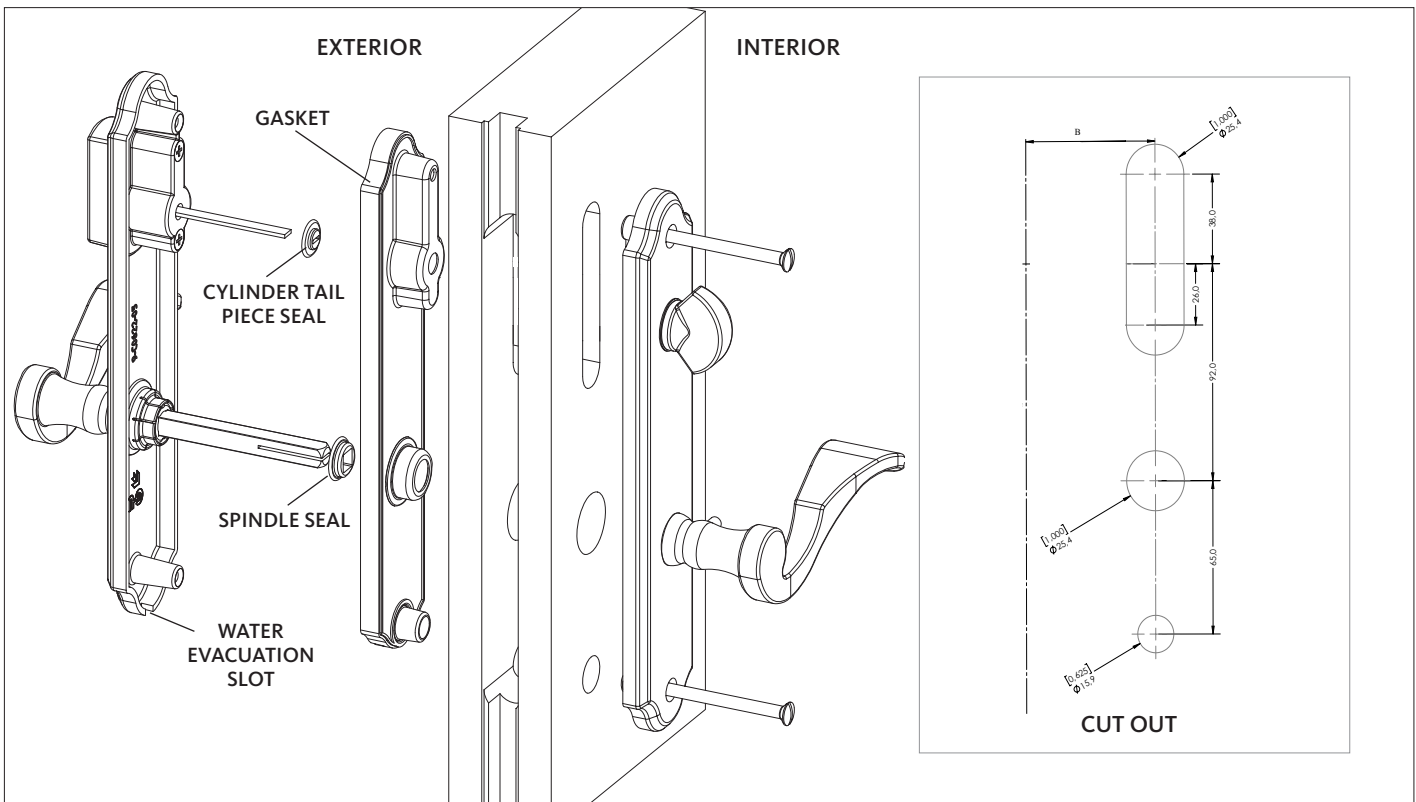
Additional information

Made of neoprene
Achieved DP 100 (15psf/ 2,9in/water, 720pa)
for water infiltration resistance
Installs in proposed cut out shown below

Information supplémentaire

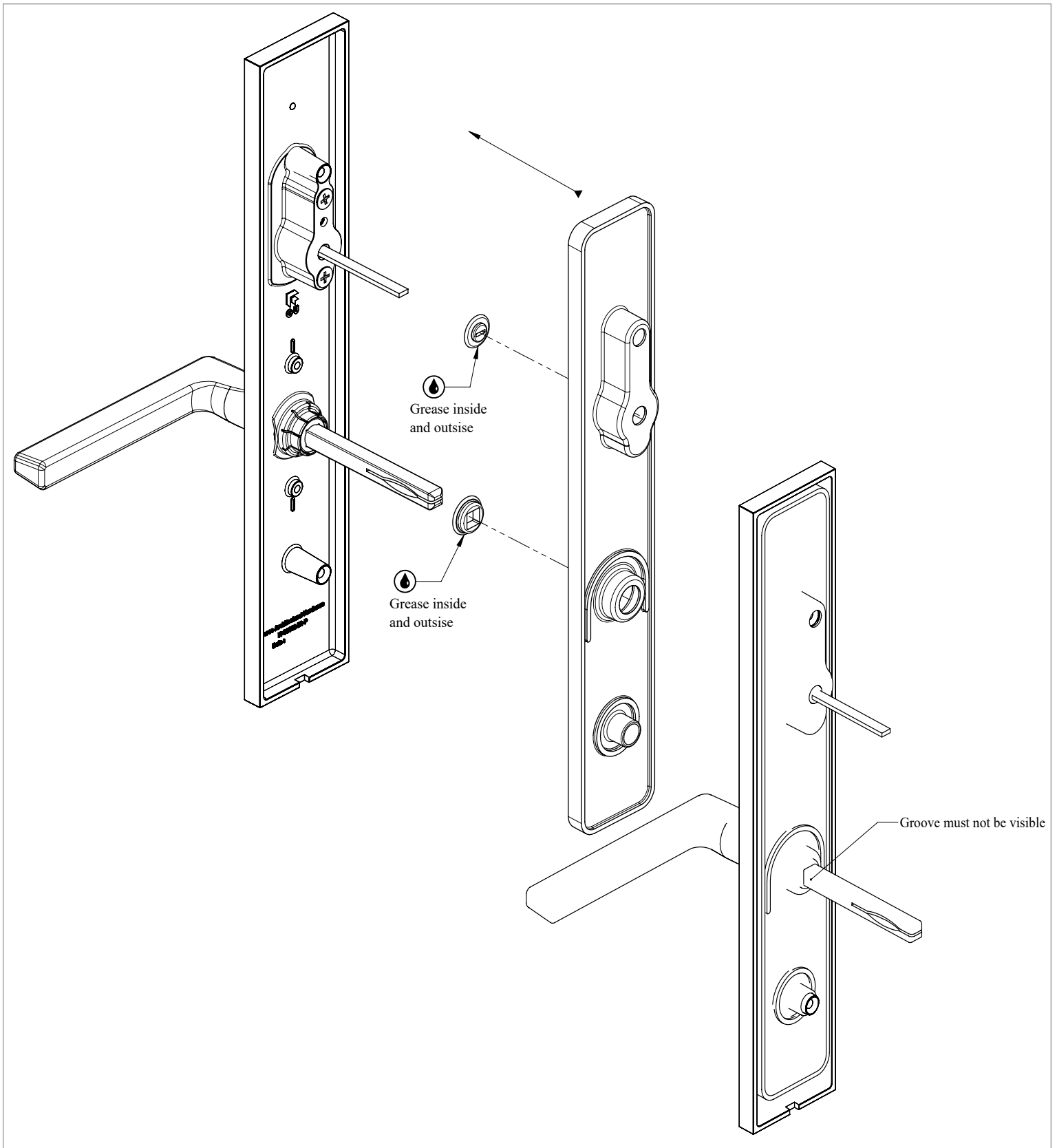
Fabriqué en neoprène
Testé DP 100 (15psf/ 2,9po/eau, 720pa)
pour infiltration d'eau
S'installe dans le perçage indiqué ci-dessous

03T
2



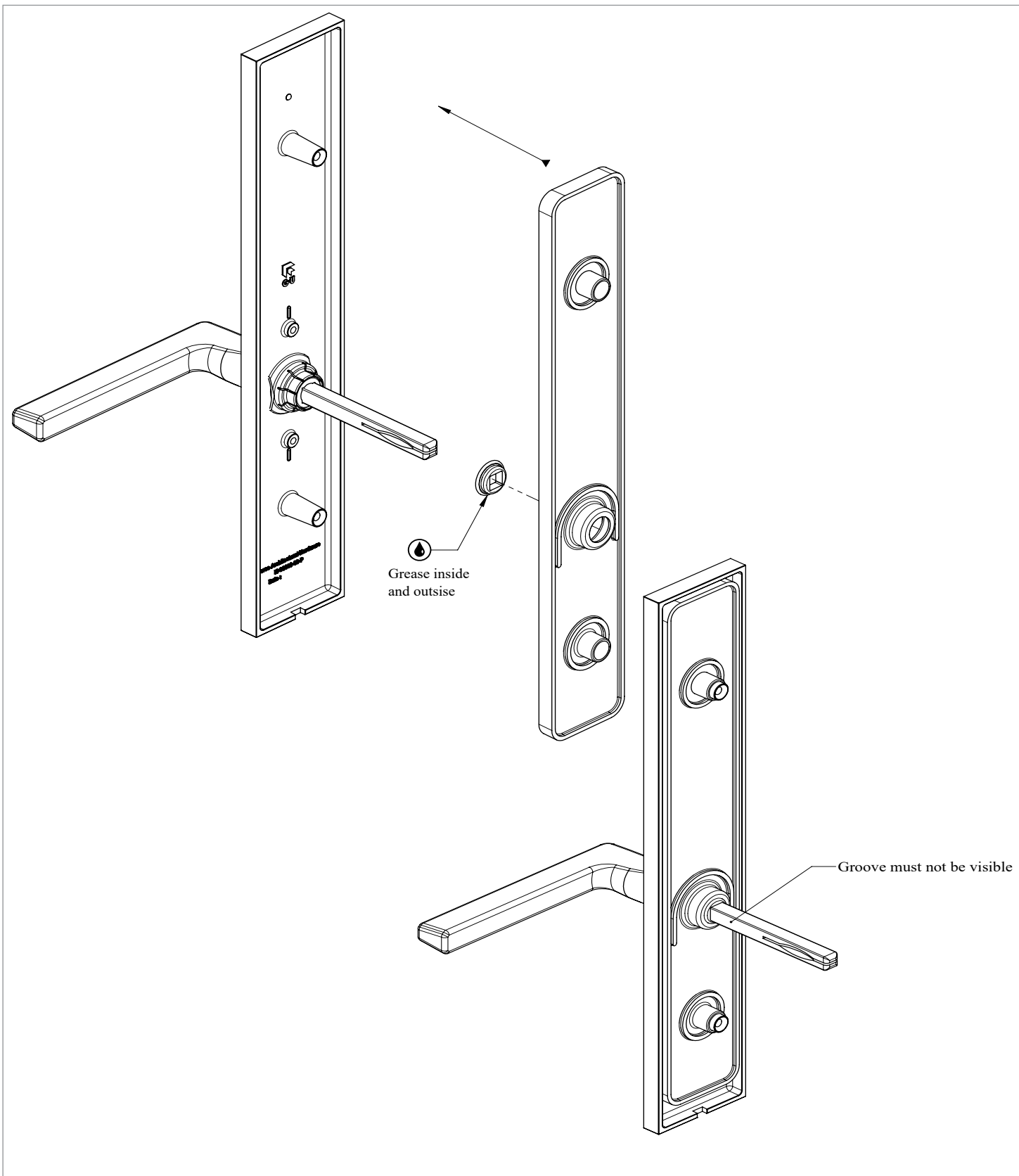
Door Multi-point Locking System

Active Gasket Installation 55mm Plates



Door Multi-point Locking System

Inactive Gasket Installation 55mm Plates



03T
2

Door Multi-point Locking System

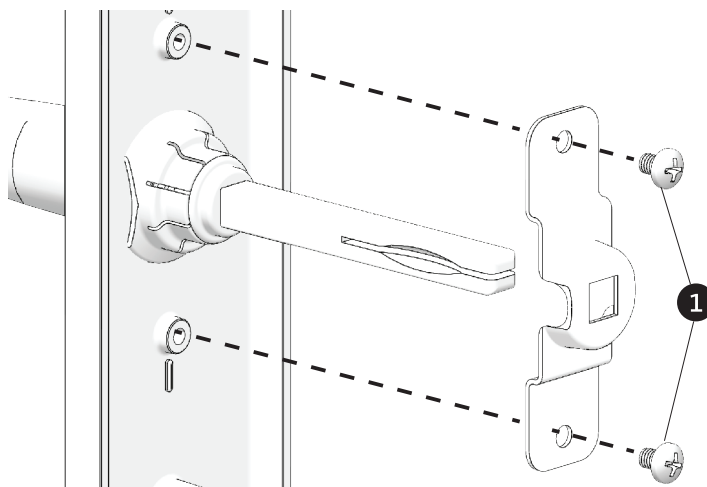
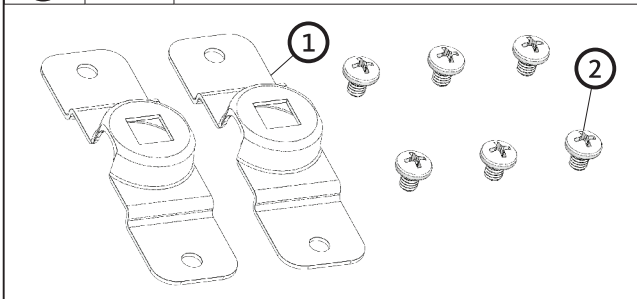
Dummy plates kit instructions 55mm trim kit & 65mm trim kit



Do the following before installing the trims on the door!

What's in the bag

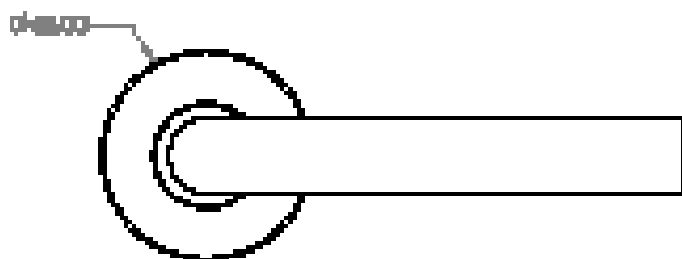
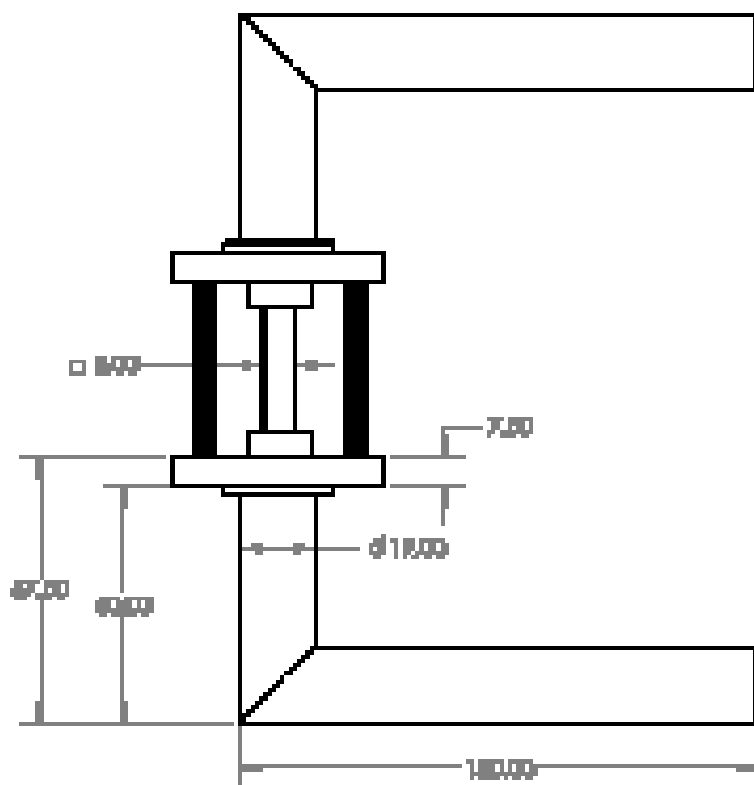
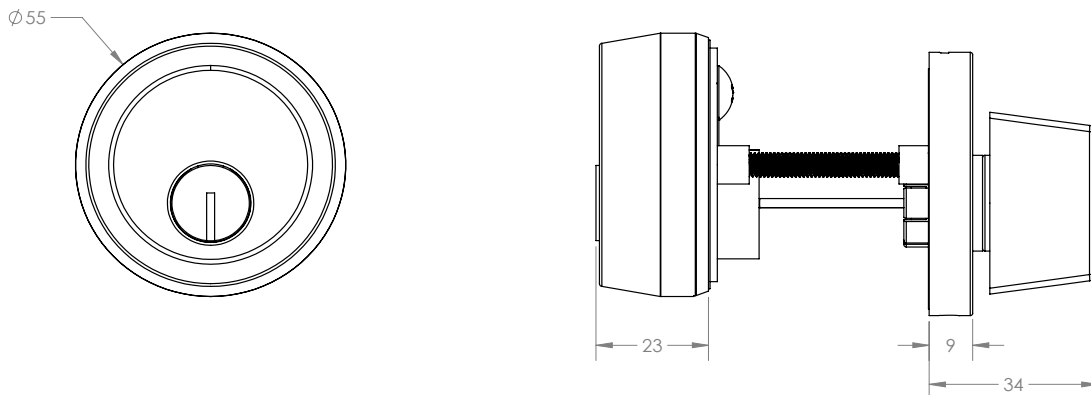
Pos	Qty	Description
①	2	Fixing plates
②	6	M4 x 5mm fixation screw



- ① Once all the components are assembled, mount the fixing plates inside both trims using the fixation screws. Make sure the handle is pointing towards the hinges side before inserting the fixing plate.

Door Multi-point Locking System

BELCANTO Handles & US Rosettes



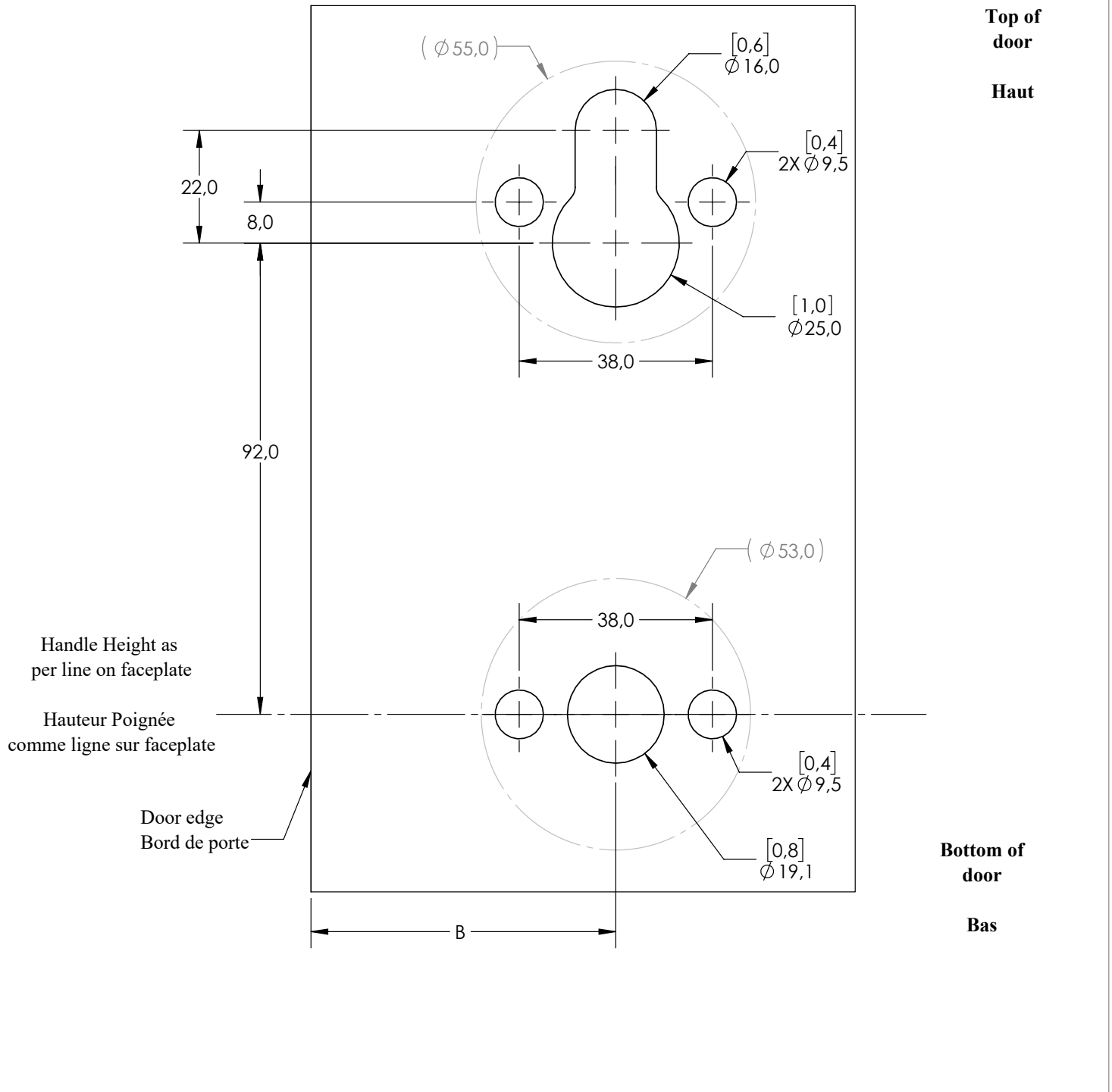
03T
2

Door Multi-point Locking System

BELCANTO Handles & US Rosettes Cutout

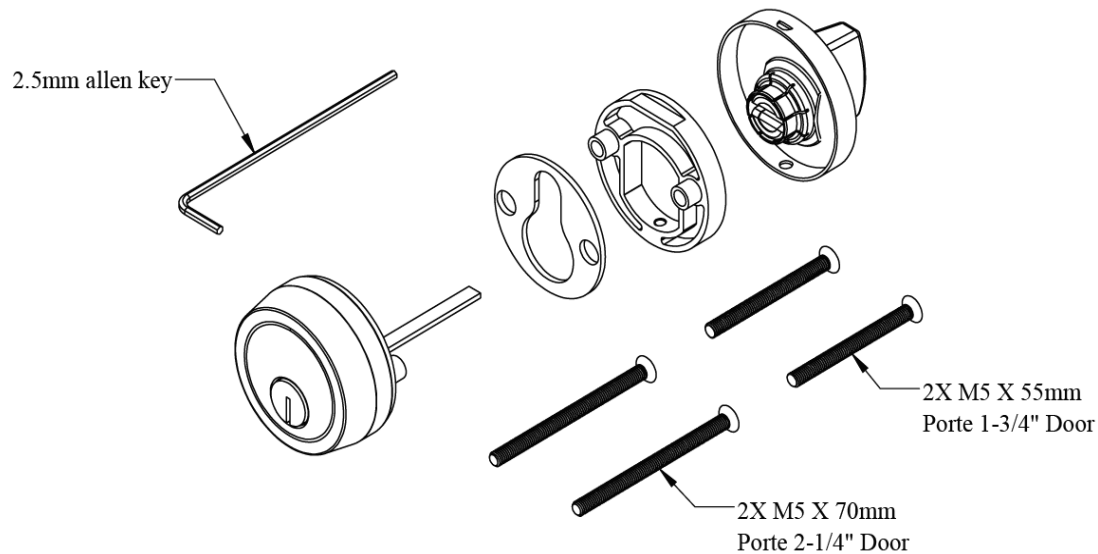


CNC - Cut-out

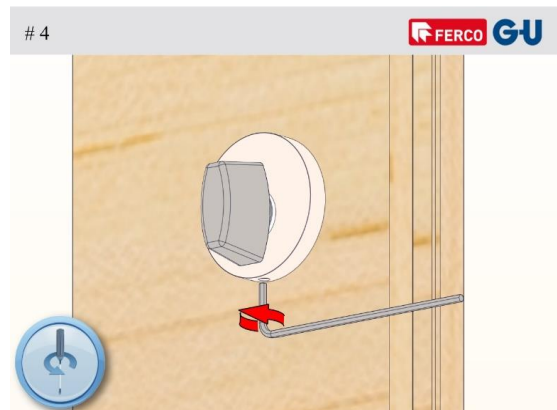
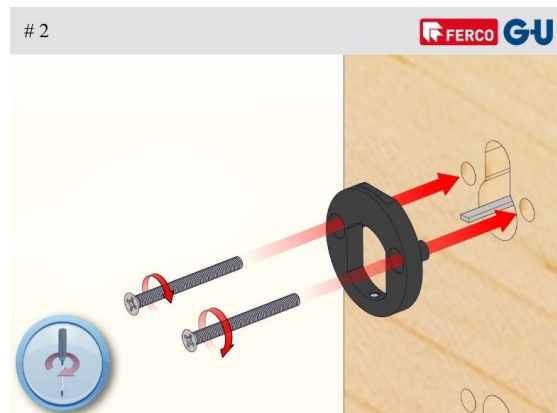
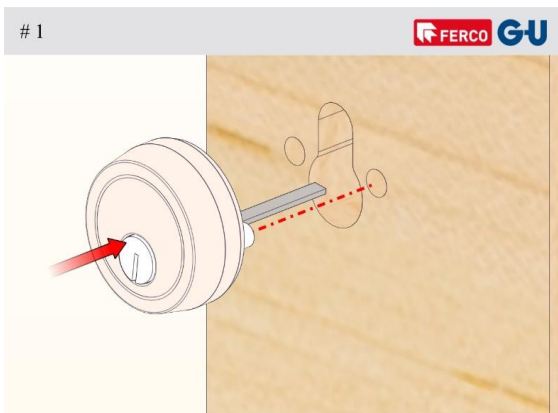


Door Multi-point Locking System

US Rosettes Installation Instructions

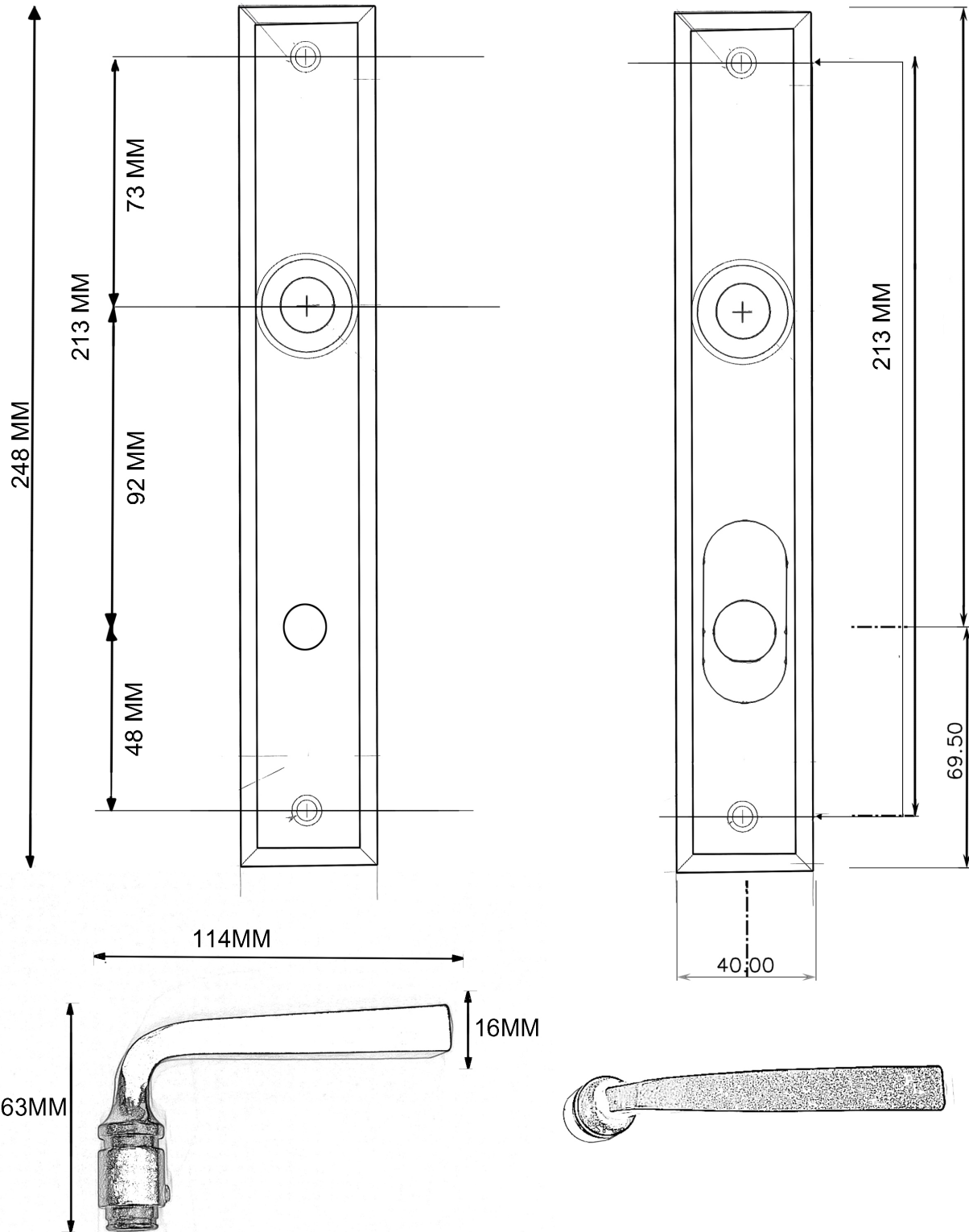


03T
2



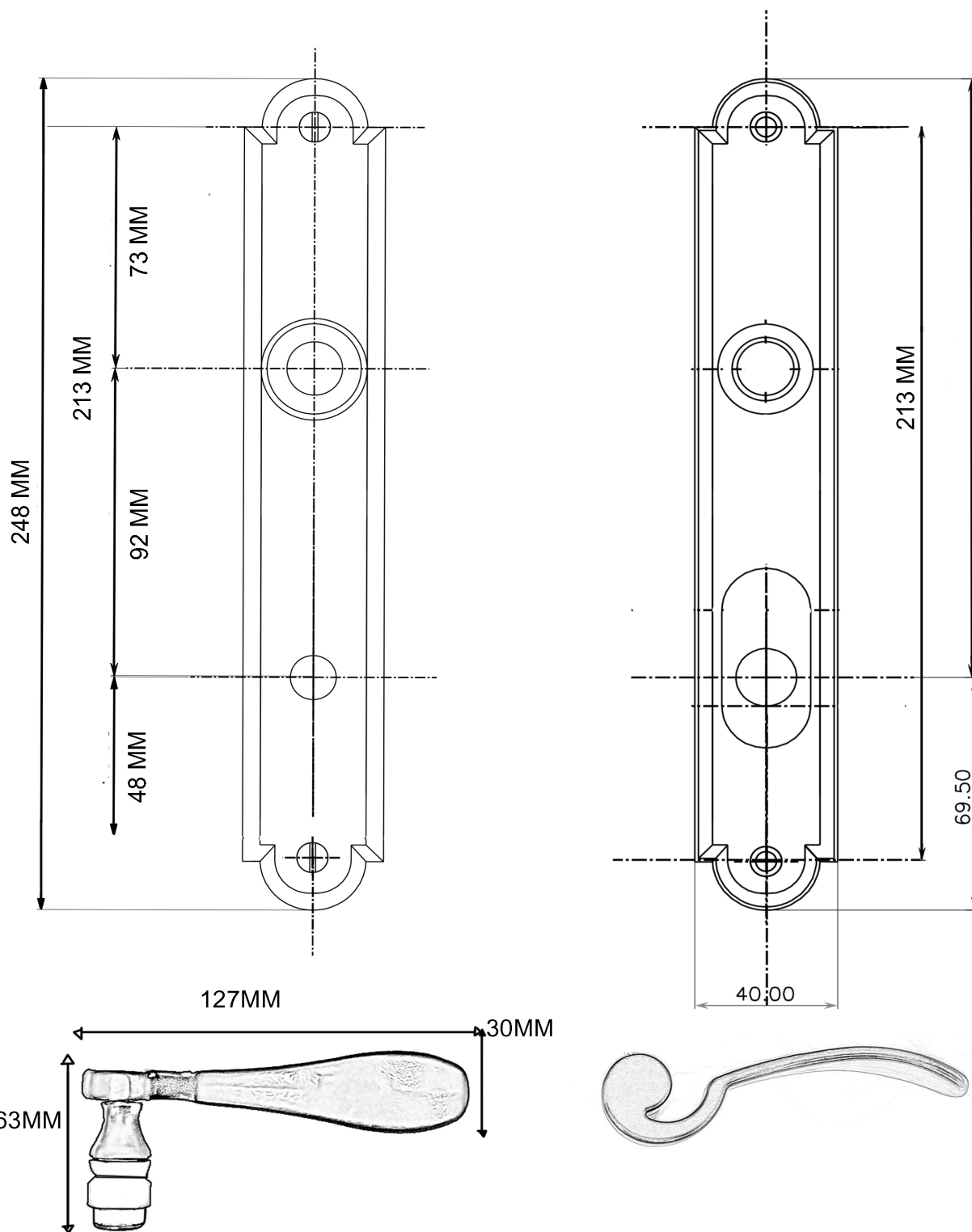
Door Multi-point Locking System

Handle Set Dimensions for Viking Handle



Door Multi-point Locking System

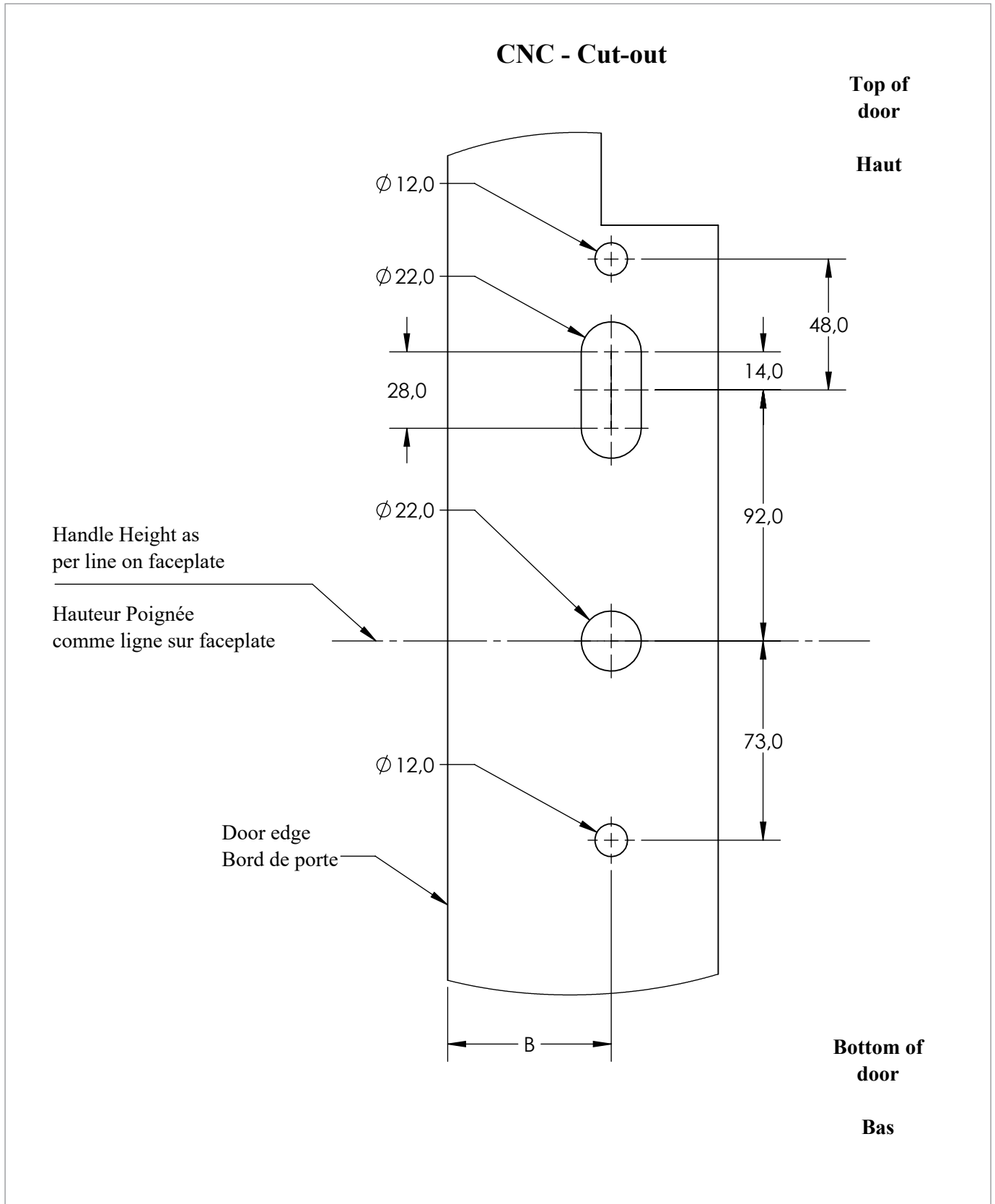
Handle Set Dimensions for Romance Handle



03T
2

Door Multi-point Locking System

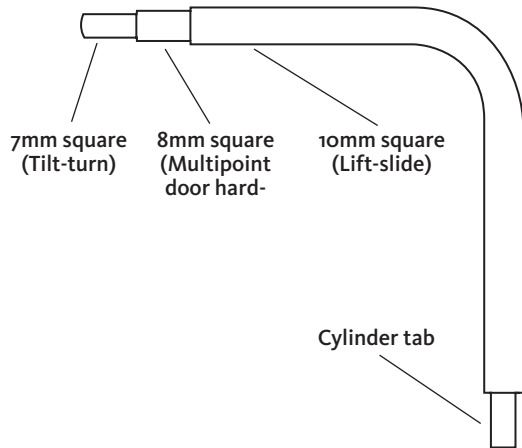
Viking/Romance Handle Set Cutout





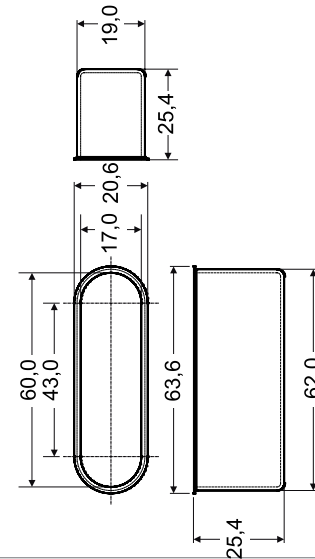
Construction Key

Description	Part Number
Construction key	9-U0001-01-0-0



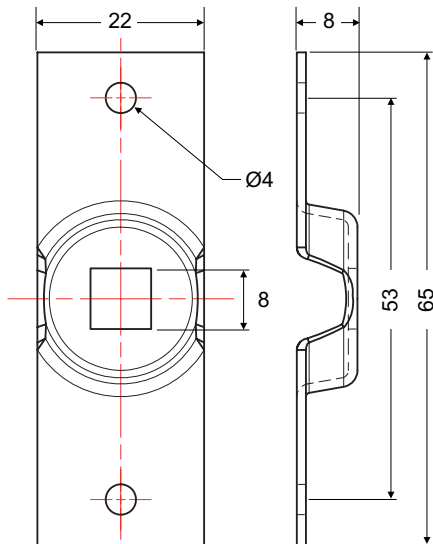
Plastic Cup - With Edge

Description	Part Number
Plastic cup	9-C4765-00-0-6



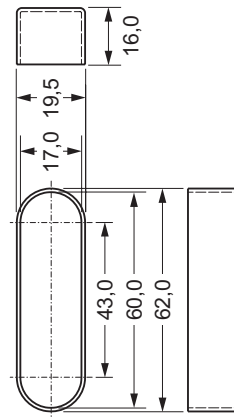
Fixing for Dummy Handles

Description	Part Number
Fixing plate	6-C0800-03-0-0



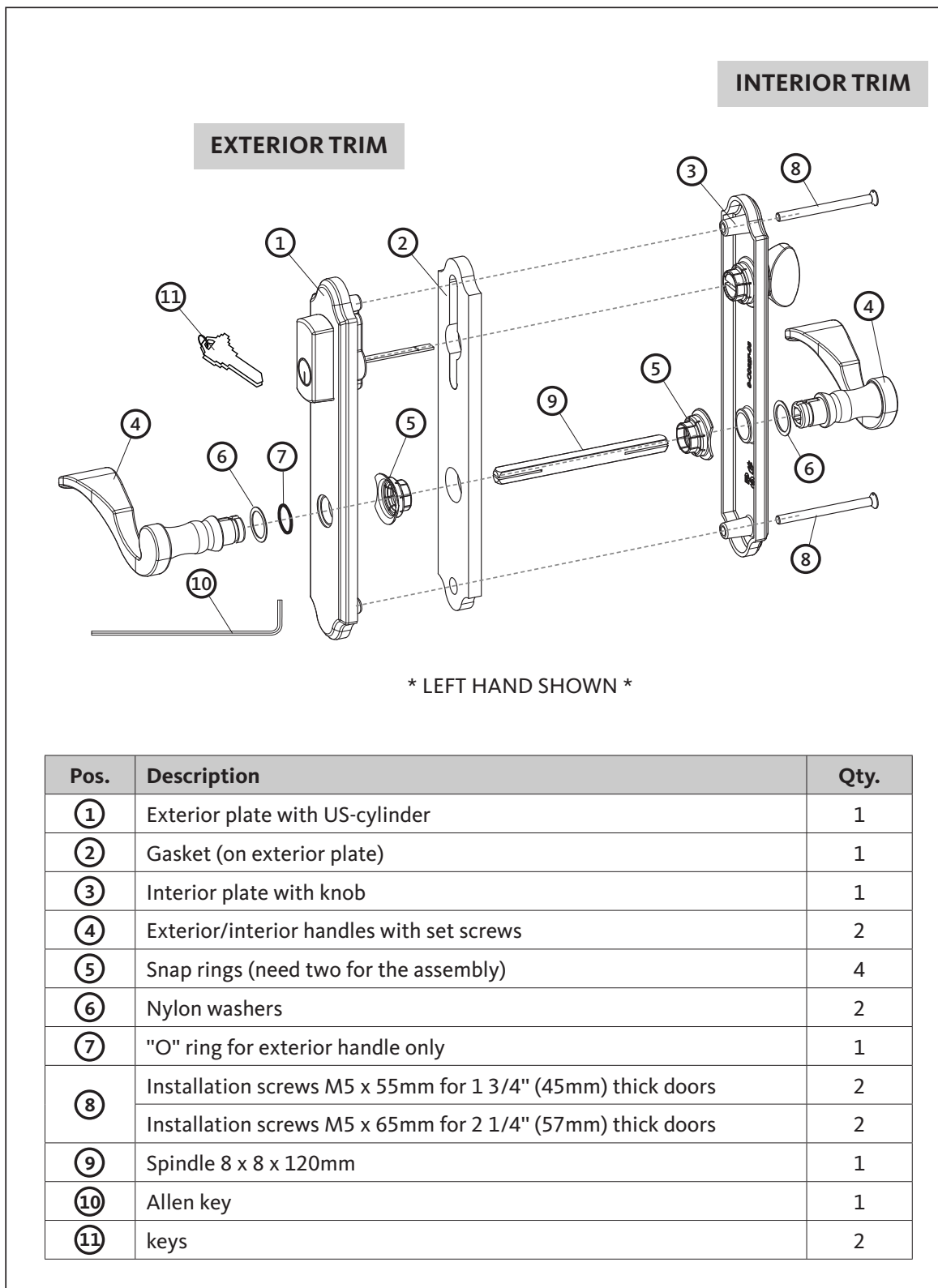
Plastic Cup - No Edge

Description	Part Number
Plastic cup	9-C4765-0A-0-6



Door Multi-point Locking System

Installation Guide for Active Handle Trim Kit

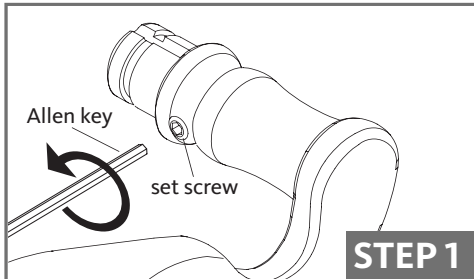


* LEFT HAND SHOWN *

Pos.	Description	Qty.
①	Exterior plate with US-cylinder	1
②	Gasket (on exterior plate)	1
③	Interior plate with knob	1
④	Exterior/interior handles with set screws	2
⑤	Snap rings (need two for the assembly)	4
⑥	Nylon washers	2
⑦	"O" ring for exterior handle only	1
⑧	Installation screws M5 x 55mm for 1 3/4" (45mm) thick doors	2
	Installation screws M5 x 65mm for 2 1/4" (57mm) thick doors	2
⑨	Spindle 8 x 8 x 120mm	1
⑩	Allen key	1
⑪	keys	2

Door Multi-point Locking System

Installation Guide for Active Handle Trim Kit

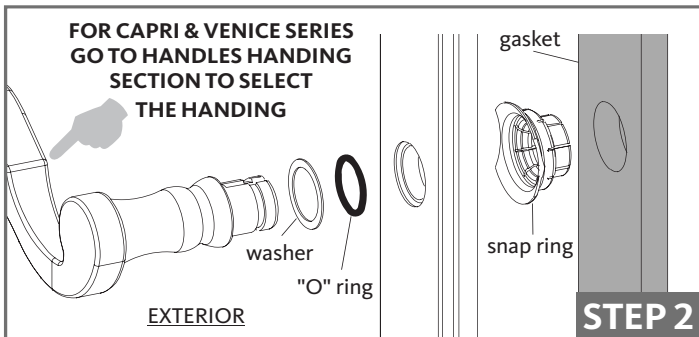


Loosen the set screws on both handles with the supplied Allen key.

ATTENTION!

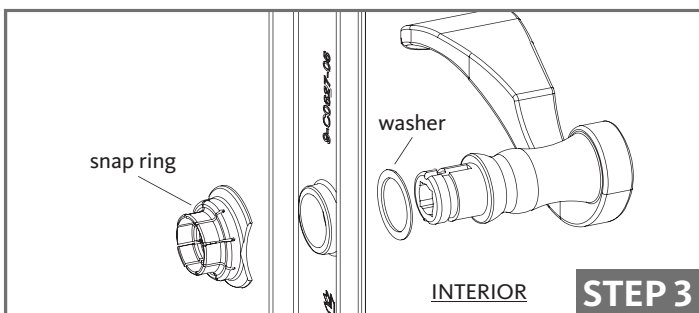
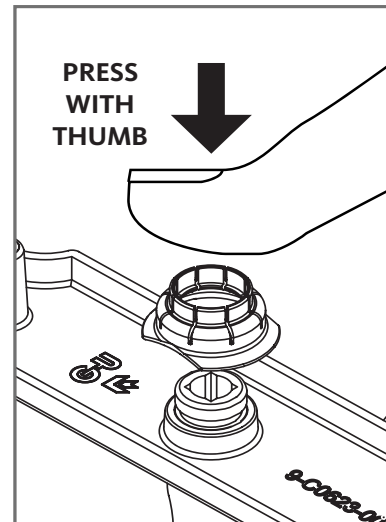
Assemble at room temperature above 65° F. Place handle on soft cloth to avoid scratching.

Do not use mallet/hammer to snap ring in place, press with thumb.



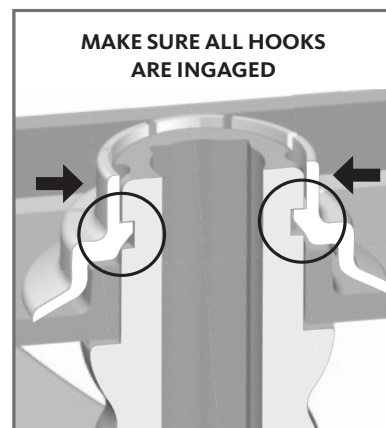
EXTERIOR TRIM ASSEMBLY

Remove the gasket. Place nylon washer and then the "O" ring on handle shank against lever. Slide handle shank into handle hole. From backplate, place snap ring over handle shank and press with thumb as shown. Re-install the gasket.



INTERIOR TRIM ASSEMBLY

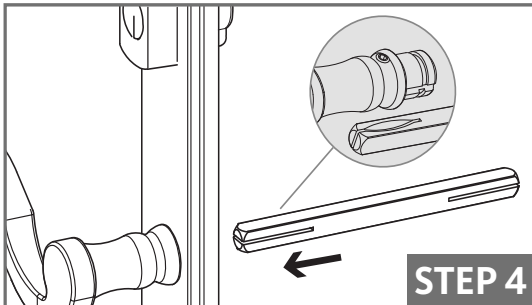
Place nylon washer on handle shank against lever. Slide handle shank into handle hole. From backplate, place snap ring over handle shank and press with thumb as shown.



03T
2

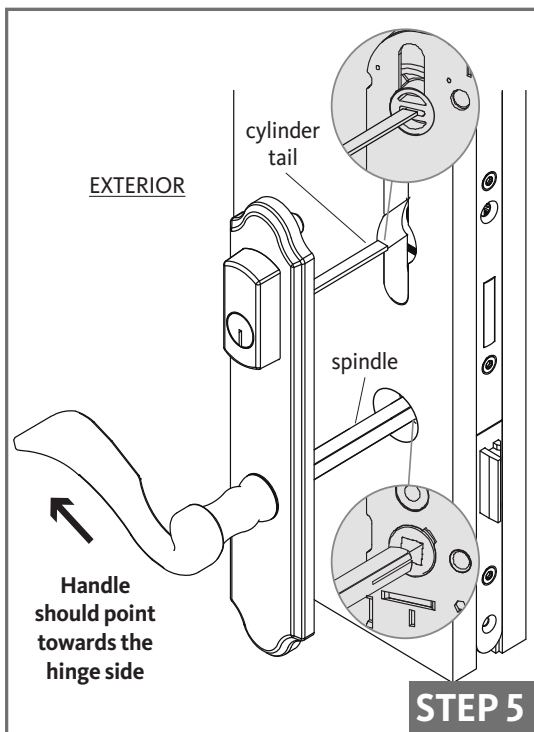
Door Multi-point Locking System

Installation Guide for Active Handle Trim Kit



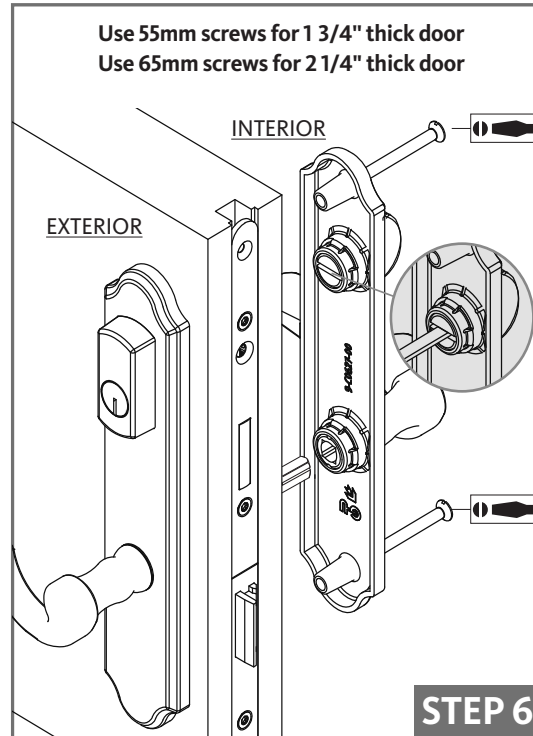
EXTERIOR TRIM

Slide spindle into handle square hole. The groove on the spindle should face the set screw as shown.



EXTERIOR TRIM INSTALLATION

Position the exterior trim into the holes, the cylinder tail (in horizontal position) through the cylinder bore and the spindle through the square hole on lockcase, and push the trim against the door.



INTERIOR TRIM INSTALLATION

Hold the exterior trim, position the interior trim over the spindle and push the trims against the door. The cylinder tail piece should slide horizontally through knob slot. Fasten with two installation screws (use flat screwdriver). Don't fully tighten yet!

CHECK FUNCTION!

1. The operation of the handles.
2. The operation of the cylinder (outside with key, inside with knob), make sure the dead bolt extends a full 1", and retracts fully.
3. Be able to remove the key in locked position and in opened position.



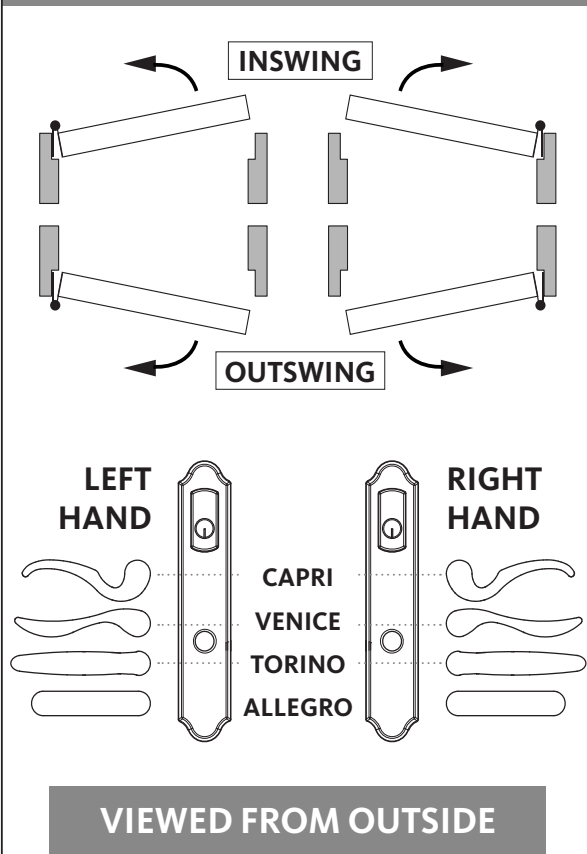
Fully tighten the installation screws. Fully tighten the set screws on the levers.

Door Multi-point Locking System

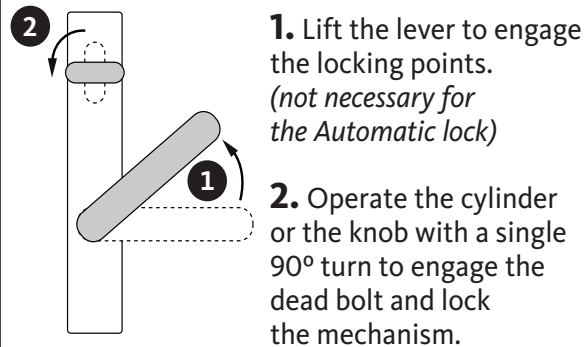
Installation Guide for Active Handle Trim Kit



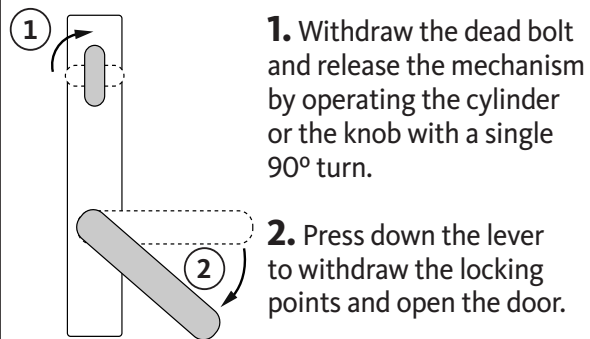
HANDLES HANDING



CLOSING & LOCKING



UNLOCKING & OPENING



TROUBLESHOOTING

HANDLE IS HARD TO PRESS OR LIFT

Although some tension is required to activate the mechanism, excessive force should not be required. Loosen the installation screws 1/4 turn at a time. Re-adjust the handle by unscrewing the set screw on one of the handles.

PLATES ARE NOT TIGHT AGAINST THE DOOR

Installation screws are probably too long, file them down in short steps.

DEADBOLT IS HARD TO LOCK

Cylinder tail piece may be too long, it may be pushing against the interior knob. To release this pressure, file the excess length in short steps.


CARE & MAINTENANCE

To prevent build-up of surface contaminants, possibly resulting in hardware surface deterioration and in some case appearance of rust; we recommend to wipe down with soft cloth all visible surfaces with warm water and mild soap. Then wipe the same surfaces with a clean cloth and warm water only and let surfaces dry completely. This procedure should be done a minimum of 2 times per year.

The use of caustic cleansers or chemicals should be avoided.



For all finishes except Oil Rubbed Bronze (05), it is strongly recommended to apply a non-abrasive automotive wax to protect the surface.

In order to ensure the smooth operation of the lock over a long period of time, it is necessary to lubricate all movable parts and locking points using acid and resin-free lubricants .

Ferco Architectural Hardware Inc.
2000, Rue Berlier
Laval QC H7L 4S4