



DOOR TECHNOLOGY – ORDER CATALOG | SECTION 03.5



GU-SECURY Automatic Smart Access Controlled



Securing technology for you





03.5

SECURY Automatic Access Controlled

SECURY Automatic Key-operated Door Lock.....	03.5.3
Filler pieces.....	03.5.5
Access Control Kits.....	03.5.6
Code Keypad / Fingerprint Scanner	03.5.9
A-opener Kit	03.5.11
SECUREconnect 200	03.5.12
Faceplate for SECUREconnect.....	03.5.13
Concealed Cable Duct	03.5.14
Power Supply.....	03.5.15
Pull Bar Handles	03.5.16
Accessories for Pull Bar Handles	03.5.20
Smart lock	03.5.22
BELCANTO Handle and EU Rosettes	03.5.23
EURO Profile Cylinder	03.5.25
Strike Plates	03.5.26
Accessories	03.5.29

The House Entrance Door Concept

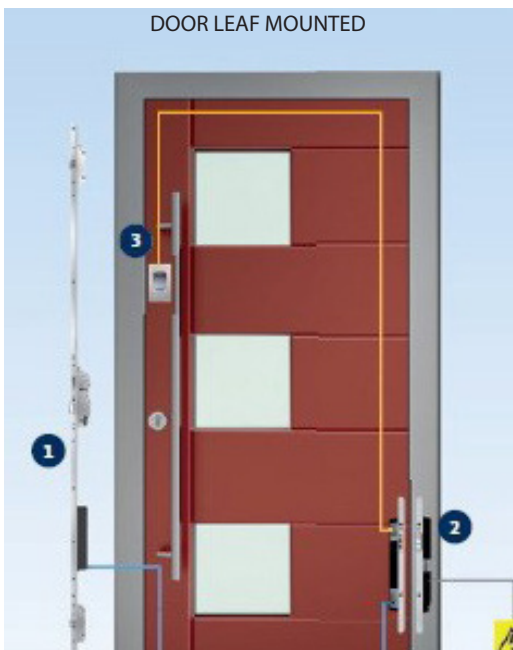
Secure – Convenient – Flexible



The single-door solution providing easy access

The GU house entrance door concept combines security and comfort

- Convenient access with biometric fingerprint recognition or individual access code. Special emphasis has been placed on simple configuration of the system
- Reading directly via the finger scanner or the code keypad, the non-networked system can function without additional computer assistance



- Control via finger scanner or code keypad
- GU-SECURITY Automatoc with A-opener
- SECUREconnect 200 wireless transition

SECURY Automatic

with Latch, Deadbolt and 2 Automatic Latchbolts - Rounded Ends



SECURY Automatic Door Lock With Key Open and Lock Function of the Multi-point

Description	Backset	Color	PU	Part Number
Door lock for 6' 8" doors	35mm	SS	5	6-40526-01-R-8B
Door lock for 8' doors	35mm	SS	5	6-40526-02-R-8B
Door lock for 6' 8" doors	45mm	SS	5	6-40526-03-R-8B
Door lock for 8' doors	45mm	SS	5	6-40526-04-R-8B
Door lock for 6' 8" doors	55mm	SS	5	6-40526-05-R-8B
Door lock for 8' doors	55mm	SS	5	6-40526-06-R-8B
Door lock for 6' 8" doors	65mm	SS	5	6-40526-07-R-8B
Door lock for 8' doors	65mm	SS	5	6-40526-08-R-8B

PU = Packaging Unit

Simply Close the Door!

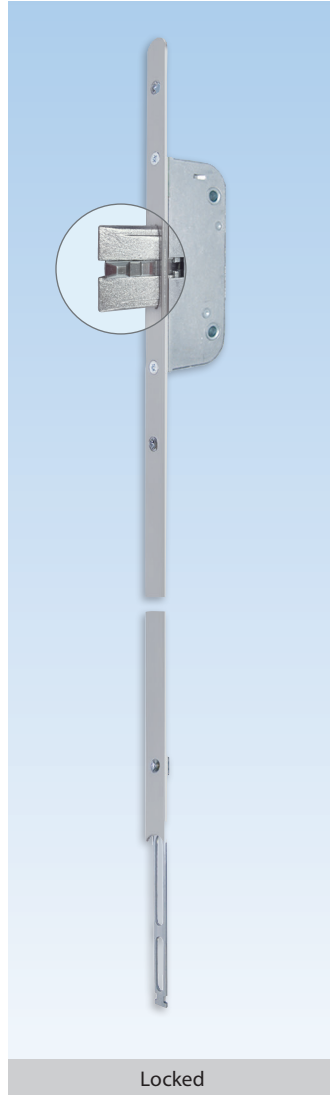
As soon as the door is pulled shut, the Automatic latchbolts instantly throw 20mm and are secured to prevent them from being forced back. By turning the key or the knob, the center deadbolt will engage and lock the top and bottom latchbolts to become a **3-deadbolt locking system**.

Additional information

- 3-point, one piece locking system for 6' 8" and 8' doors
- Heavy duty mortise construction with reinforced lever return spring system
- Locking by PZ cylinder with 180° turn of key or thumb-turn
- Unlocking with 180° turn to retract the deadbolt and another 180° turn to retract the latches
- No lifting of handle to engage locking points
- Top and bottom Automatic latchbolt projection from 10 to 20mm:
 - Provides security
 - Protects the door
- 3/4" (20mm) throw on deadbolt
- Non handed, latch easily reversible
- 8mm square spindle
- 92mm centres (spindle to cylinder)
- 16mm stainless steel faceplate with radius ends for easy installation and cleaner look
- Same hardware groove detail throughout our entire door lock program (jig, router base and bits available)
- Extension with additional lock point is available for doors taller than 8' (6-33479-04-0-8B)
- 360° turn with profile cylinders

Automatic Extension

with Additional Latchbolt - Radius End



Extension with Additional Latchbolt

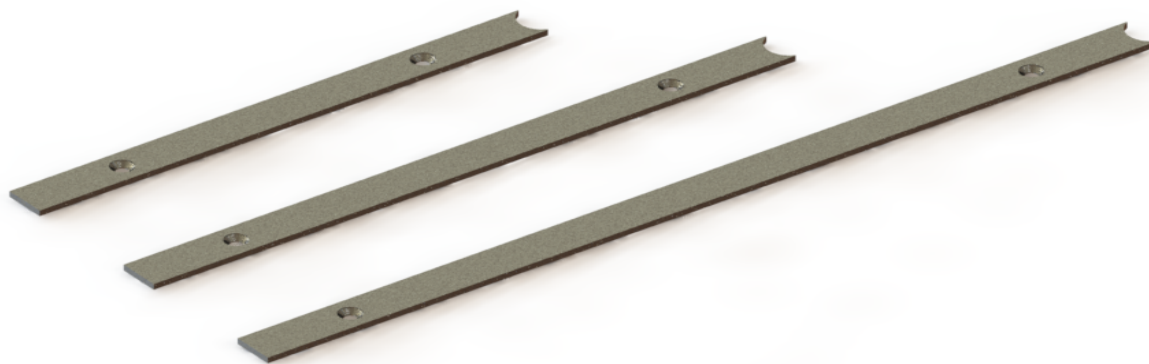
Description	Color	PU	Part Number
525mm extension with rounded end	Stainless Steel	5	6-33479-04-0-8B
800mm extension with rounded end	Stainless Steel	1	6-C5078-00-0-8B
1050mm extension with rounded end	Stainless Steel	1	6-C5062-10-0-8B
1325mm extension with rounded end	Stainless Steel	1	6-C5062-13-0-8B
PU = Packaging Unit			

Additional information

- Tapered latch always engaging in strike plate
- 16mm stainless steel faceplate with radius end for easy installation and cleaner look
- Additional locking point for doors taller than 8'
- To be used with GU-SECURY Automatic door locks

Filler pieces

Round to square



Filler Pieces Round to square

Description	PU	Part Number
Filler piece 193,7mm x 16 mm	1	9-C4340-19-0-8B
Filler piece 245,9 mm x 16 mm	1	9-C4342-24-0-8B
Filler piece 342,3 mm x 16 mm	1	9-C4342-34-0-8B
PU = Packaging Unit		

Additional information

- Made of stainless steel
- To be used with radius end locks and extensions

Formulas to select filler length:

- Bottom:
L = Handle height - 720,7mm
- Top 1590mm lock:
L = Door height - handle height - extension(s) length - 871,7mm
- Top 1900mm lock:
L = Door height - handle height - extension(s) length - 1181,7mm

Access Control Kits

DOOR LEAF MOUNTED



DOOR LEAF MOUNTED Code Keypad Kit

Description	PU	Part Number
Code keypad kit	1	K-C1440-51-0-0
PU = Packaging Unit		

Additional information

- Package contains:
 - Code keypad (K-C5560-20-4-8)
 - A-opener (K-C8153-01-0-0)
 - SECURE Connect 200 (K-C5560-20-4-6)
- SECURE Connect faceplates must be bought separately (9-C4793-0X-0-8B)
- Power supply can be bought separately (6-C9405-00-0-00)
- Refer to wire Diagram - Option 3



DOOR LEAF MOUNTED Fingerprint Scanner Kit

Description	PU	Part Number
Fingerprint scanner kit	1	K-C1440-01-0-0
PU = Packaging Unit		

Additional information

- Package contains:
 - Fingerprint scanner (K-C5560-23-4-8)
 - A-opener (K-C8153-01-0-0)
 - SECURE Connect 200 (K-C5560-20-4-6)
- SECURE Connect faceplates must be bought separately (9-C4793-0X-0-8B)
- Power supply can be bought separately (6-C9405-00-0-00)
- Refer to wire Diagram - Option 3

* Do not install the SECUREconnect if conditions require a higher protection class than IP 40



FRAME MOUNTED Code Keypad Kit

Description	PU	Part Number
Code keypad kit	1	K-C1440-51-0-0
Cable relay -6 (One required)	1	B-55600-21-4-6
PU = Packaging Unit		

Additional information

- Package contains:
 - Code keypad (K-C5560-20-4-8)
 - A-opener (K-C8153-01-0-0)
 - SECURE Connect 200 (K-C5560-20-4-6)
- One cable relay -6 (B-55600-21-4-6) must be bought separately
- SECURE Connect faceplates must be bought separately (9-C4793-0X-0-8B)
- Power supply can be bought separately (6-C9405-00-0-00)
- Refer to wire Diagram - Option 6



FRAME MOUNTED Fingerprint Scanner Kit

Description	PU	Part Number
Fingerprint Scanner Kit	1	K-C1440-01-0-0
Cable relay -6 (One required)	1	B-55600-21-4-6
PU = Packaging Unit		

Additional information

- Package contains:
 - Fingerprint scanner (K-C5560-23-4-8)
 - A-opener (K-C8153-01-0-0)
 - SECURE Connect 200 (K-C5560-20-4-6)
- One cable relay -6 (B-55600-21-4-6) must be bought separately
- SECURE Connect faceplates must be bought separately (9-C4793-0X-0-8B)
- Power supply can be bought separately (6-C9405-00-0-00)
- Refer to wire Diagram - Option 6

* Do not install the SECUREconnect if conditions require a higher protection class than IP 40

Access Control Kits

WALL MOUNTED



WALL MOUNTED Code Keypad Kit

Description	PU	Part Number
Code keypad kit	1	K-C1440-73-0-0
PU = Packaging Unit		

Additional information

- Package contains:
 - Code keypad (K-C5560-20-1-8)
 - A-opener (K-C8153-01-0-0)
 - SECURE Connect 200 (K-C5560-20-4-6)
- Relay unit included (Not show on image)
- SECURE Connect faceplates must be bought separately (9-C4793-0X-0-8B)
- Power supply can be bought separately (6-C9405-00-0-00)
- Refer to wire Diagram - Option 4



WALL MOUNTED Fingerprint Scanner Kit

Description	PU	Part Number
Fingerprint scanner kit	1	K-C1440-61-0-0
PU = Packaging Unit		

Additional information

- Package contains:
 - Fingerprint scanner (K-C5560-23-1-8)
 - A-opener (K-C8153-01-0-0)
 - SECURE Connect 200 (K-C5560-20-4-6)
- Relay unit included (Not show on image)
- SECURE Connect faceplates must be bought separately (9-C4793-0X-0-8B)
- Power supply can be bought separately (6-C9405-00-0-00)
- Refer to wire Diagram - Option 4

* Do not install the SECUREconnect if conditions require a higher protection class than IP 40

SEPARATE COMPONENTS

Code Keypad/Fingerprint Scanner



Door leaf / Frame mounted Code Keypad

Description	Color	PU	Part Number
Code keypad	Stainless steel	1	K-C5560-20-4-8
PU = Packaging Unit			

Additional information

- High-quality housing
 - cast and waterproof for outdoor use
- Stainless steel keyboard and faceplate
- Intelligent and time-controlled locking keyboard mechanisms to combat manipulation
- Encrypted communication
- Optimum installation height of 1.2 m upwards (for child safety)
- Can only be used in combination with SECURE Connect



Door leaf / Frame mounted Fingerprint Scanner

Description	Color	PU	Part Number
Fingerprint scanner	Stainless steel	1	K-C5560-23-4-8
PU = Packaging Unit			

Additional information

- High-quality housing
 - cast and waterproof for outdoor use
- Stainless steel faceplate
- False rejection rate minimized to nearly “zero”
- Highest biometric security standards
 - programming without any code
- Self-learning fingerprint
- Optimum installation height of 1.2 m upwards (for child safety)
- Can only be used in combination with SECURE Connect

SEPARATE COMPONENTS

Code Keypad/Fingerprint Scanner



Wall mounted Code Keypad

Description	Color	PU	Part Number
Code keypad	Stainless steel	1	K-C5560-20-1-8
PU = Packaging Unit			

Additional information

- High-quality housing
 - cast and waterproof for outdoor use
- Stainless steel keyboard and faceplate
- Intelligent and time-controlled locking mechanisms to combat manipulation
- Encrypted communication
- Optimum installation height of 1.2 m upwards (for child safety)
- Can only be used in combination with SECURE Connect
- Relay unit included (Not show on image)



Wall mounted Fingerprint Scanner

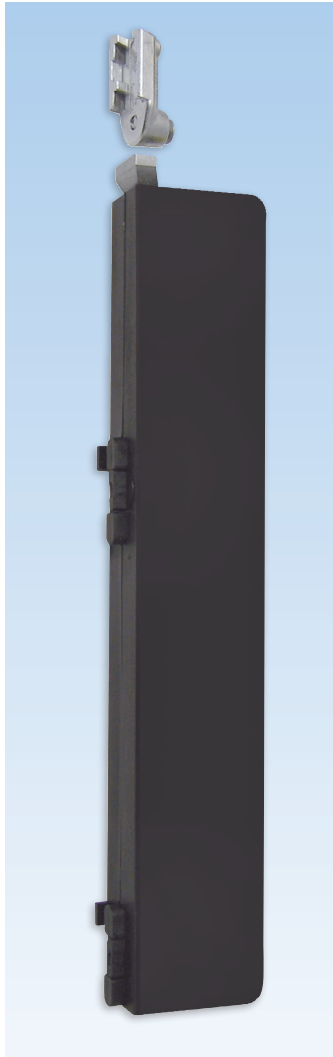
Description	Color	PU	Part Number
Fingerprint scanner	Stainless steel	1	K-C5560-23-1-8
PU = Packaging Unit			

Additional information

- High-quality housing
 - cast and waterproof for outdoor use
- Stainless steel faceplate
- False rejection rate minimized to nearly “zero”
- Highest biometric security standards
 - programming without any code
- Self-learning fingerprint
- Optimum installation height of 1.2 m upwards (for child safety)
- Can only be used in combination with SECURE Connect
- Relay unit included (Not show on image)

GU-SECURITY A-opener

Opening Motor



Mounted on gear

A-opener Kit

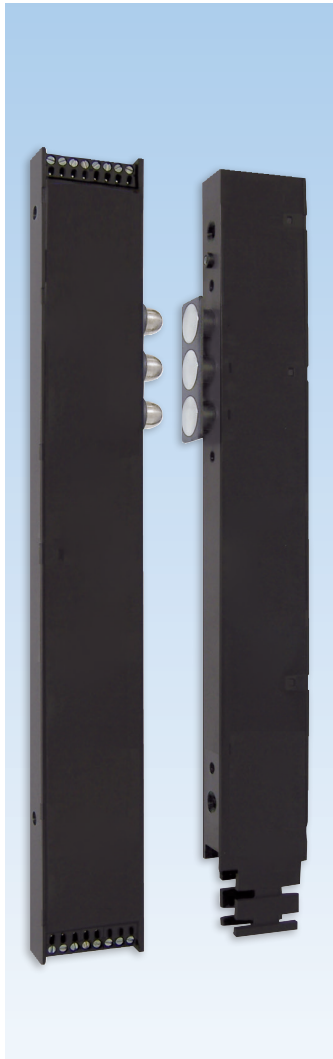
Description	Color	PU	Part Number
A-opener kit with connecting cables	Black	1	K-C8153-01-0-0
PU = Packaging Unit			

Additional information

- The GU-SECURITY Automatic lock with motorized A-opener retracts the latches
- Once the door panel is closed, it can be opened from the outside or inside via an impulse transmitter. That will signal the A-opener to retract the latches
- If the deadbolt is engaged the system is inoperative and requires a key from the exterior or thumbturn to unlock

SECURE Connect 200

Wireless Power and Data Transmission



SECUREconnect 200 Unit

Description	Color	PU	Part Number
SECUREconnect 200	Black	1	K-C5560-20-4-6
PU = Packaging Unit			

The intelligent solution for the door system

More security and convenience. SECURE Connect 200 for wireless power and data transmission between frame and door leaf.

Additional information

- Easy installation in timber, PVC and metal door systems
- Short-circuit proof power transmission to the door leaf
- Tamper protection via encoded telegram interface
- Faceplates must be bought separately (9-C4793-0X-0-8B)

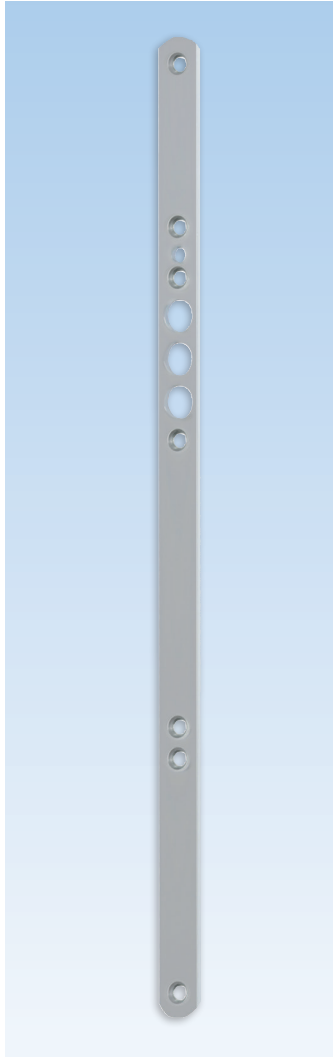


Power and data transmission

* Do not install the SECUREconnect if conditions require a higher protection class than IP 40

Faceplate

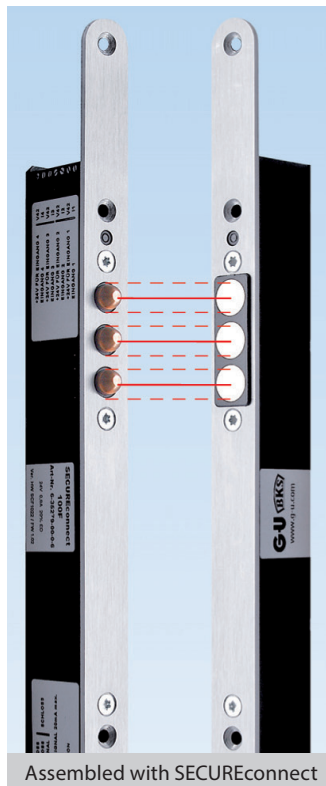
for SECURE Connect Unit



Faceplate			
Description	Color	PU	Part Number
Faceplate 16mm wide with rounded ends (two required)	Stainless Steel	1	9-C4793-01-0-8B
Faceplate 20mm wide with rounded ends (two required)	Stainless Steel	1	9-C4793-03-0-8B
PU = Packaging Unit			

Additional information

- 16 or 20mm stainless steel faceplate with radius ends for easy installation and cleaner look
- Mounting screws included with Secure Connect 200 unit (K-C5560-20-4-6)
- Fastening screws not included (9-C5362-32-0-8)



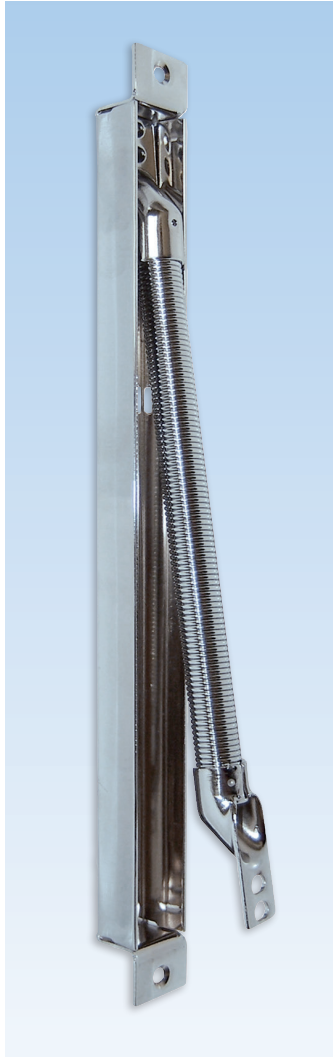
Assembled with SECUREconnect



Mounted on door

Cable Duct

Concealed Cable Transition

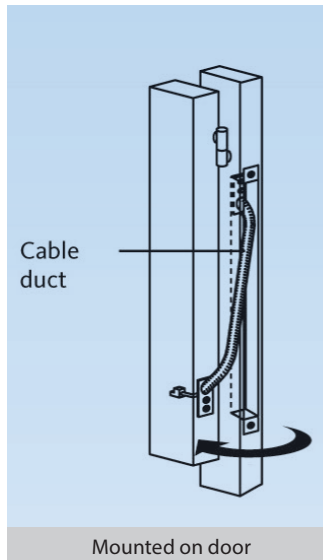


Concealed Cable Duct

Description	Color	PU	Part Number
Cable duct	Zinc	1	6-29854-00-0-0
PU = Packaging Unit			

Additional information

- Installation screws are included





Power Supply 24V DC

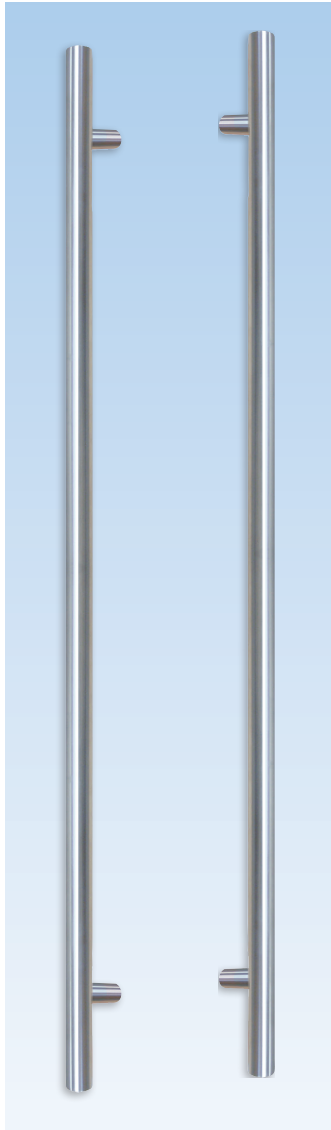
Description	Color	PU	Part Number
	Black	1	6-C9405-00-0-0
PU = Packaging Unit			

Additional information

- Plug-in wall adapter
- Input: 100-240 VAC @ 50/60 Hz
- Output: 24V DC, 2A, 48W
- Screw terminals output

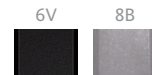
Push-Pull Handle

Contemporary Round



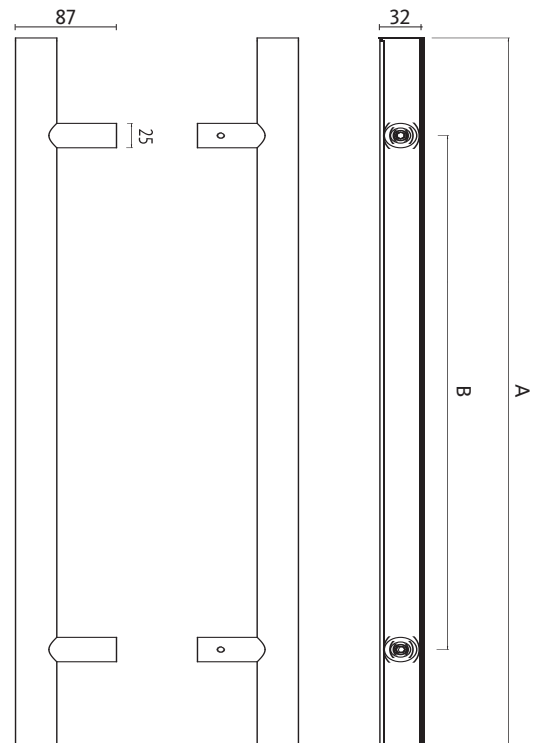
Rounded Straight Handle

Description	PU	Part Number
Double pull bars Length (A) = 1200mm Fixing centers (B) = 1000mm	1	K-C0341-12-P-*
Double pull bars Length (A) = 1800mm Fixing centers (B) = 1400mm	1	K-C0341-18-P-*
8B = Stainless Steel, 6V = Matte Black * = Color PU = Packaging Unit		



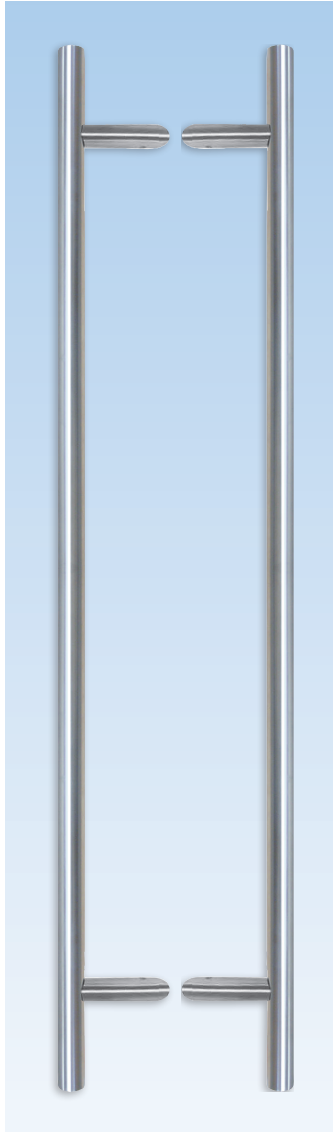
Additional information

- Made of stainless steel 304
- Fastening kit included with M8 screws for 1 3/4" up to 3 3/4" doors
- Bushing included in the kit



Push-Pull Angle Handle

Contemporary Round



Rounded 45° Offset Handles

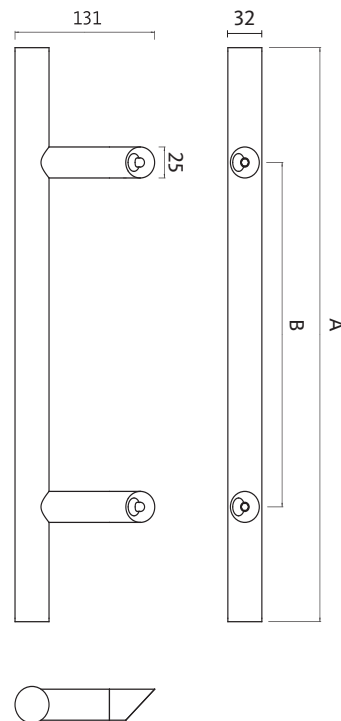
Description	PU	Part Number
Double pull bars Length (A) = 1200mm Fixing centers (B) = 1000mm	1	K-C0343-12-P-*
Double pull bars Length (A) = 1800mm Fixing centers (B) = 1400mm	1	K-C0343-18-P-*

8B = Stainless Steel, 6V = Matte Black * = Color PU = Packaging Unit



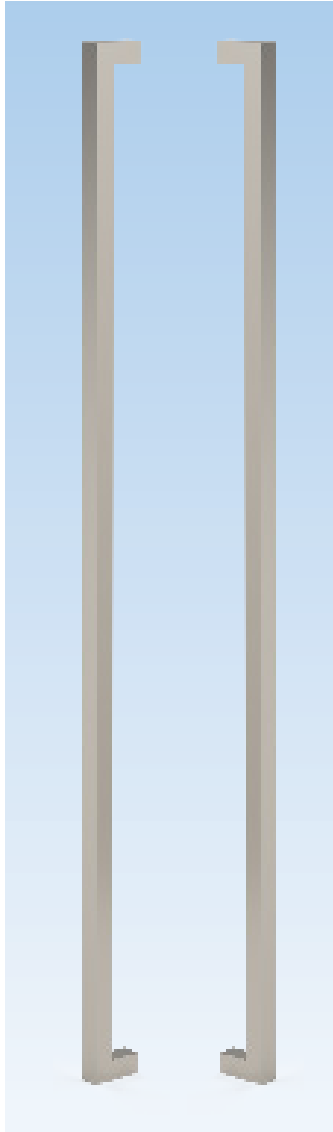
Additional information

- Made of stainless steel 304
- Gives more clearance to the door jamb
- Fastening kit included with M8 screws for 1 3/4" up to 3 3/4" doors
- Bushing included in the kit



Push-Pull Handle

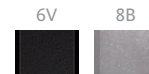
Contemporary Square



Square Straight Handle

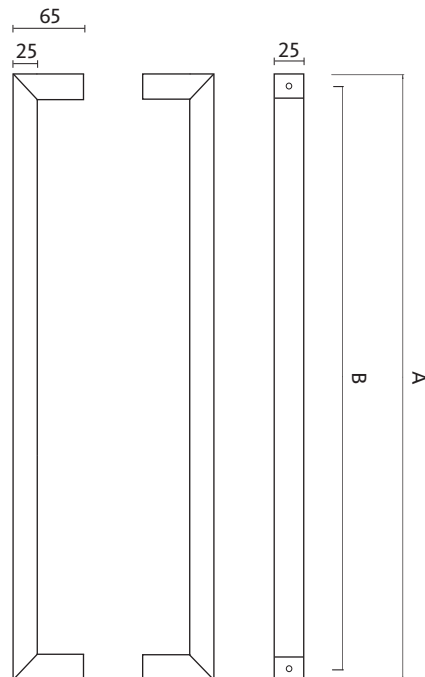
Description	PU	Part Number
Double pull bars Length (A) = 1200mm Fixing centers (B) = 1175mm	1	K-C0346-12-P-*
Double pull bars Length (A) = 1800mm Fixing centers (B) = 1775mm	1	K-C0346-18-P-*

8B = Stainless Steel, 6V = Matte Black * = Color PU = Packaging Unit



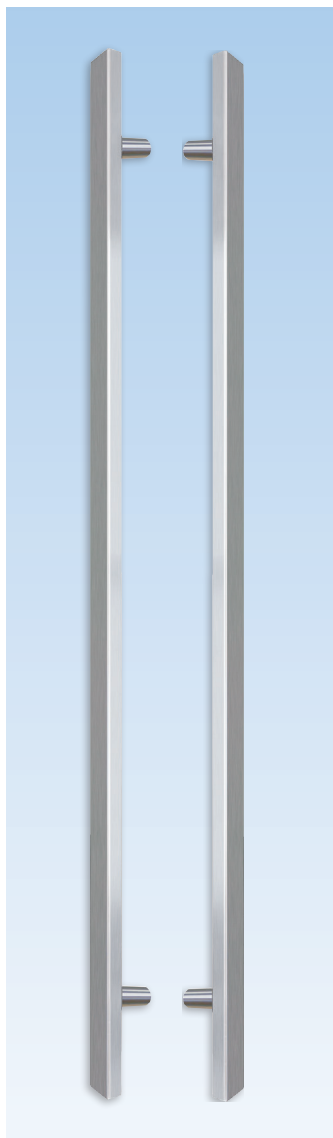
Additional information

- Made of stainless steel 316
- Fastening kit included with M8 screws for 1 3/4" up to 3 3/4" doors
- Bushing included in the kit



Push-Pull Angle Handle

Contemporary Rectangular



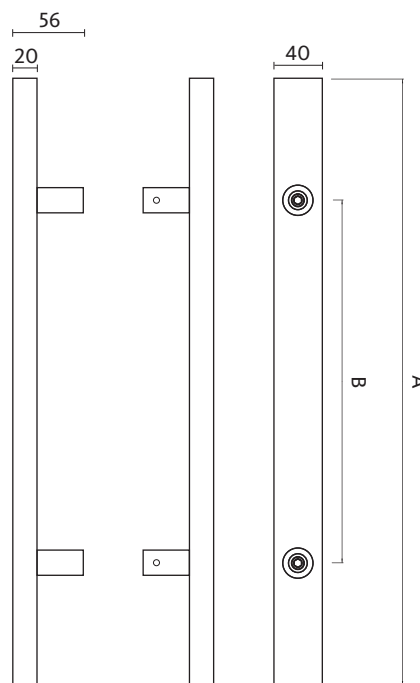
Rectangular Straight Handle

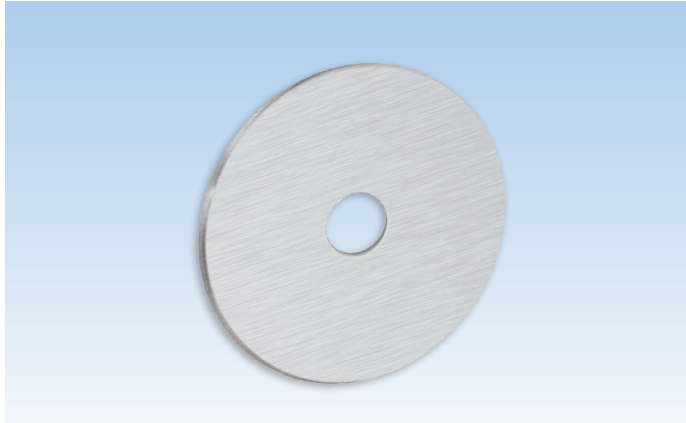
Description	PU	Part Number
Double pull bars Length (A) = 1200mm Fixing centers (B) = 1000mm	1	K-C0350-12-P-6
6 = Black	6	PU = Packaging Unit



Additional information

- Made of stainless steel
- Fastening kit included with M8 screws for 1 3/4" and 2 1/4" doors





Kit of Supporting Plate for Pull Bars

Description	Color	PU	Part Number
Kit of 4 round supporting plates for steel doors	Stainless Steel	1	K-C0960-00-0-8B
Kit of 4 round supporting plates for steel doors	Black	1	K-C0960-00-0-6
PU = Packaging Unit			



PEEK Cream Cleaner

Description	PU	Part Number
100mL tube	1	9-C9030-00-0-0
PU = Packaging Unit		

Additional information

- Cleans, polishes and protects the surface
- Leaves behind a light and invisible protective coating

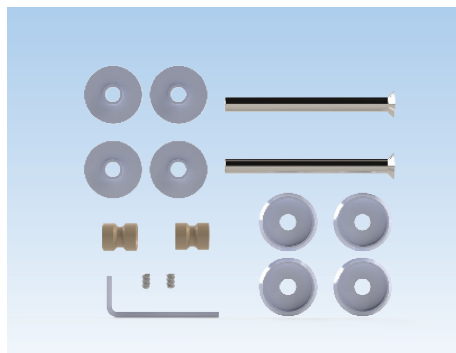


Kit of Roller Latch

Description	Color	PU	Part Number
Adjustable roller latch	Zinc	1	6-C0522-00-0-1
Adjustable roller latch	Black	1	6-C0522-00-0-6
PU = Packaging Unit			

Additional information

- Made of brass, zinc plated
- Adjustment for door gap
- Adjustment spring tension on roller
- Strike plate and 4 screws (#8 x 25.4mm) included for 1 3/4" doors

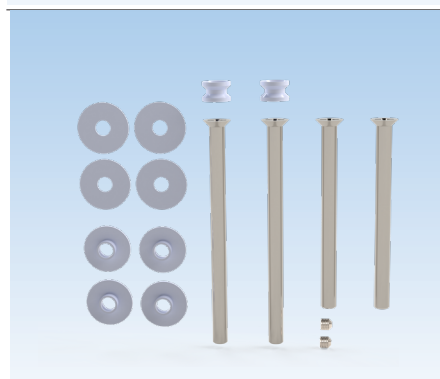


Replacement parts for Rectangular Handles

Description	Color	PU	Part Number
Kit of replacement part	Stainless Steel	1	6-C0535-00-0-8B
PU = Packaging Unit			

Additional information

- Use with K-C0350-12-P-6



Replacement parts for Rounded Straight Handles

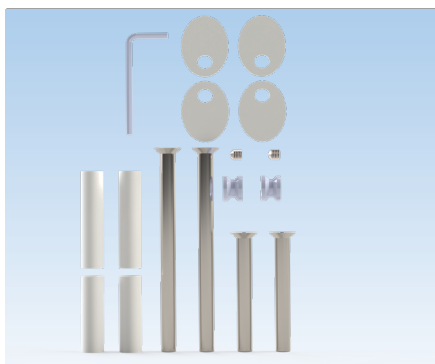
Description	Color	PU	Part Number
Kit of replacement part	Stainless Steel	1	K-C0341-KT-0-*
* = Color		PU = Packaging Unit	

8B = Stainless Steel, 6V = Matte Black



Additional information

- Use with K-C0341-*

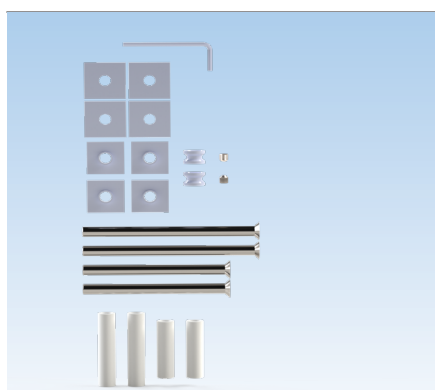


Replacement parts for Rounded 45 deg Handles

Description	Color	PU	Part Number
Kit of replacement part	Stainless Steel	1	K-C0343-KT-0-8B
PU = Packaging Unit			

Additional information

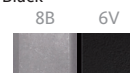
- Use with K-C0343-*



Replacement parts for square Handles

Description	Color	PU	Part Number
Kit of replacement part	Stainless Steel	1	K-C0346-KT-0-*
* = Color		PU = Packaging Unit	

8B = Stainless Steel, 6V = Matte Black



Additional information

- Use with K-C0346-*



Smart lock

Description	PU	Part Number
Universal module V3	1	6-C9403-00-0-0
PU = Packaging Unit		

Additional information

- 35mm x 40mm x 15mm, 14 grams
- Input 24V DC, 100mA
- Bluetooth 4.2 (Danalock app)
- Z-Wave (Automation hub)
- 256bit AES encryption level
- Compatible with A-opener and access controlled systems
- Refer to wire Diagram



Bluetooth keypad

Description	PU	Part Number
Danapad V3	1	6-C9407-00-0-X
* = Color		PU = Packaging Unit
1 = Silver, 6 = Black		



Additional information

- 4 X AAA batteries (included)
- Bluetooth 4.2
- 256bit AES encryption level
- Compatible with smart lock (Danalock V3) and Universal Module

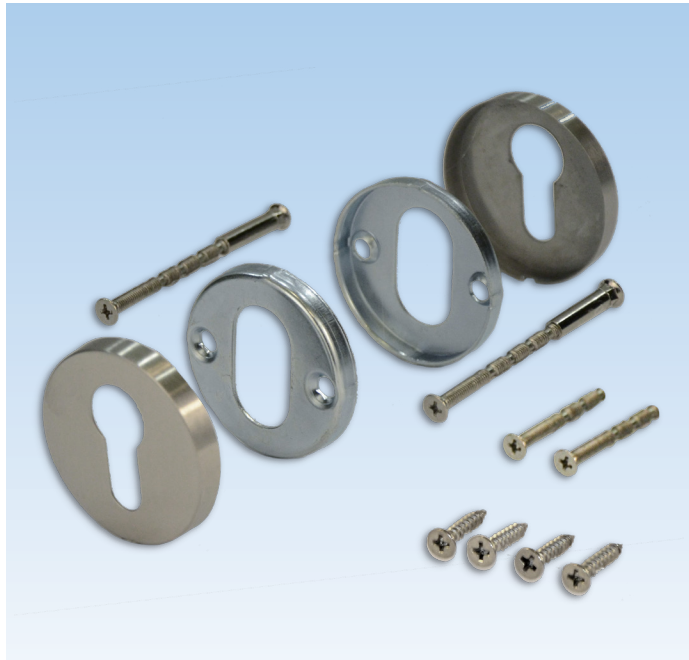


Danalock Remote Access

Description	PU	Part Number
Danabridge V3	1	6-C9402-00-0-0
PU = Packaging Unit		

Additional information

- 53 mm x 53 mm x 32 mm / Weighs 36 g
- USB power supply
- Add remote access to smart locks (Danalock or Universal Module)
- 2 Smart locks can be controlled with one Danabridge (via Bluetooth 4.2)
- Communication with Wi-Fi 802.11b/g/n



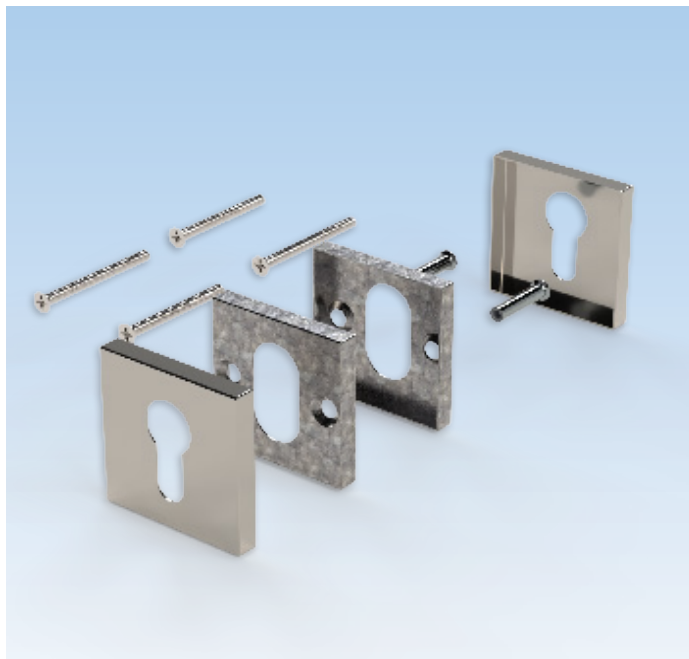
Round Rosettes

Description	PU	Part Number
Rosettes for profile cylinder	1	K-C9075-00-0-*
* = Color	PU = Packaging Unit	
8B = Stainless Steel, 6 = Black		



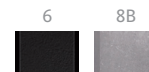
Additional information

- Rosettes made of stainless steel
- Fastening kit included for 1 3/4" and 2 1/4" doors
- Compatible with smart lock (Danalock V3)
- For 1 3/4" doors : use 64mm cylinder (6-U7401-64-0-*)
- For 2 1/4" doors : use 80mm cylinder (6-U7401-80-0-*)
- For 2 3/4" doors : cut to length 70mm screws (9-C0570-70-0-1) and 90mm cylinder (6-U7401-90-0-*)
- External Ø 53 mm x 7.5 mm



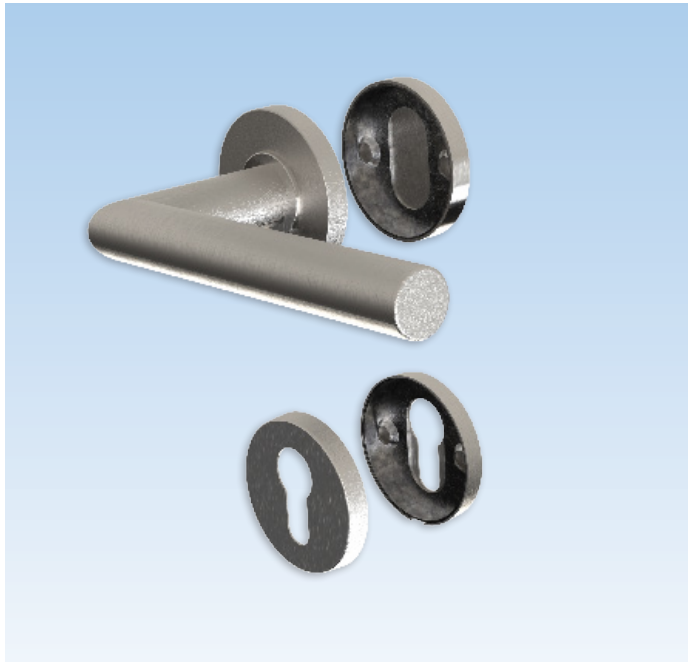
Square Rosettes

Description	PU	Part Number
Rosettes for profile cylinder	1	K-C9077-00-0-*
* = Color	PU = Packaging Unit	
8B = Stainless Steel, 6 = Black		



Additional information

- Rosettes made of stainless steel
- Fastening kit included for 1 3/4" and 2 1/4" doors
- Compatible with smart lock (Danalock V3)
- For 1 3/4" doors : use 64mm cylinder (6-U7401-64-0-*)
- For 2 1/4" doors : use 80mm cylinder (6-U7401-80-0-*)
- For 2 3/4" doors : cut to length 70mm screws (9-C0570-70-0-1) and 90mm cylinder (6-U7401-90-0-*)
- External Ø 53 mm x 7.5 mm



BELCANTO Half Handle Set and Rosettes

Description	PU	Part Number
Kit of inside handle with rosette and PZ rosette with outside blind rosette and PZ rosette	1	K-C9073-00-R/L-*

8 = Stainless Steel, 6 = Black

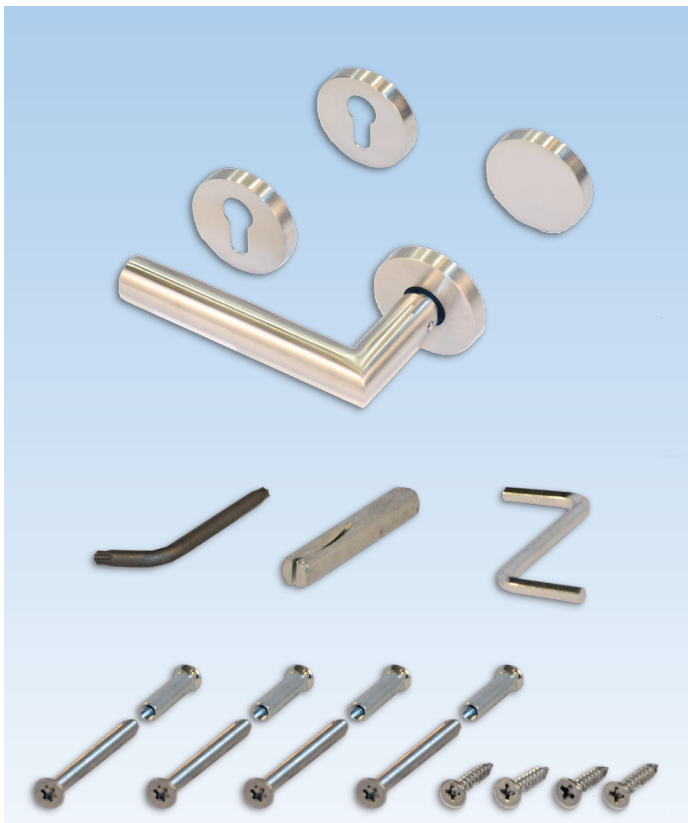
* = Color

PU = Packaging Unit



Additional information

- Fastening kit included for 1 3/4" and 2 1/4" doors
- 8mm square spindle x 70 mm
- For 1 3/4" doors : use 64mm cylinder (6-U7401-64-0-*)
- For 2 1/4" doors : use 80mm cylinder (6-U7401-80-0-*)
- For 2 3/4" doors : cut to length 70mm screws (9-C0570-70-0-1) and 90mm cylinder (6-U7401-90-0-*)
- Ø External 53 mm x 7.5 mm



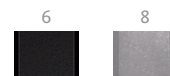
BELCANTO BKS Half Handle Set and Rosettes

Description	PU	Part Number
Kit of inside handle with rosette and PZ rosette with outside blind rosette and PZ rosette	1	K-C9072-00-0-*

8 = Stainless Steel, 6 = Black

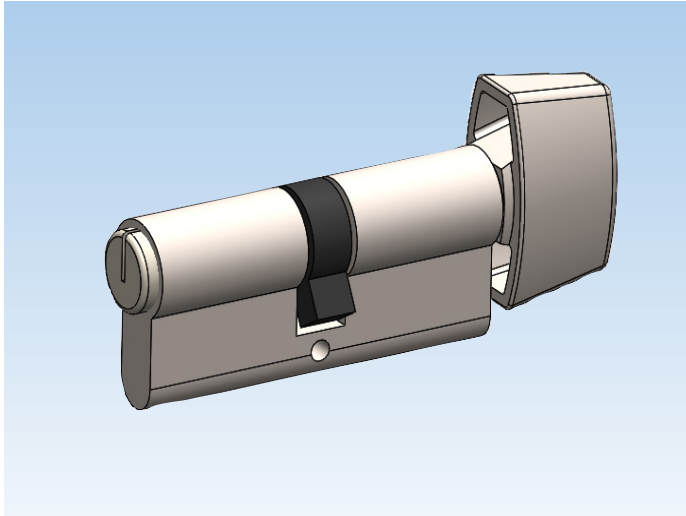
* = Color

PU = Packaging Unit



Additional information

- Handles and rosettes made of stainless steel
- Fastening kit included for 1 3/4" and 2 1/4" doors
- Fixed lever spring loaded - can't be lifted
- 8mm square spindle x 110 mm included
- 8mm square spindle x 115 mm included
- Concealed fixing screws
- Compatible with smart lock (Danalock V3)
- For doors thicker than 2 1/4" up to 3" : cut to length 70mm screws (9-C0570-70-0-1) and 130mm spindle (9-U8100-30-0-8)
- For 1 3/4" doors : use 70mm cylinder (6-U7401-70-0-*)
- For 2 1/4" doors : use 80mm cylinder (6-U7401-80-0-*)
- External Ø 55 mm x 9 mm



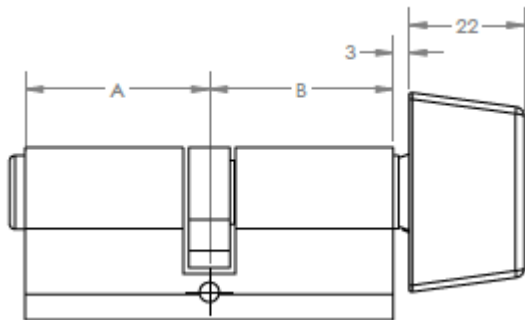
Profile cylinders

Description	A	B	PU	Part Number
32/32 Cylinder	32	32	1	6-U7401-64-0-*
35/35 Cylinder	35	35	1	6-U7401-70-0-*
40/40 Cylinder	40	40	1	6-U7401-80-0-*
45/45 Cylinder	45	45	1	6-U7401-90-0-*
50/50 Cylinder	50	50	1	6-U7401-00-0-11
10/40 Cylinder Thumbturn	10	40	1	6-U7402-40-0-11
10/45 Cylinder Thumbturn	10	45	1	6-U7402-45-0-11
Rekeying kit for Ferco Schlage keyway			1	K-C4332-00-0-0

11 = Satin Nickel, 6 = Black

* = Color

PU = Packaging Unit



Additional information

- Refer to rosette to select cylinder length
- For keyed alike profile cylinder add 9-C9995-00-0-0
- 3 keys included
- 70mm screw for backset up to 65mm (Cut to length)
- Schlage Keyway type "C" 5 pins

Strike Plates

Bag of Strike Plates



Bag of Strike Plates

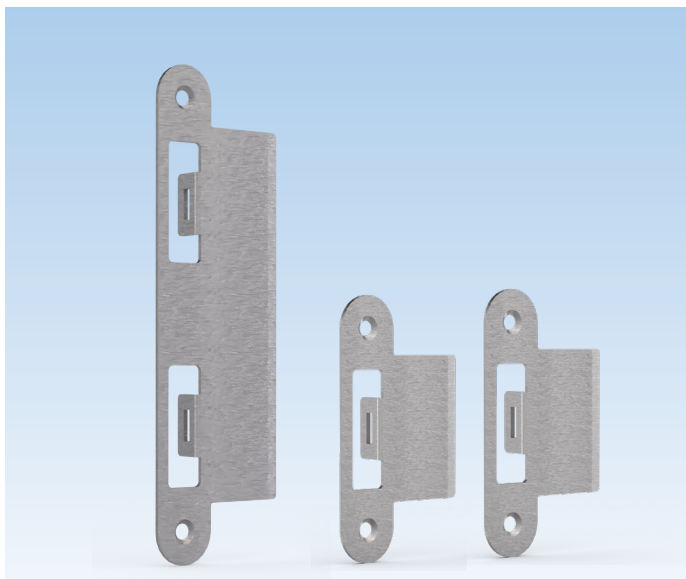
Description	Color	PU	Part Number
Bag of strike plates for 45mm (1 3/4") thick doors	Satin Nickel	50	K-C4774-45-0-*
Bag of strike plates for 57mm (2 1/4") thick doors	Satin Nickel	50	K-C4775-57-0-*

11 = Satin Nickel, 6 = Black * = Color PU = Packaging Unit



Additional information

- Made of stainless steel
- Bag contains:
 - 1 middle strike plate
 - 2 top and bottom strike plates
 - 6 screws
- Non-handed
- With clear protective film
- Available in handle matching finishes
- For SECURY Automatic door locks



Bag of Strike Plates

Description	PU	Part Number
Bag of strike plates for 76mm (3") thick doors	1	K-C4777-59-0-*

* = Color PU = Packaging Unit

8B = Stainless Steel

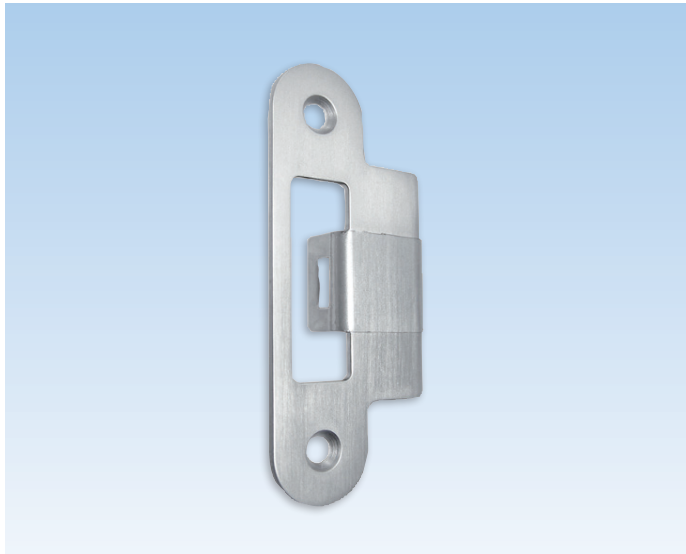


Additional information

- Made in stainless steel
- Bag contains:
 - 1 middle striker with extended lip
 - 2 top and bottom strikers with extended lip
- Non-handed
- For use with GU-SECURY Automatic door locks

Strike Plates

for Door Lock



Striker with Extended Lip

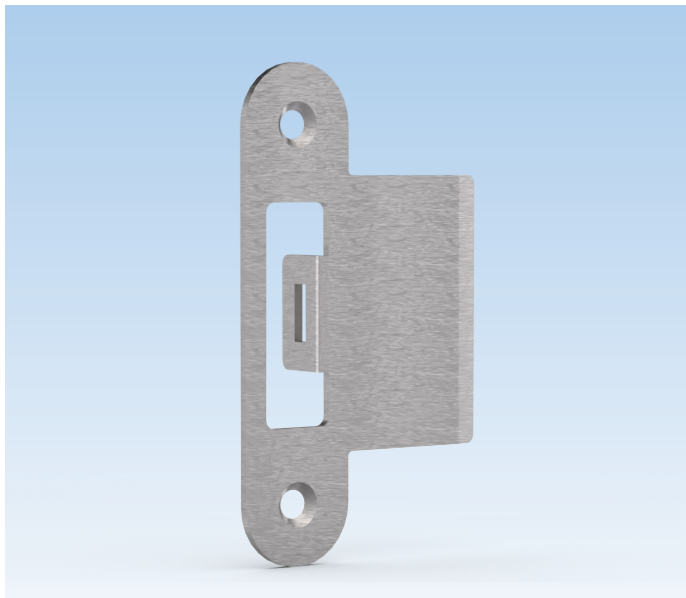
Description	PU	Part Number
Latchbolt strike plate for 45mm (1 3/4") thick doors	10	9-C4776-45-0-*
Latchbolt strike plate for 57mm (2 1/4") thick doors	10	9-C4776-57-0-*

11 = Satin Nickel, 6 = Black * = Color PU = Packaging Unit



Additional information

- Made of stainless steel
- Non-handed
- With clear protective film
- Two #8 x 5/8 FH/PH screws included
- For use with Automatic extension



Top and Bottom Striker with Extended Lip

Description	PU	Part Number
Latchbolt strike plate for 76mm (3") thick doors	10	9-C4716-59-0-*

* = Color PU = Packaging Unit

8B = Stainless Steel

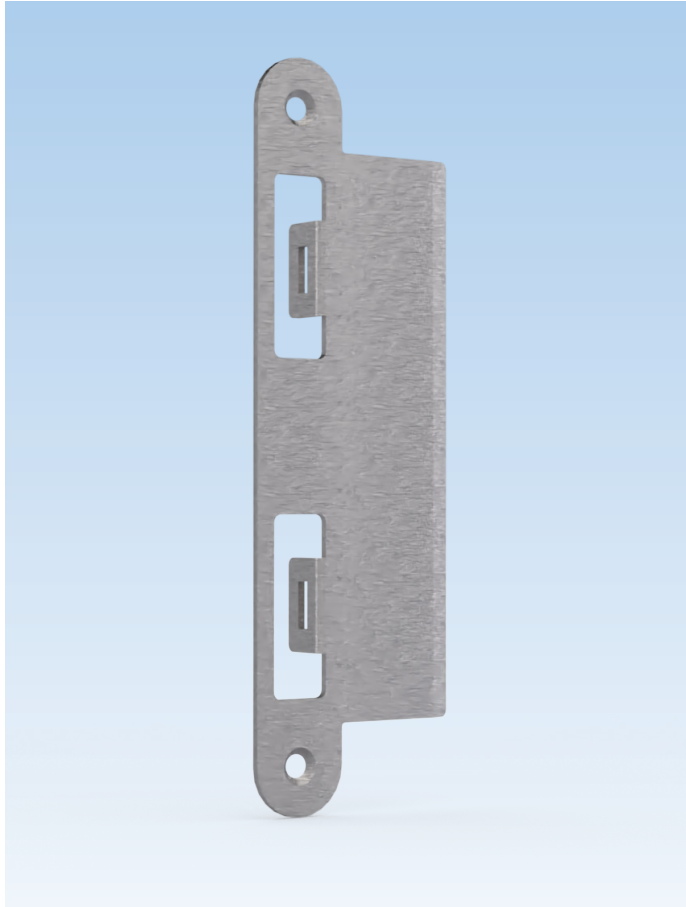


Additional information

- Made in stainless steel
- Non-handed
- Two #8 x 5/8 FH/PH screws included
- For use with GU-SECURY Automatic door lock

Strike Plates

for Door Lock



Middle Striker with Extended Lip

Description	PU	Part Number
Latch and deadbolt strike plate for 76mm (3") thick doors	10	9-C4717-59-0-*

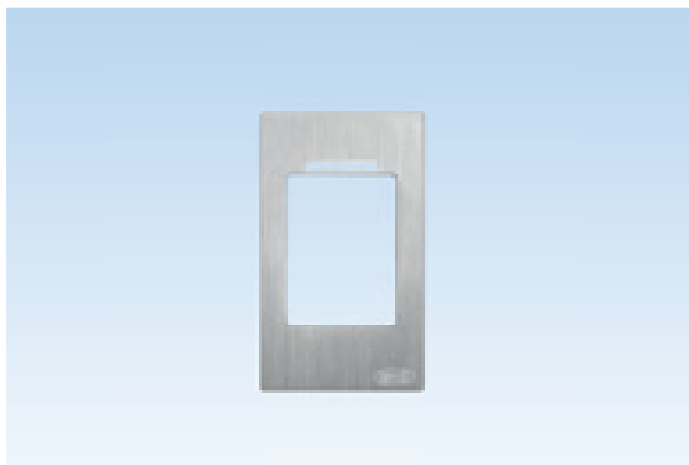
* = Color PU = Packaging Unit

8B = Stainless Steel



Additional information

- Made in stainless steel
- Non-handed
- Two #8 x 5/8 FH/PH screws included
- For use with GU-SECURY Automatic door lock



Substitute Faceplate

Description	Color	PU	Part Number
Substitute faceplate	Stainless steel	1	B-55606-00-1-1
PU = Packaging Unit			

Additional information

- Made of Stainless steel
- Replacement part for K-C5560-20-4-8 and K-C5560-23-4-8



Dust Cup with Edge

Description	Color	PU	Part Number
Plastic cup - 25mm	Black	10	9-C4765-00-0-6
Plastic cup - 15mm	Black	10	9-C4765-0A-0-6
PU = Packaging Unit			

Additional information

- Use for latch and 2 automatic latches (optional)
- Dimensions for plastic cup - 25mm:
 - Length: 62mm
 - Width: 19.5mm
 - Depth: 25.8mm
- Dimensions for plastic cup - 15 mm:
 - Length: 62mm
 - Width: 19.5mm
 - Depth: 16mm

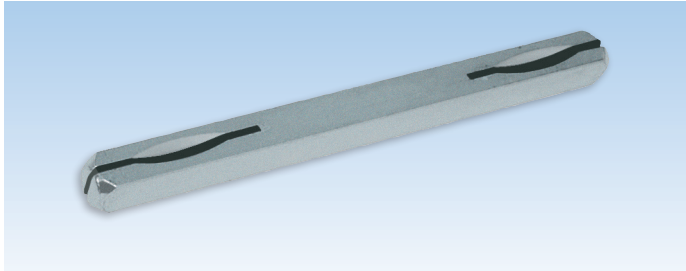


Fastening Screws

Description	Color	PU	Part Number
D1 screws	Stainless Steel	1000	9-C5362-32-0-8
PU = Packaging Unit			

Additional information

- Stainless steel lock fastening screws
- Type D1 with self-drilling spiral point and high duplex thread with "Quadrex" socket
- Sharp tip for quick drive



8mm Spindle			
Description	Color	PU	Part Number
8 x 8 x 120mm spindle for 41-57mm thick doors <i>(1 spindle is supplied with door handle kit)</i>	Zinc	10	9-U8100-20-0-8
8 x 8 x 130mm spindle for 57-76mm thick doors	Zinc	10	9-U8100-30-0-8
PU = Packaging Unit			



Torx 15 T-Key			
Description	Color	PU	Part Number
Torx key	Steel	1	H-00346-15-0-0
PU = Packaging Unit			

Additional information

- Used for connecting SH2 and Automatic extensions



4mm Allen T-Key			
Description	Color	PU	Part Number
Allen key	Steel	1	H-00345-04-0-0
PU = Packaging Unit			

Additional information

- Used for reversing Automatic latchbolts on GU-SECURY Automatic lock and extension

Accessories

For Door Lock



Construction Key

Description	Color	PU	Part Number
Construction 7,8,10mm	Black	10	9-U0001-01-0-0
PU = Packaging Unit			

Additional information

The construction key is available for those who prefer to install the decorative hardware trim and lever sets on doors after the construction has been completed. Installing the escutcheon plates and levers in the final stage of construction prevents the decorative trim from becoming scratched or damaged.

The construction key has been designed to accommodate multipoint door hardware (8mm square), tilt-turn hardware (7mm square) and lift-slide hardware (10mm square).



Construction Key

Description	Color	PU	Part Number
Key Tool Cylinder Length	Red	1	B 3539 0111
PU = Packaging Unit			

Additional information

The construction key is available for those who prefer to install the decorative hardware trim and lever sets on doors after the construction has been completed. Installing the escutcheon plates and levers in the final stage of construction prevents the decorative trim from becoming scratched or damaged.

Used to operate the multipoint door hardware through the profile cylinder opening, and to measure the profile cylinder length required from the side scale.



WINDOW TECHNOLOGY
DOOR TECHNOLOGY
AUTOMATIC ENTRANCE SYSTEMS
BUILDING MANAGEMENT SYSTEMS

HEAD OFFICE

Ferco Architectural Hardware Inc.
2000, Berlier St.
Laval, QC H7L 4S4
Tel.: 450 973-1437
1 800 355-8810
Fax: 450 973-7661
ferco@ferco.ca

ONTARIO / WESTERN PROVINCES

Tel.: 905 282-9588
1 800 668-5310
Fax: 905 282-9915

UNITED STATES

Tel.: 1 800 927-1097
Fax: 1 888 454-0161

www.ferco.ca

Edition 05.2022 | Printed in Canada



Securing technology for you

