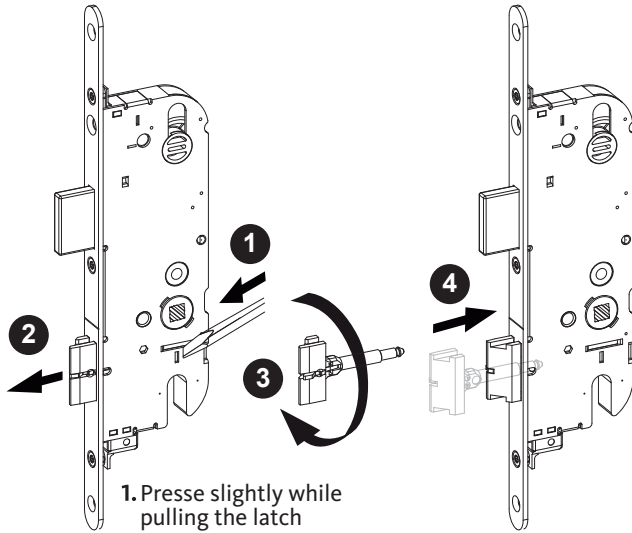
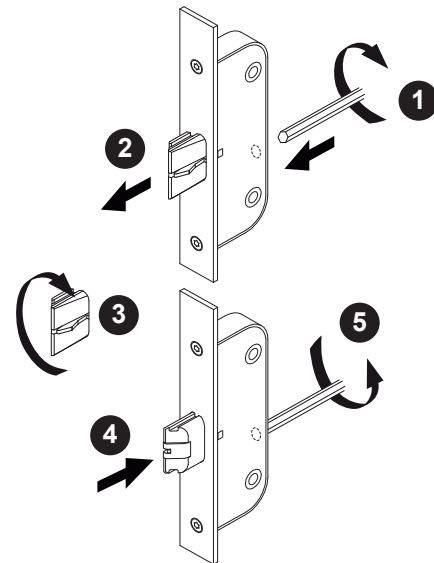




REVERSE LATCH (Use flathead screwdriver)



REVERSE AUTOMATIC LATCH (Use 4mm Allen T-key H-00345-04-0-0)



CONNECT SH2 & AUTOMATIC EXTENSIONS TO DOOR LOCK (Use Torx 15 T-key H-00346-15-0-0)

