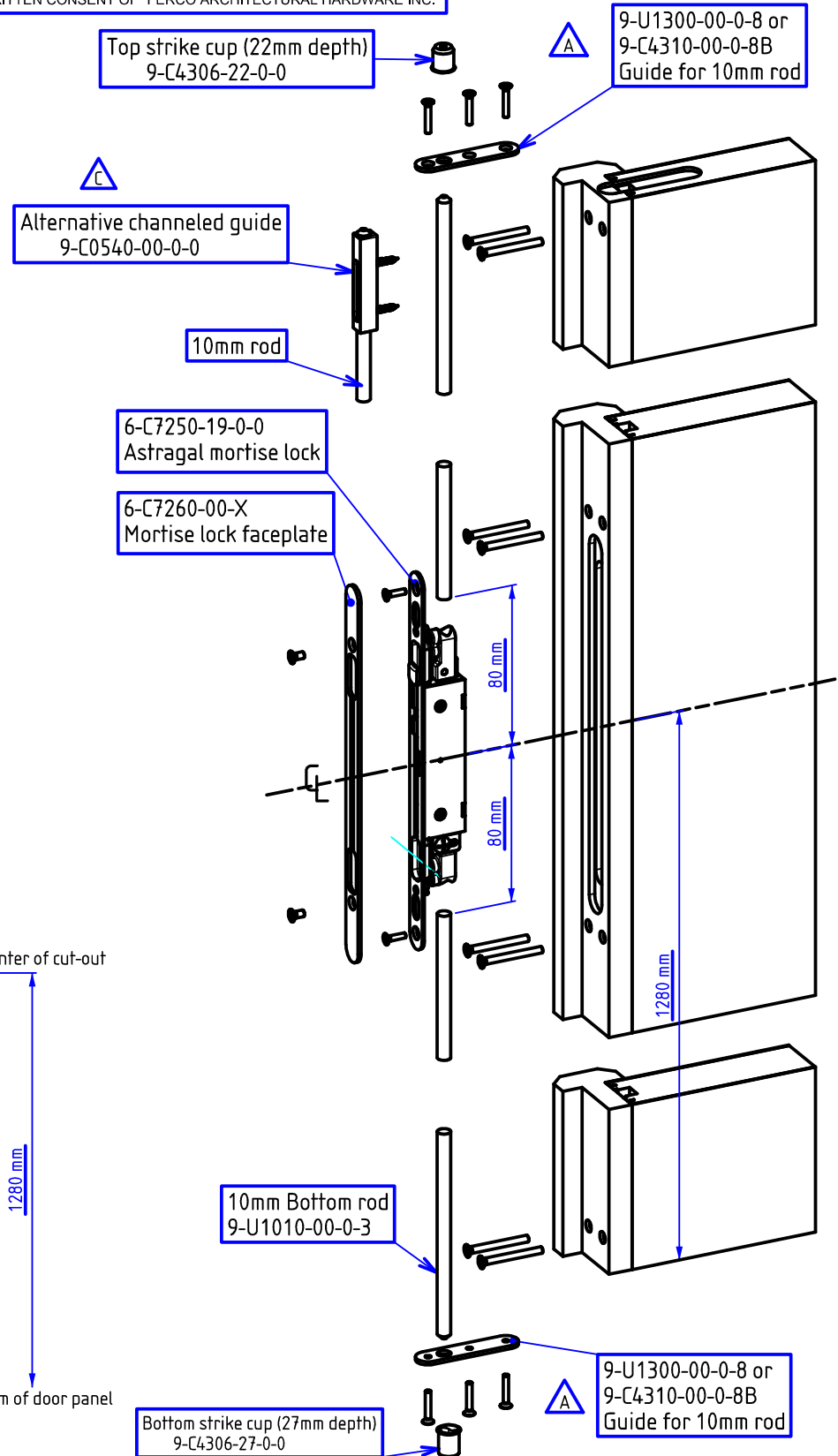
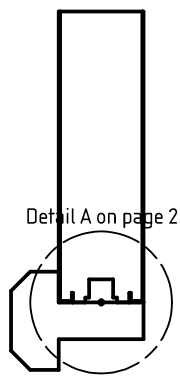
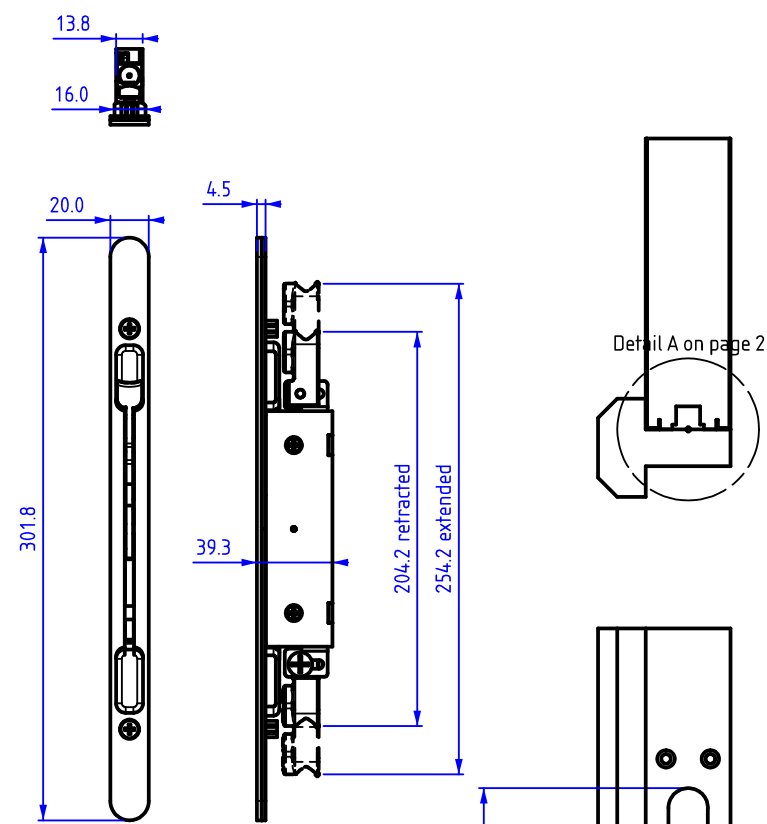


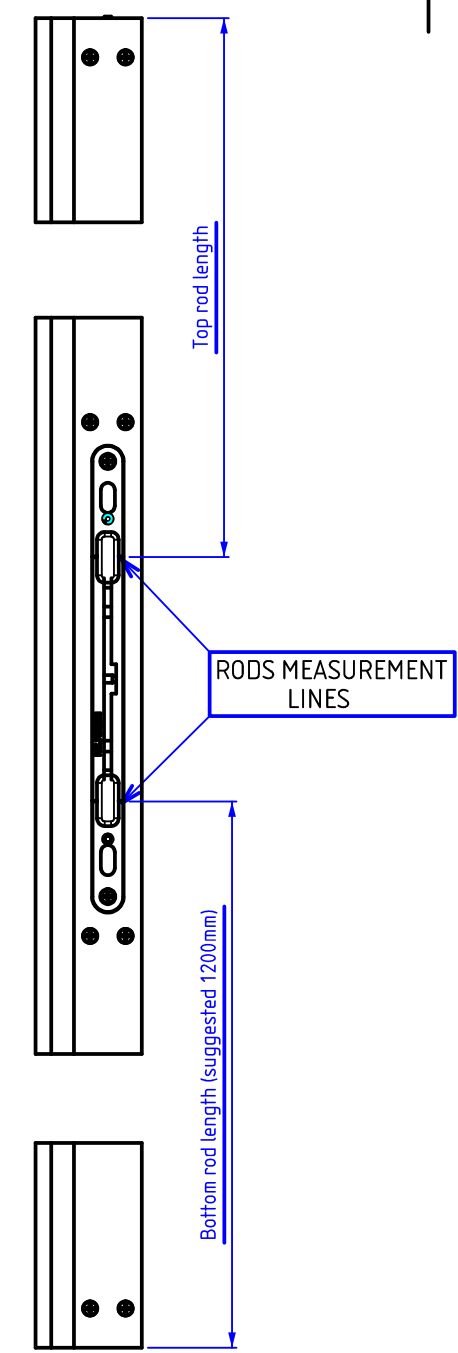
LES INFORMATIONS CONTENUES DANS CE DESSIN SONT CONFIDENTIELLES ET SONT LA PROPRIÉTÉ EXCLUSIVE DE "FERCO FERRURES DE BÂTIMENT INC.". AUCUNE REPRODUCTION, UTILISATION, DISTRIBUTION OU VENTE À UN TIER N'EST AUTORISÉE SANS LE CONSENTEMENT ÉCRIT DE "FERCO FERRURES DE BÂTIMENT INC.".

THE INFORMATION CONTAINED IN THIS DRAWING IS CONFIDENTIAL AND IS THE EXCLUSIVE PROPERTY OF "FERCO ARCHITECTURAL HARDWARE INC.". ANY REPRODUCTION, USE, DISTRIBUTION OR SALE TO A THIRD PARTY IS NOT AUTHORIZED WITHOUT THE WRITTEN CONSENT OF "FERCO ARCHITECTURAL HARDWARE INC."

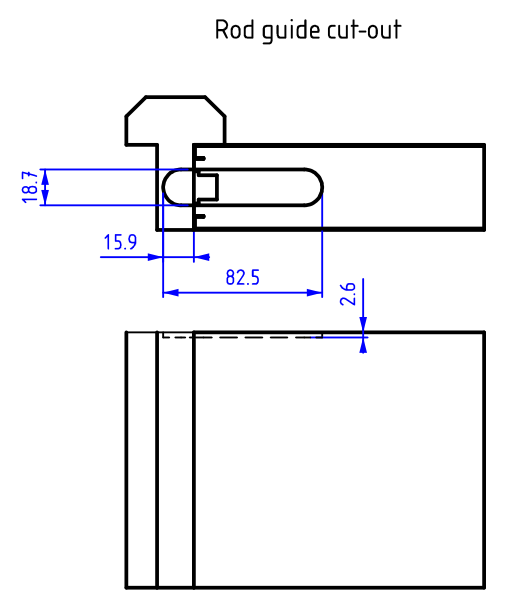


MARK LINES

RODS LENGTH MEASUREMENT



COMPOSANTES RELIÉES - ADJOINING PARTS			
QTE	NO ITEM	NO REFERENCE	DESCRIPTION



RODS LENGTH CALCULATION:

We recommend to use the rod number 9-U1010-00-0-3 for the bottom rod. The center of astragal mortise lock will be located at 1280mm from bottom of door panel.

For the top rod, measure the center of the astragal mortise lock to the top of the door panel. Reduce this length by 80mm will give you the top rod dimension. You may have to recut the rod to fit your door height.

Available rods	Length
9-U1010-00-0-3	1200 mm (47 1/4")
9-C5212-00-0-3	641 mm (25 1/4")
9-C5214-00-0-3	1047 mm (41 1/4")
9-U1012-00-0-3	654 mm (25 3/4")
9-U1015-00-0-3	1619 mm (63 3/4")

Door prep. jig: K-C8894-00-0-0

Toutes dimensions en millimètres - All dimensions in millimeters

NOTES GÉNÉRALES / GENERAL NOTES	APPLICABLE TOLERANCES APPLICABLES	REV.	DESCRIPTION	DATE	PAR/BY
-	0,5mm - 3,0mm => ±0,15mm	B	Details added	Feb. 11, 2014	SD
-	3,0mm - 6,0mm => ±0,3mm	C	Guide added, measurement lines added	May 5th, 2014	SD
-	6,0mm - 30mm => ±0,4mm	D	9-C5214-00-0-3 added	July 18th, 2016	SD
-	30mm - 120mm => ±0,5mm	-	-	-	-
-	120mm - 300mm => ±0,6mm	-	-	-	-
-	300mm - 1000mm => ±1,00mm	-	-	-	-
-	1000mm + => ±1.5mm	-	-	-	-

FERCO **GU** **BKS**

FERRURES DE BÂTIMENT INC. / ARCHITECTURAL HARDWARE INC.
2000 rue BERLIER, CHOMEDEY, LAVAL, Qc. H7L 4S4
TÉL.: (450) 973 - 1437 FAX.: (450) 973 - 7661 1-800-355-8810

RÉFÉRENCE / REFERENCE

MATÉRIAU/MATERIAL: FINI/FINISH:

CLIENT / CUSTOMER	
PROJET / PROJECT Adjustable Astragal Mortise Lock - Cut-out (1/2)	
DESSINÉ par / DRAWING by: S.Dery	DATE 23/05/2012
ÉCHELLE / SCALE 1:4	NUMÉRO / NUMBER REV. D