



03T.1

SECURY SH2 DOOR LOCK & LEVER HANDLE

SECURY SH2 45mm x 1590mm	03T.1.3
SECURY SH2 45mm x 1900mm.....	03T.1.4
SECURY SH2 50mm x 1590mm	03T.1.5
SECURY SH2 50mm x 1900mm	03T.1.6
SECURY SH2 60mm x 1590mm.....	03T.1.7
SECURY SH2 60mm x 1900mm	03T.1.8
Extension for 10' door.....	03T.1.9

Solid Brass / Zamac Handle Set Dimensions with 45mm Plate

Capri Handle & 45mm Plate Series	03T.1.10
Torino Handle & 45mm Plate Series	03T.1.11
Venice Handle & 45mm Plate Series	03T.1.12

Solid Brass Handle Set Dimensions with 30mm Plate

Allegro Handle & 30mm Plate Series	03T.1.13
Torino Handle & 30mm Plate Series	03T.1.14
Venice Handle & 30mm Plate Series.....	03T.1.15

Zamac Handle Set Dimensions with 30mm Plate

Allegro Handle & 30mm Plate Series	03T.1.16
Torino Handle & 30mm Plate Series	03T.1.17
Venice Handle & 30mm Plate Series.....	03T.1.18

Handle Set Cutout (Handle Below)	
CNC Version	03T.1.19
Handle Set Cutout (Handle Below)	
Hand Drilling Version	03T.1.20
Keepers	03T.1.21
Accessories	03T.1.22



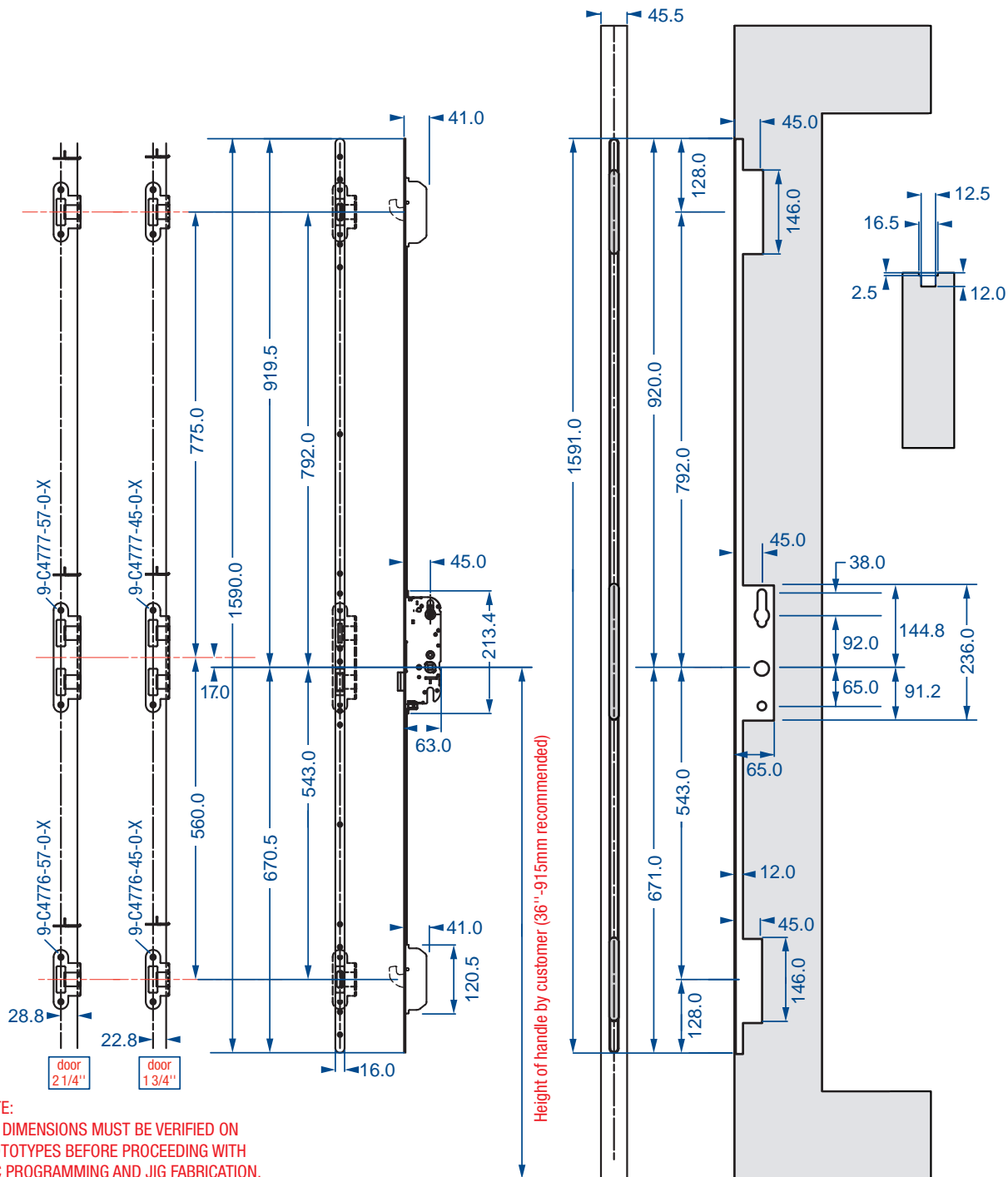
Door Multi-point Locking System

SECURY SH2 Door Lock for Below Lever Handle



SECURY SH2 (45mm x 1590mm)

Description	Part Number
6' 8" door with 45mm backset	6-33935-02-0-8B



NOTE:
ALL DIMENSIONS MUST BE VERIFIED ON
PROTOTYPES BEFORE PROCEEDING WITH
CNC PROGRAMMING AND JIG FABRICATION.

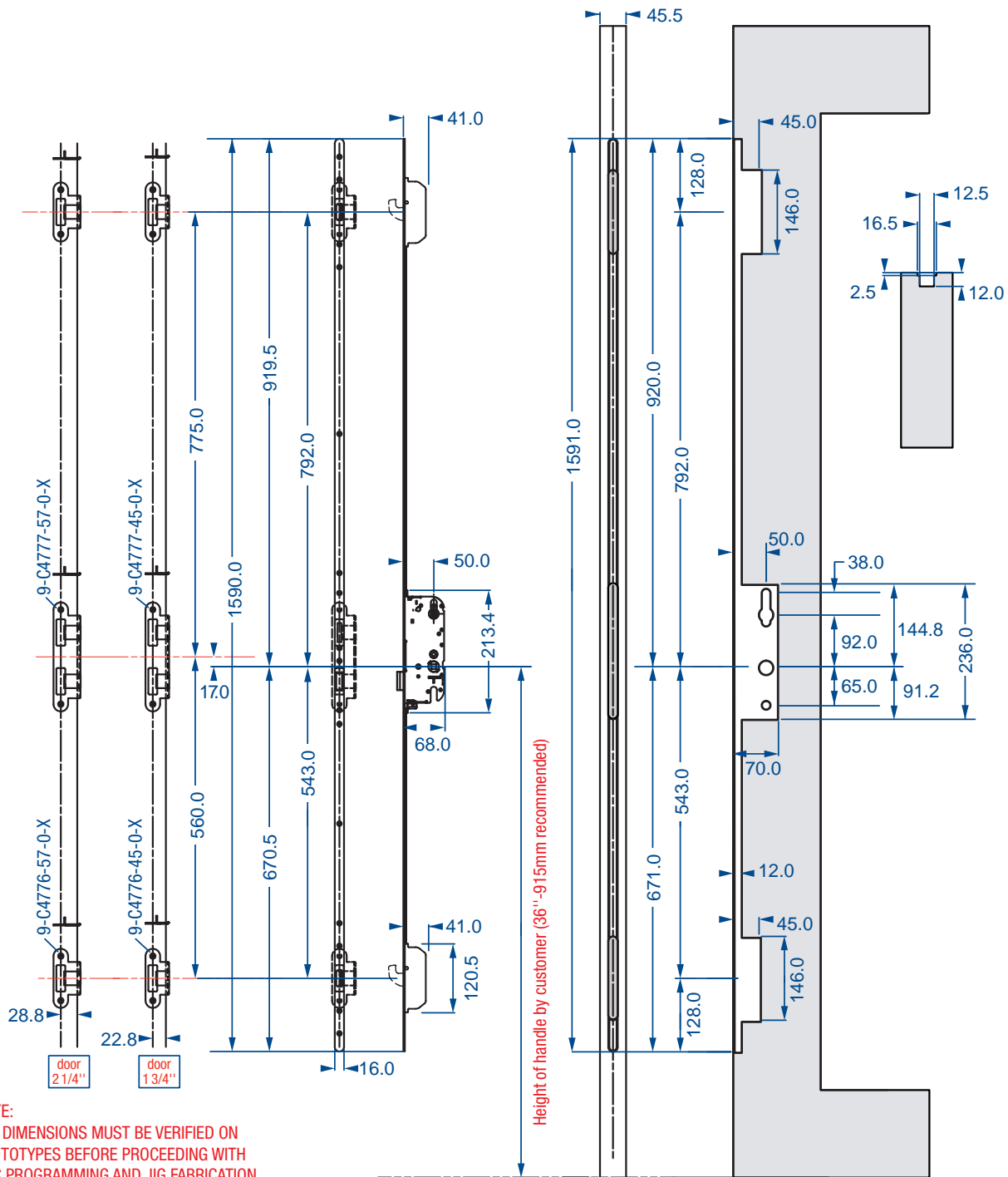
Door Multi-point Locking System

SECURY SH2 Door Lock for Below Lever Handle



SECURY SH2 (50mm x 1590mm)

Description	Part Number
6' 8" door with 50mm backset	6-33935-04-0-8B



NOTE:
ALL DIMENSIONS MUST BE VERIFIED ON
PROTOTYPES BEFORE PROCEEDING WITH
CNC PROGRAMMING AND JIG FABRICATION.

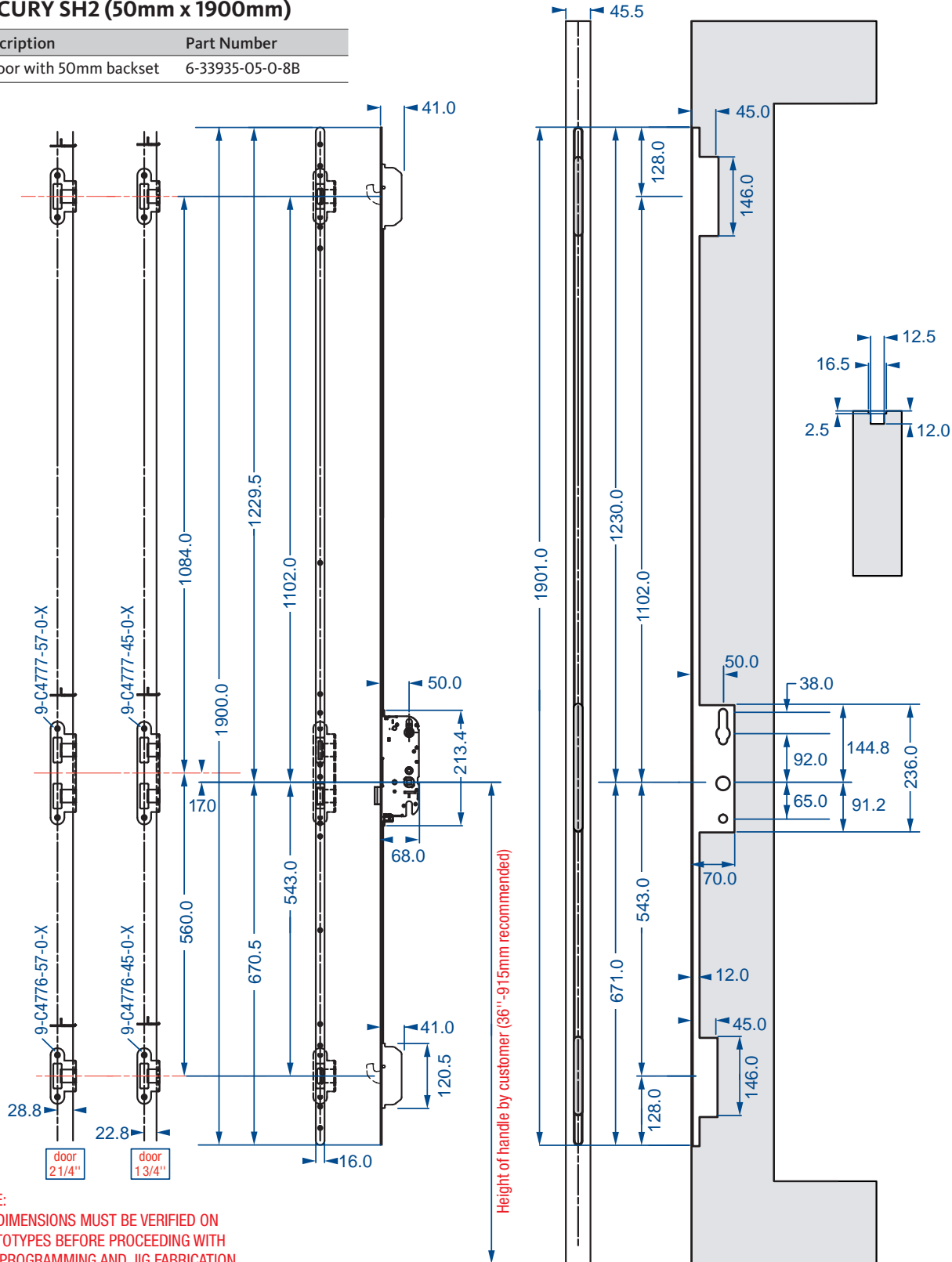
Door Multi-point Locking System

SECURY SH2 Door Lock for Below Lever Handle



SECURY SH2 (50mm x 1900mm)

Description	Part Number
8' door with 50mm backset	6-33935-05-0-8B



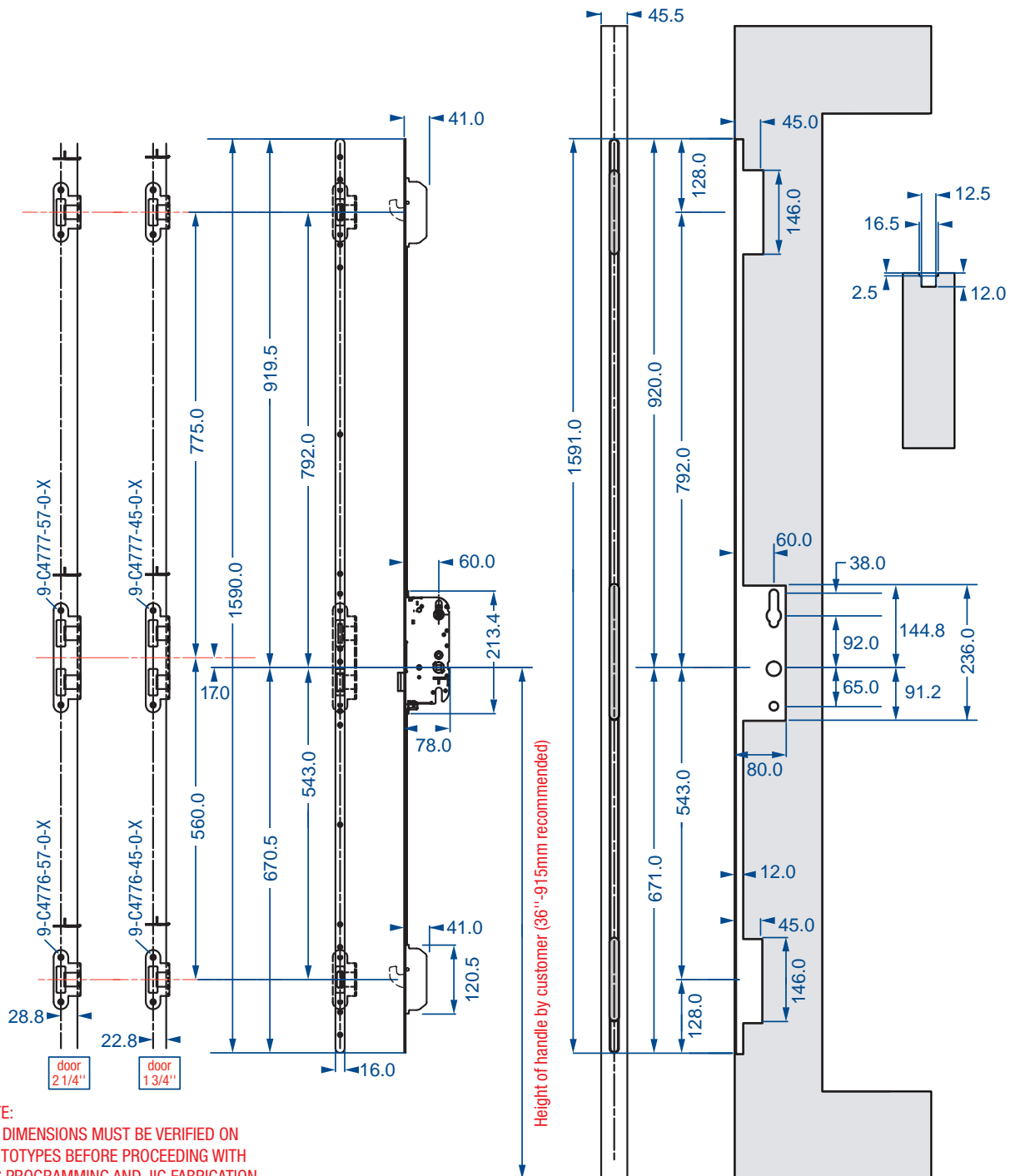
Door Multi-point Locking System

SECURY SH2 Door Lock for Below Lever Handle



SECURY SH2 (60mm x 1590mm)

Description	Part Number
6' 8" door with 60mm backset	6-33935-06-0-8B



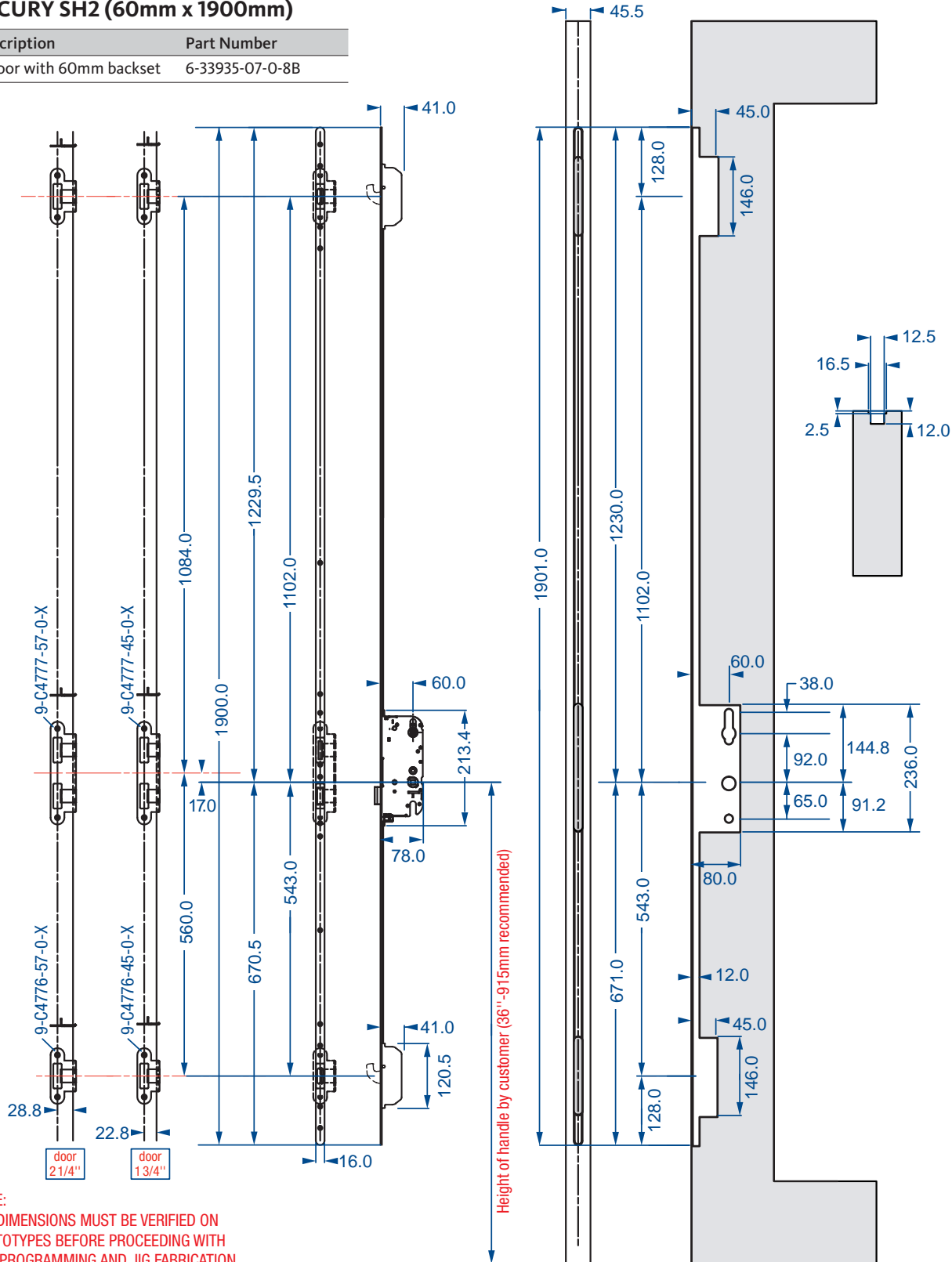
Door Multi-point Locking System

SECURY SH2 Door Lock for Below Lever Handle



SECURY SH2 (60mm x 1900mm)

Description	Part Number
8' door with 60mm backset	6-33935-07-0-8B



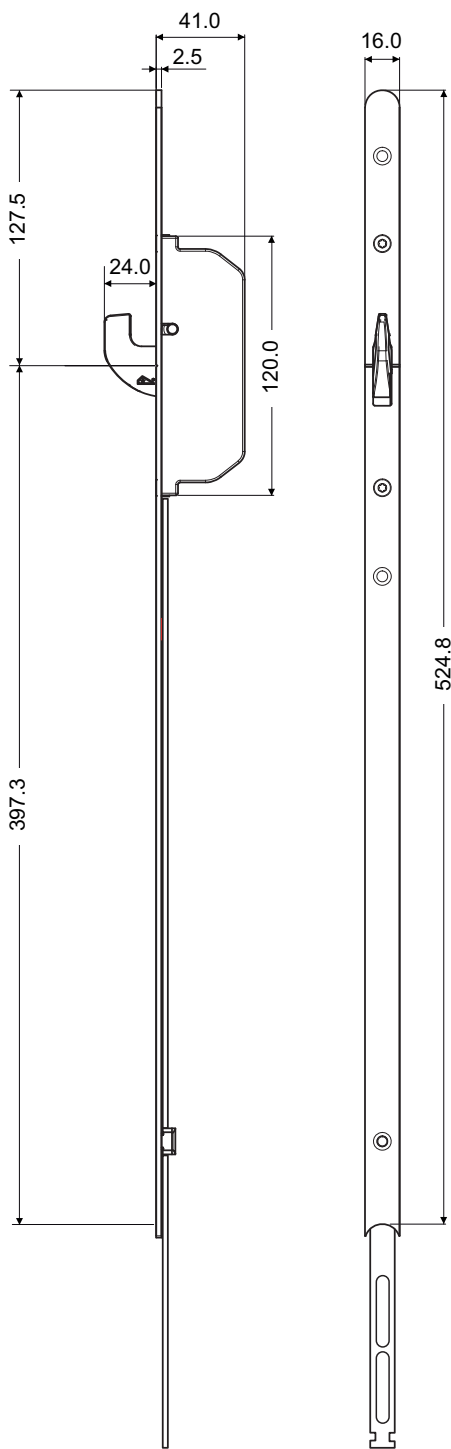
Door Multi-point Locking System

Extensions for SECURY SH2 Door Lock



Extension with SH2 Lock Point

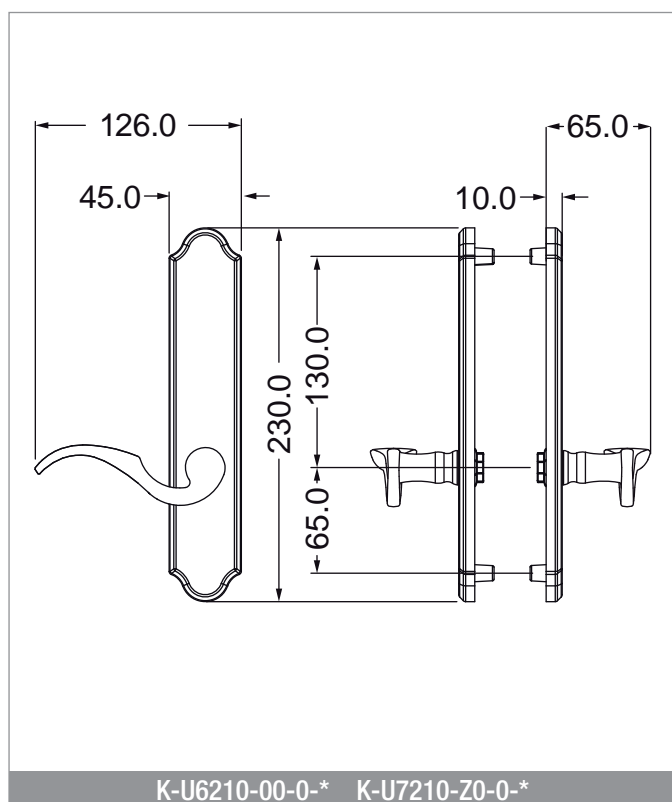
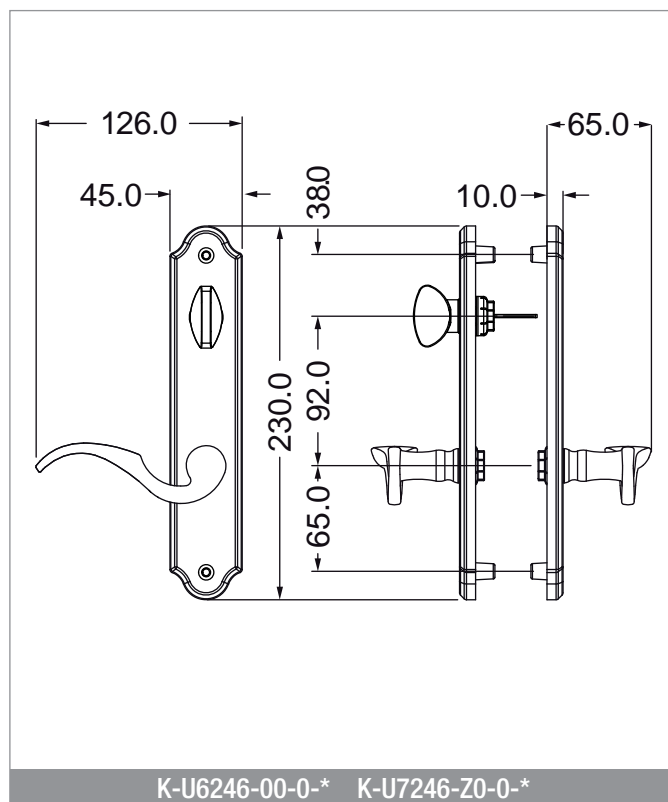
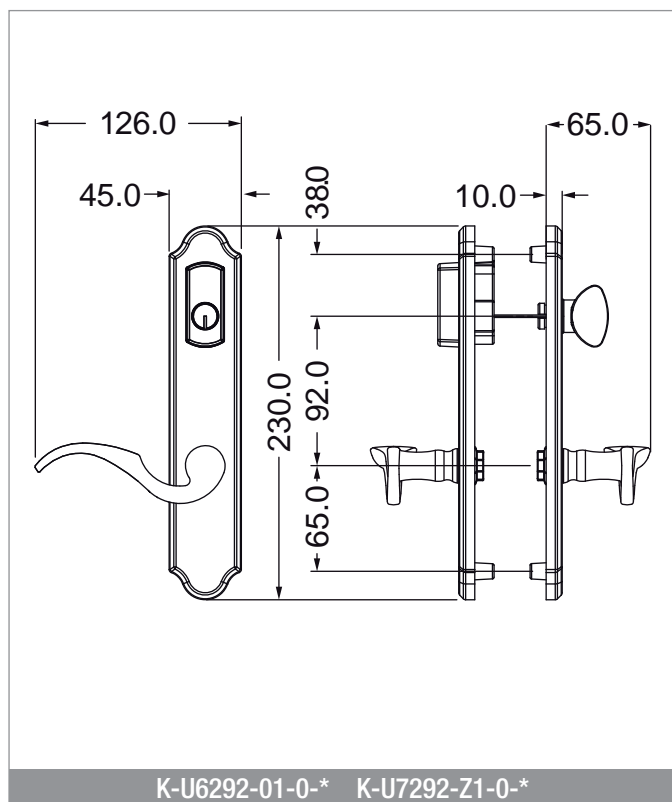
Description	Part Number
Extension for 10' door	6-36062-04-0-8B



NOTE: To be used with SECURY SH2 Eurocylinder Door Locks

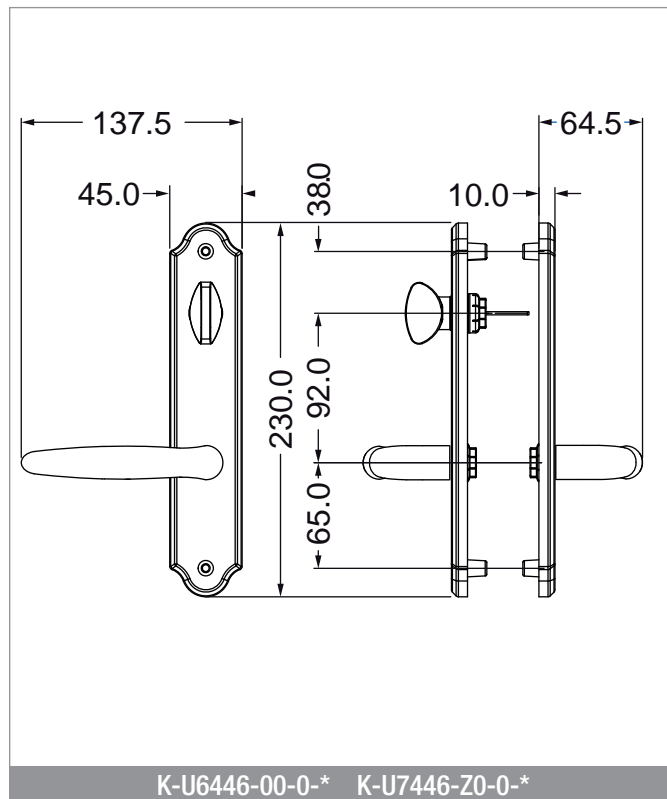
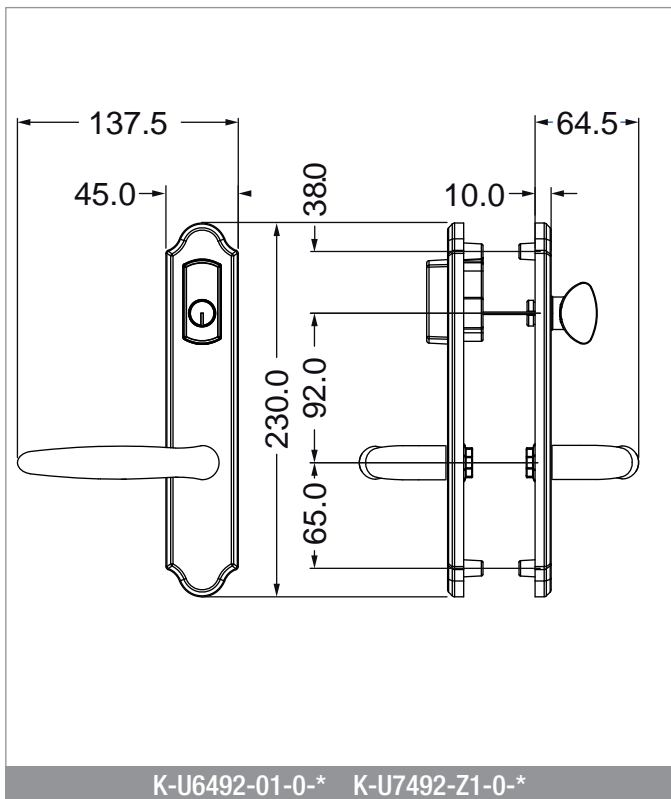
Door Multi-point Locking System

Handle Set Dimensions for Capri Handle & 45mm Plate Series

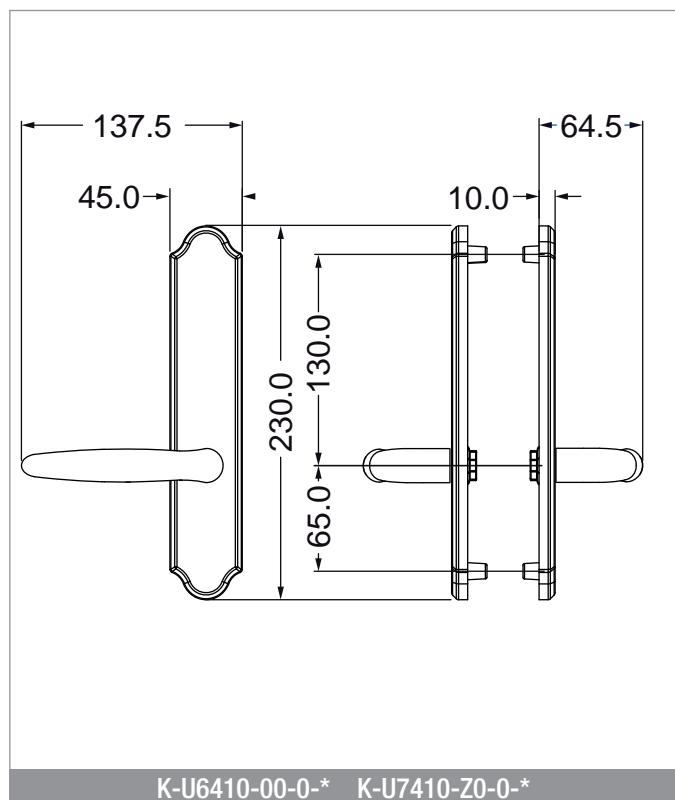


Door Multi-point Locking System

Handle Set Dimensions for Torino Handle & 45mm Plate Series

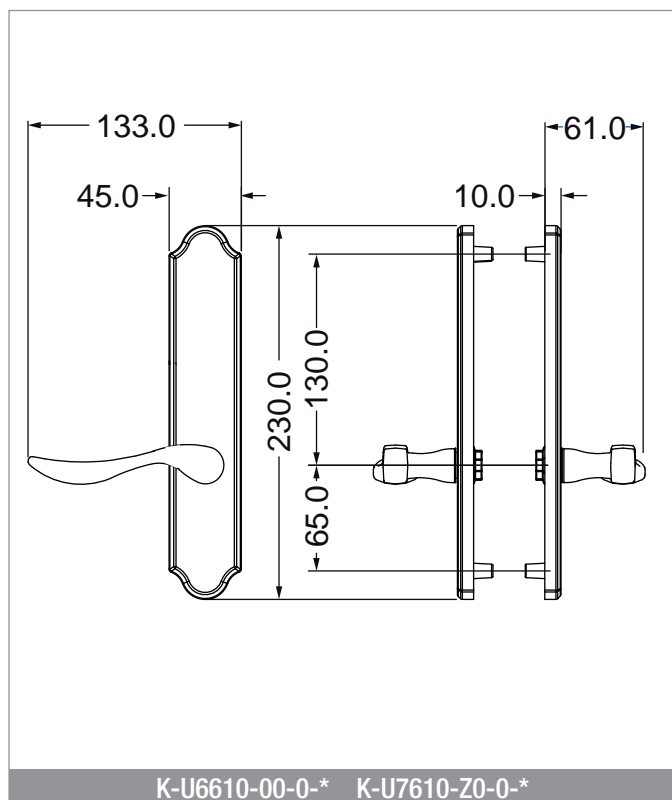
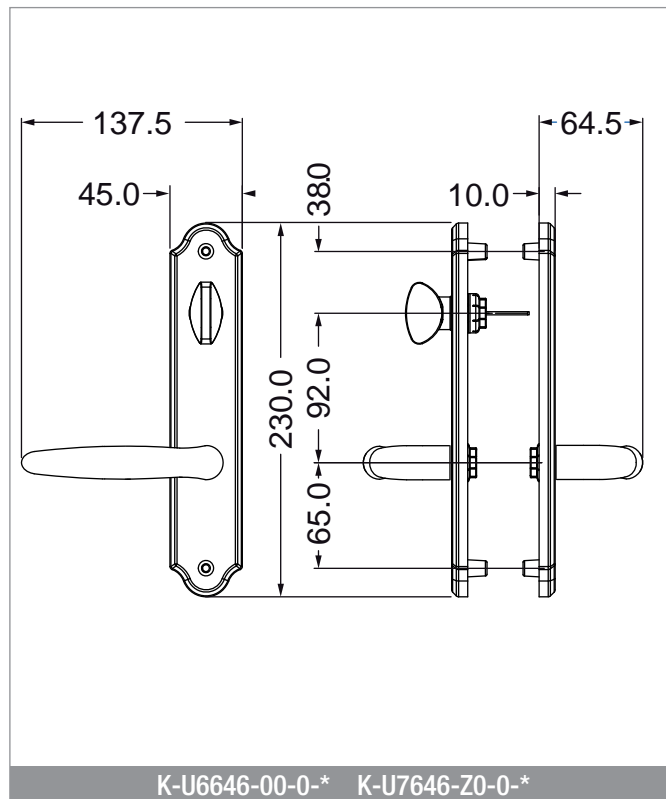
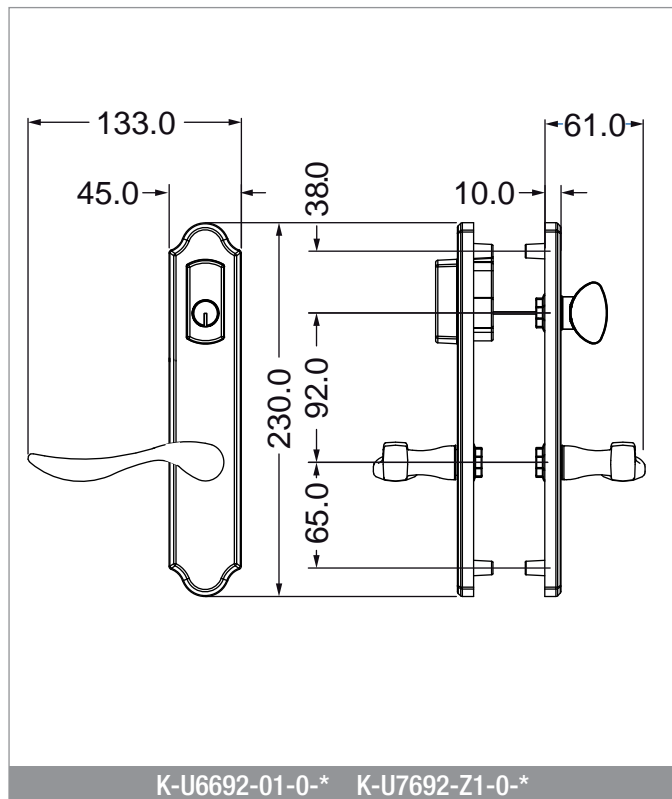


03
1



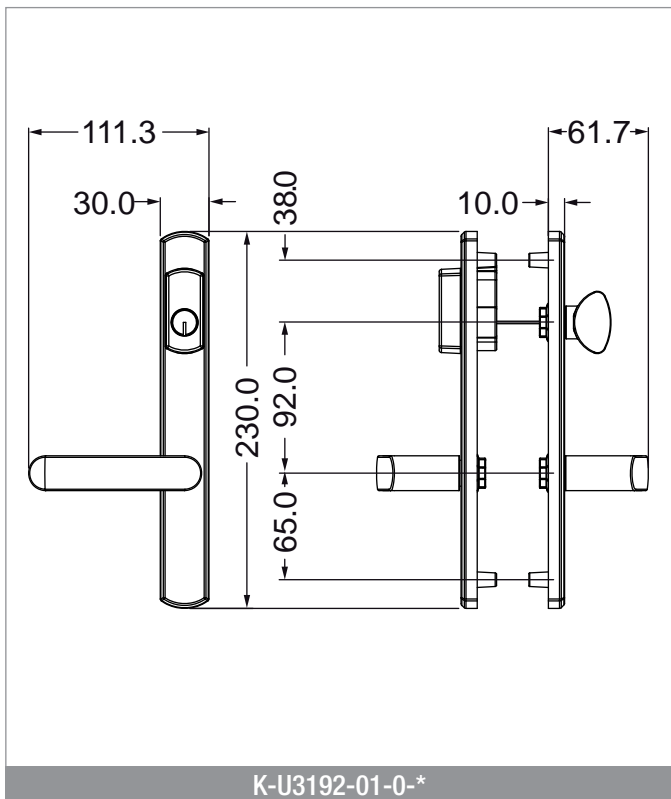
Door Multi-point Locking System

Handle Set Dimensions for Venice Handle & 45mm Plate Series

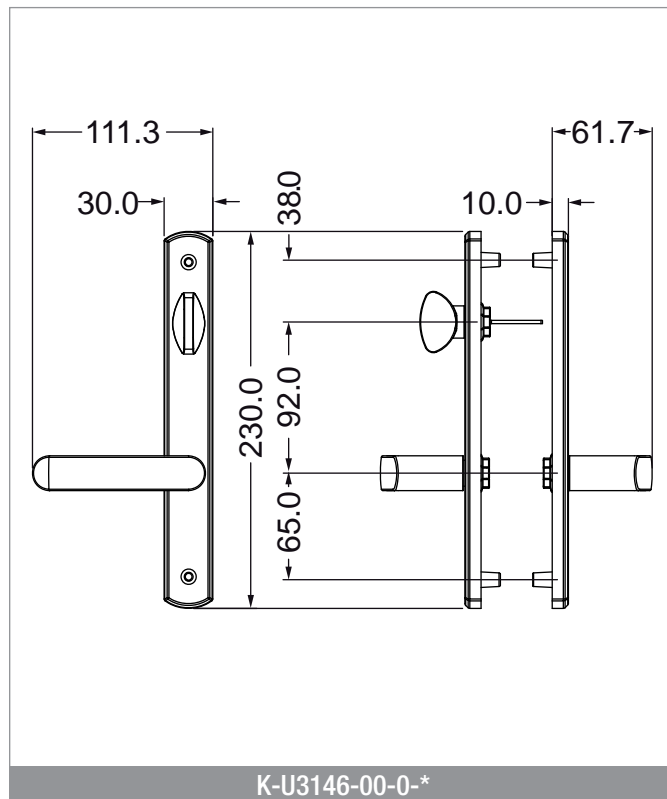


Door Multi-point Locking System

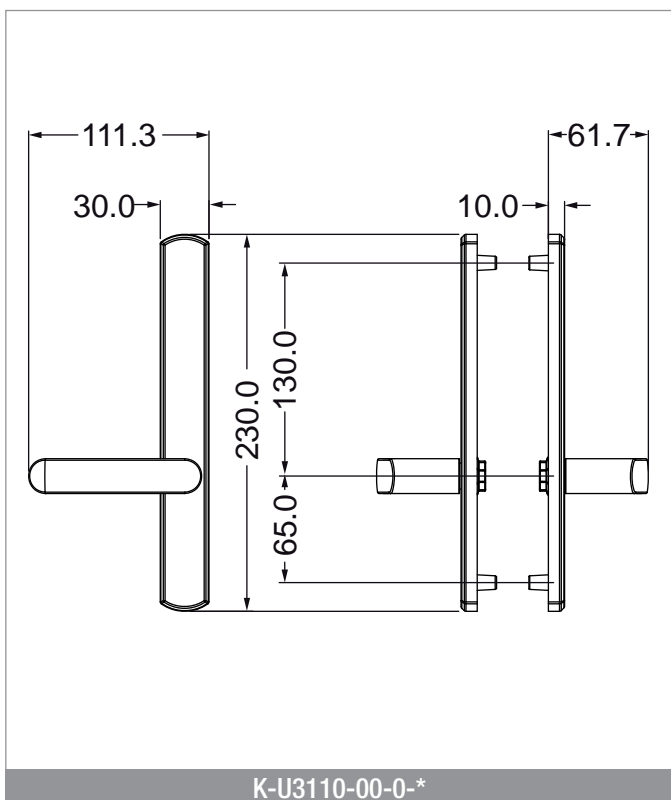
Handle Set Dimensions for Allegro Handle & 30mm Plate Series



K-U3192-01-0-*



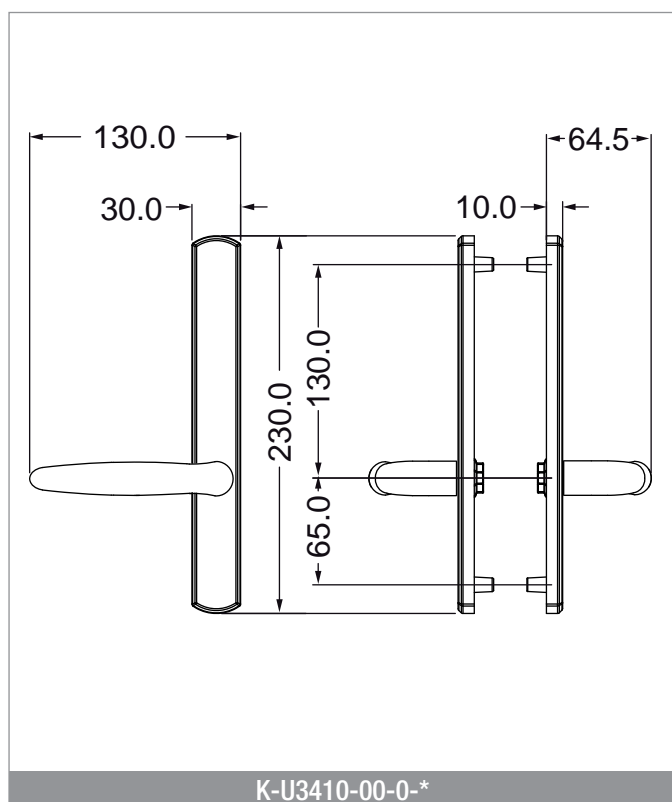
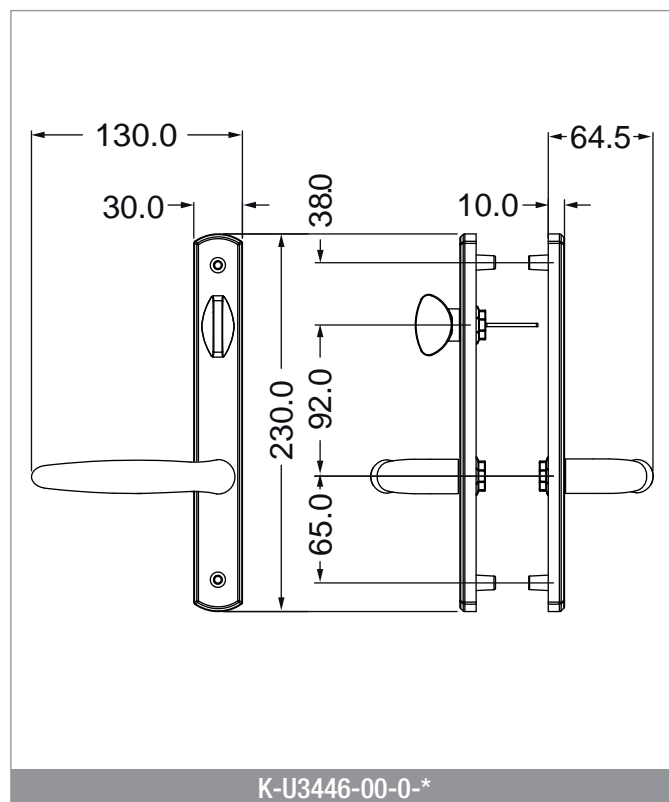
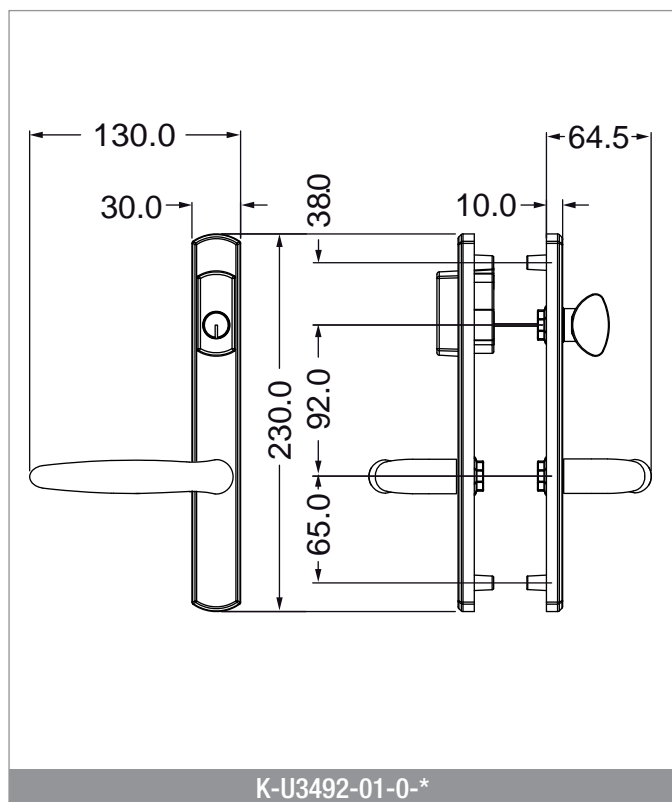
K-U3146-00-0-*



K-U3110-00-0-*

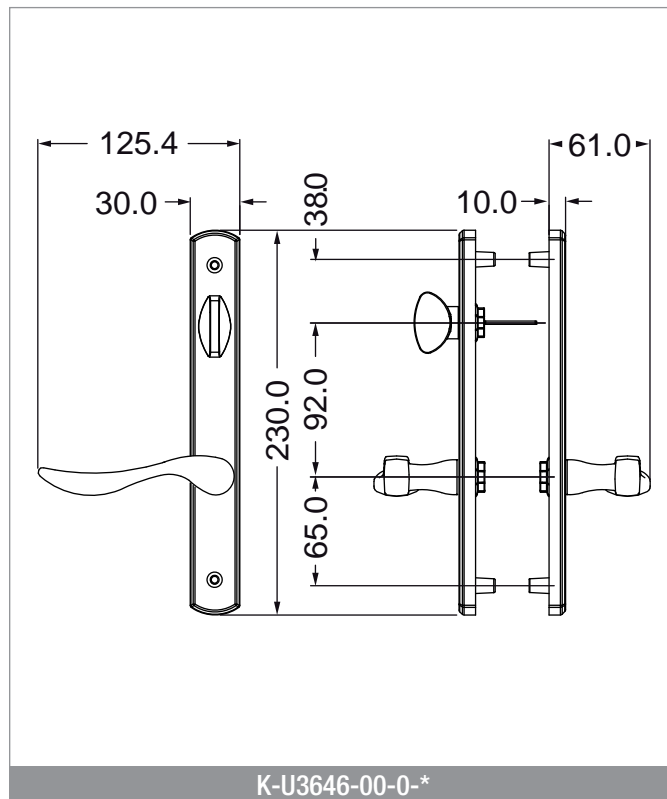
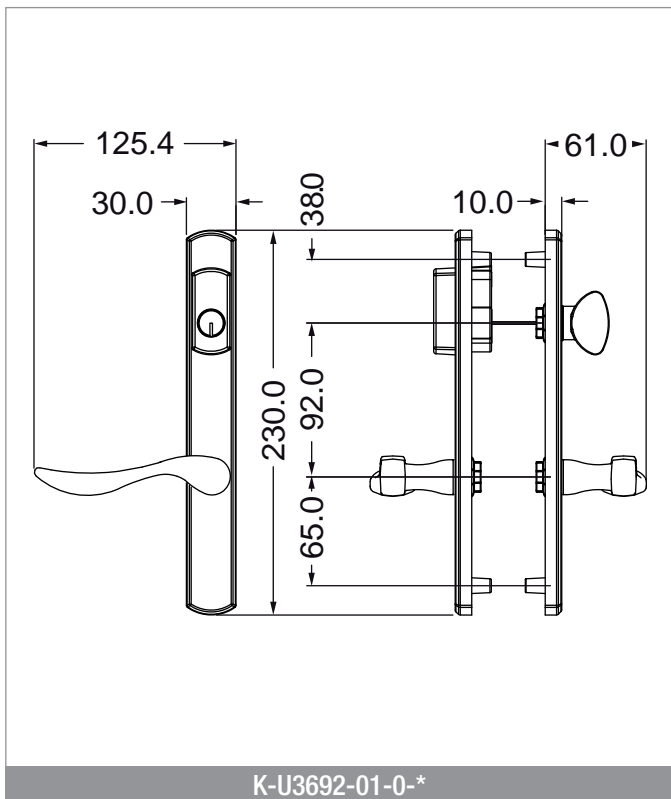
Door Multi-point Locking System

Handle Set Dimensions for Torino Handle & 30mm Plate Series

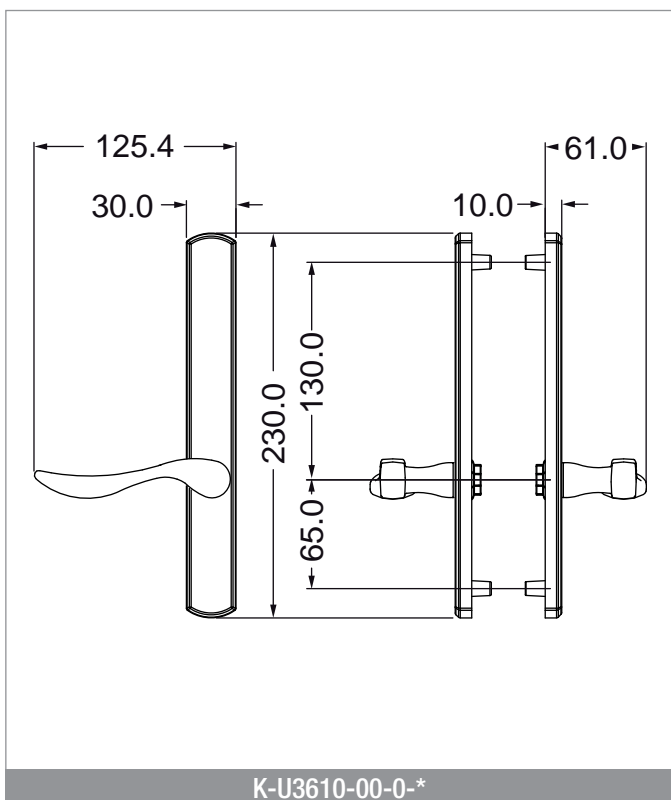


Door Multi-point Locking System

Handle Set Dimensions for Venice Handle & 30mm Plate Series

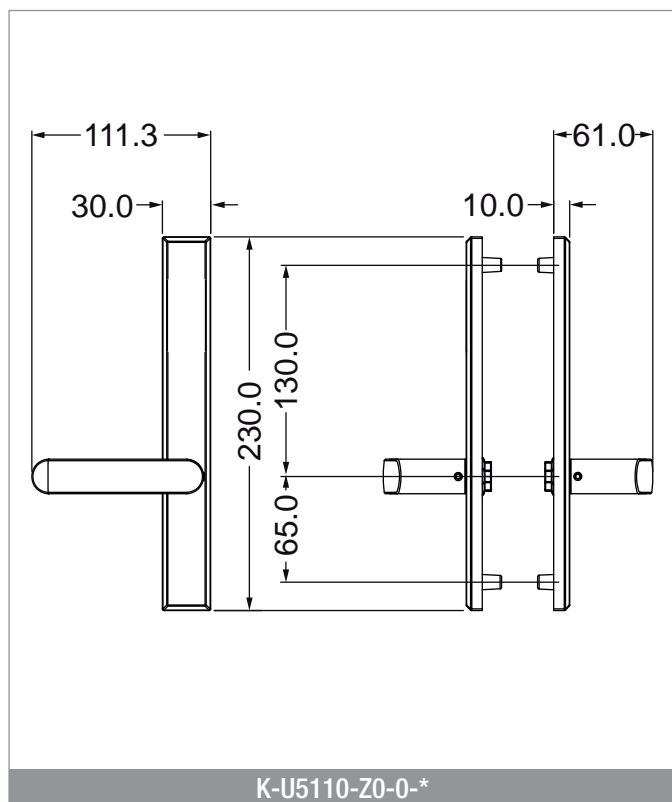
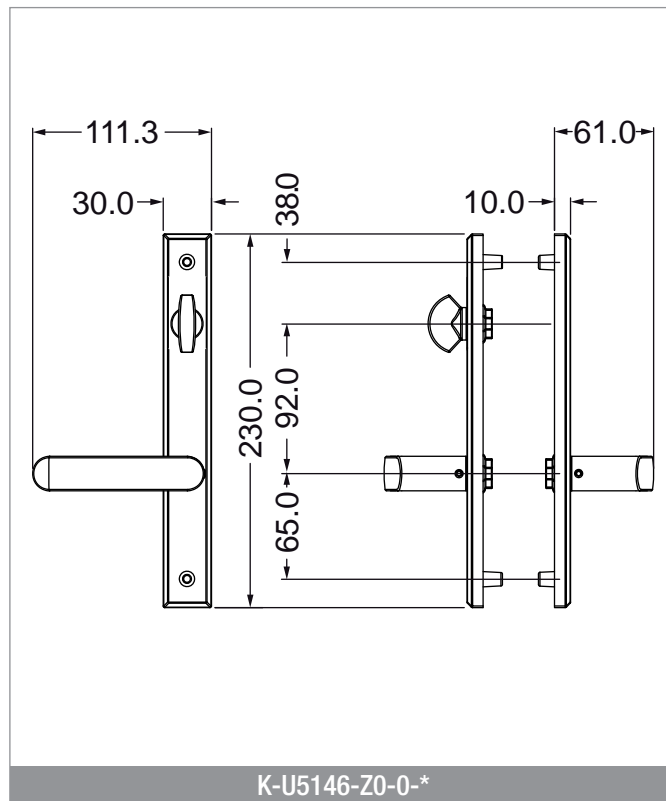
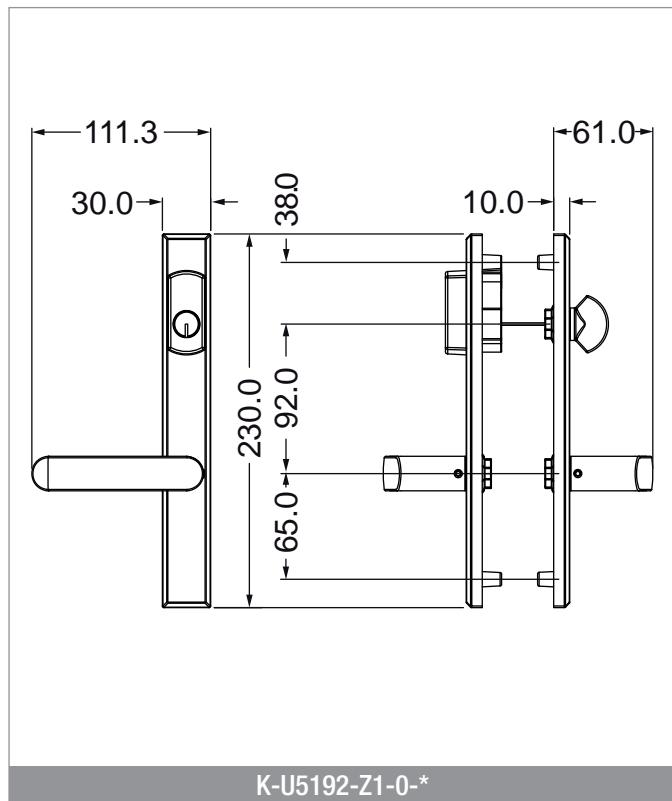


03
1



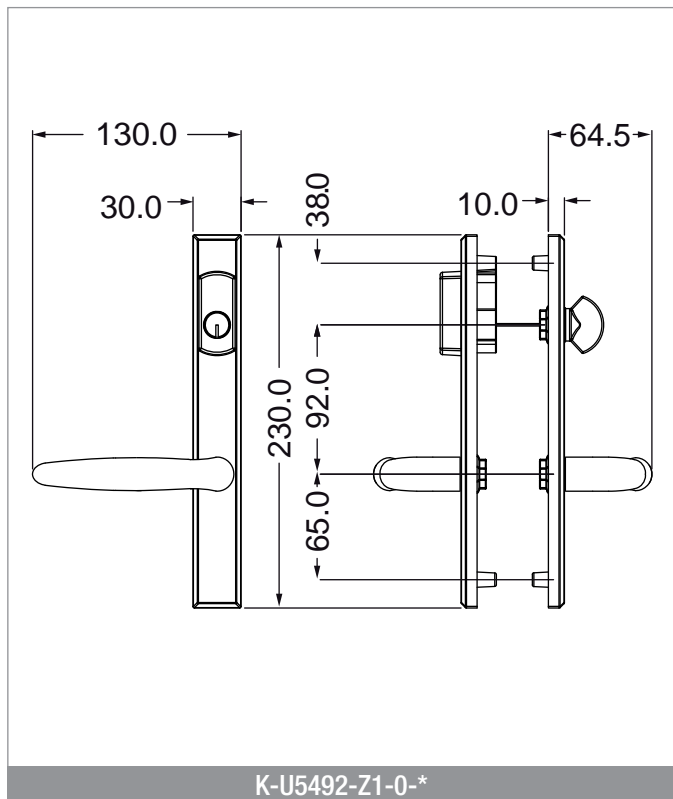
Door Multi-point Locking System

Handle Set Dimensions for Allegro Handle & 30mm Plate Series

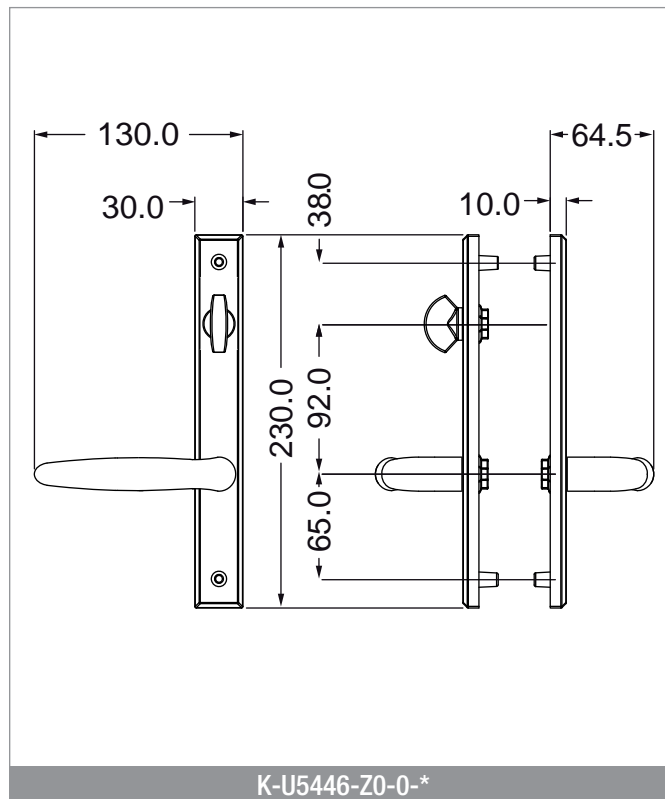


Door Multi-point Locking System

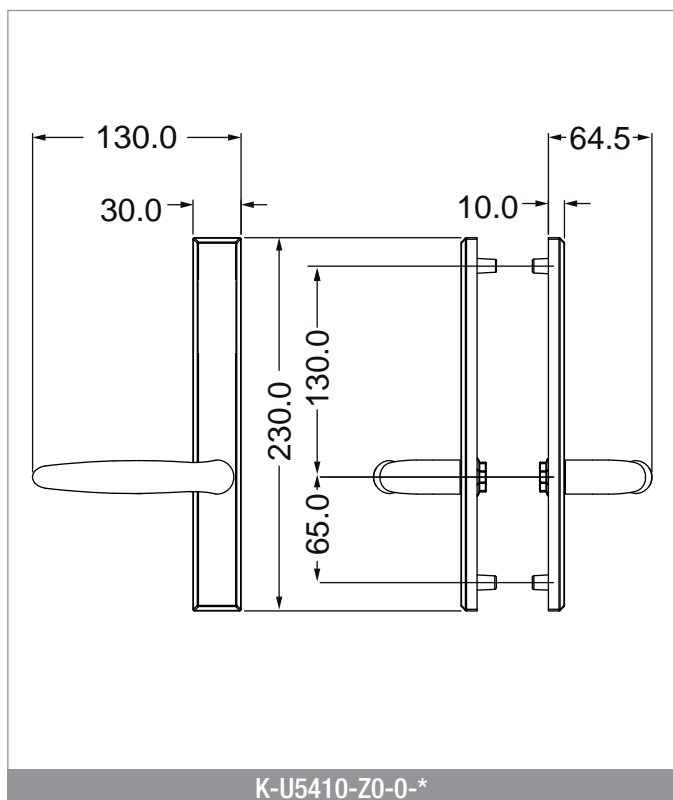
Handle Set Dimensions for Torino Handle & 30mm Plate Series



K-U5492-Z1-0-*



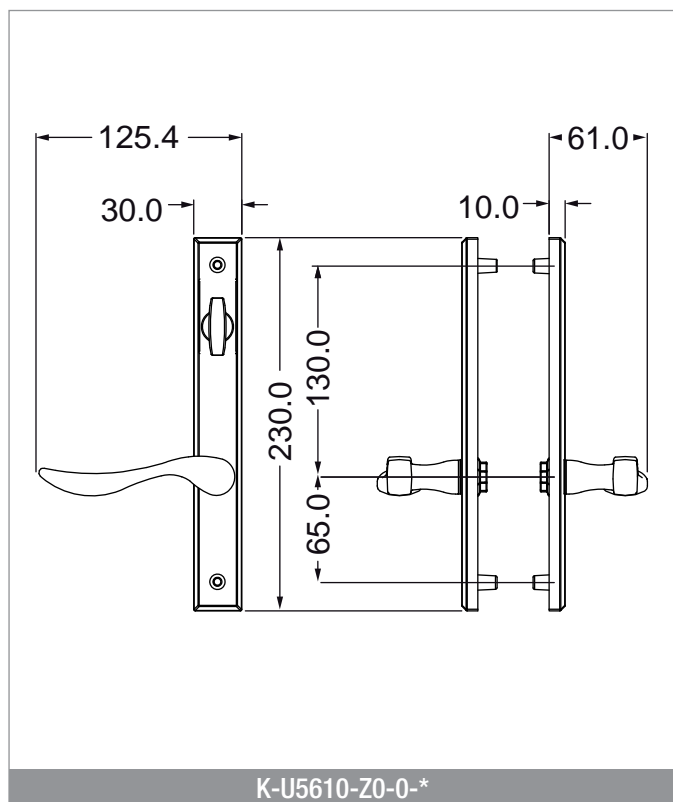
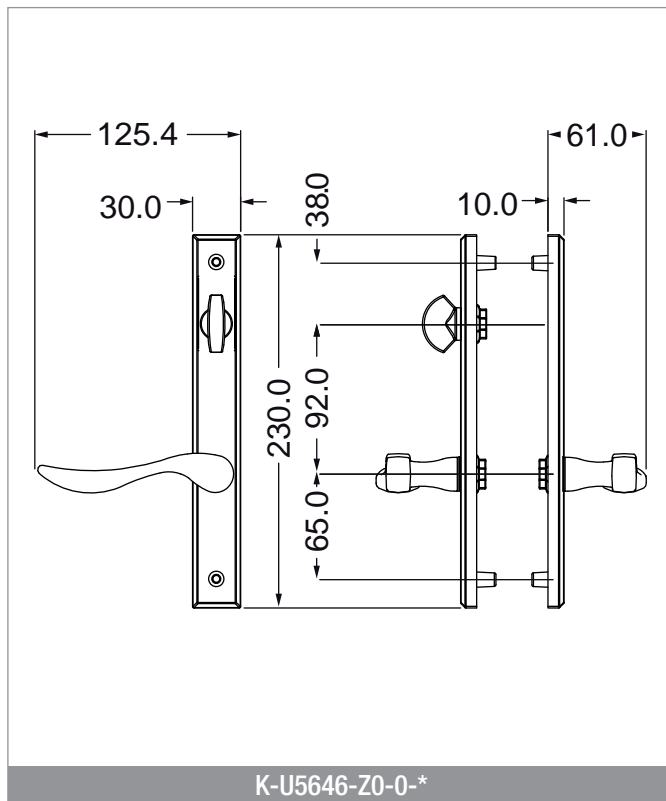
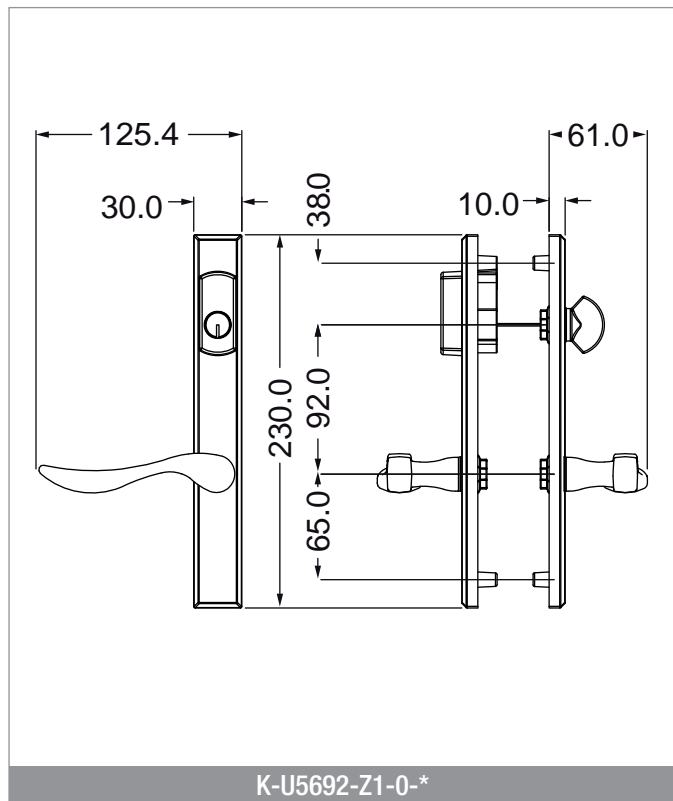
K-U5446-Z0-0-*



K-U5410-Z0-0-*

Door Multi-point Locking System

Handle Set Dimensions for Venice Handle & 30mm Plate Series



Door Multi-point Locking System

Handle Set Cutout CNC Version

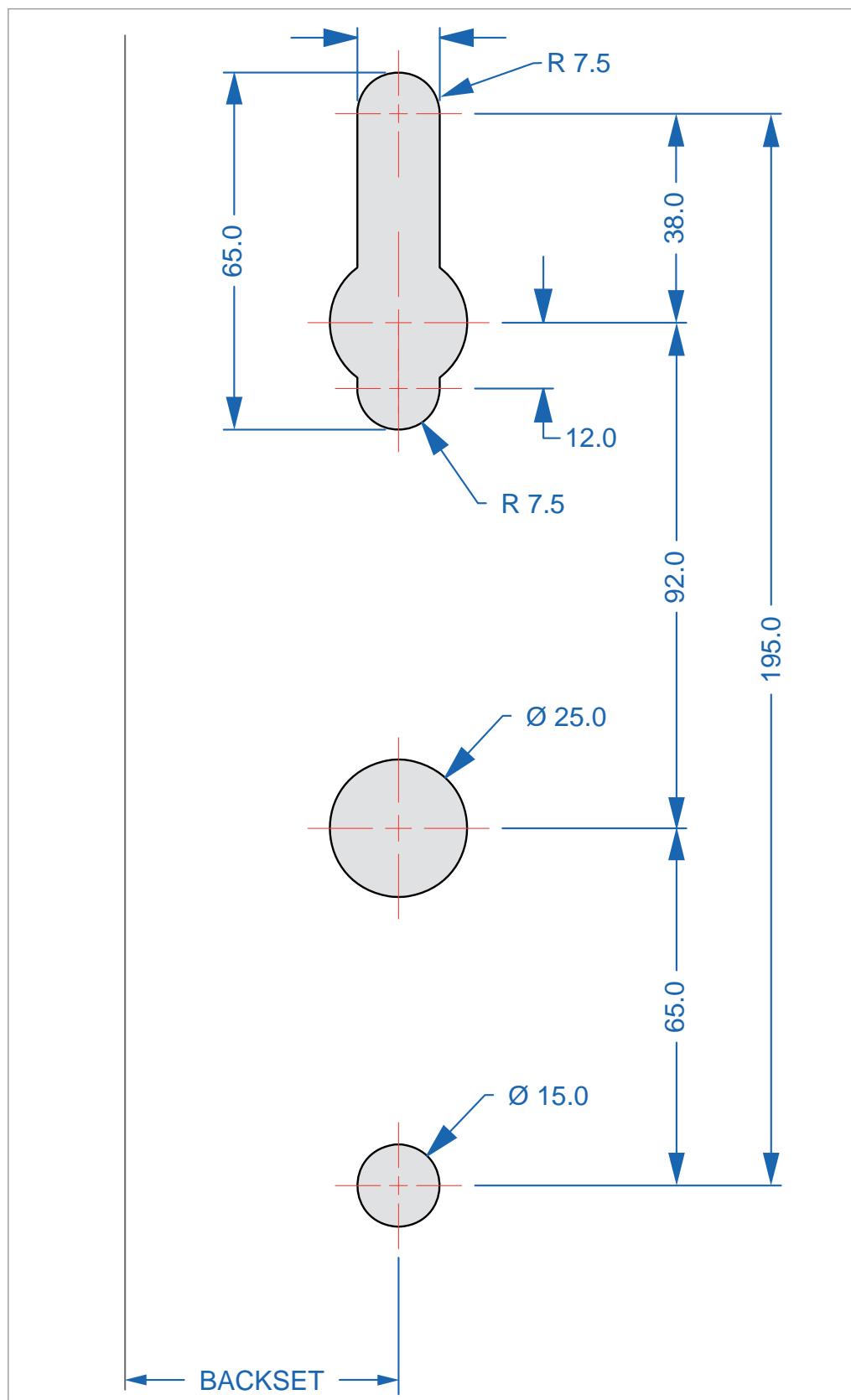


Handle Below

K-U3192-01-0-*
K-U3492-01-0-*
K-U3692-01-0-*
K-U6292-01-0-*
K-U6492-01-0-*
K-U6692-01-0-*

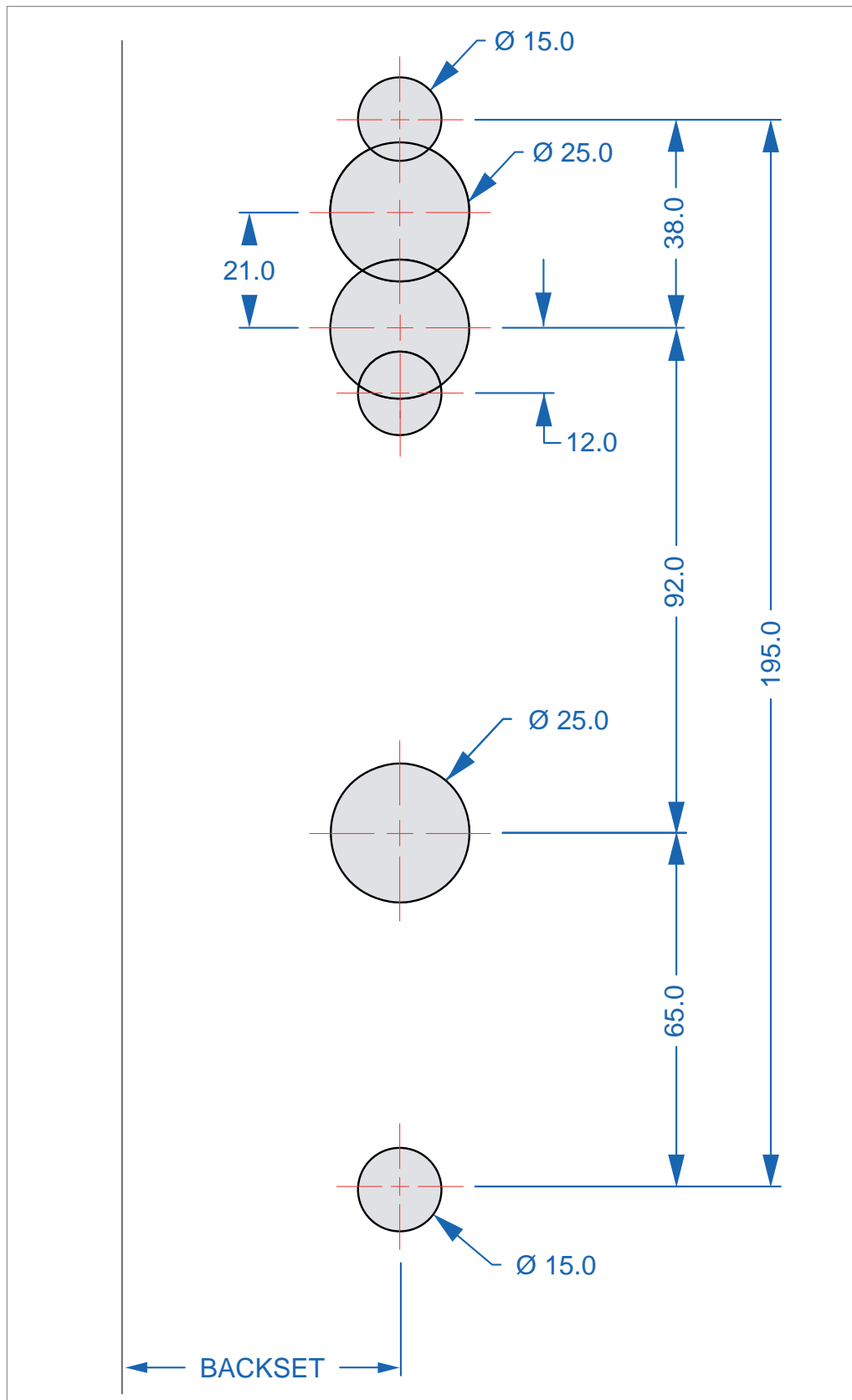
K-U5192-Z1-0-*
K-U5492-Z1-0-*
K-U5692-Z1-0-*
K-U7292-Z1-0-*
K-U7492-Z1-0-*
K-U7692-Z1-0-*

03
1



Door Multi-point Locking System

Handle Set Cutout Hand Drilling Version



Handle Below

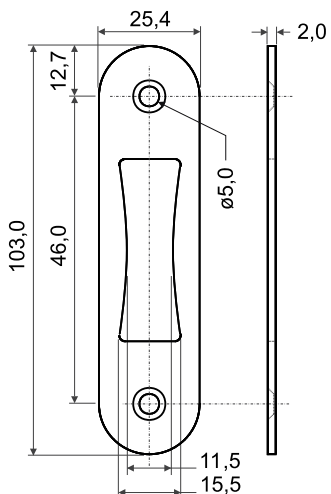
K-U3192-01-0-^{*}
K-U3492-01-0-^{*}
K-U3692-01-0-^{*}
K-U6292-01-0-^{*}
K-U6492-01-0-^{*}
K-U6692-01-0-^{*}

K-U5192-Z1-0-^{*}
K-U5492-Z1-0-^{*}
K-U5692-Z1-0-^{*}
K-U7292-Z1-0-^{*}
K-U7492-Z1-0-^{*}
K-U7692-Z1-0-^{*}



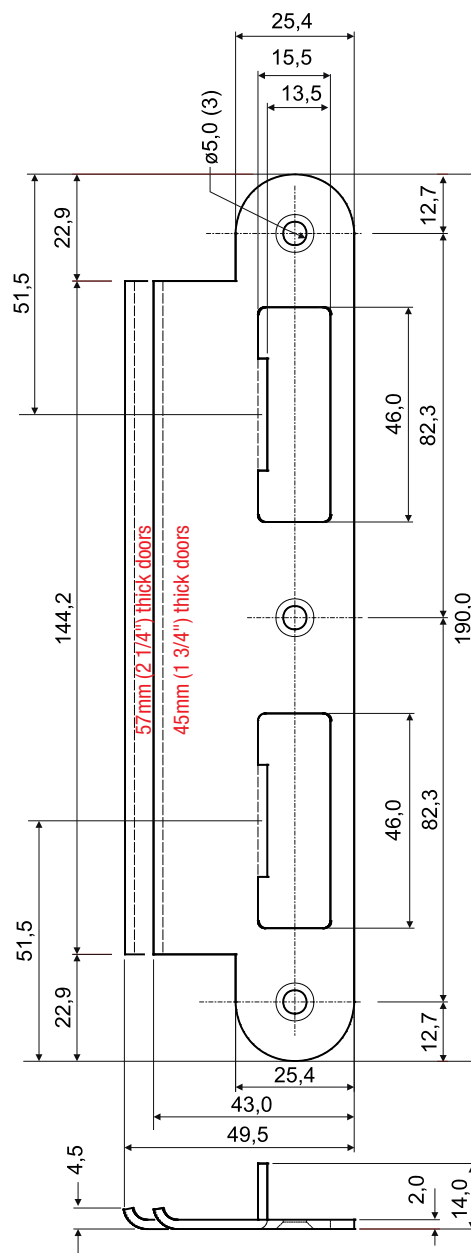
Top & Bottom Keeper

Description	Part Number
Keeper for doors	9-C4776-00-0-*



Middle Keeper

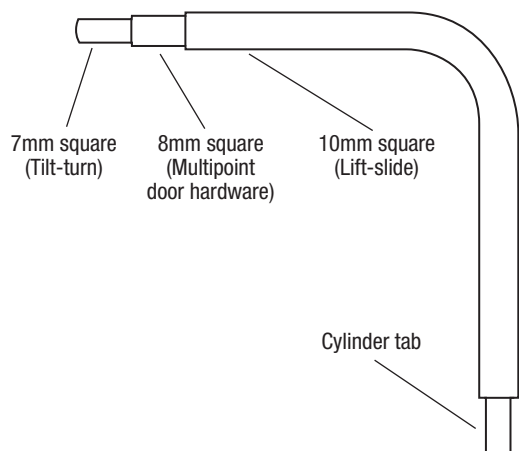
Description	Part Number
Keeper for 45mm (1 3/4") thick doors	9-C4777-45-0-*
Keeper for 57mm (2 1/4") thick doors	9-C4777-57-0-*





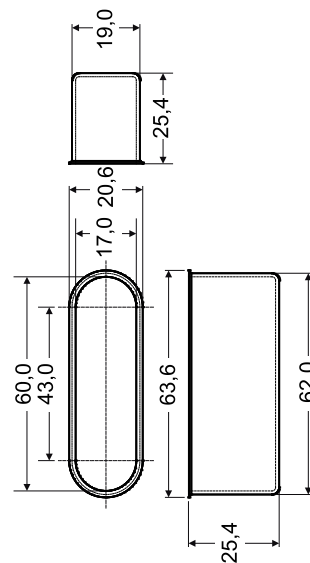
Construction Key

Description	Part Number
Construction key	9-U0001-01-0-0



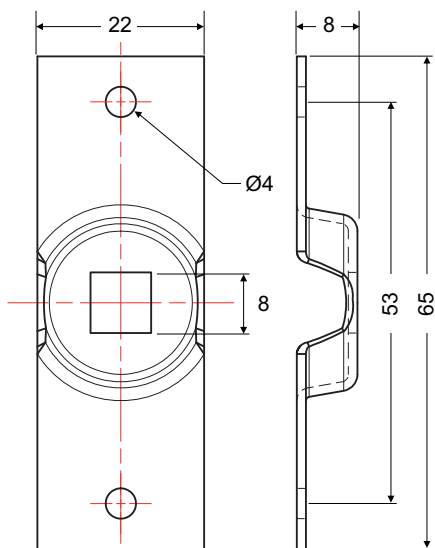
Plastic Cup - With Edge

Description	Part Number
Plastic cup	9-C4765-00-0-6



Fixing for Dummy Handles

Description	Part Number
Fixing plate	6-C0800-03-0-0



Plastic Cup - No Edge

Description	Part Number
Plastic cup	9-C4765-00-A-6

