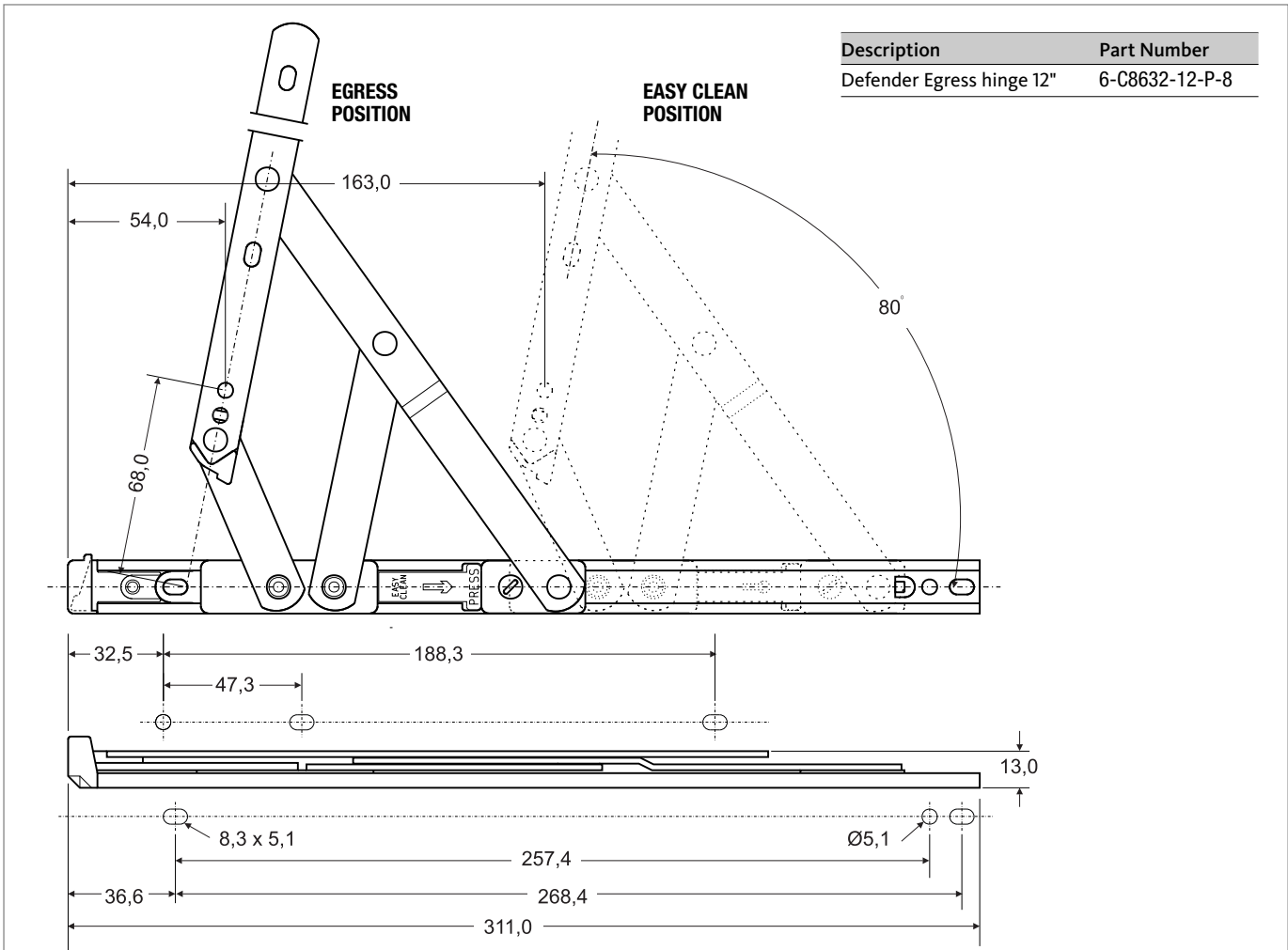
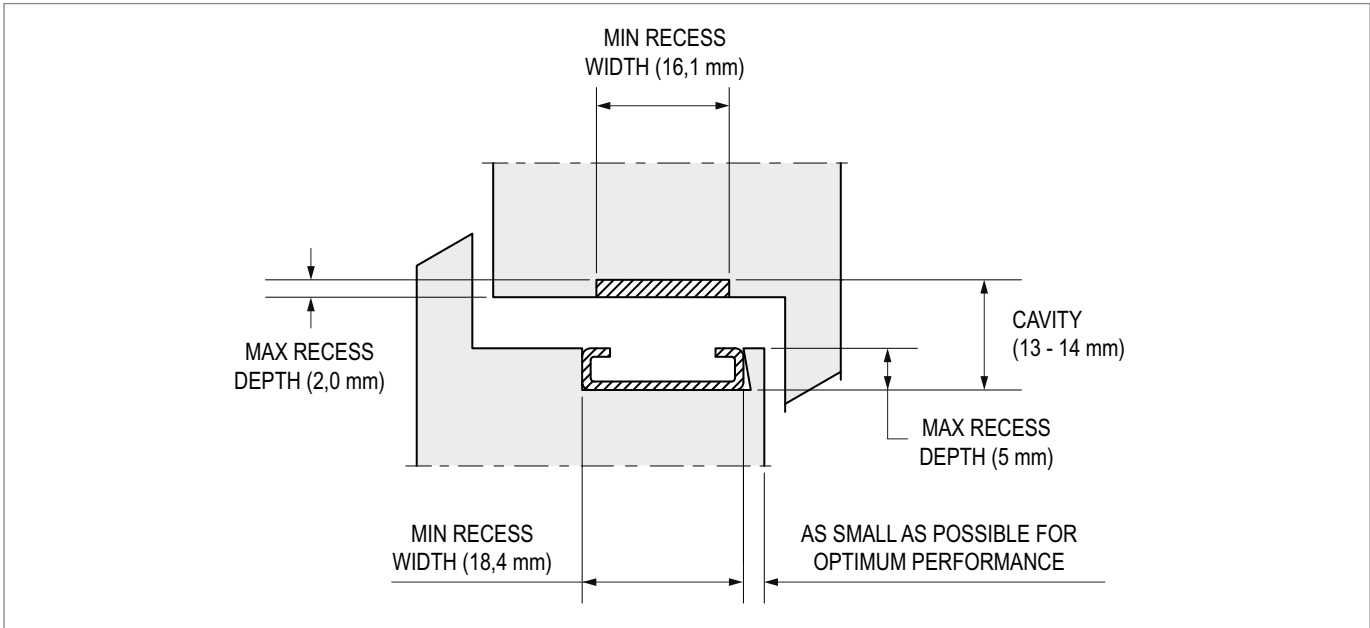


Securistyle Hinges

Defender Egress Friction Hinges 12" and 16"

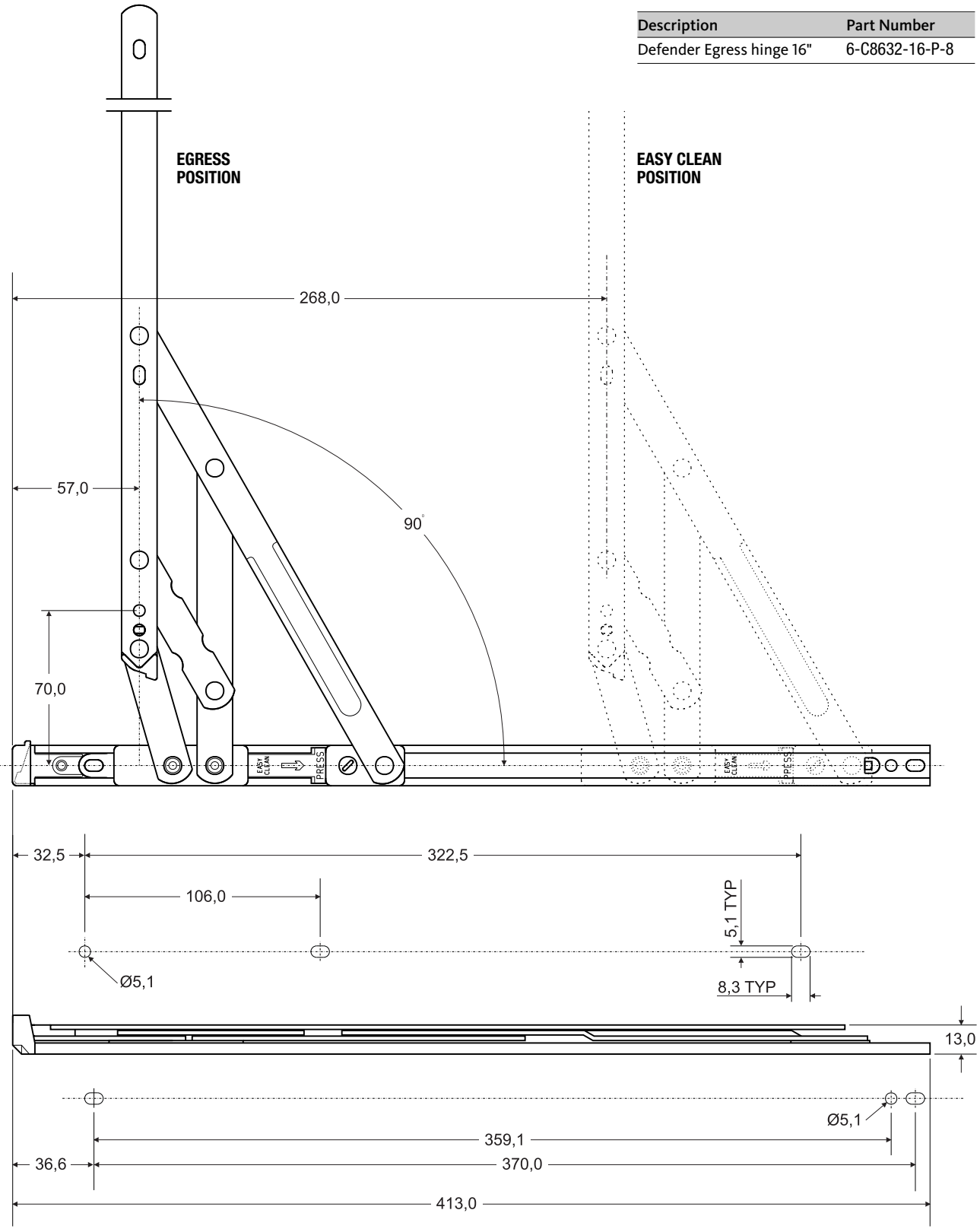


Securistyle Hinges

Defender Egress Friction Hinges 12" and 16"



Description	Part Number
Defender Egress hinge 16"	6-C8632-16-P-8



08
1