

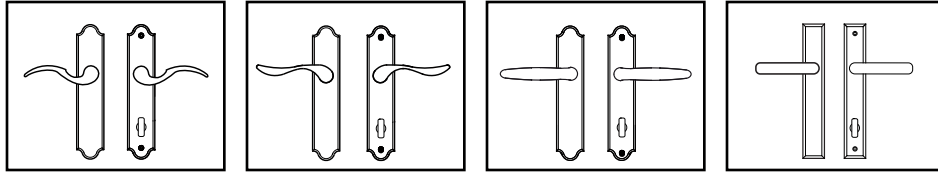
# INSTALLATION INSTRUCTIONS FOR SEMI-ACTIVE TRIM PLATES

K-C0617, K-C0627, KC-0667 & K-C0677

INSTRUCTIONS TYPE 5

**FERCO® GU**  
FERRURES DE BÂTIMENT INC. / ARCHITECTURAL HARDWARE INC.

## » HANDLE ABOVE ( LH SHOWN )

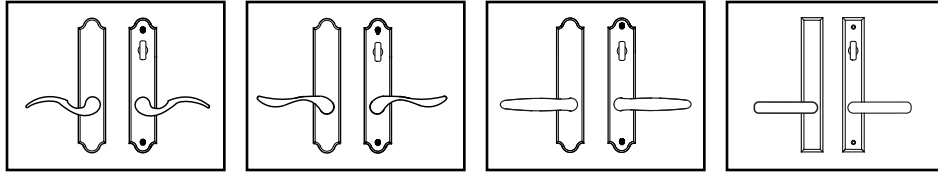


CAPRI

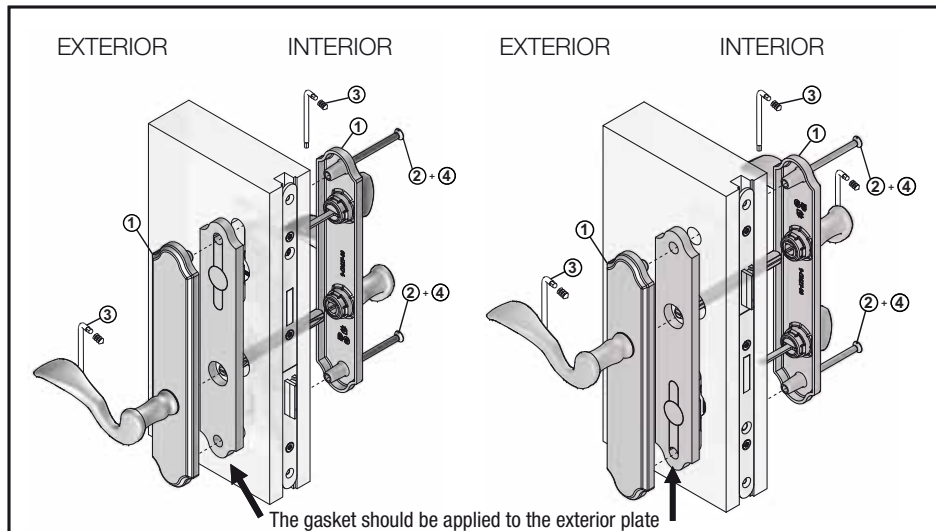
VENICE

TORINO

ALLEGRO

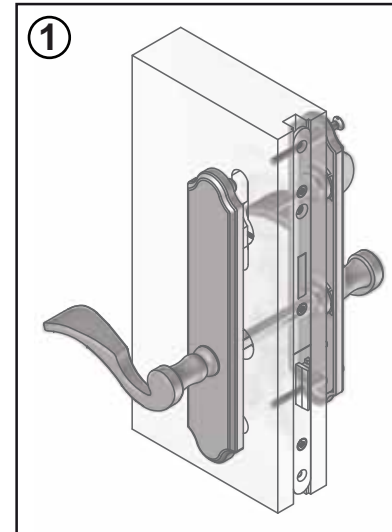


## » HANDLE BELOW ( LH SHOWN )

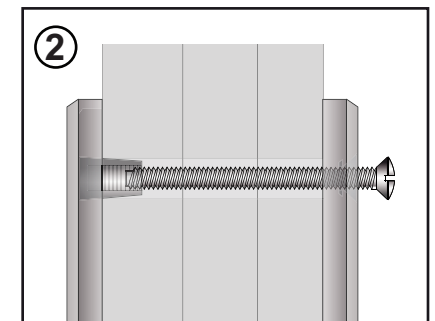
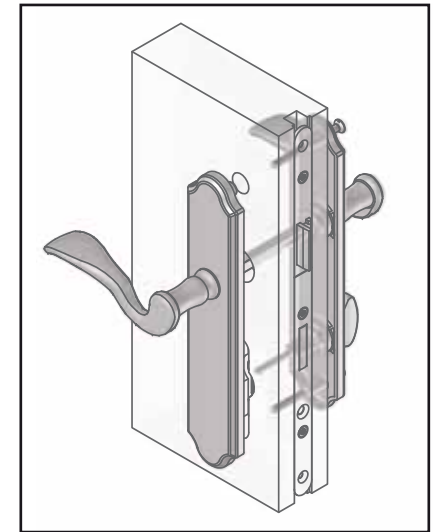


## TROUBLESHOOTING

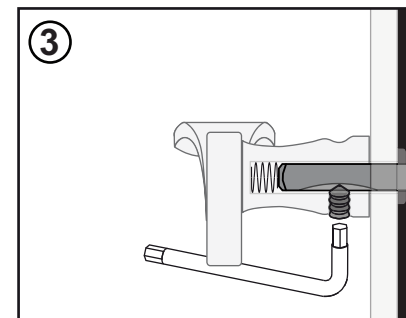
- **HANDLE IS HARD TO PRESS OR LIFT**  
Although some tension is required to activate the mechanism, excessive force should not be required.
  - Loosen the installation screws ¼ turn at a time.
  - Re-adjust the handle by unscrewing the set screw on one of the handles.
- **PLATES ARE NOT TIGHT AGAINST THE DOOR**
  - Installation screws are probably too long, file them down in short steps.



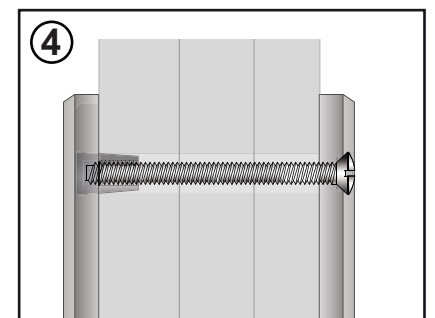
Position the exterior handle assembly into the holes and push the spindle through the door gear. Handle should point towards the hinge side. Position the interior handle assembly with the spindle. Handle should point towards the hinge side.



Fasten with two installation screws. Don't fully tighten yet.



Tighten the set screw only after full assembly of handle kit on both sides of the door. Test operation of the handle.



Fully tighten the 2 installation screws and re-test operation of the handle and knob.